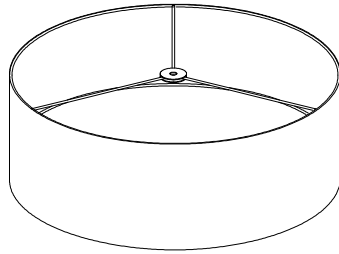
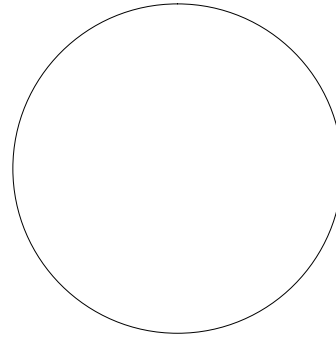


① metal lampshade 1pcs



② fabric lampshade 1pcs



③ bottom plate 1pcs



X 1PCS



X 1PCS



X 3PCS



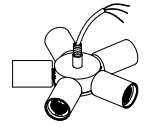
X 3PCS



X 3PCS



X 3PCS



④ light fixture 1pcs



⑥ short hanging tube 1pcs



⑤ threaded rod 1pcs



⑦ long hanging tube 4pcs



⑧ threaded rod 4pcs



⑩ carabiner hook screw connection 1pcs

⑨ hanging tube 1pcs

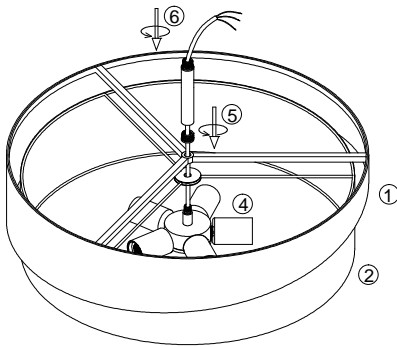


⑪ canopy 1pcs

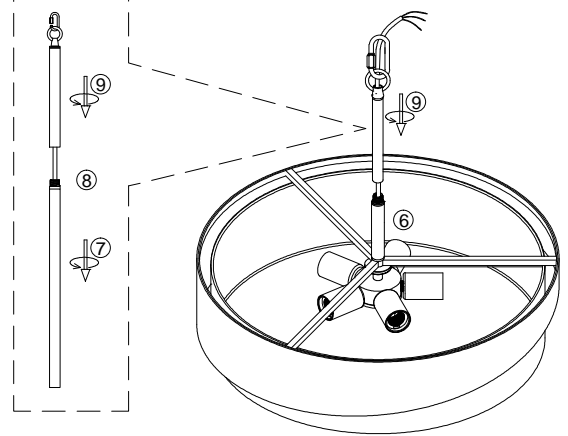
⑫ cap nut 2pcs



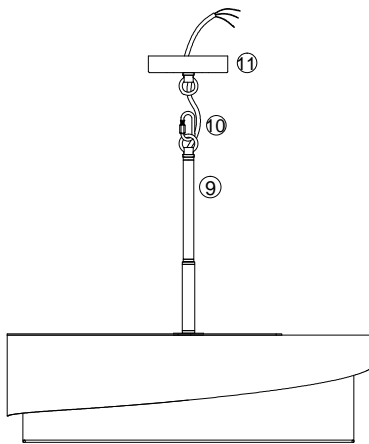
Please operate with gloves to avoid leaving stains on the lampshade.



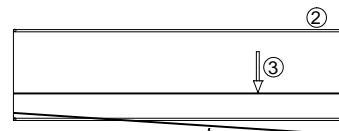
1. Let the wire of the fixture ④ go through the metal lampshade ①, fabric lampshade ② and threaded rod ⑤, rotate threaded rod ⑤ to fix all parts to the fixture.
2. Rotate to install the short tube ⑥ to the fixture.



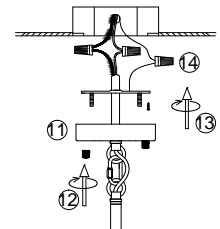
3. Let the wire go through the hanging tube ⑦ and tube ⑨, rotate to install all parts to the fixture. (can connect more tubes to get suitable height you need)



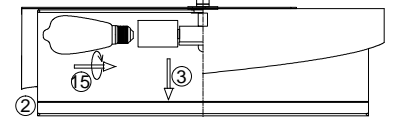
4. Hang the fixture to the canopy ⑪ with carabiner hook screw connection ⑩, let the wire go through the ring 10 and canopy ⑪.



Put the bottom plate ② at an angle into the fabric lampshade ①, then adjust it to level.



5. Install the bracket to the ceiling junction box with screw ⑬.
6. Connect the wire to your home line with cap connector ⑭.
7. Install the fixture to the bracket with cap nut ⑫.
8. Install the bulb ⑮, put the bottom plate ② to the lampshade.



Please read carefully before installation!!!

Note : Please make sure that the electricity is powered off during installation !

Only a professional electrician should install this kind of product !