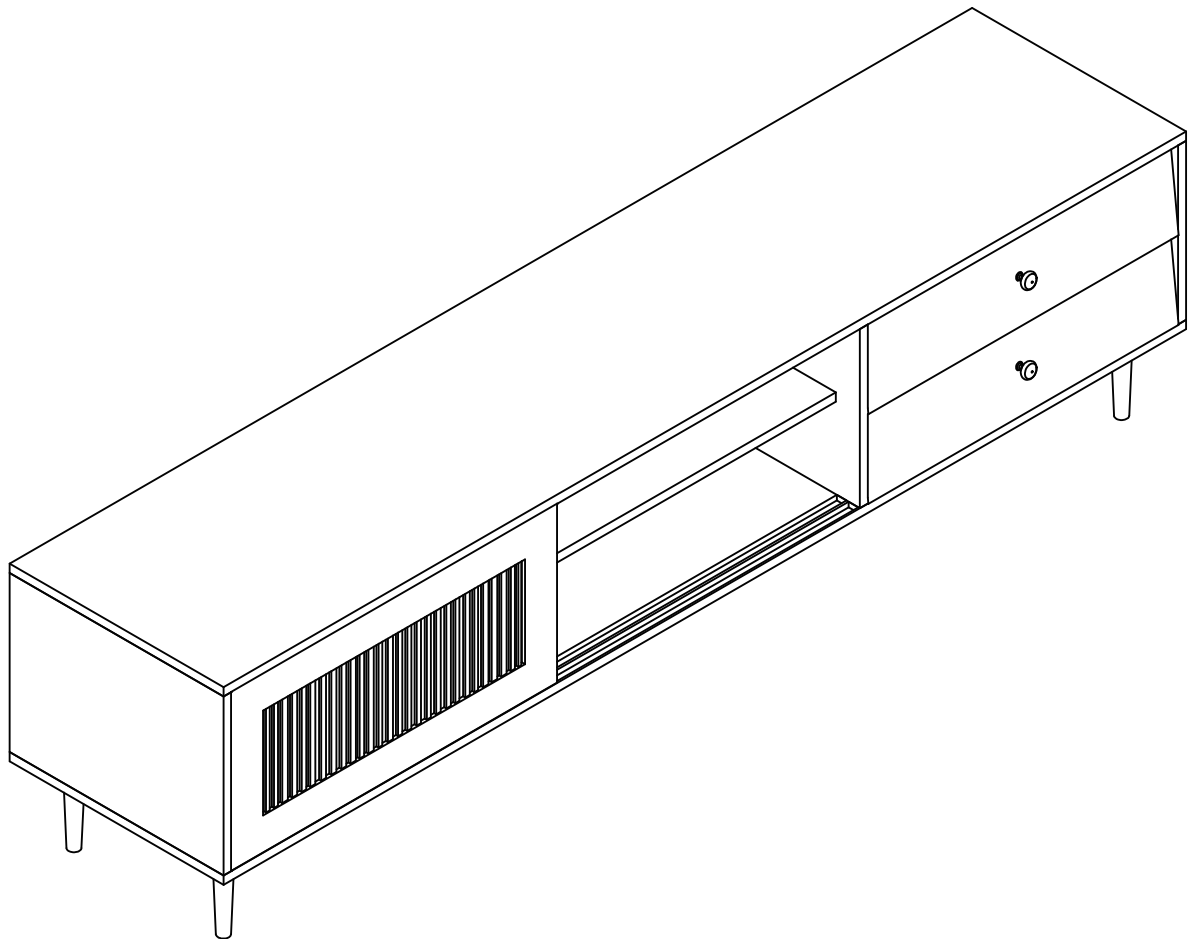


# TV STAND

Assembly Instructions - Please keep for future reference



## Dimensions

Width-70.86inch

Depth-15.7inch

Height-17.7inch

Important – Please read these instructions fully before starting assembly



# Safety and Care Advice

**Important – Please read these instructions fully before starting assembly**

- Check you have all the components and tools listed on the following pages.
- Remove all fittings from the plastic bags and separate them into their groups.
- Keep children and animals away from the work area, small parts could choke if swallowed.
- Make sure you have enough space to layout the parts before starting.

- During assembly do not stand or put weight on the product, this could cause damage.
- Assemble the item as close to its final position (in the same room) as possible.
- Assemble on a soft level surface to avoid damaging the unit or your floor.
- Parts of the assembly will be easier with 2 people.



power drill is set on a low torque setting.

- To reduce the likelihood of damaging your product please ensure that your

## Care and maintenance

- Only clean using a damp cloth and mild detergent, do not use bleach or abrasive cleaners.
- From time to time check that there are no loose screws on this unit.
- This product should not be discarded with household waste. Take to your local authority waste disposal centre.

## Handy Hints

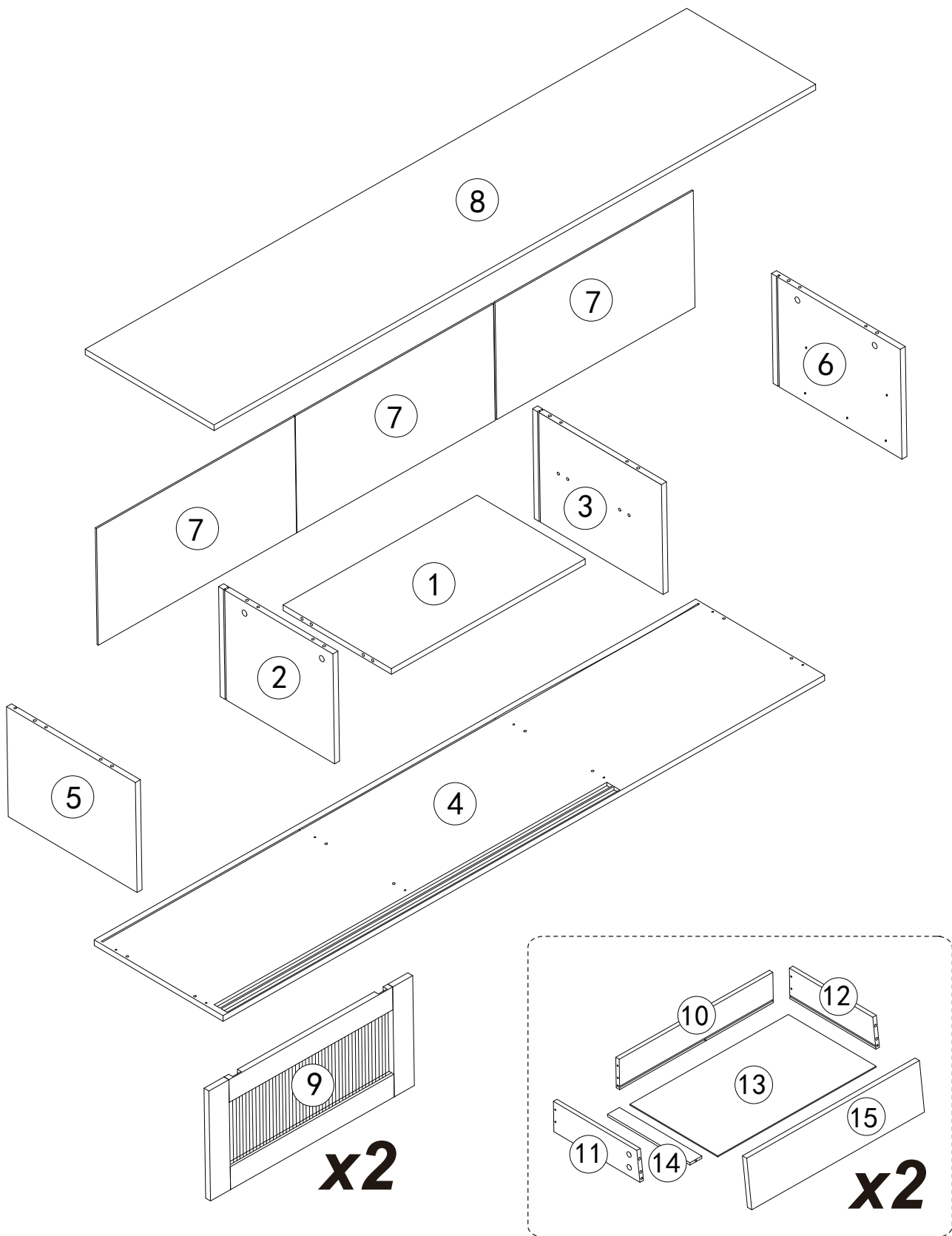
- Assemble all parts and bolts loosely during assembly, only once the product is complete should you fully tighten the bolts
- Regularly check and ensure That all bolts and fittings are tightend properly.

## **WARNING** In order to help prevent overturning – please follow these instructions

To help prevent product toppling over please follow the below steps:-

- Use the anti tip stap or wall fixing method provided (if applicable)
- Do not allow children to climb or hang on the furniture
- Do not open more than one drawer at a time
- Do not place heavy items in the top drawers
- Do not place heavy items on top of the furniture, unless the furniture has been designed for this purpose

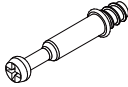

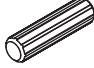





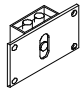
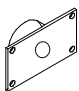

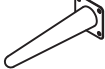

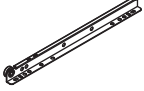
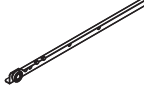


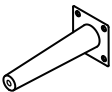
# Assembly Instructions



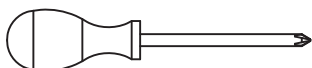
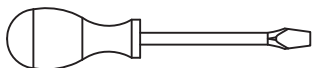
# Components - Fittings

Please check you have all the panels listed below

Note: The quantities below are the correct amount to complete the assembly. In some cases more fittings may be supplied than are required.

 Cam Bolt x 22	 Cam lock x 22	 Dowel x 20	 4*35mm Screw x 18
 3.5*12mm Screw x 48	 6*12mm Screw x 24	 4*18mm Screw x 2	 x 2
 x 4	 x 4	 x 2	 x 4
 Allen key x 1	 350mm runner x 2	 350mm runner x 2	 350mm runner x 2
 350mm runner x 2	 x 2		

## Tools required



Phillips screwdriver  
(medium & large)

Colloidal particles x 3\*12mm Screw x 12

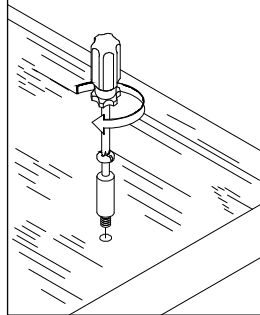
# Using Camlocks

## Step 1

Connect the male camlock as directed in the assembly instructions using a screwdriver.

1

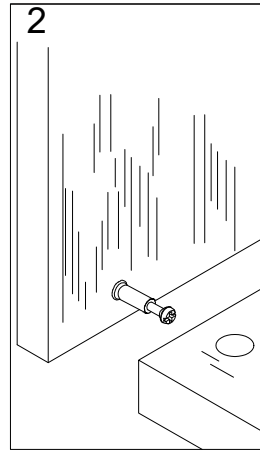
DO NOT OVER TIGHTEN.  
NE PAS SERRER EXCESSIVEMENT.



## Step 2

Push the male camlock into the entry hole.

2

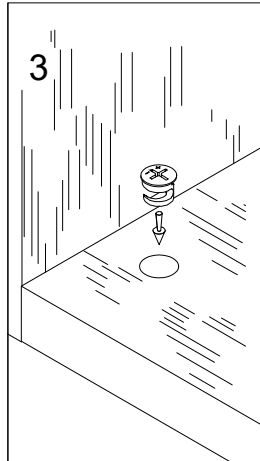


## Step 3

Insert the female camlock as shown in the instruction.

**Note:** ensure that the arrow on the top of the camlock points towards the entry hole for the male camlock.

3



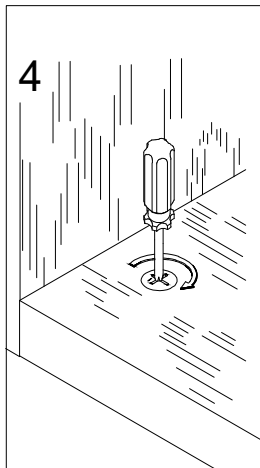
## Step 4

Turn the female camlock clockwise with a screwdriver.

You should feel a click when the camlock is locked in place.

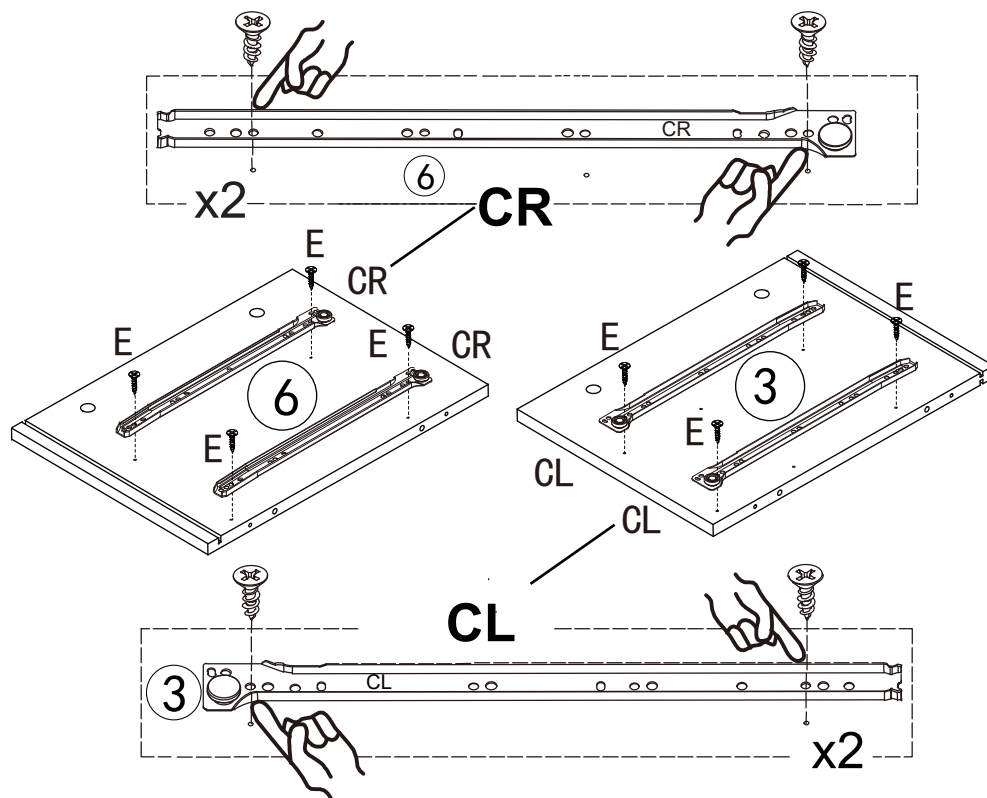
The joint is now secure.

4

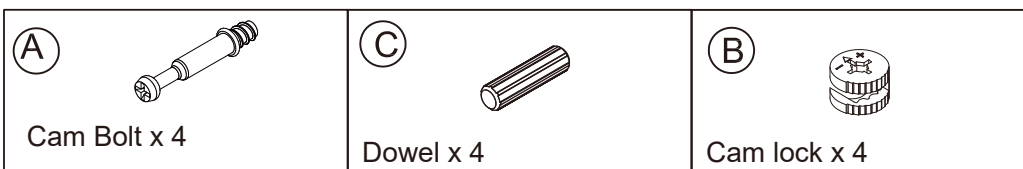
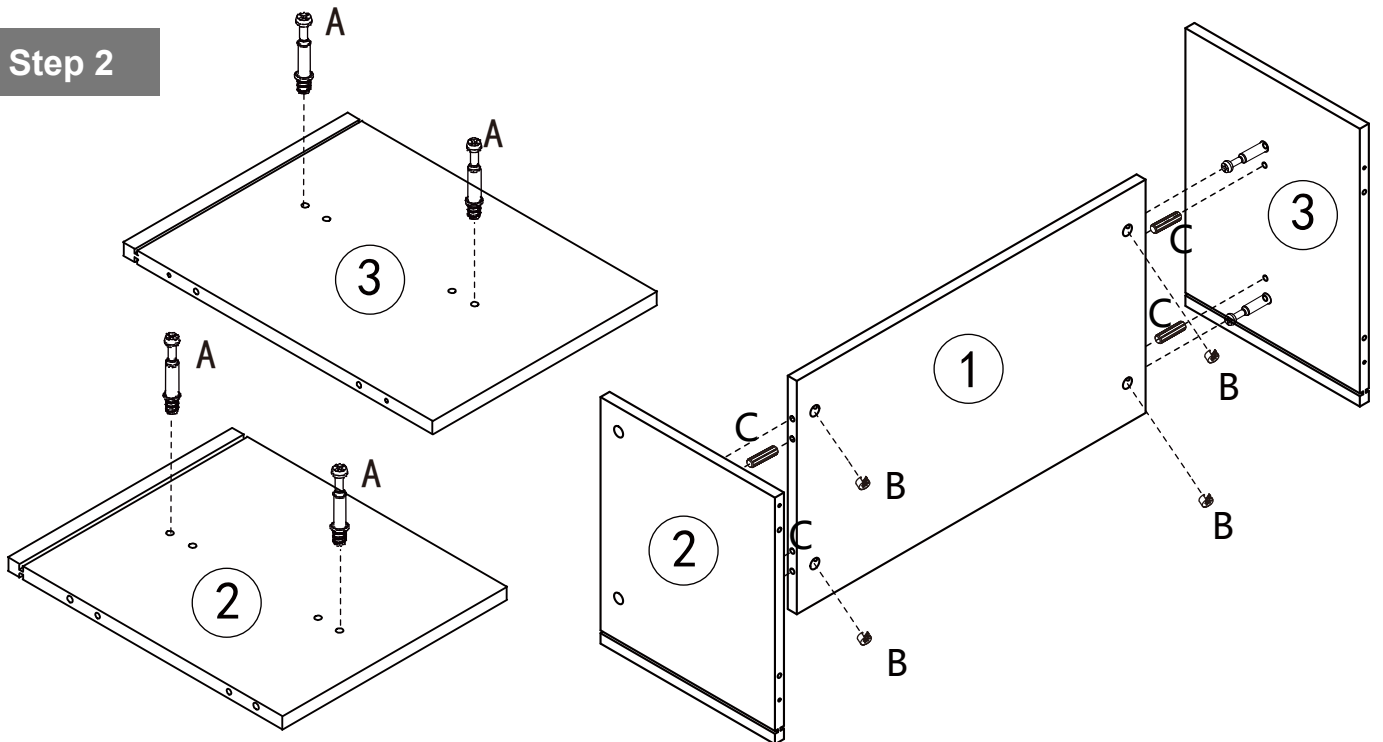


# Assembly Instructions

## Step 1

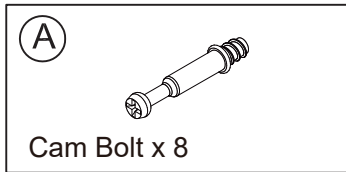
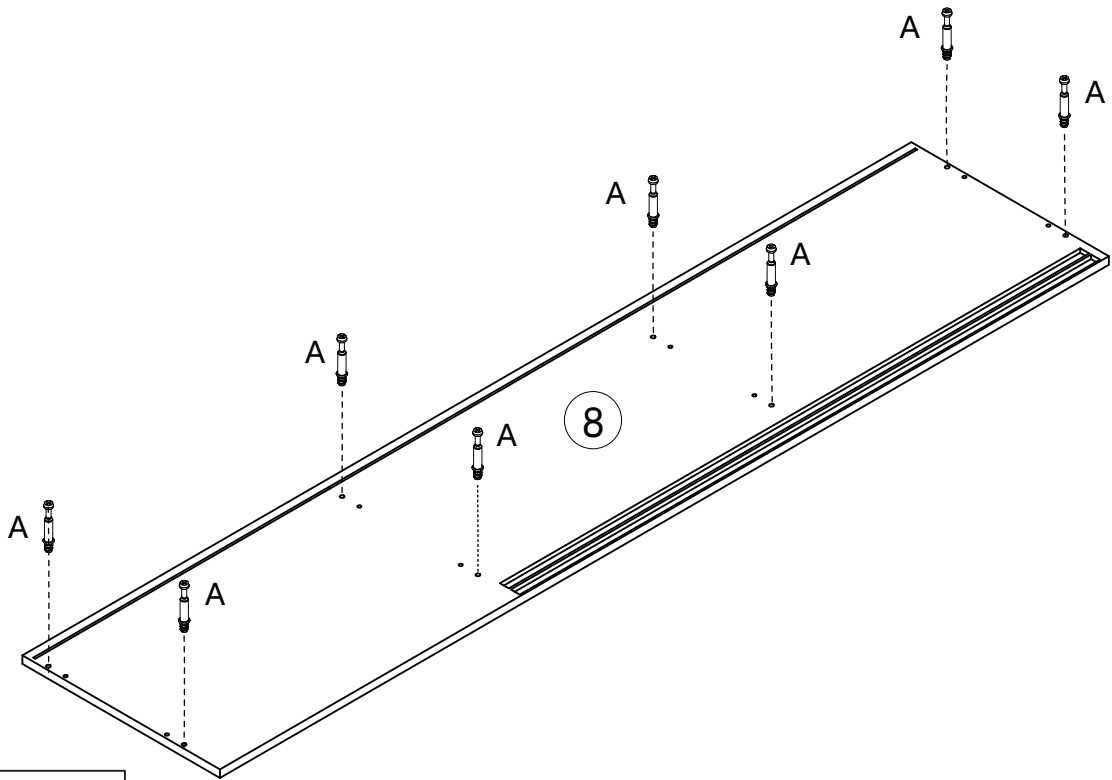


## Step 2

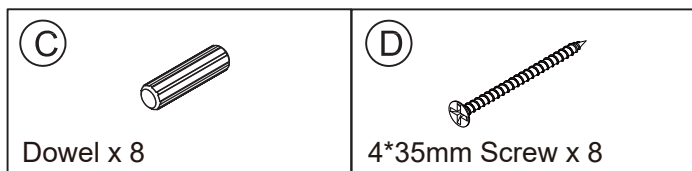
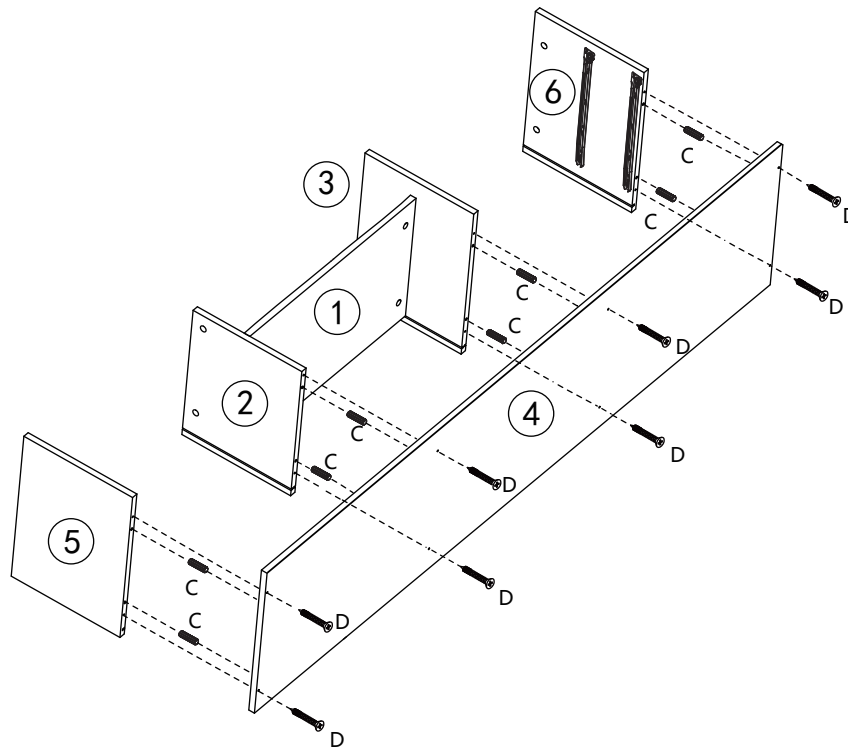


# Assembly Instructions

## Step 3

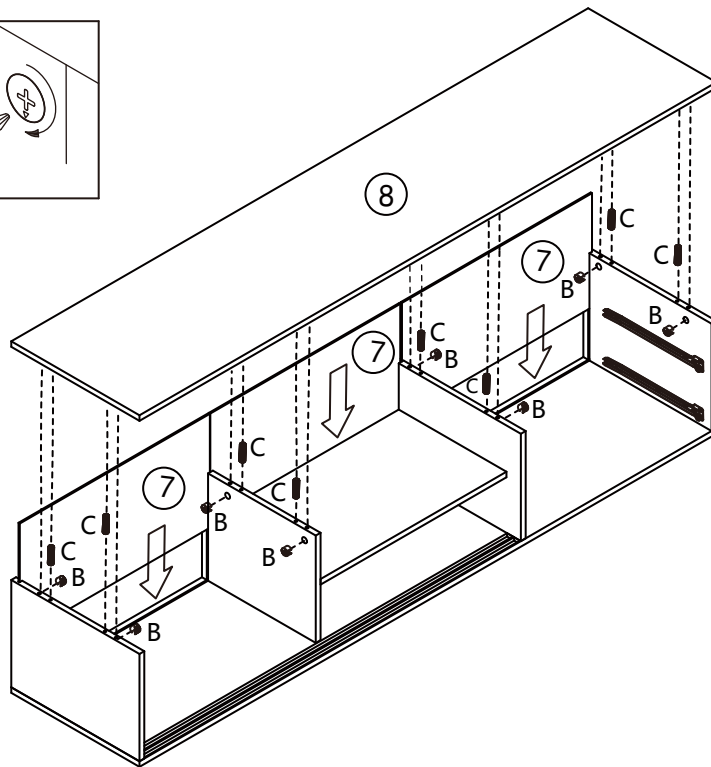
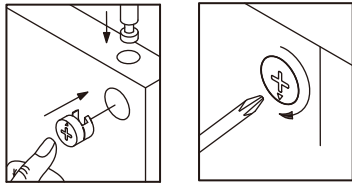


## Step 4



# Assembly Instructions

## Step 5



(C)



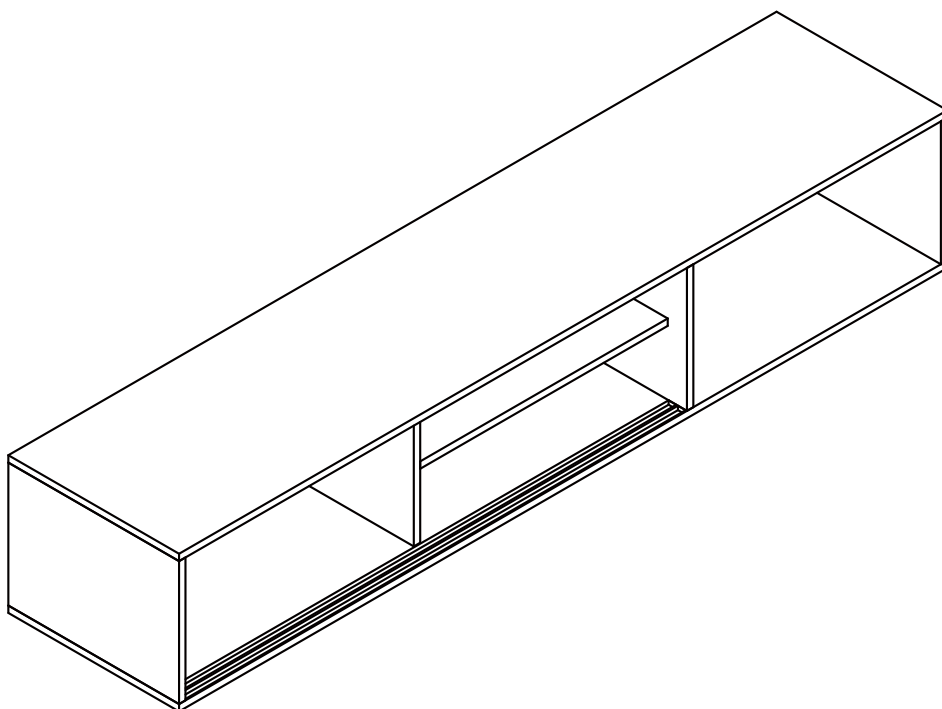
Dowel x 8

(B)



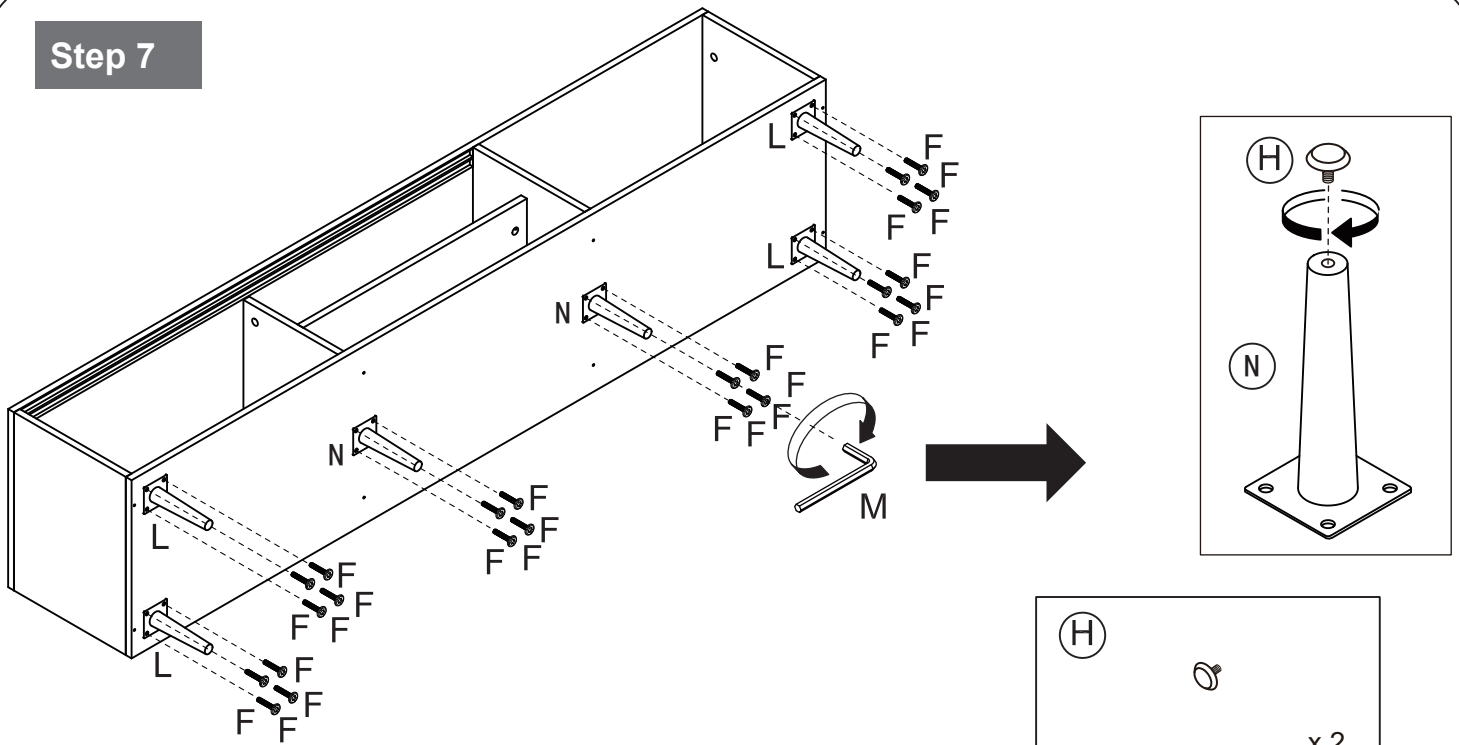
Cam lock x 8


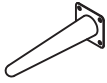


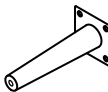
## Step 6



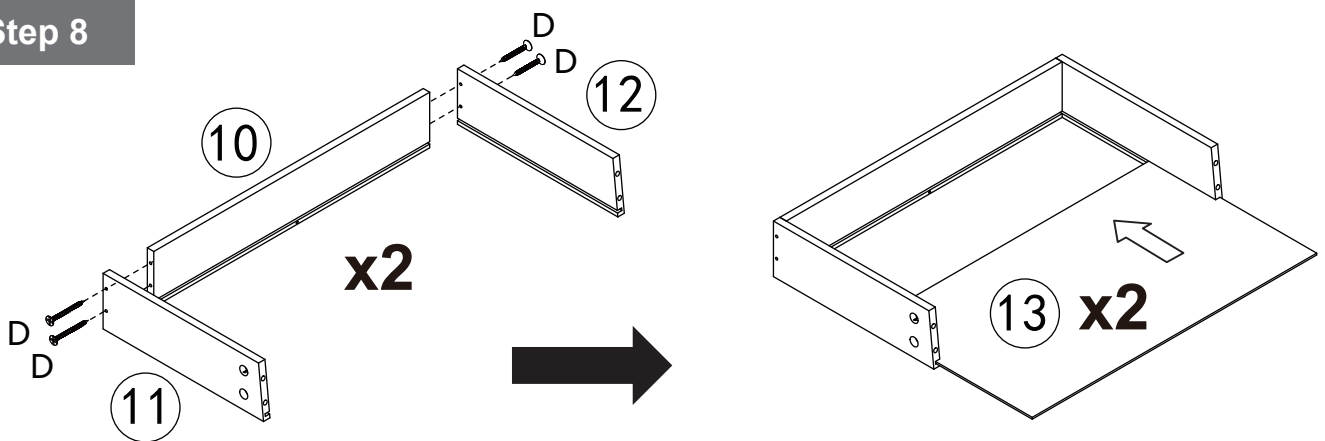
# Assembly Instructions


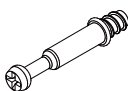
## Step 7

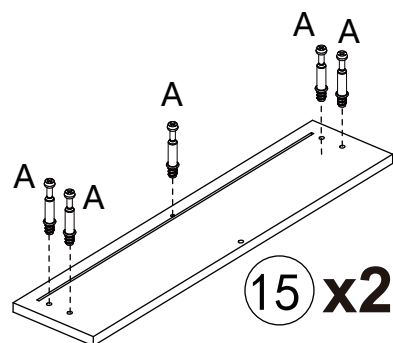


<p>(F)</p>  <p>6*12mm Screw x 24</p>	<p>(L)</p>  <p>x 4</p>	<p>(M)</p>  <p>Allen key x 1</p>	<p>(H)</p>  <p>x 2</p> <p>(N)</p>  <p>x 2</p>
---	---	--	---

## Step 8

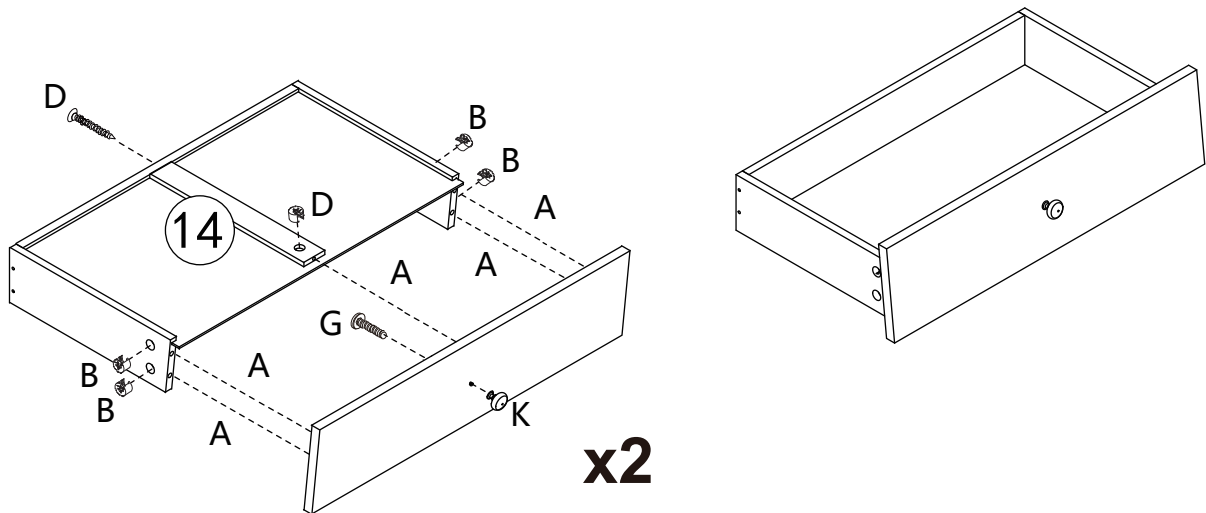






<p>(D)</p>  <p>4*35mm Screw x 8</p>	<p>(A)</p>  <p>Cam Bolt x 10</p>
--	---



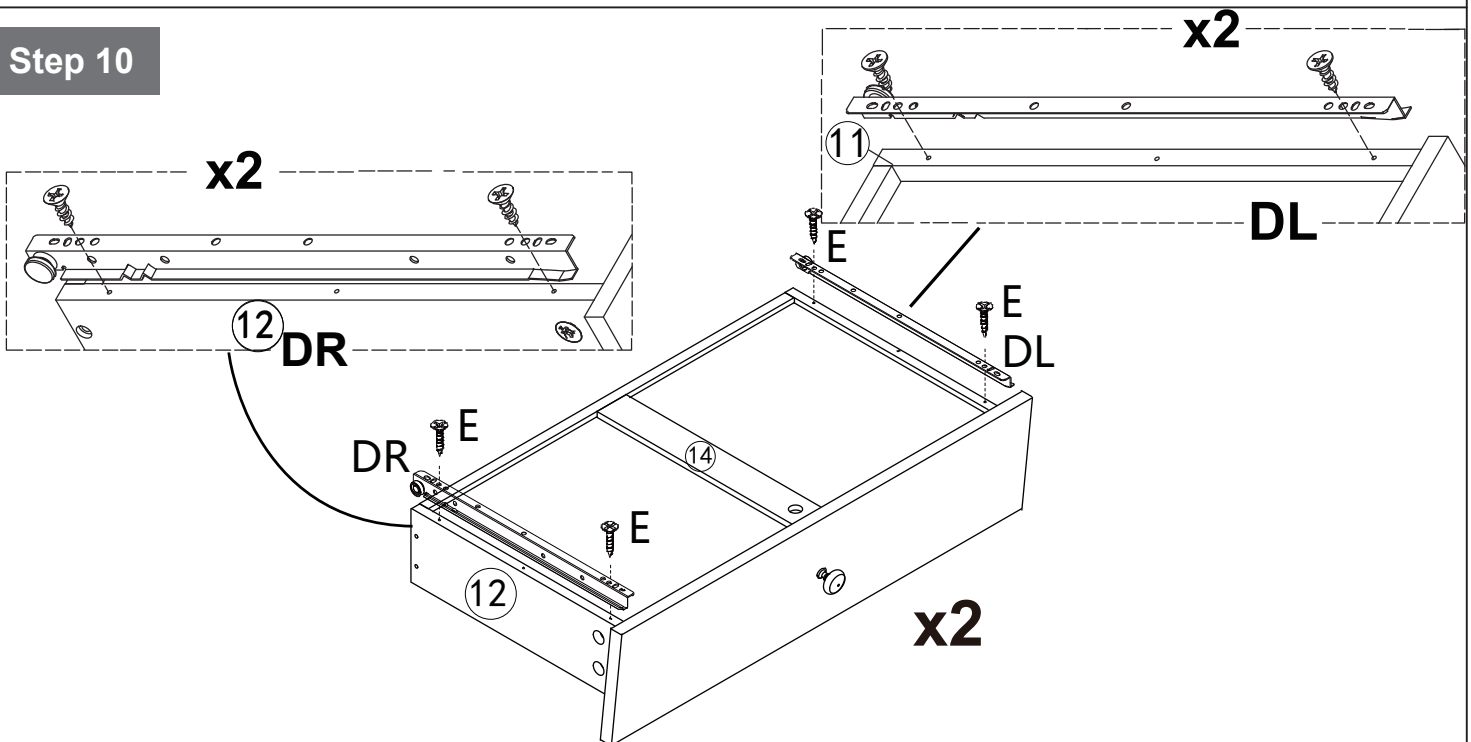
# Assembly Instructions


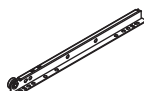

## Step 9



<p><b>(B)</b></p>  <p>Cam lock x 10</p>	<p><b>(D)</b></p>  <p>4*35mm Screw x 2</p>	<p><b>(G)</b></p>  <p>4*18mm Screw x 2</p>	<p><b>(K)</b></p>  <p>x 2</p>
--	---	---	--

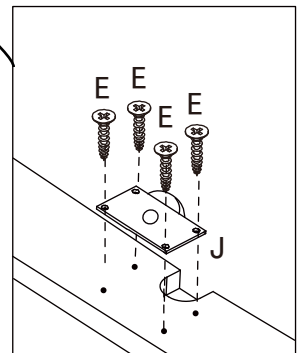
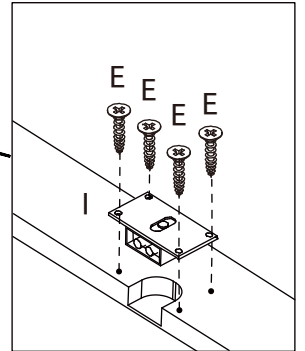
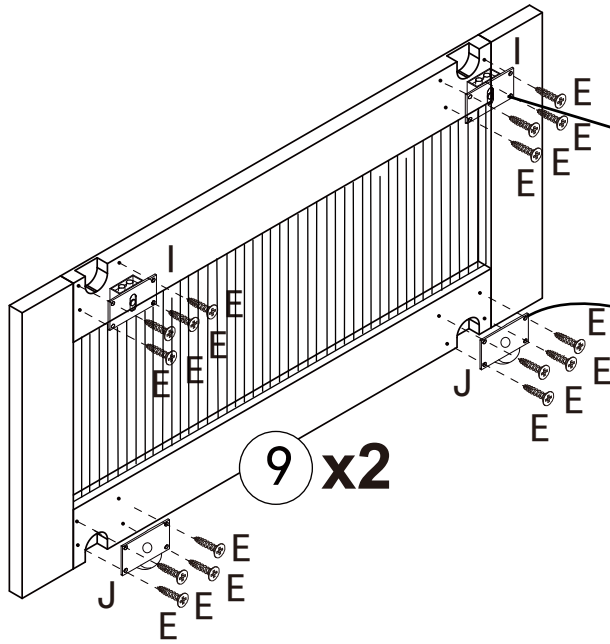
## Step 10

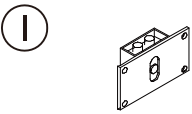

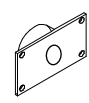


<p><b>(E)</b></p>  <p>3.5*12mm Screw x 8</p>	<p><b>(DR)</b></p>  <p>350mm runner x 2</p>	<p><b>(DL)</b></p>  <p>350mm runner x 2</p>
---	--	---

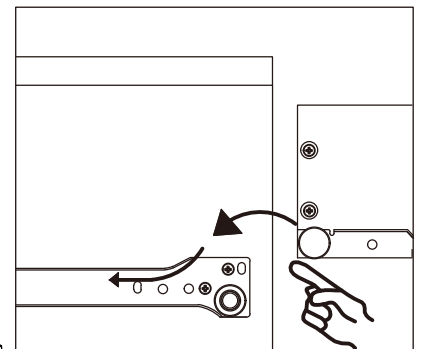
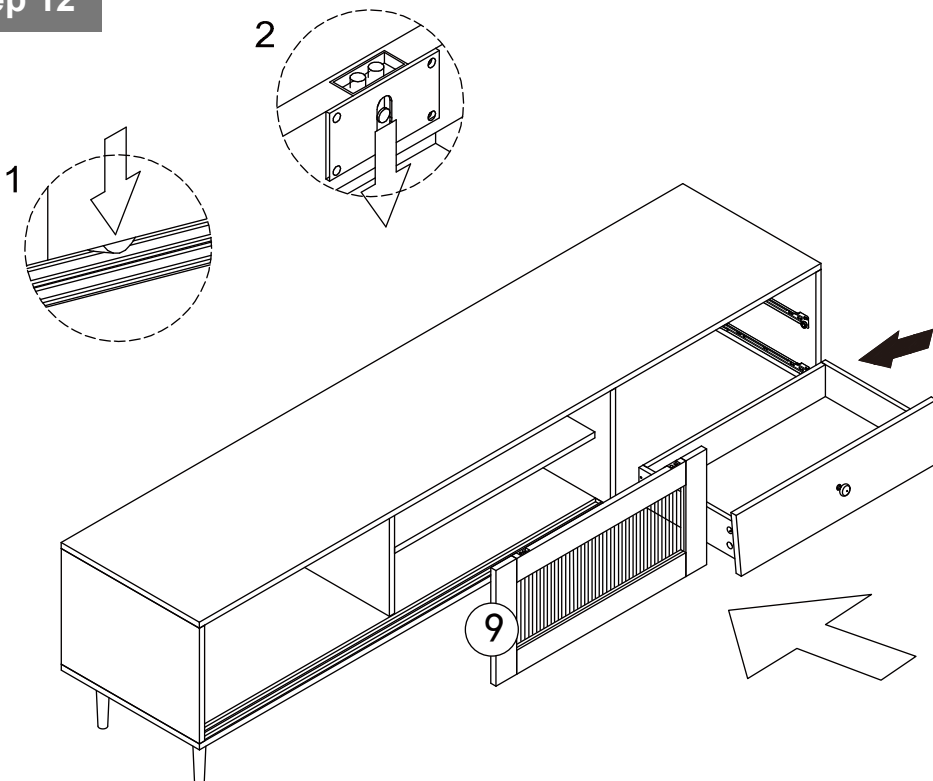
# Assembly Instructions

## Step 11



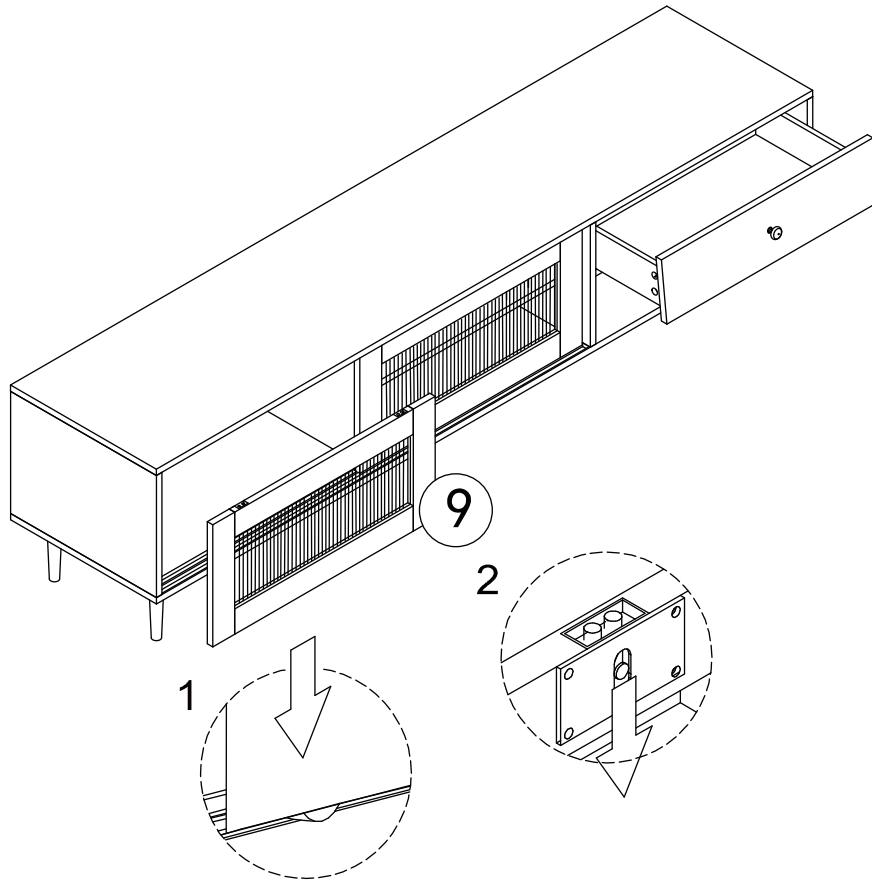
 x 4	 3.5512mm Screw]x 32	 x 4
---	--	--

## Step 12



# Assembly Instructions

## Step 13



## Step 14

