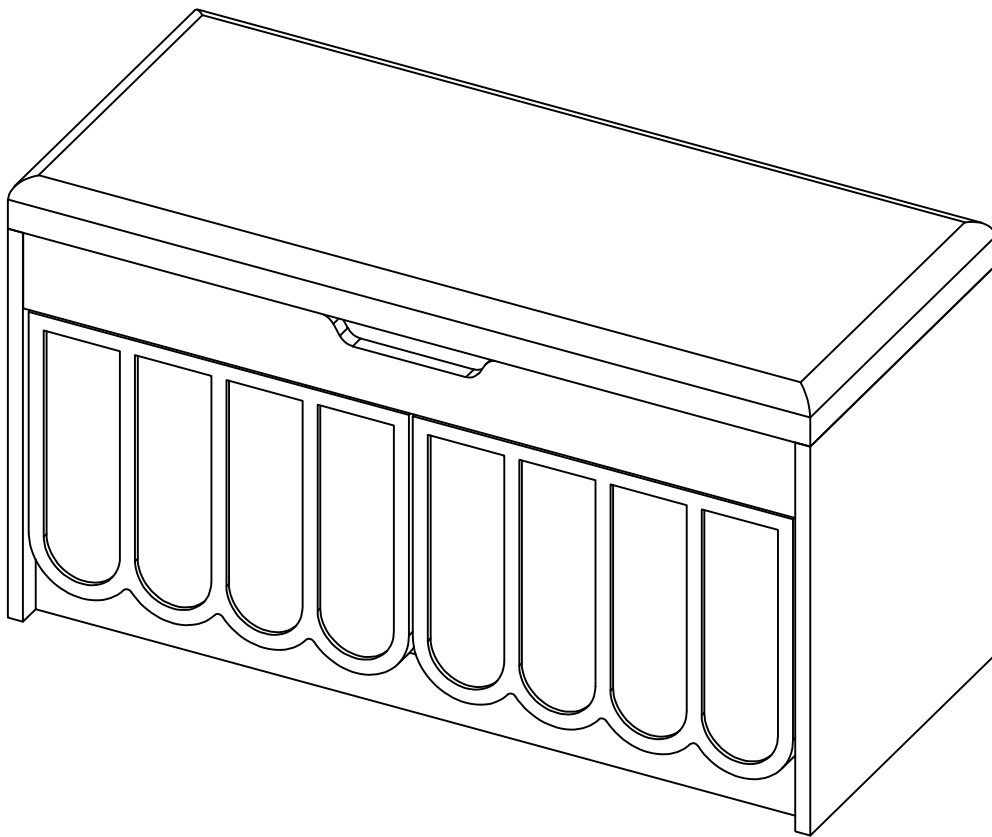


# Installation instruction



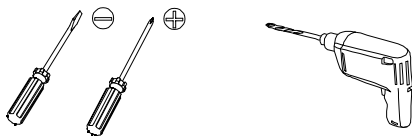
# Assembling

---

## What you need

- Use the packaging carton as a working surface to prevent product damage during assembly

Tool Required Not Provided



Use electric tools with care.

---

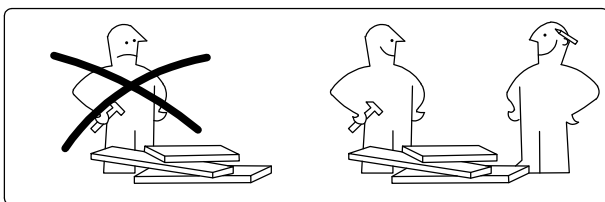
## Weight Limitation



# What' included

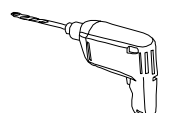
---

Code	Description	Qty
A	Cam Bolt M6X35MM	31
B	Cam Lock 15X9MM	31
C	Wooden Dowel M8X30MM	28
D	Screw M3.5X14MM	49
E	Screw M4X35MM	2
F	Silicone gasket	6
G	Shelf Holder	8
H	Flip iron fittings	3
I	Plank sticker	17
J	Plastic foot nail	8
K	Spring compressor	2
L	Spring compressor	2
M	Door panel hinge	4

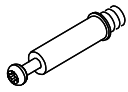
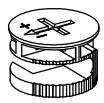
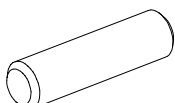

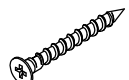
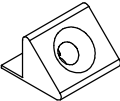
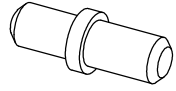

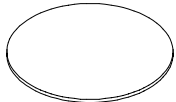

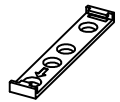
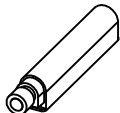



## IMPORTANT:

1. Do not tighten bolts / screws completely until all bolts / screws are lined up and inserted into holes.
2. Do not over tighten screws and bolts to avoid stripping
3. You can use a screwdriver or an electric tool (be careful when using an electric tool).



# The Hardware

<p>A x 31</p>  <p>Ø6×35 mm</p>	<p>B x 31</p>  <p>Ø15×9 mm</p>	<p>C x 28</p>  <p>Ø8×30 mm</p>	<p>D x 49</p>  <p>Ø3.5×14 mm</p>	<p>E x 2</p>  <p>Ø4×35 mm</p>
<p>F x 6</p> 	<p>G x 8</p> 	<p>H x 3</p> 	<p>I x 17</p>  <p>20 mm</p>	<p>J x 8</p> 
<p>K x 2</p> 	<p>L x 2</p> 	<p>M x 4</p> 		

Problems and solutions you may encounter when installing:

Q:What should I do if the doors are not aligned?

A:Please refer to the text instructions in step 13

Q:What should I do if the product shakes?

A:Please refer to the text instructions in step 16

Q:What should I do if the presser cannot be used?

A:Please refer to the text instructions in step 13

Q:What should I do if the product is high and low?

A:The ground may be uneven. Please place the product in a flat place for observation. If it cannot be solved, please contact us through the platform in time.

Q:What should I do if the product is damaged?

A:Please contact the platform in time to confirm which component is damaged, and your needs will be handled as soon as possible

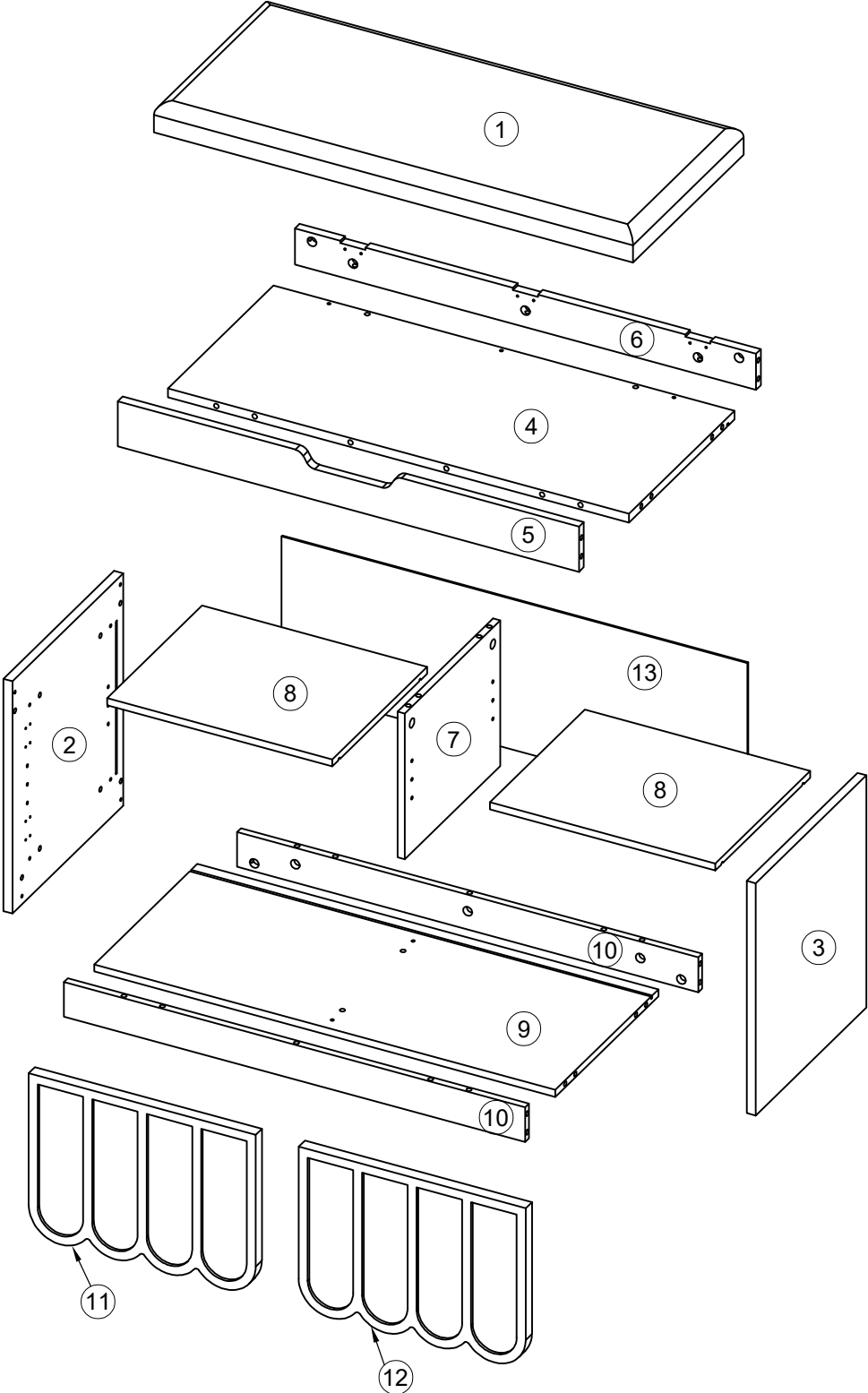
Q:What should I do if I lack accessories?

A:Please contact through the platform in time, and we will arrange for you to reissue accessories as soon as possible




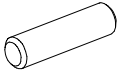

# Included Accessories

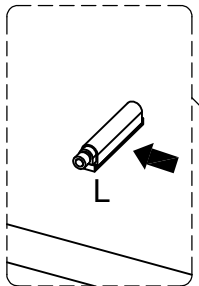
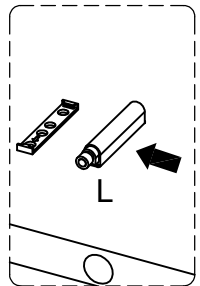
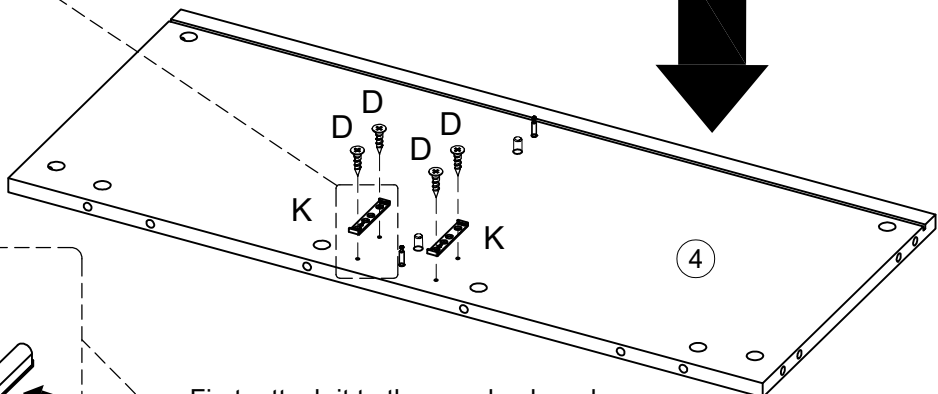
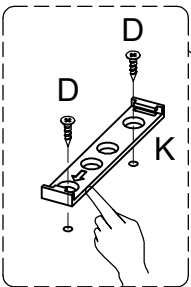
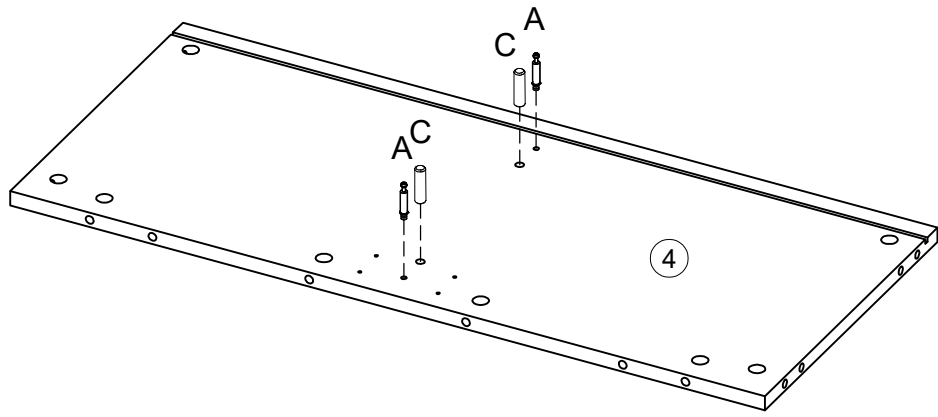
Code	Description	Qty
1	Cushion	1
2	Left side plate	1
3	Right side plate	1
4	Laminate	1
5	Front side of baffle	1
6	Back side of baffle	1
7	Middle vertical plate	1
8	Movable pressure plate	2
9	Bottom plate	1
10	Pulling plate	2
11	Left door panel	1
12	Right door panel	1
13	Backboard	1

# The Accessoriess



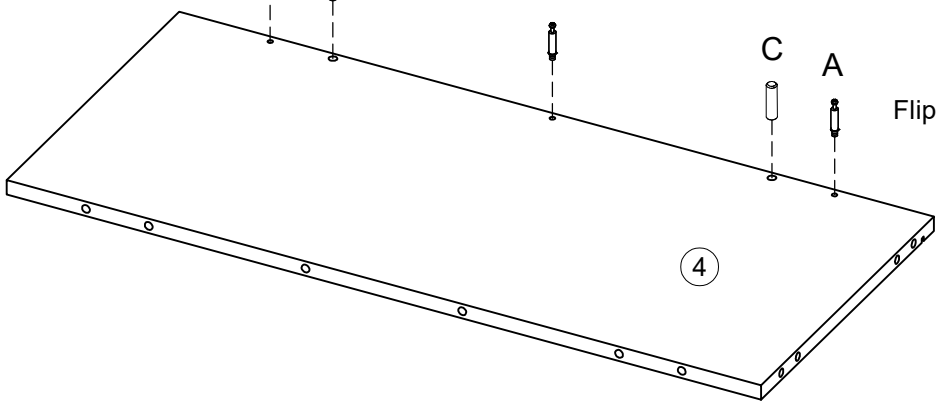
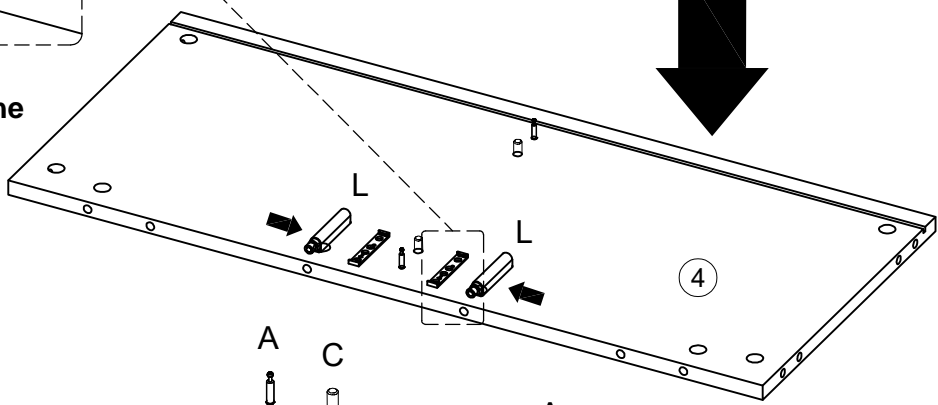
# Step 1

L x 2 	K x 2 	D x 4  Ø3.5×14 mm	C x 4  Ø8×30 mm	A x 5  Ø6×35 mm
--	--	--	--	--




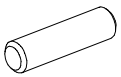

First, attach it to the wooden board, and then assemble M and N together.

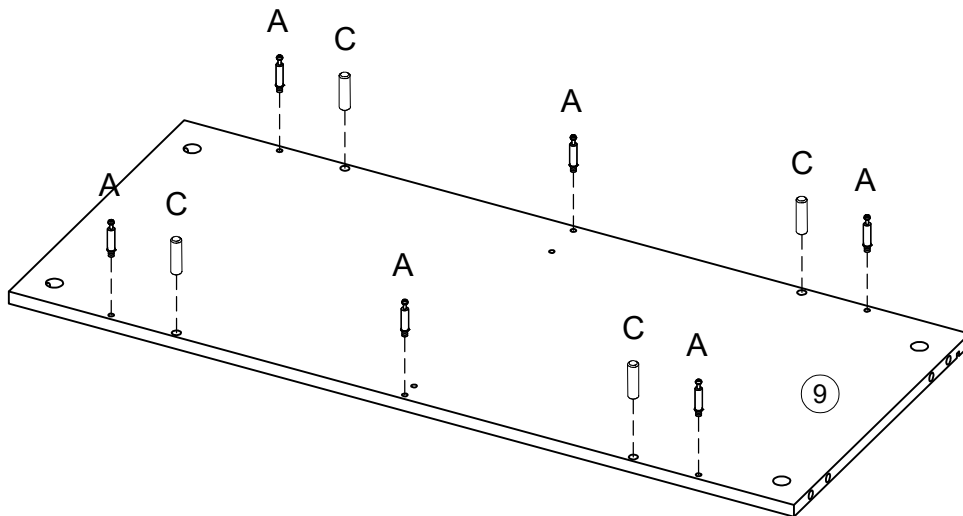
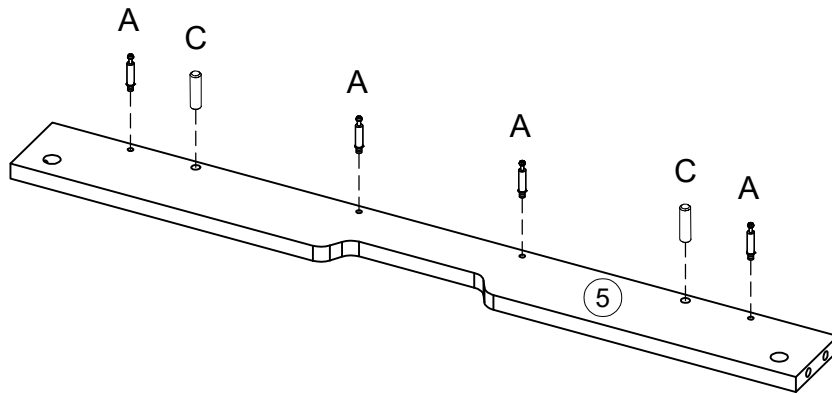
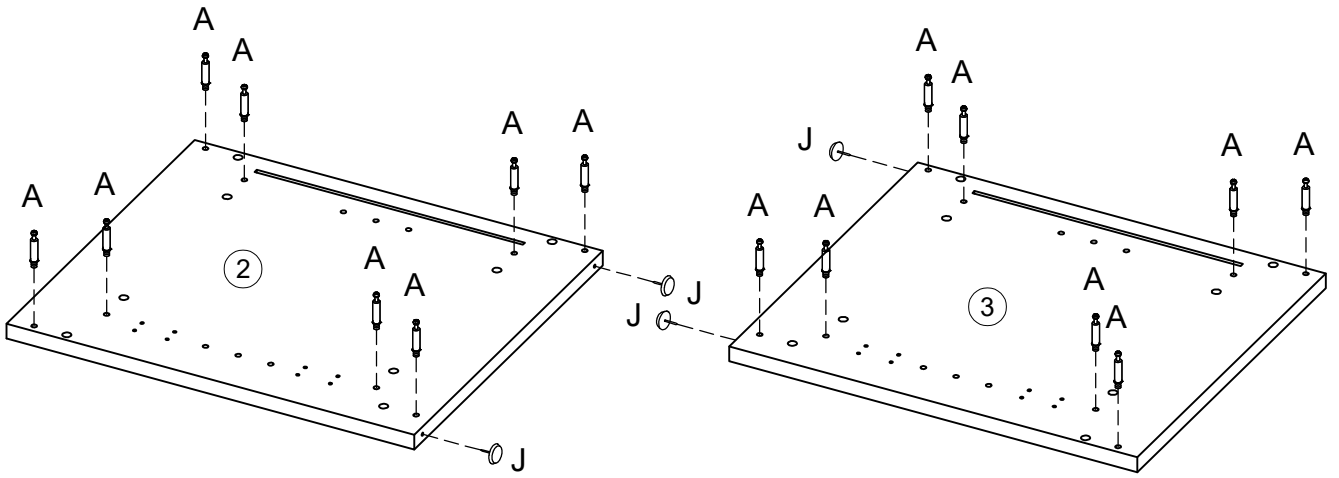
The part is pushed in from the side for assembly.



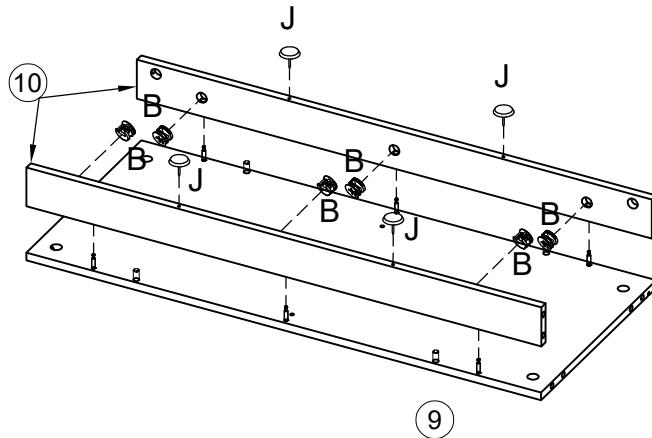
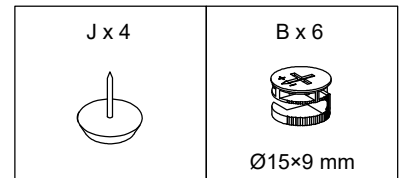
Flip plate No. 4

# Step 2

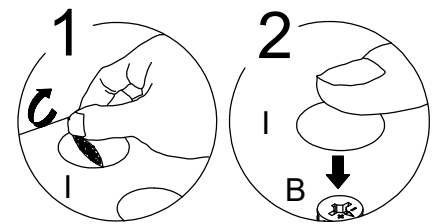
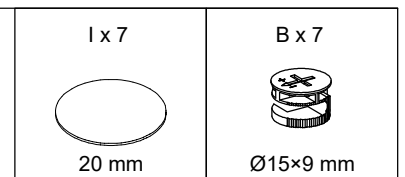
J x 4	C x 6	A x 26
		
	Ø8×30 mm	Ø6×35 mm



# Step 3

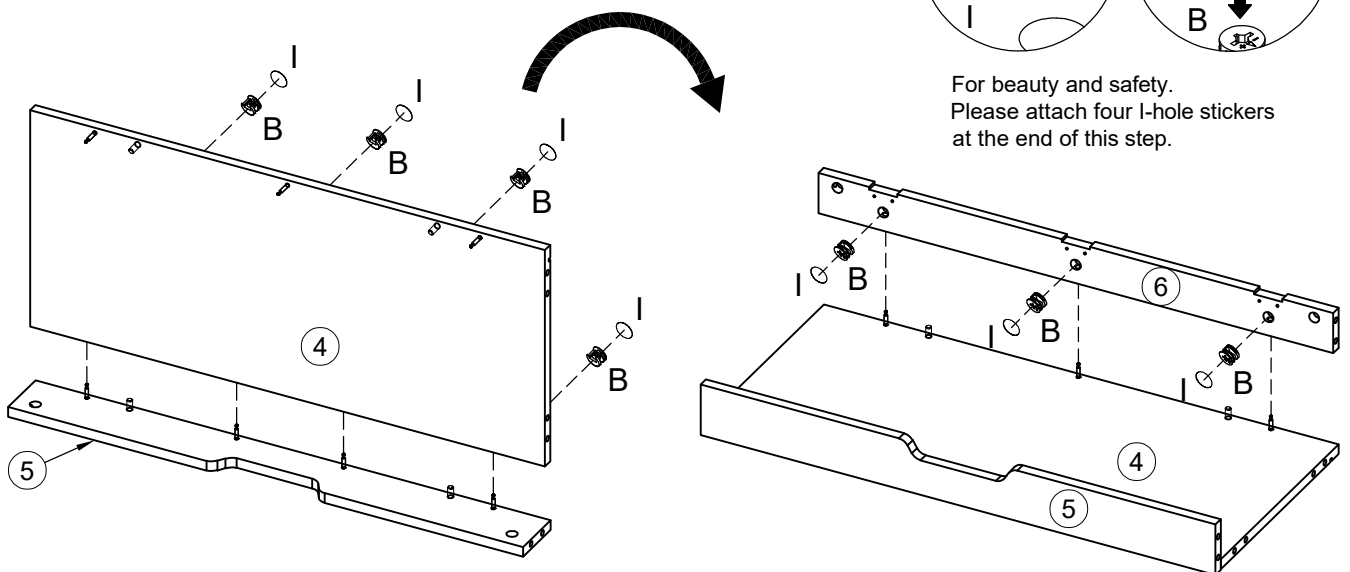


# Step 4






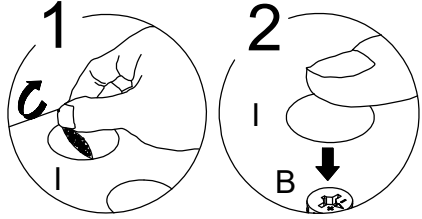
Flip plates 4 and 5

For beauty and safety.  
Please attach four I-hole stickers  
at the end of this step.

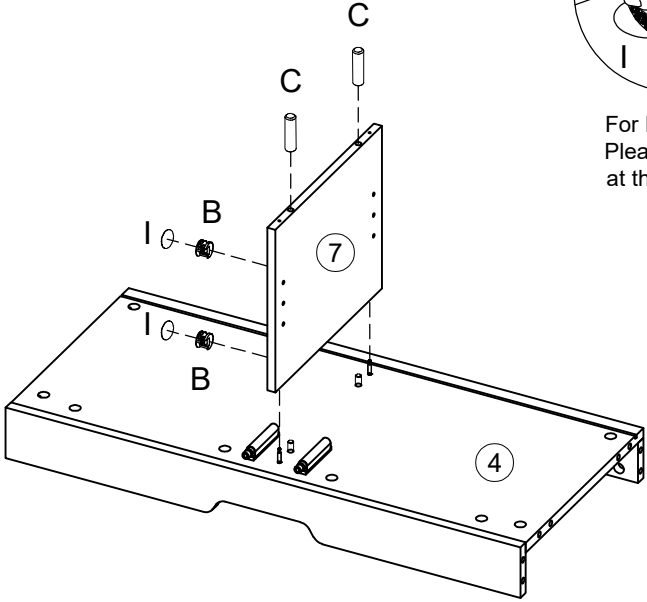


# Step 5


I x 2  20 mm	C x 2  Ø8x30 mm	B x 2  Ø15x9 mm
--	--	--

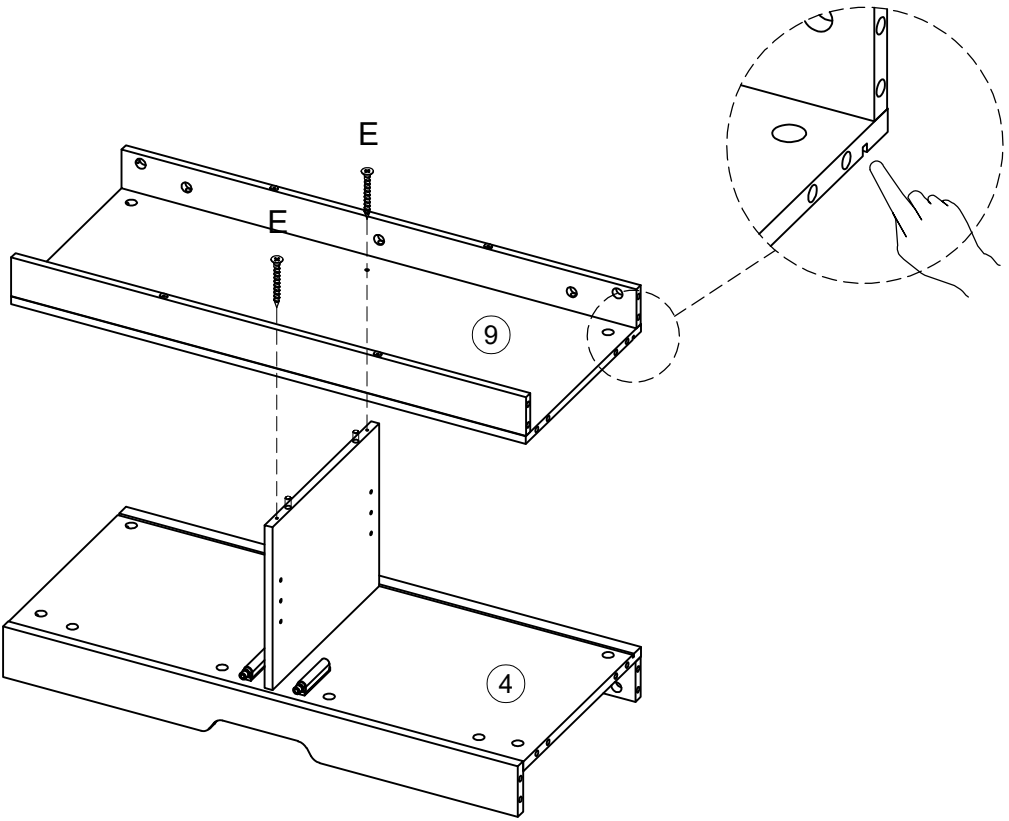


For beauty and safety.  
Please attach four I-hole stickers  
at the end of this step.


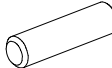



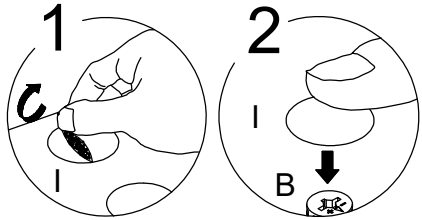
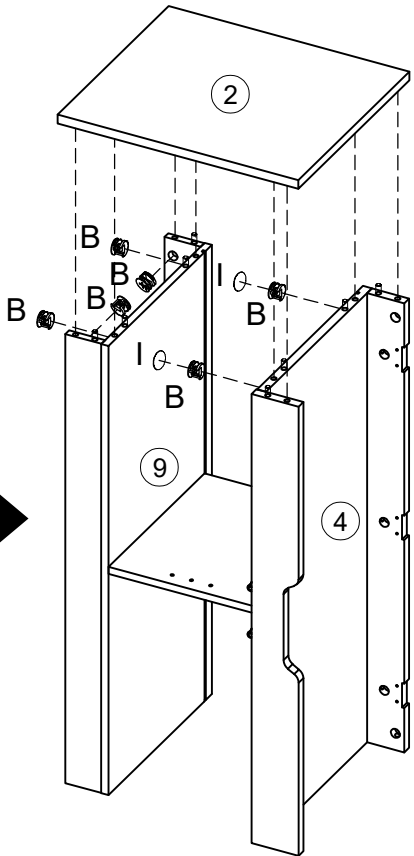
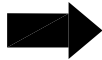
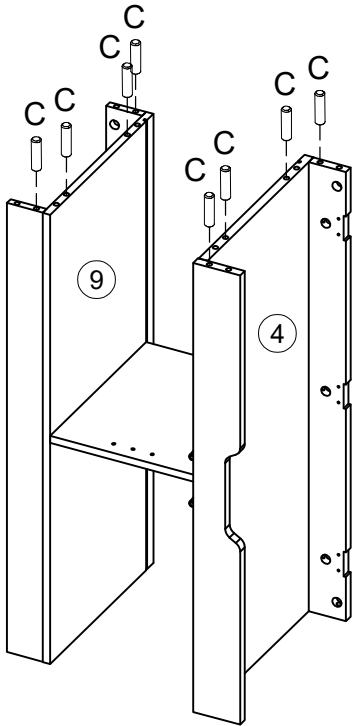
# Step 6

E x 2  Ø4x35 mm
--

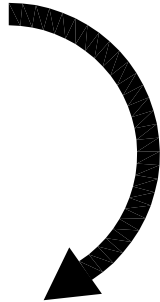


# Step 7

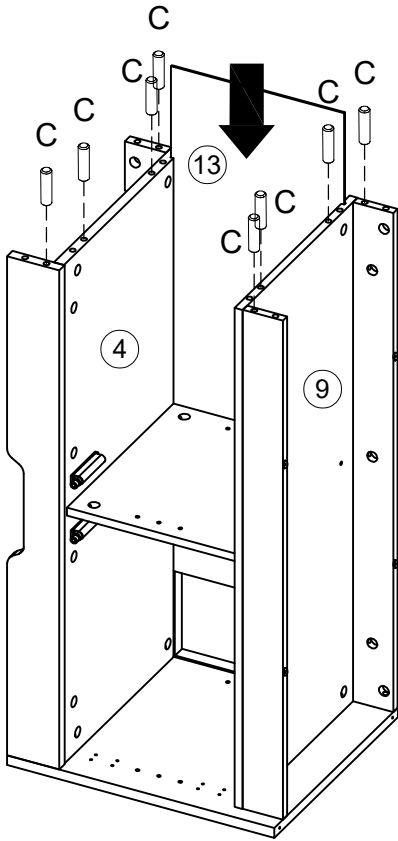
I x 2  20 mm	C x 16  Ø8x30 mm	B x 6  Ø15x9 mm
--	---	--



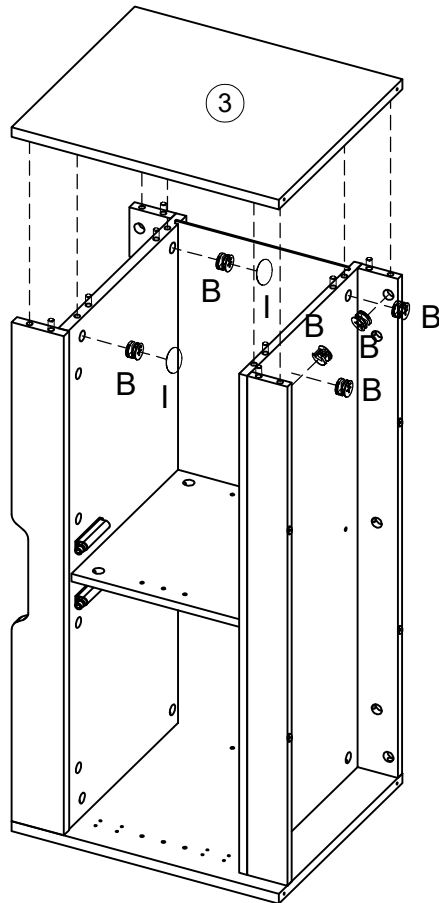
For beauty and safety.  
Please attach four I-hole stickers  
at the end of this step.



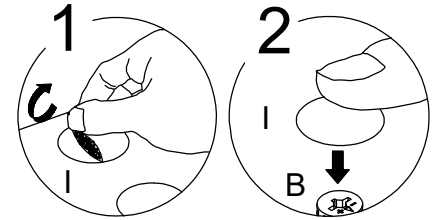
Rotated 180 degrees



# Step 8



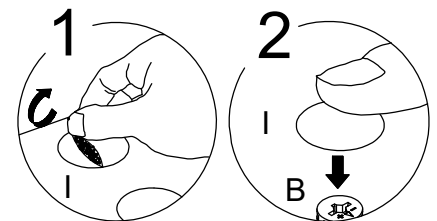
I x 2 20 mm	B x 6 Ø15x9 mm
----------------	-------------------



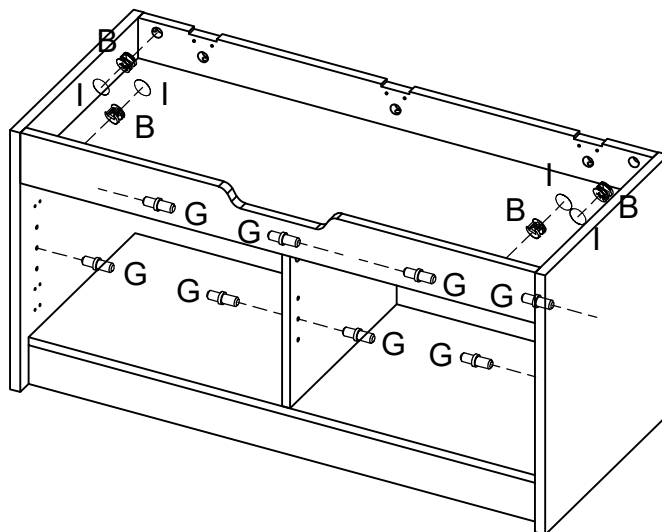
For beauty and safety.  
Please attach four I-hole stickers  
at the end of this step.

# Step 9

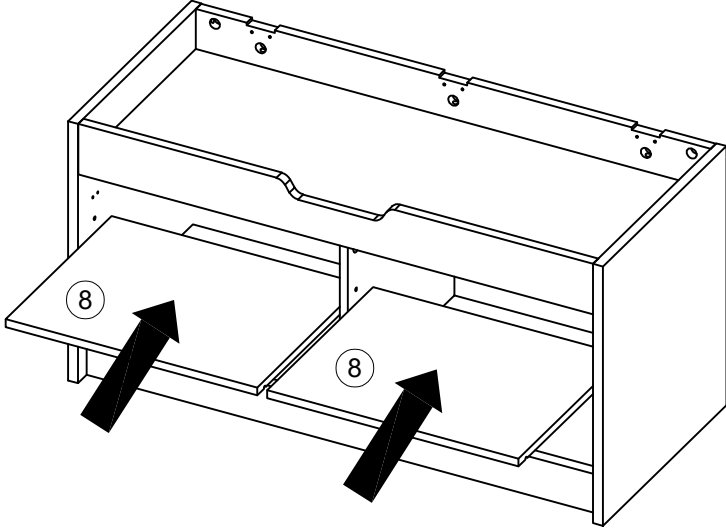
I x 4 20 mm	G x 8	B x 4 Ø15x9 mm
----------------	-------	-------------------





For beauty and safety.  
Please attach four I-hole stickers  
at the end of this step.

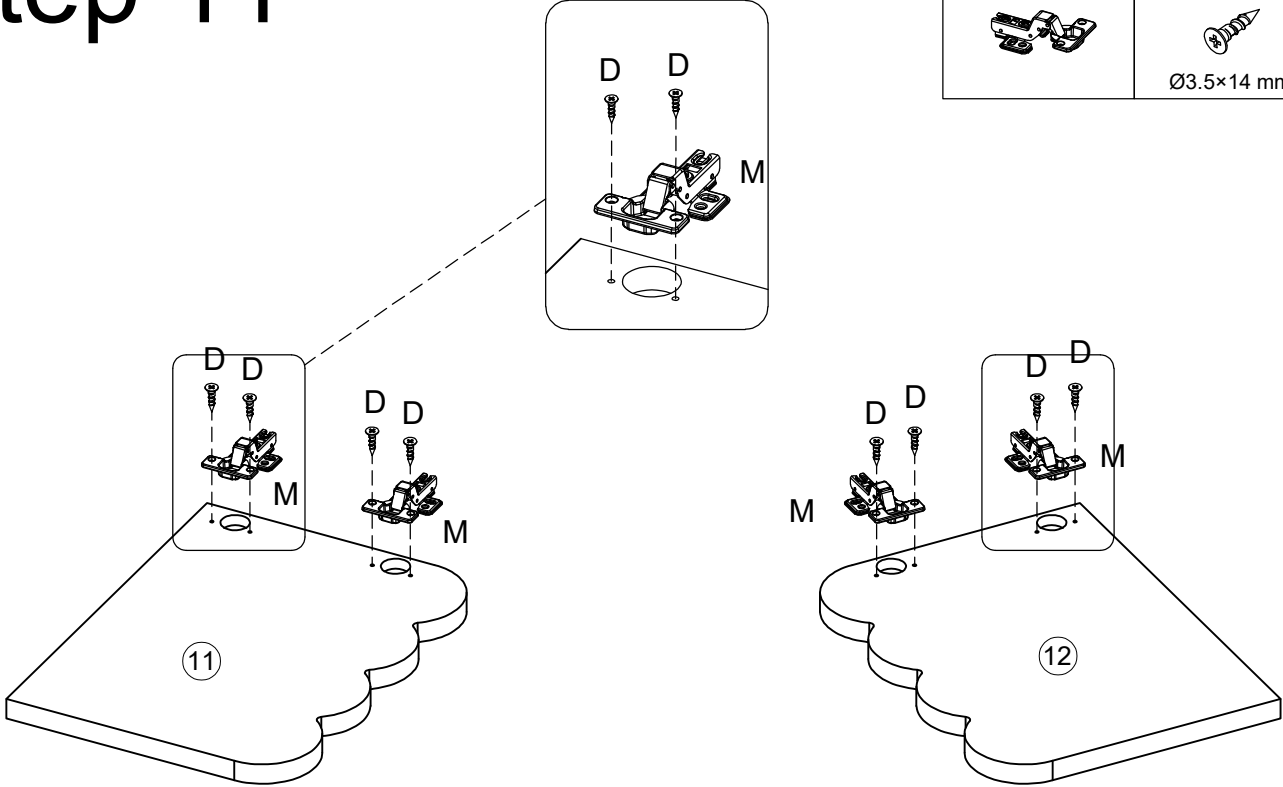


# Step 10



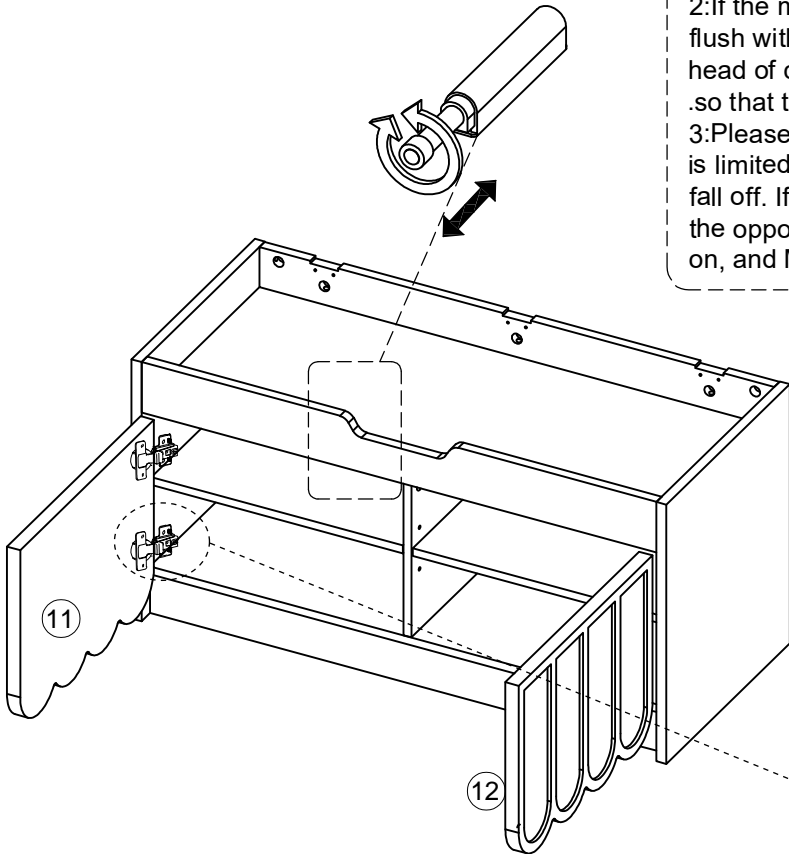
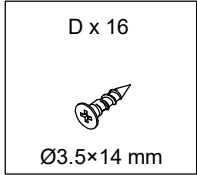
# Step 11

M x 4	D x 8
	
	Ø3.5x14 mm

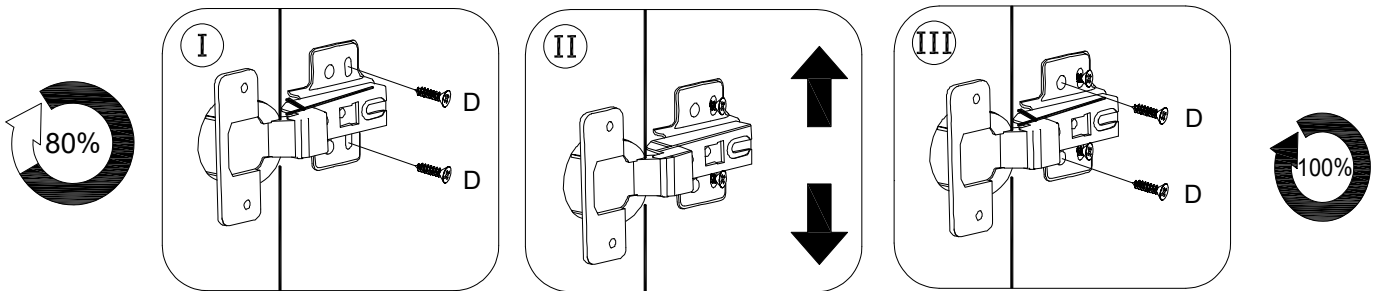
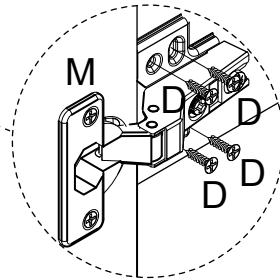


# Step 12

1: If the spring door cannot be opened by pressing you can adjust its length by rotating the head of component M.  
 2: If the middle of the door panel is not flush with the sides, you can rotate the head of component M to adjust its length so that the door panel is flush.  
 3: Please note that the head length of M is limited. If you twist it too much, it will fall off. If it falls off, you can rotate it in the opposite direction and screw it back on, and M can still be used normally.



If you find that the screw holes do not align when installing, you can adjust the A screw and align the holes before installing.



## How do I get the two doors to align flat by adjusting the hinges?



**01** Adjust the screws shown in Figure 1 to adjust the doors up and down.



**02** Adjust the screws shown in Fig. 2 and pull the door back and forth so that it can be opened smoothly.

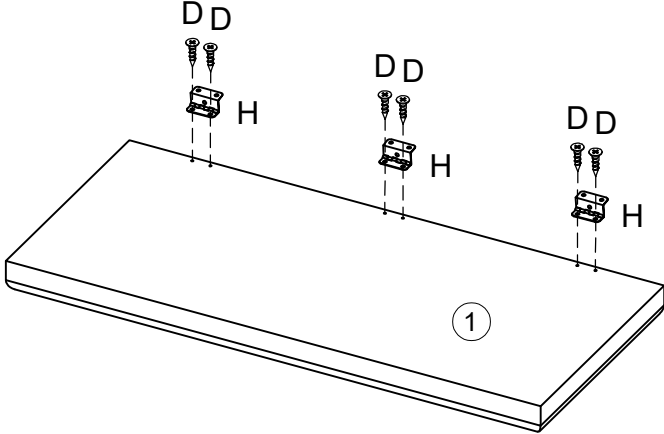
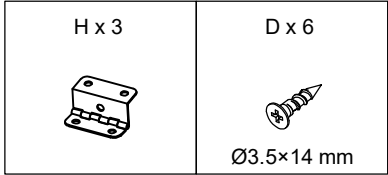


**03** Adjust the screws shown in Figure 3 to adjust the door left and right to the right position.

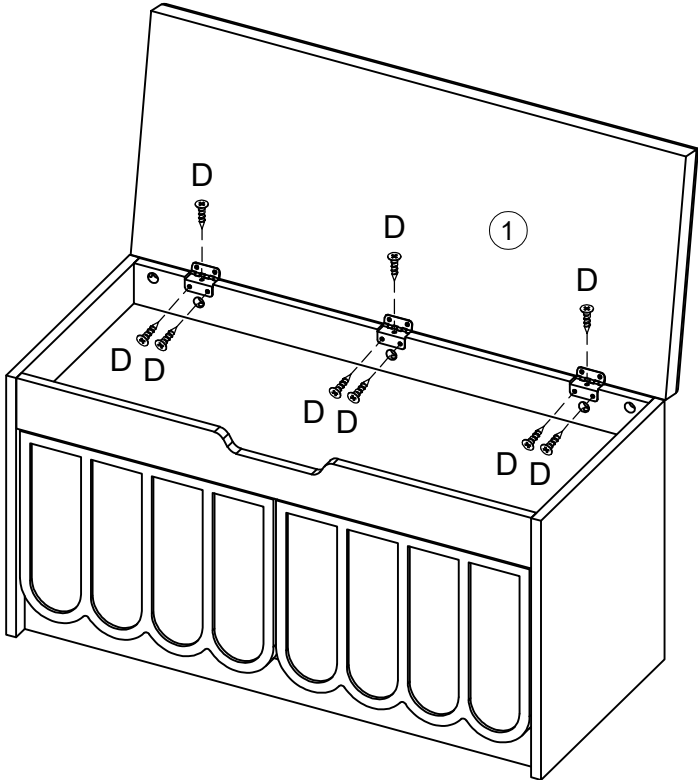
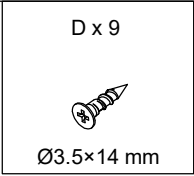


**04** After the adjustment is complete, install the remaining two screws to secure the door in place.

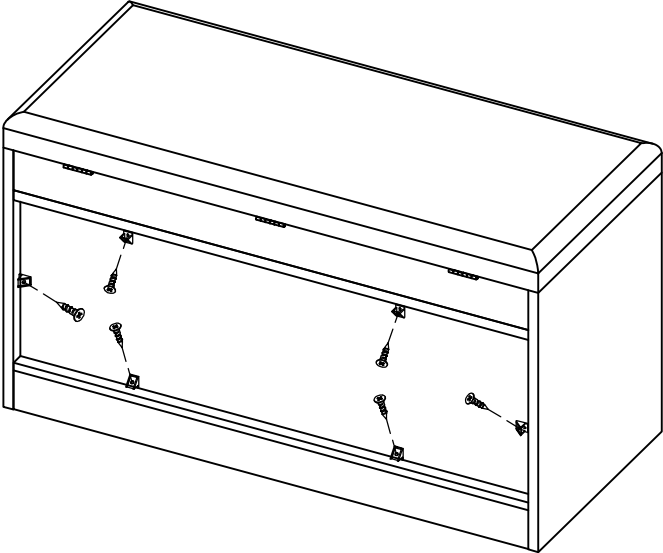
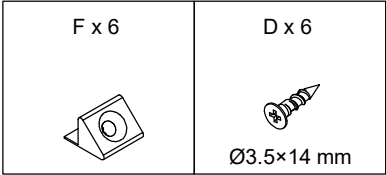
# Step 13



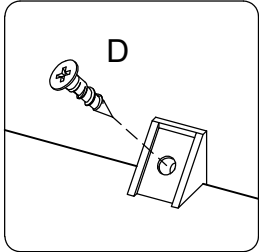
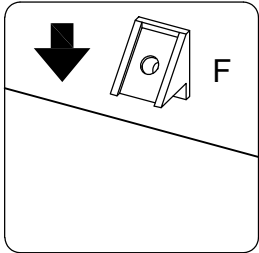
# Step 14



# Step 15



In order to ensure more stability of the product, D and F accessories must be installed according to the instructions. Failure to install will cause the product to easily shake.



# Step 16

