

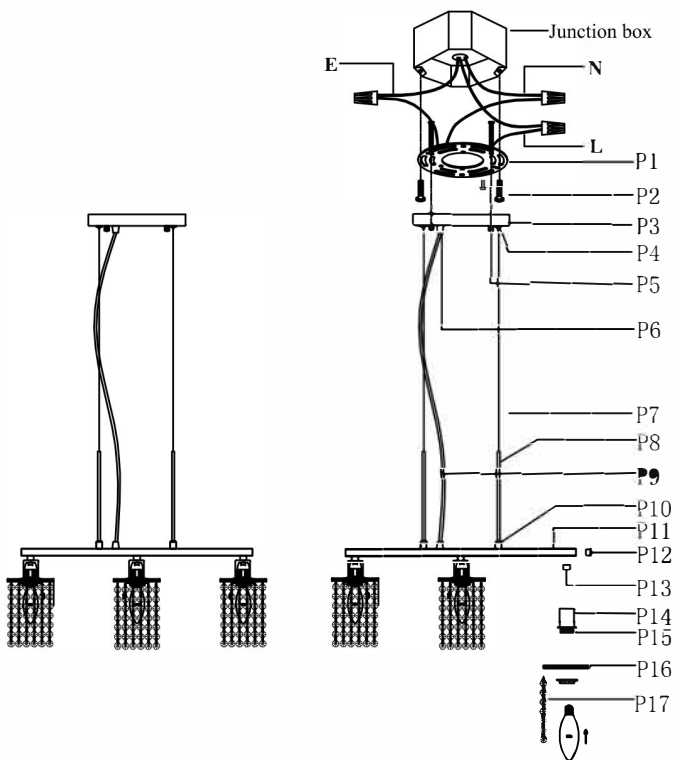
Installation & Assembly

Installation manual for:

L22" W4.7" H8.9" L3

Installation instructions:

1. Black wire from ceiling(junction box) attaches to "L"wire from the fixture.
 2. White wire from ceiling(junction box) attaches to "N"wire from the fixture.
 3. "E" wire from the fixture is attached to the mounting bracket and an additional "E" wire from the mounting bracket must be secured to the junction box.
 4. Secure mounting bracket to the junction box.
 5. Insert the mounting bracket screw(P2) into the mounting bracket (P1)
 6. Use the Flowering nut(P5) to lock the lamp body to the mounting bracket (P1) on the ceiling.
 7. Hang Crystal(P17)
 8. Install E12 light source.(Bulbs not supplied)
- The end!



Part	Picture	Description	Qty	Check list
P1		Mounting bracket Φ4"*T0.059"	1	
P2		Mounting bracket screw	2	
P3		Canopy (L8.26"*W4.52"*H0.98*T0.03")	1	
P4		Iron part Φ0.55"*H0.86"	2	
P5		Flowering part Φ0.39"*H0.39"	2	
P6		Tapered iron piece (Φ0.59"*H0.59")	2	
P7		Wire rope Φ0.05"*L70.86"	2	
P8		Single head tube (Φ0.22"*T0.03"*L7.87")	2	
P9		18#Three-core transparent wire	1	
P10		Cylindrical iron Φ0.59"*H0.78"	2	
P11		Square tube 0.59"*1.18"*T0.04"*L19.6"	1	
P12		Silencer L1.1"*W0.5"*H0.39"	2	
P13		Cylindrical iron (Φ0.55"*H0.31")	3	
P14		Anti-edge light cup (Φ1.57"*H1.57"*T0.02")	3	
P15		E12 holder	3	
P16		Flat iron frame (L3.93"*W3.93"*H0.27")	3	
P17		Octagonal beads (seven bunches)	72	

"L" = Hot wire

"N" = Neutral wire

"E" = Ground wire