

## BATHROOM FAUCET:

- Parkwood® Collection
- Two Handle Center Set
- 4-Inch 3-Hole Sink Applications

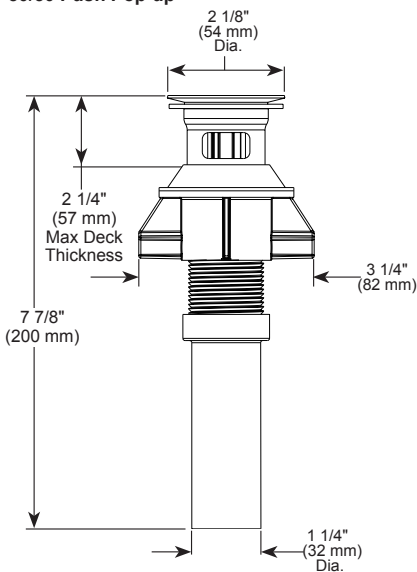
## STANDARD SPECIFICATIONS:

- Max flow rate 1.0 gpm @ 60 psi, 3.8 L/min @ 414 kPa
- Three-hole mount
- Ceramic cartridge
- 1/4 turn handle stops
- 1/2"-14 NPSM threaded male inlet shanks
- Models have 50/50 push pop-up

## WARRANTY

- Parts and Finish – Lifetime limited warranty; or for commercial purchasers, 10 years for multi-family residential (apartments and condominiums) and 5 years for all other commercial uses, in each case from the date that the product is received by the original purchaser or their authorized representative (installation contractor, etc.).
- Please go to [www.peerlessfaucet.com](http://www.peerlessfaucet.com) for the complete details of our limited warranty.

## RP103419▲ 50/50 Push Pop-up



▲ Designate proper finish suffix



## COMPLIES WITH:

- ASME A112.18.1 / CSA B125.1
- ASME A112.18.2 / CSA B125.2
- EPA WaterSense®
- ICC/ANSI A117.1