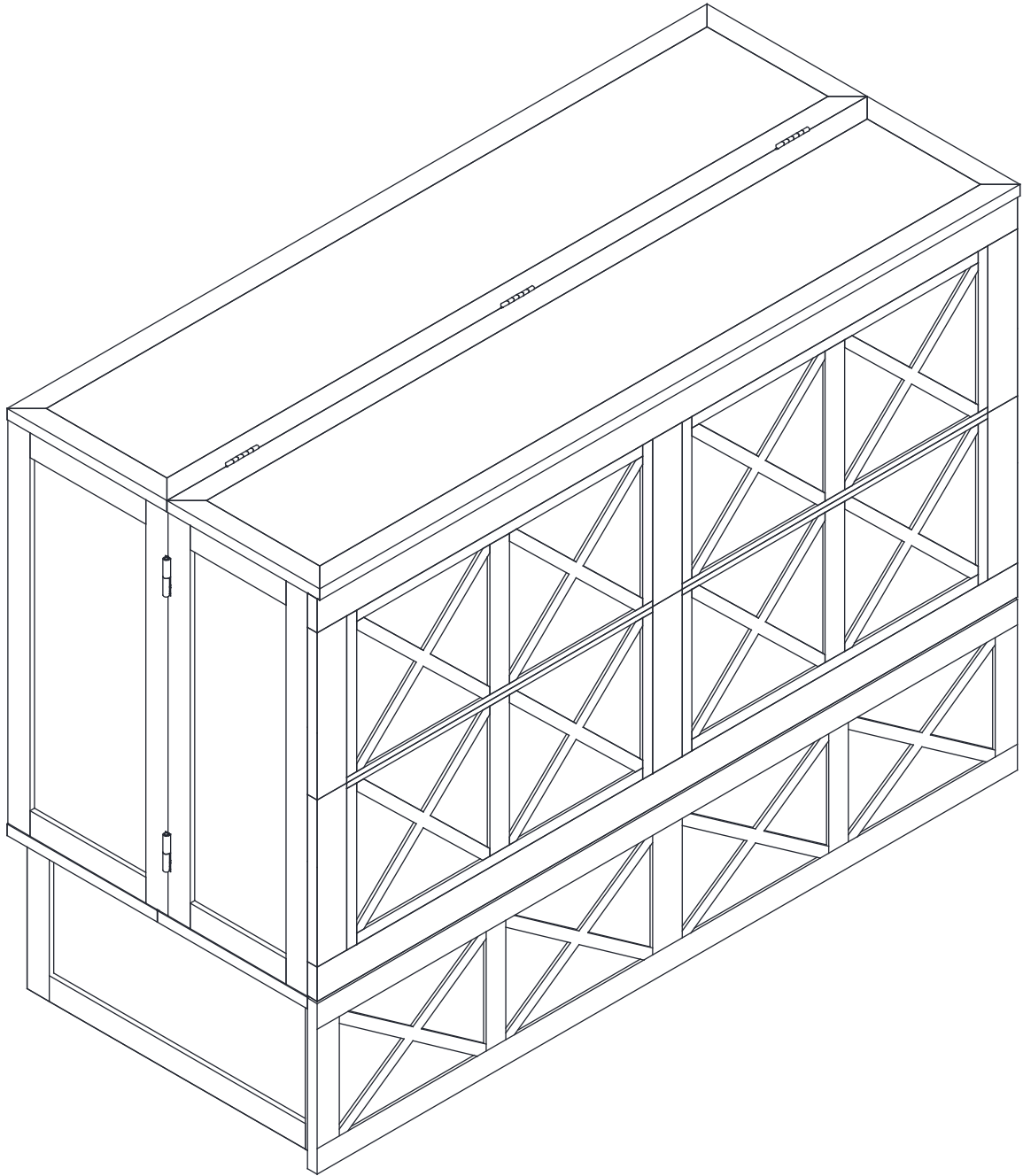


Murphy Bed



RETURNS

CHANGED YOUR MIND AND NEED TO RETURN YOUR ITEM?

PLEASE FOLLOW THE BELOW INSTRUCTIONS:

- If you have purchased and have simply changed your mind, follow the retailer's instructions for returns.

DEFECTIVE ITEMS

- If your item is defective in any way, i.e. it doesn't work but you can't identify why, in the first instance, please consult our FAQ section as there maybe a simple solution to the issue.

DAMAGED ITEMS

- If you receive an order with obvious shipping damage from the retailer, then we suggest the delivery is refused. If the delivery has been accepted and then shipping damage is found, please follow the specific instructions advised by the retailer.

- In all circumstances, please save all packaging material and paperwork for the order.

- Please be aware that if you dispose of packaging material or attempt to return the merchandise without contacting the retailer, you jeopardize your chances of making a claim, and you may not receive a credit for the return.

WARRANTY

WARRANTY CLAIMS

- There is a 30-day warranty for broken furniture or any other problems that do not work properly. The warranty will start from the date of purchase which must be verified by proof of purchase.
- The product must be used in accordance with the instructions provided. For health reasons.
- For other reasons, if the furniture needs to be returned, it must be cleaned and dried and operated within 30 days of receipt.

Type of Warranty Claim

- Failure to follow the furniture instructions will invalidate the warranty. Attention please.
- Does not include damage during installation, but includes damage during transportation.

Scope of responsibility

- Shall not bear any responsibility for misuse or user damage and / or loss of parts during the installation of furniture.
- After using, the damage and scratches of the furniture are not covered by the warranty.

The Warranty Relates to All Bought in The Us and Covers The Following Areas

- Sheet parts: 1 month from the date of purchase.
- Electrical parts: 1 month from the date of purchase.

IMPORTANT INFORMATION!

•please read the entire manual before starting to assemble and/or using this product. follow the manual thoroughly and keep it for further reference.

AVOID SCRATCHES!

•In order to avoid scratching this furniture should be assembled on a soft layer-could be a rug.

IMPROVE EFFICIENCY !

•Try to find a partner to install with you, which can speed up the installation efficiency and shorten the time.

IMPORTANT !

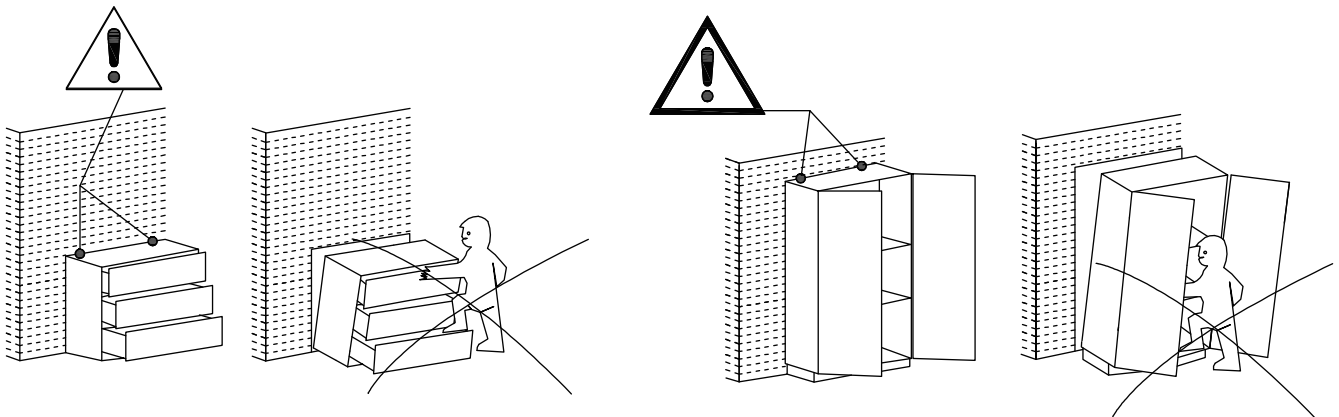
•It is important that any product which is assembled using any kind of screw is re-tightened 2 weeks after assembly, and once every 3 months - in order to assure stability through-out the lifespan of the product.

•For regular maintenance and cleaning of the product, for the frame, please use a rag dipped in neutral detergent to fully wipe it, and then dry it with a clean rag. For glass materials, wipe with a rag dampened with water glass cleaner, and then dry with a dry rag.

•Do not use an electric screwdriver, and do not use too much force when installing, because the board is easy to break.

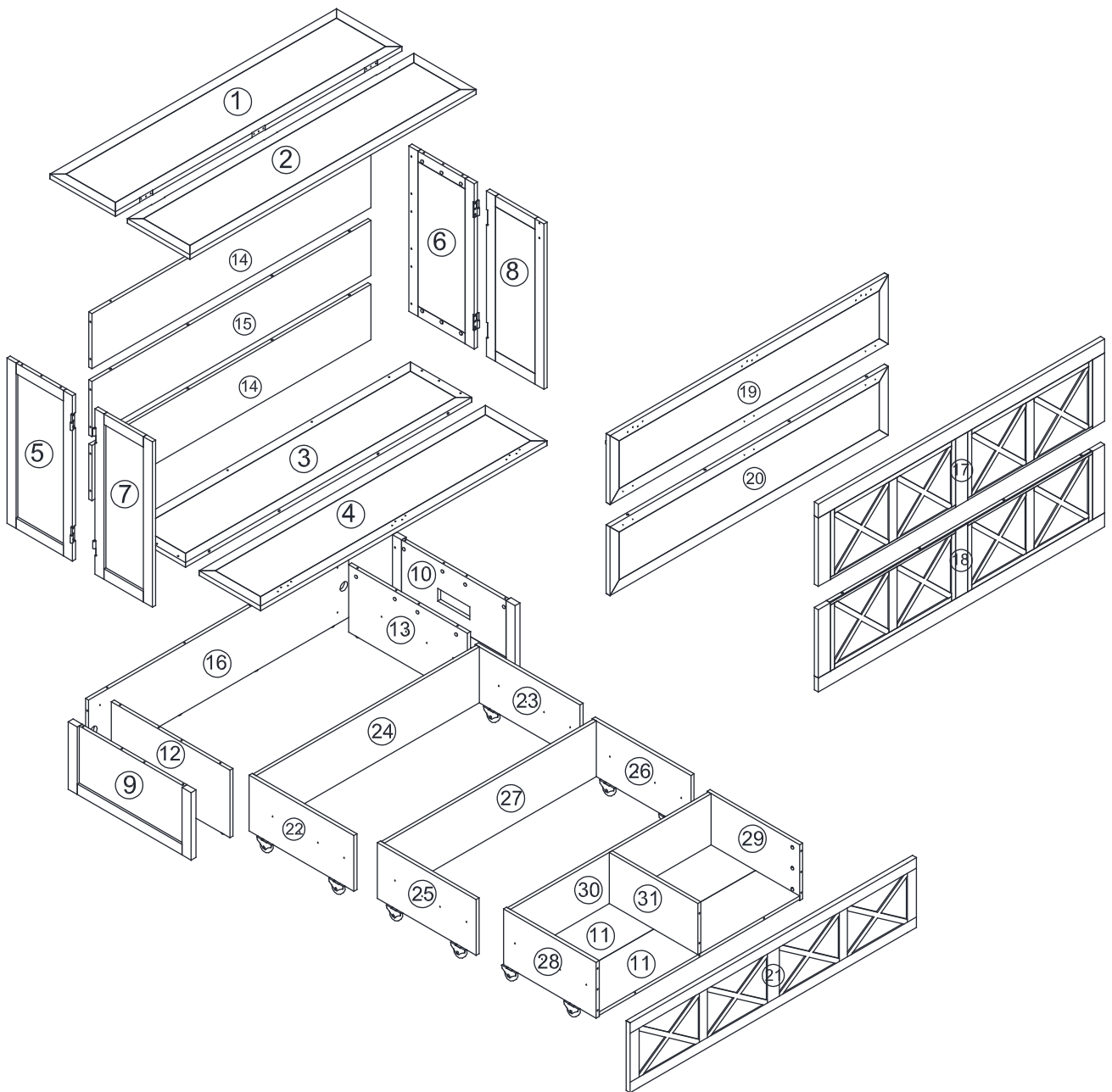
ANTI-TOPPLE WARNING !

Overtured furniture can cause serious or fatal crush injuries. To prevent tipping over, be sure to use the wall attachment, if not included with this product. Please purchase the wall attachment that fit your wall. If unsure, seek professional advice. Please read and follow each step of the instructions carefully.

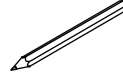
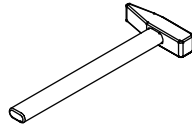
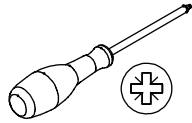
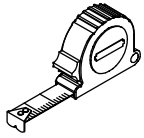


Installation Guide

Exploded Views



Please prepare the following tools



When installing, please carefully confirm whether each screw corresponds to the manual, accessories with similar shapes can be distinguished by size

A x 98



Ø6 x 39mm

B x 98



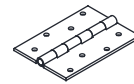
Ø15 x 10mm

C x 3



64 x 23mm

D x 6



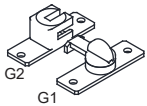
100 x 70mm

E x 6



Ø80 x 2mm

G x 2



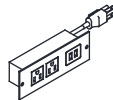
75 x 23 x 20mm

H x 12



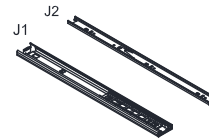
H52mm

I x 1



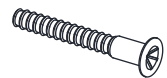
162 x 55 x 40mm

J x 3



490mm

K x 4



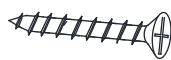
M7 x 38mm

L x 118



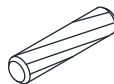
Ø3.5 x 14mm

M x 4



Ø4 x 30mm

N x 20



M10 x 40mm

P x 60



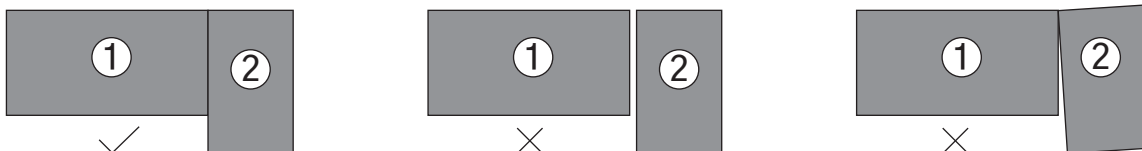
Ø4 x 14mm

Troubleshoot

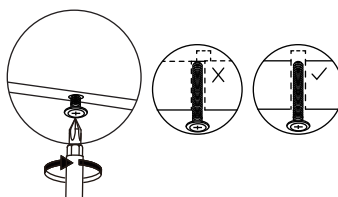
Product Category	Fault	Cause Analysis	Handing Method
Wood furniture	Door opening is not flexible	The furniture is not leveled	Use items to level the furniture
		The door hinges should be adjusted properly.	Adjust door hinges and apply lubricating oil.
	Inflexible opening of drawer	Overload or deformation	Reduce weight, adjust guide rails, lubricate
	Loose component connection	Loose hinges or screws	The poke part should be coated with an appropriate amount of 502 glue, then re-install or tighten the screws.
	Minor scratches	friction with hard o sharp objects	Use a brush to apply similar pigment ink along wood grain to the scratches, then wipe off the excess.
	Corrosive stains	Accidentally stained with chemical solvents such as nail polish, nail polish remover, ect.	Wipe them with a dry cotton cloth immediately

Possible Issues During Assembly:

- The two boards can't be aligned at the same level.

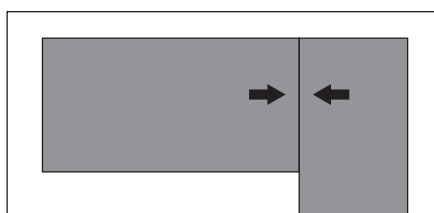


- Holes on the boards and poles are not aligned, so screws can't be installed.



Recommended Solution:

- Please slightly loosen all screws and adjust the boards. Because the diameter of the holes on the pipes is 23 mm larger than that of bolts, the position of the boards can be adjusted.

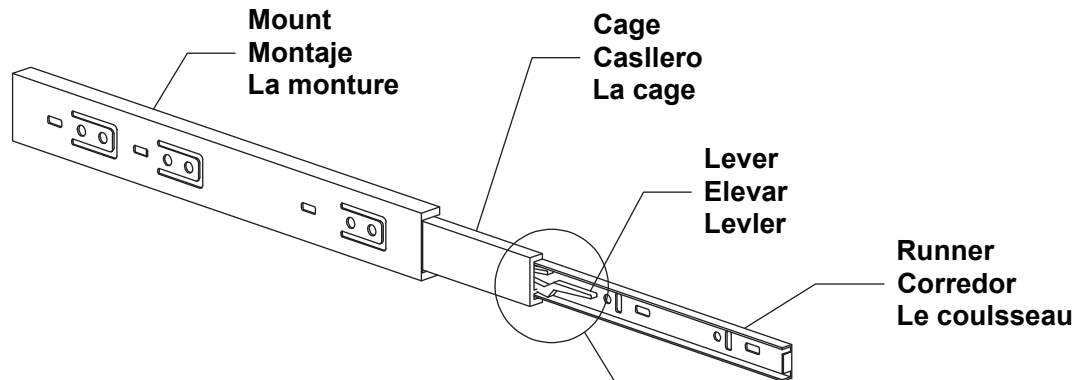


- If it still doesn't work after adjustment, please contact us for more solutions.

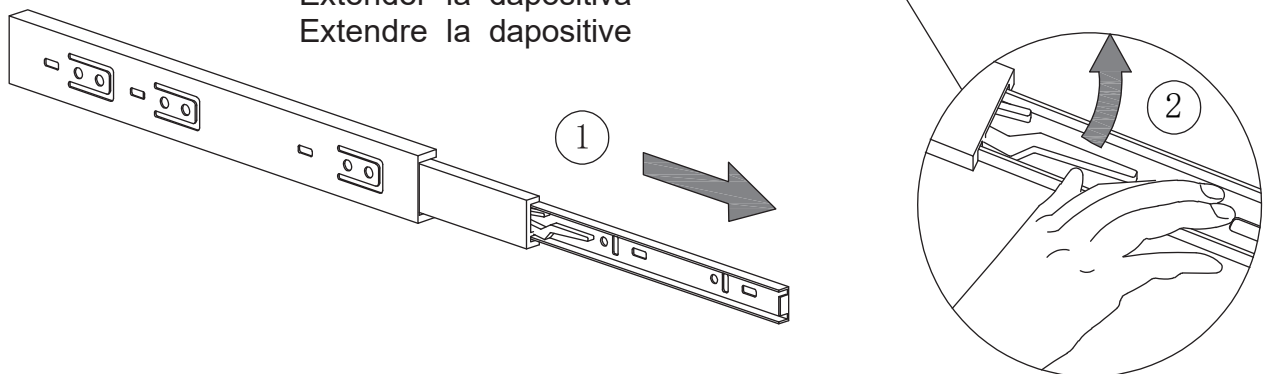
**Slides Must be Separated Before Assembly.
After Separated, Set Aside Until Needed for Assembly.**

Las diapositivas deben separarse antes del montaje.
Después de separarse, déjelo a un lado hasta que sea necesario.

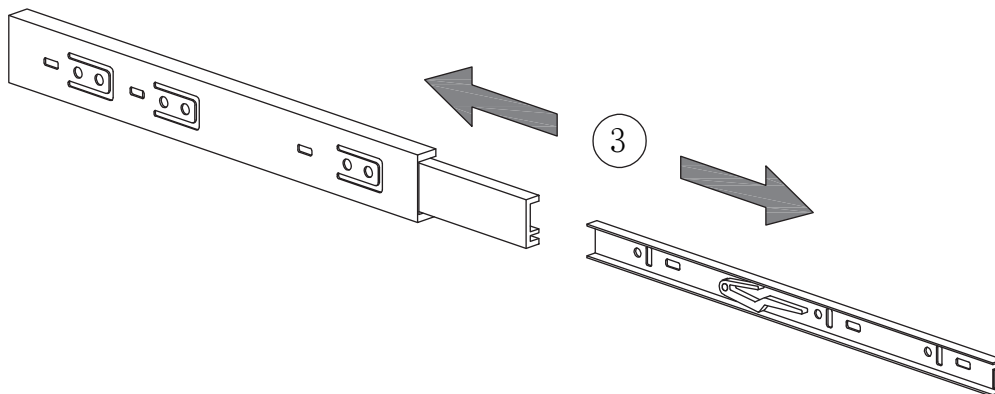
Les glissières doivent être séparées avant l'assemblage.
Après la séparation, mettez-les de côté jusqu'au moment de l'assemblage.






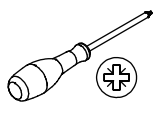
Step 1: Extend slide
Extender la diapositiva
Extendre la diapositive

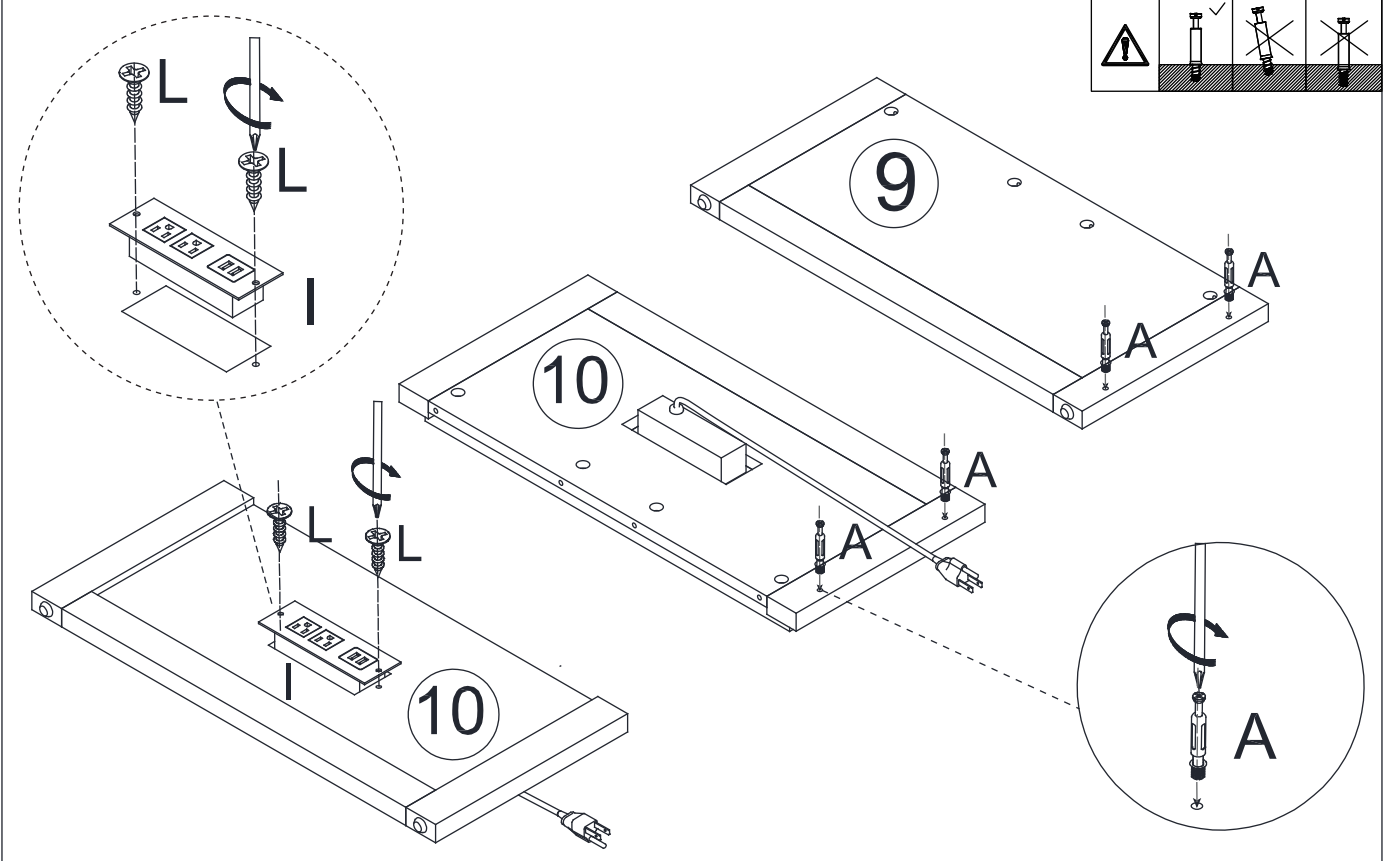


Step 3: Remove Runner
Quitar el corredor
Enlever le coureur

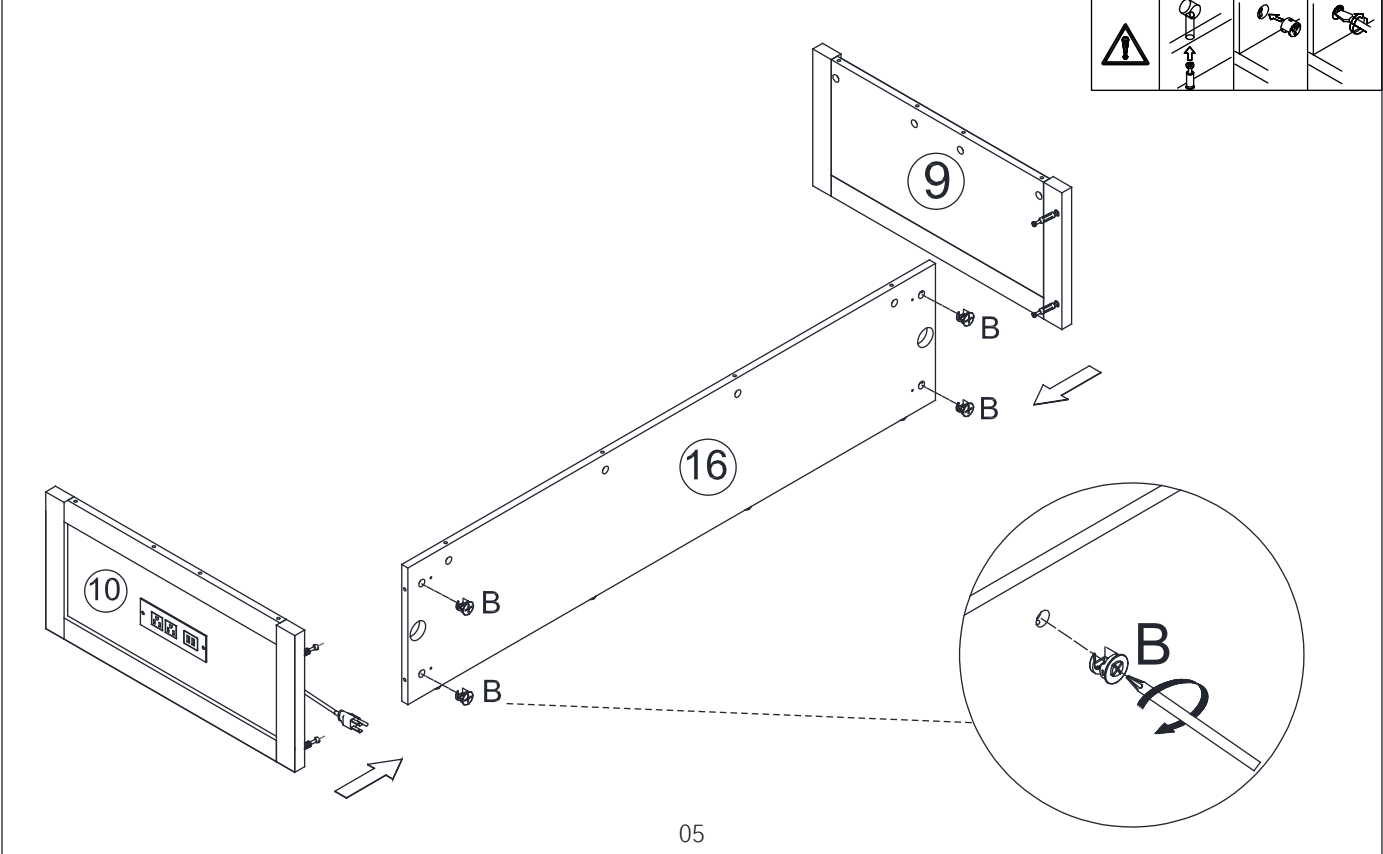


Step 2: Push Lever Up
Empujar hacia arriba
Lever le levier


1	<p>A x 4</p>  <p>Ø6 x 39mm</p>	<p>L x 2</p>  <p>Ø3.5 x 14mm</p>	<p>I x 1</p>  <p>162X55X40mm</p>	
---	---	---	---	---



2	<p>B x 4</p>  <p>Ø15 x 10mm</p>	
---	--	---

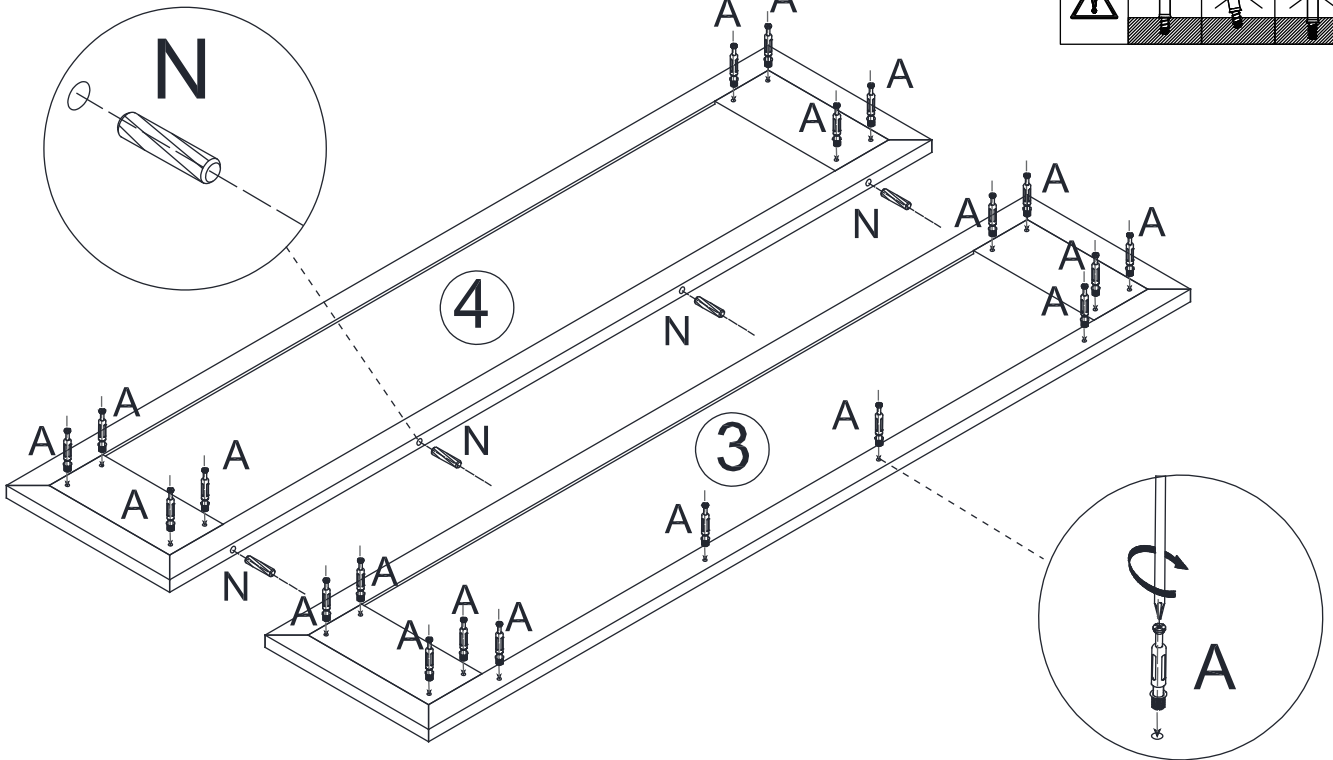
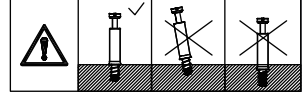
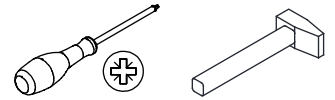


3


A x 20

Ø6 x 39mm

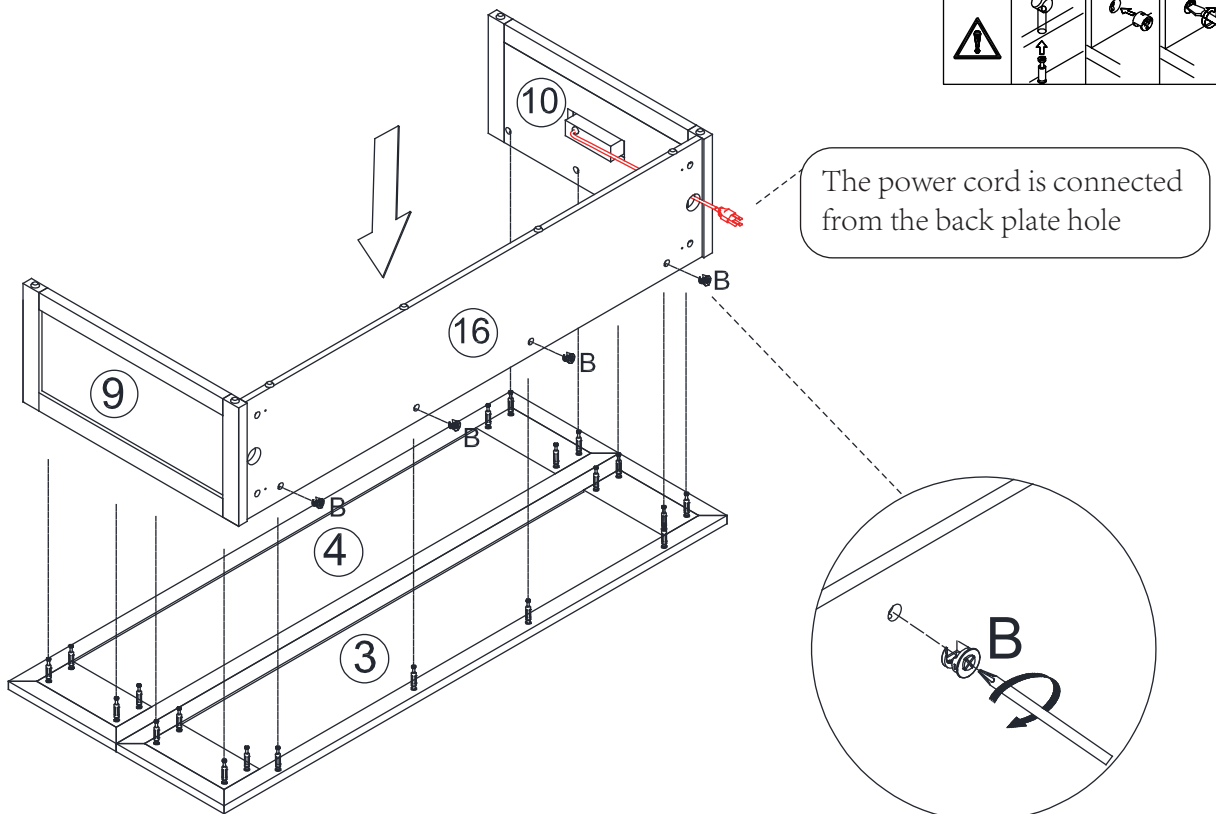
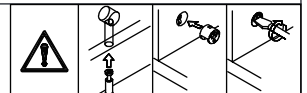
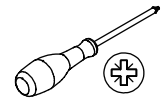
N x 4

M10 x 40mm



4

B x 4

Ø15 x 10mm

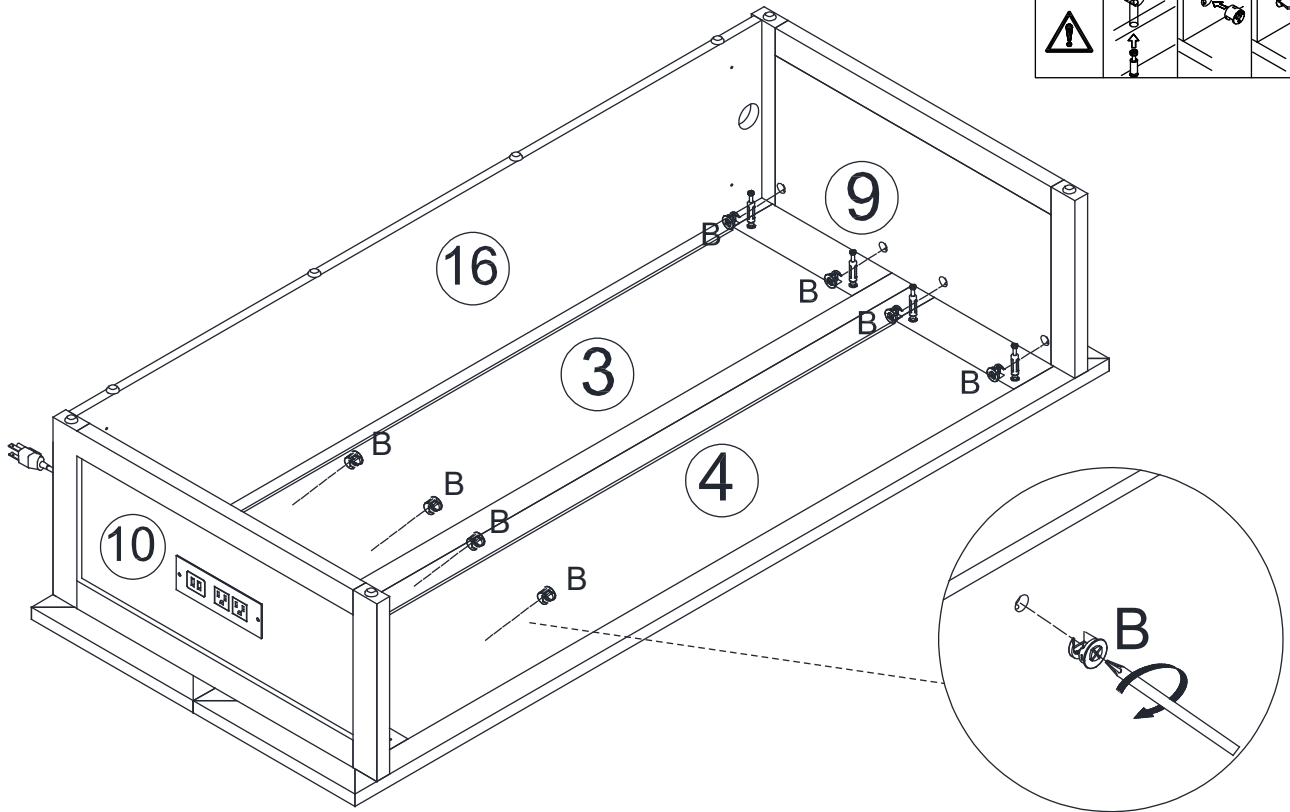
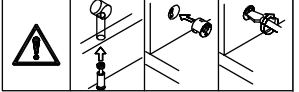
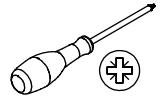


5

B x 8



Ø15 x 10mm



6

J x 2

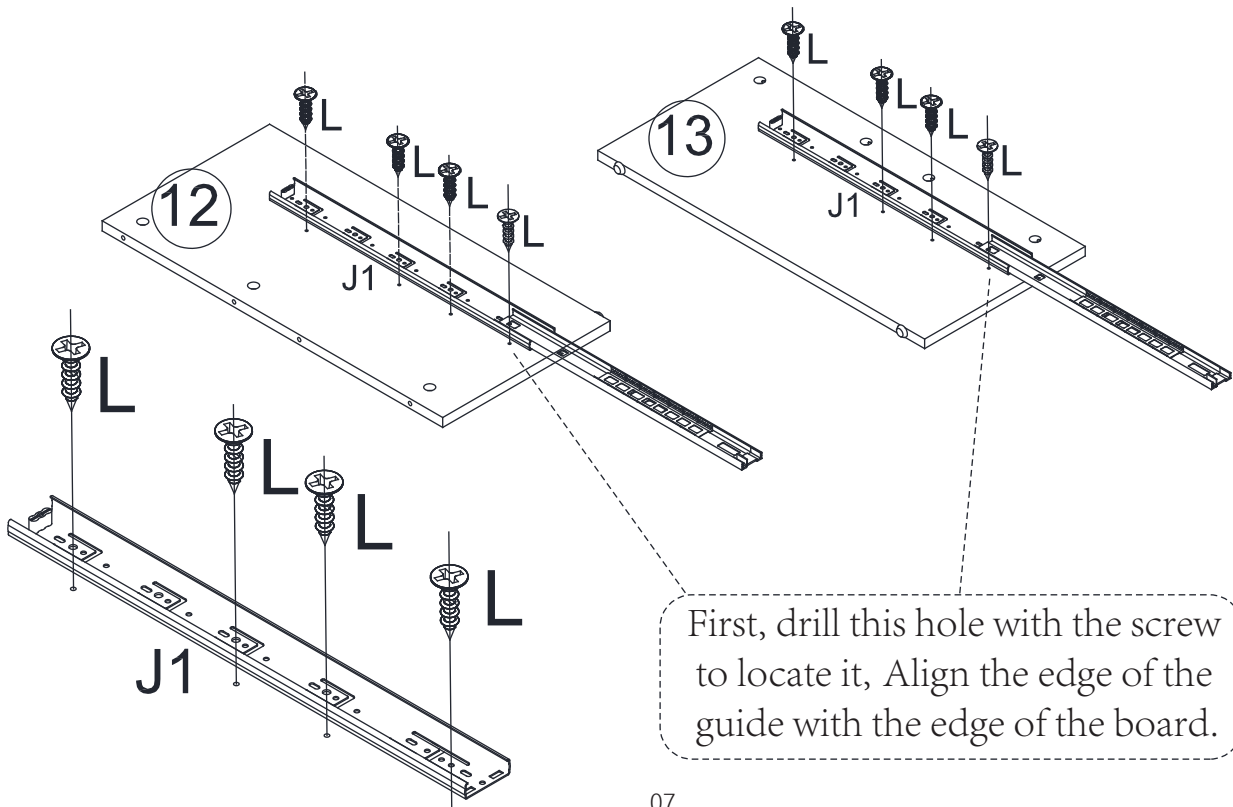
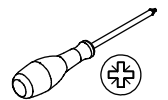


490mm

L x 8



Ø3.5 x 14mm

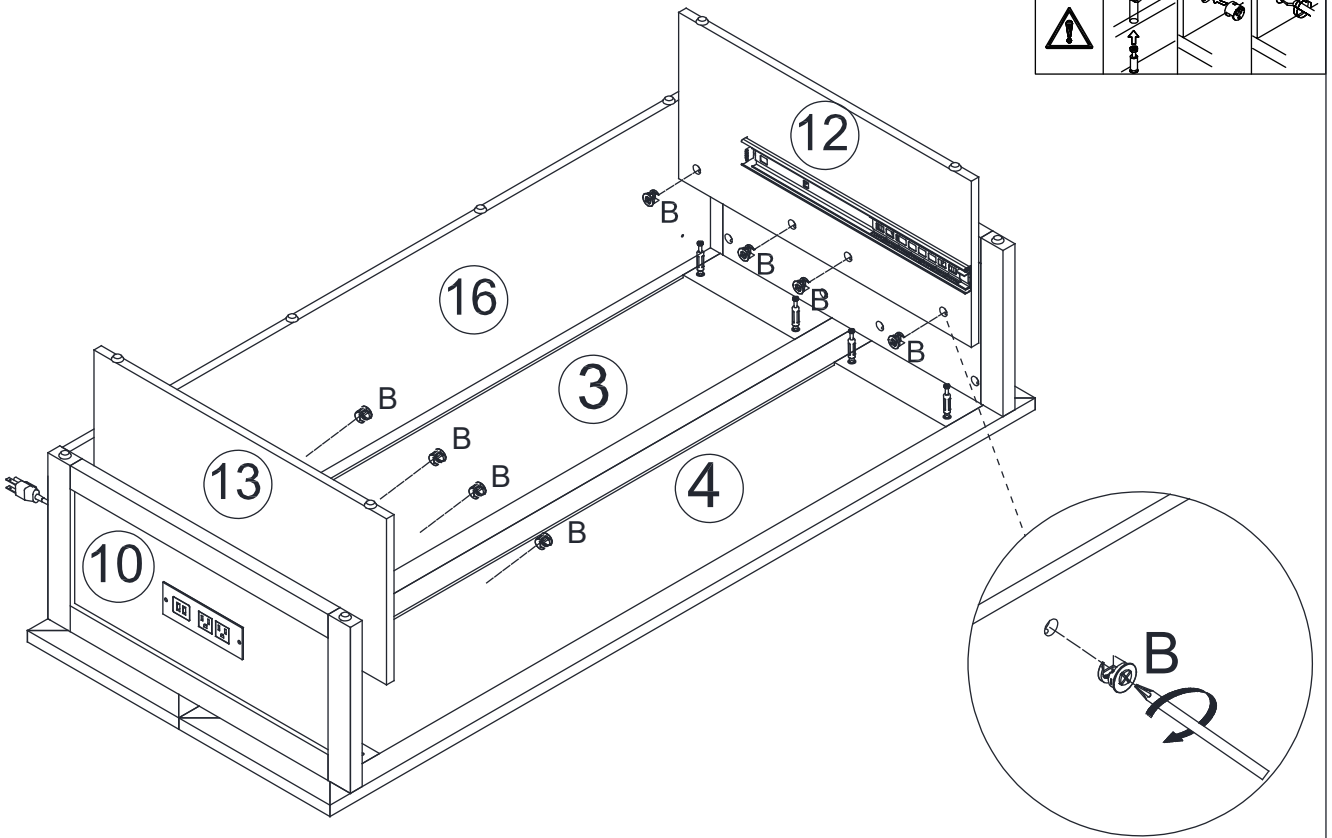
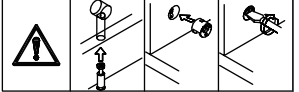
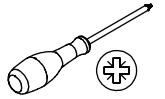


7

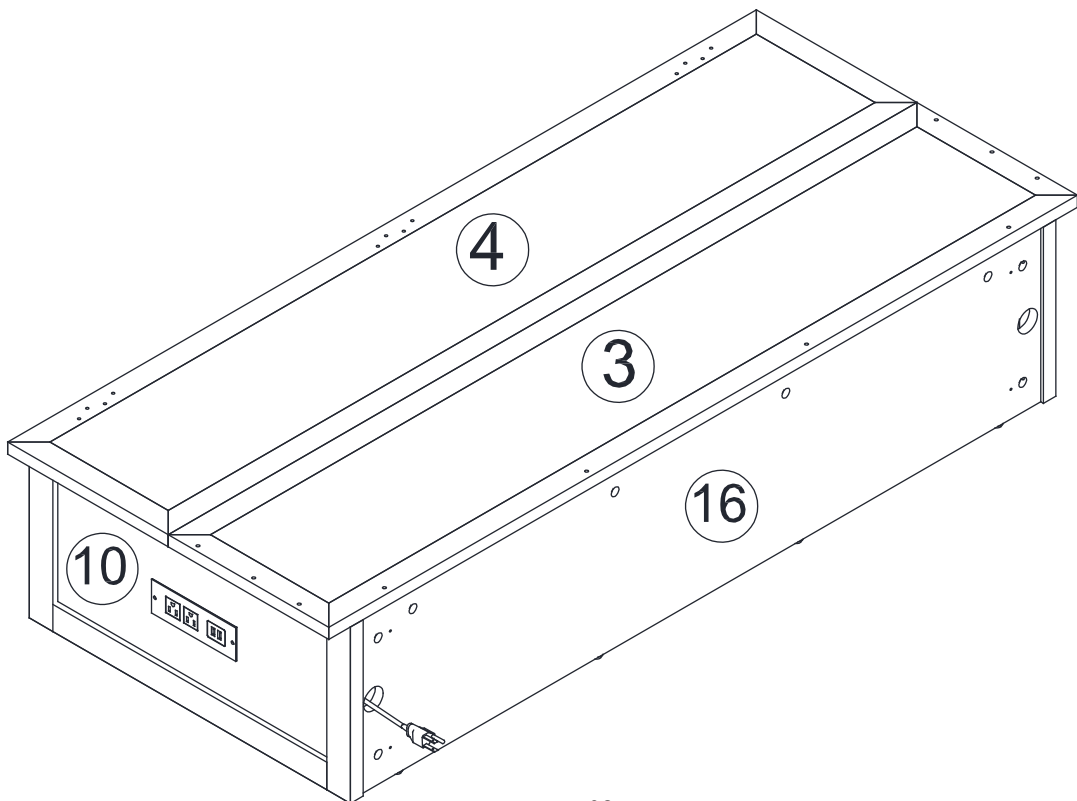
B x 8



Ø15 x 10mm



8

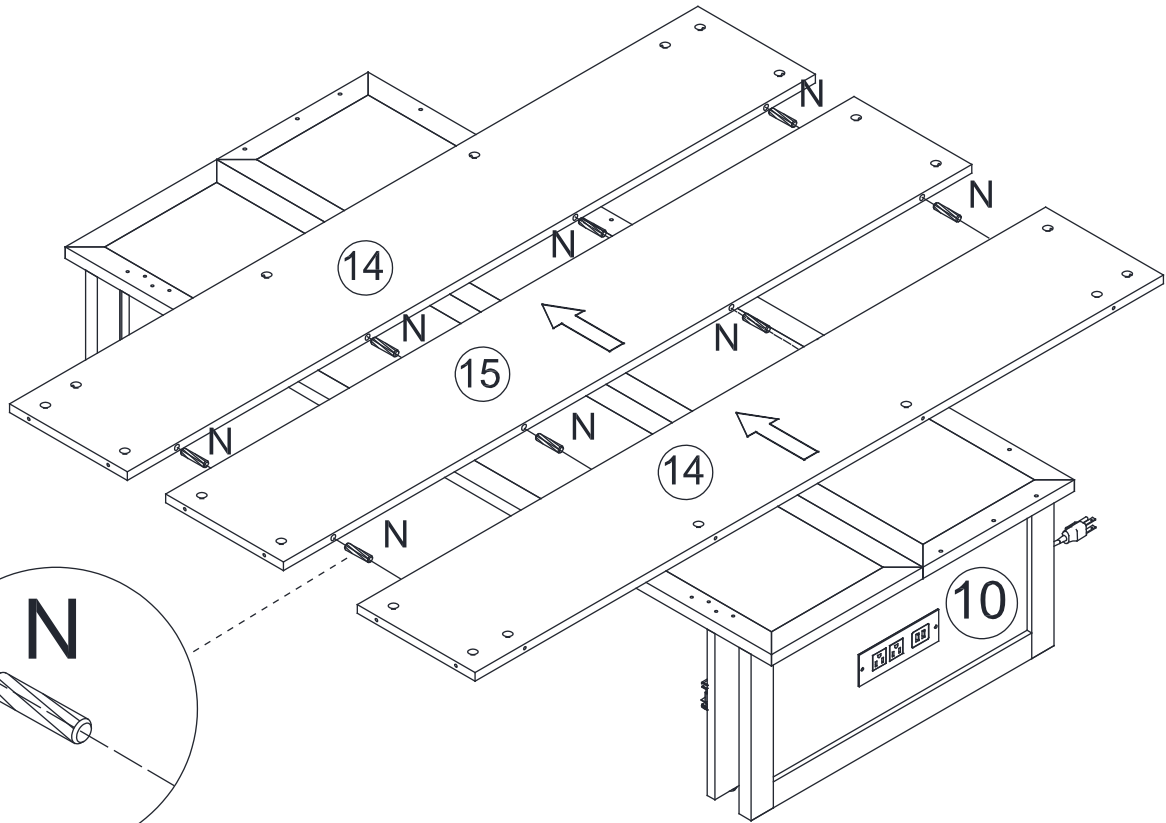
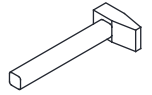


9

N x 8



M10 x 40mm

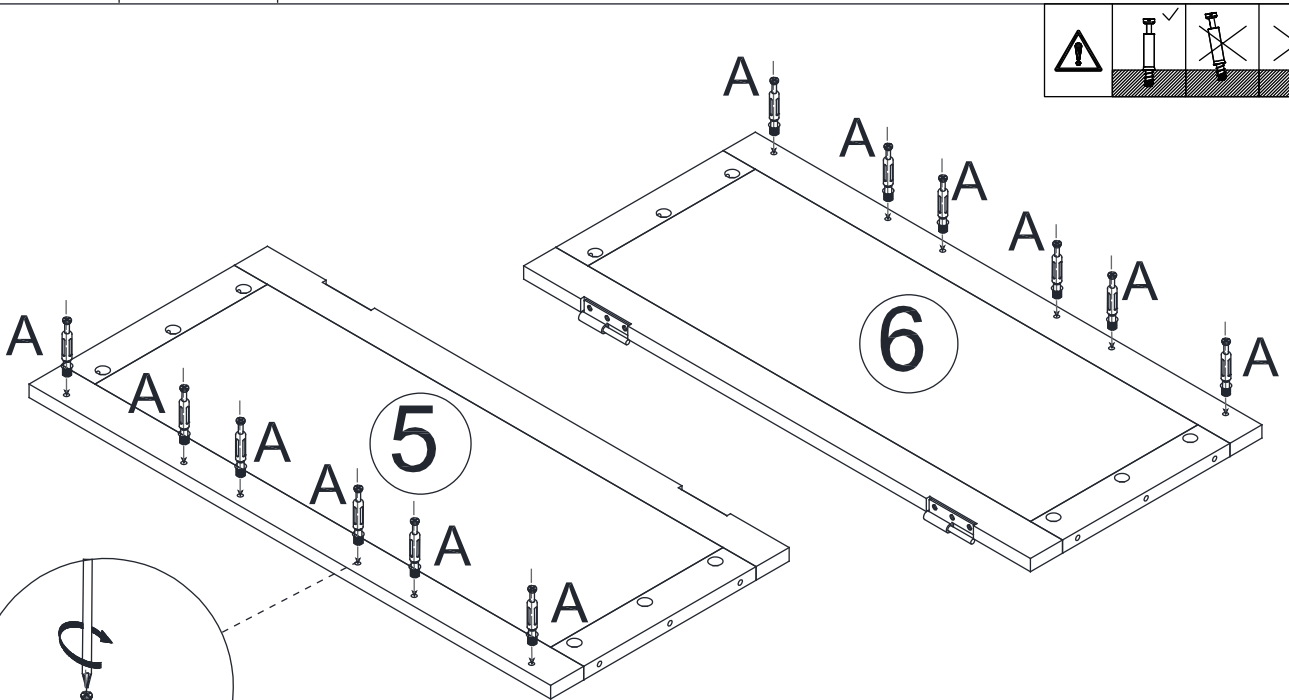
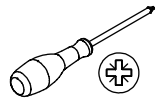


10

A x 12



Ø6 x 39mm

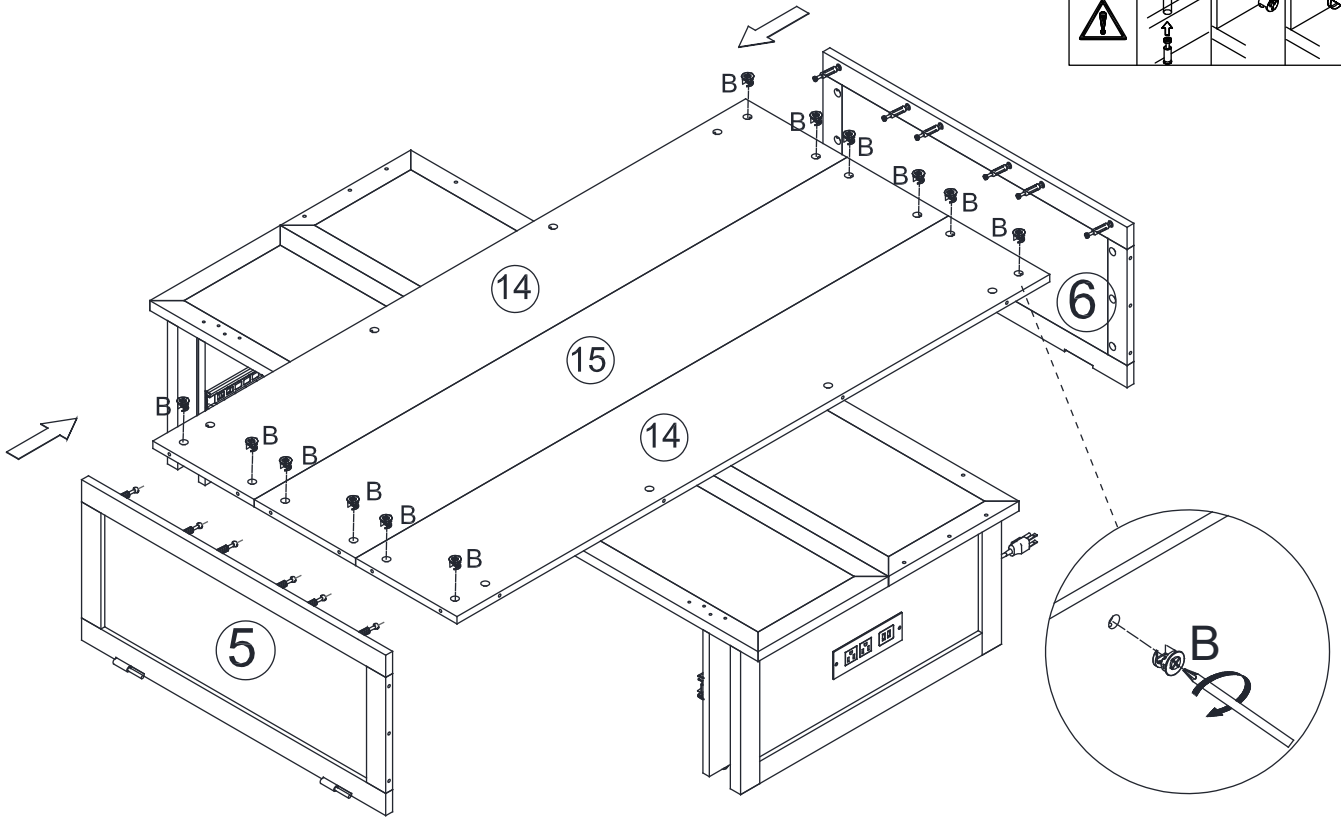
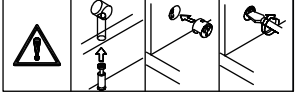
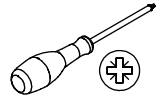


11

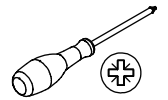
B x 12



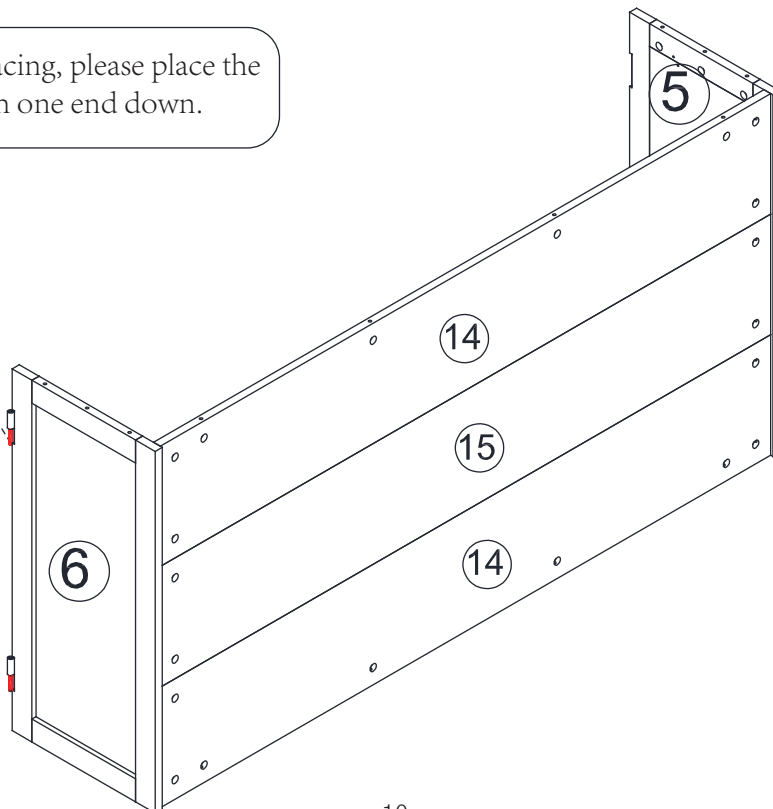
Ø15 x 10mm



12



Note: that when placing, please place the connecting rod with one end down.

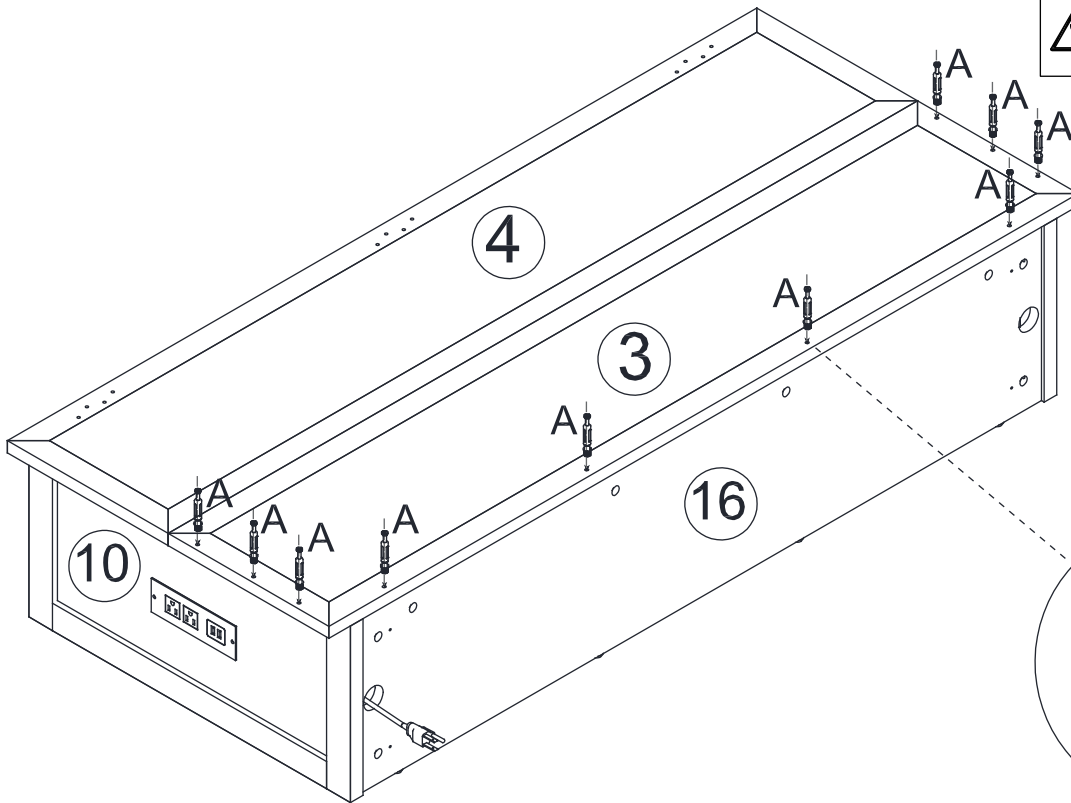
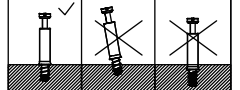
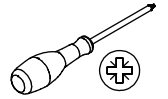


13

A x 10



Ø6 x 39mm

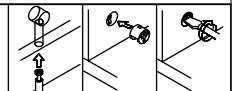
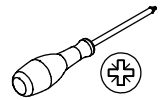


14

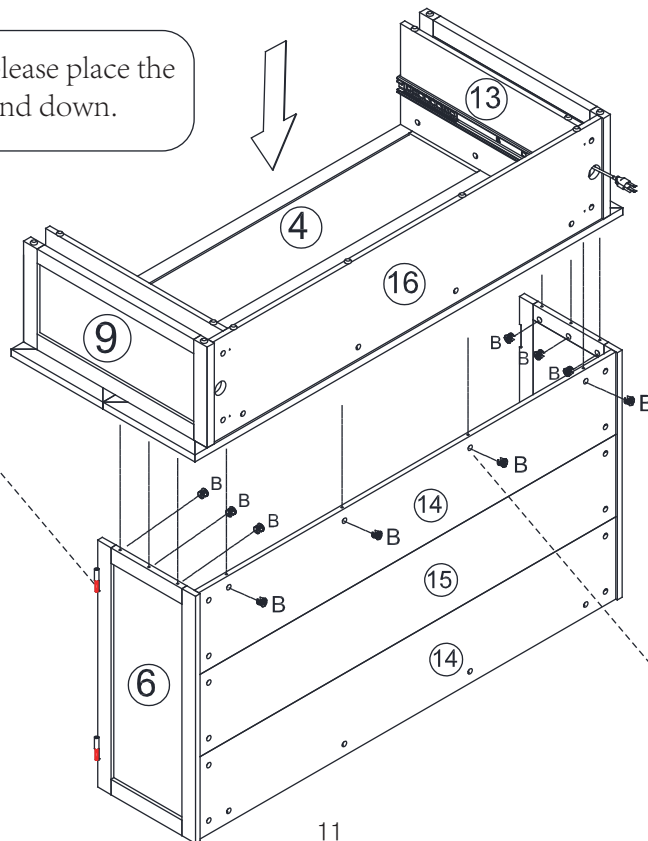
B x 10



Ø15 x 10mm



Note: that when placing, please place the connecting rod with one end down.

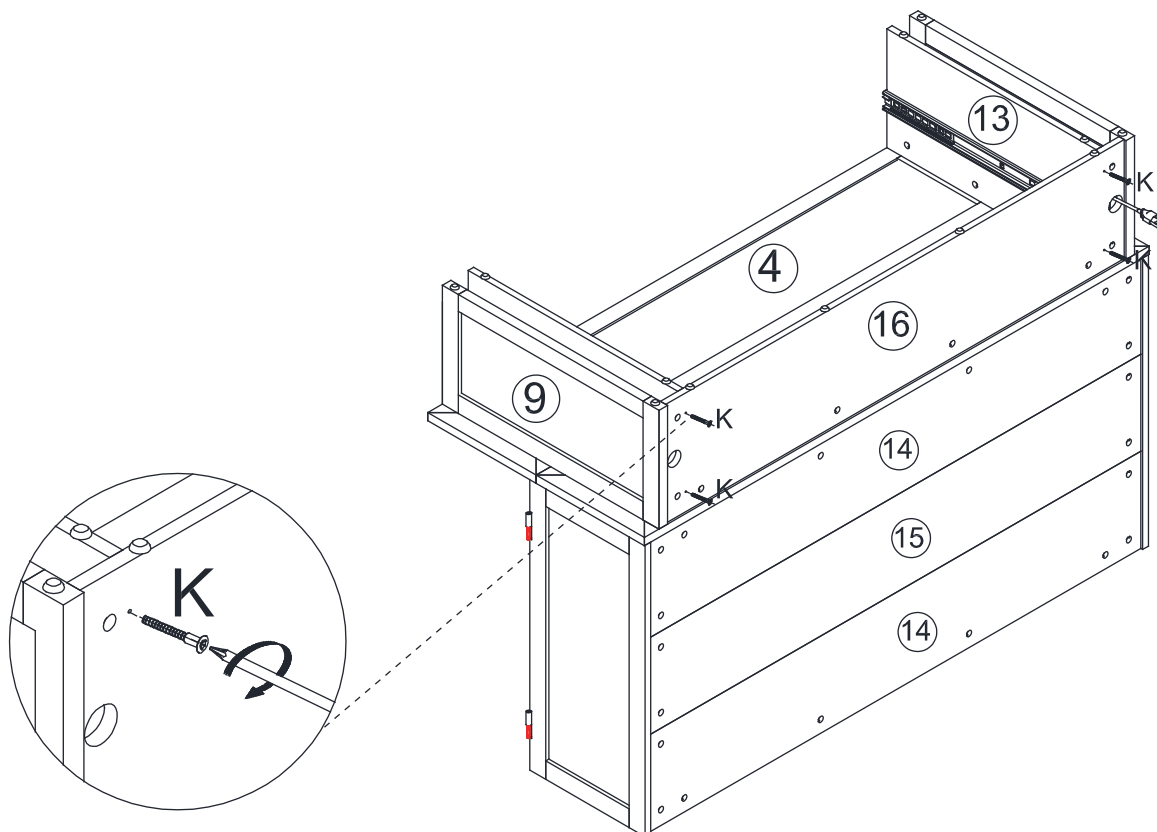
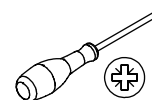


15

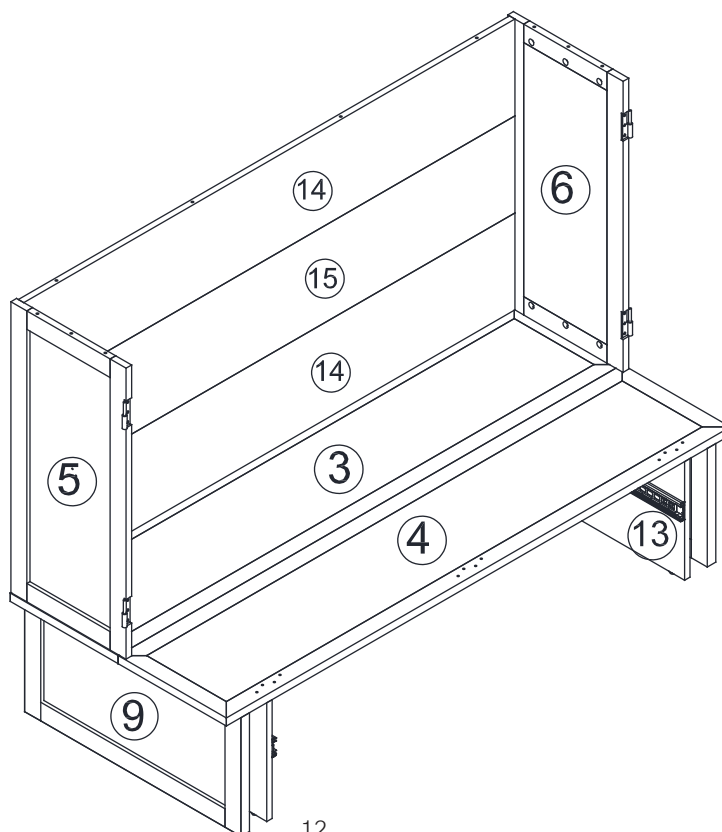
K x 4



M7 x 38mm



16

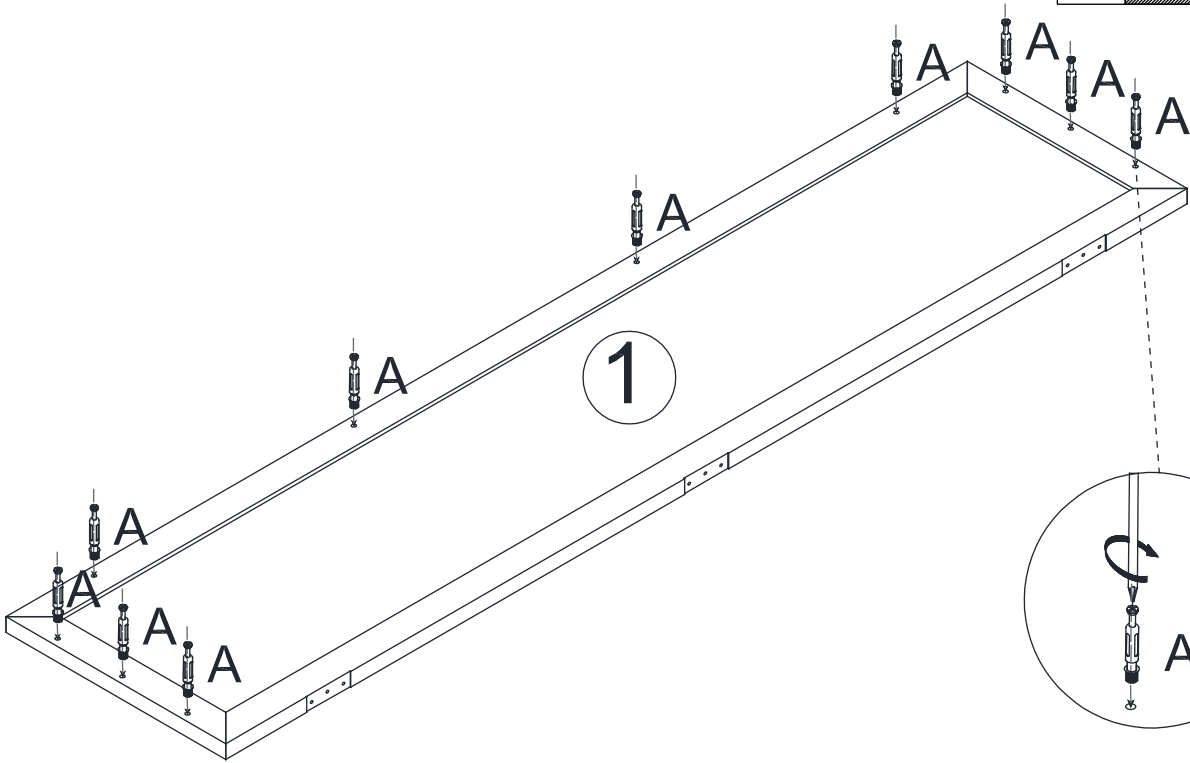
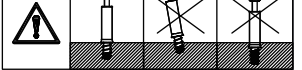
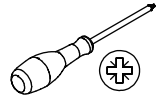


17

A x 10



Ø6 x 39mm

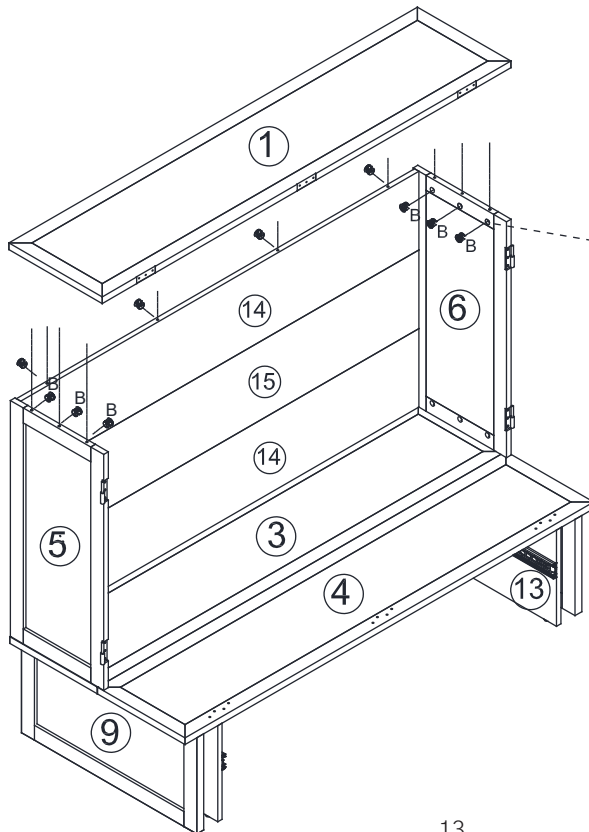
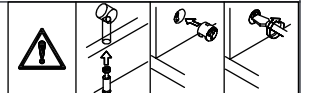
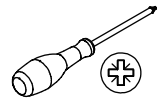


18

B x 10



Ø15 x 10mm



19

C x 3

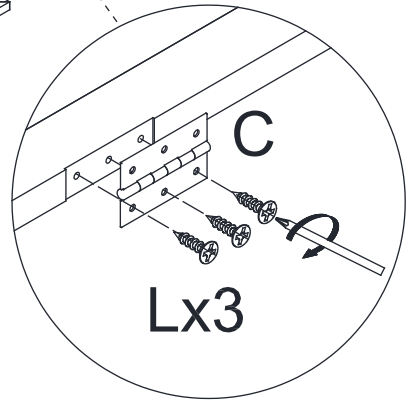
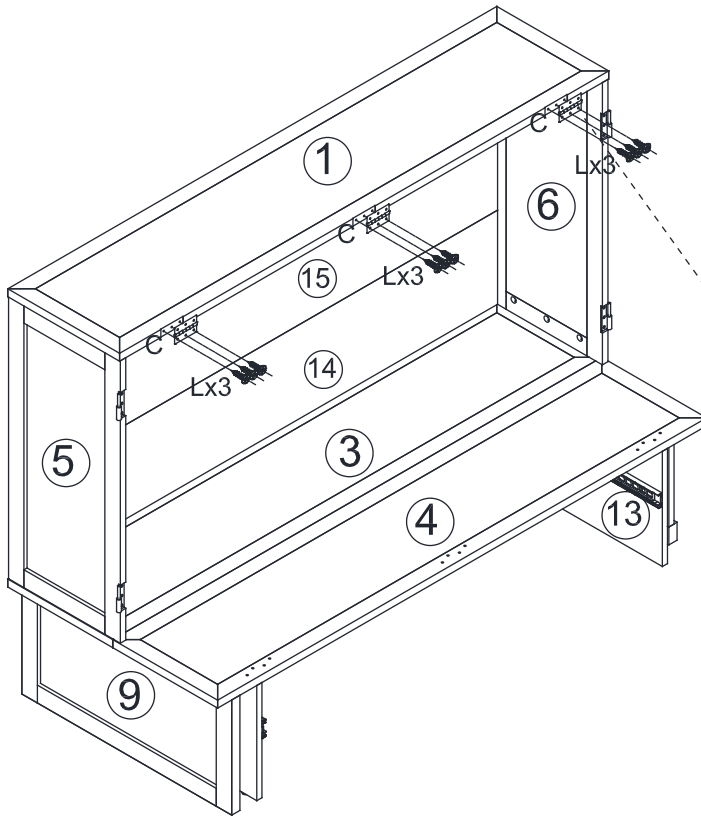
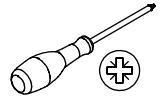


64 x 23mm

L x 9



Ø3.5 x 14mm

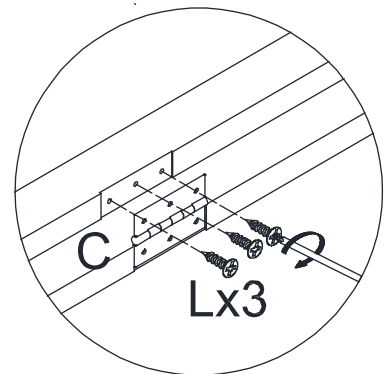
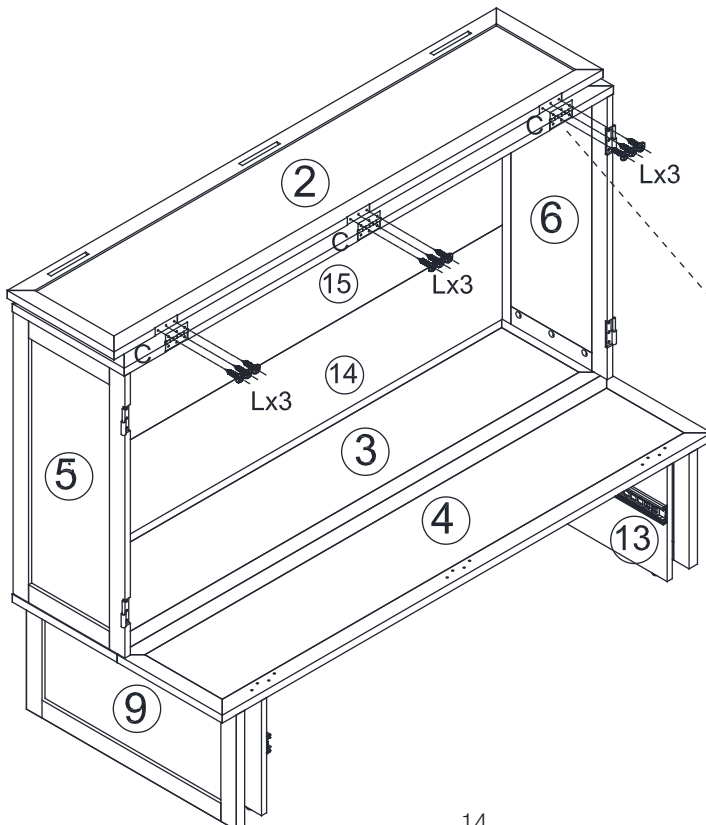
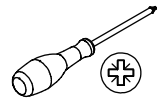


20

L x 9



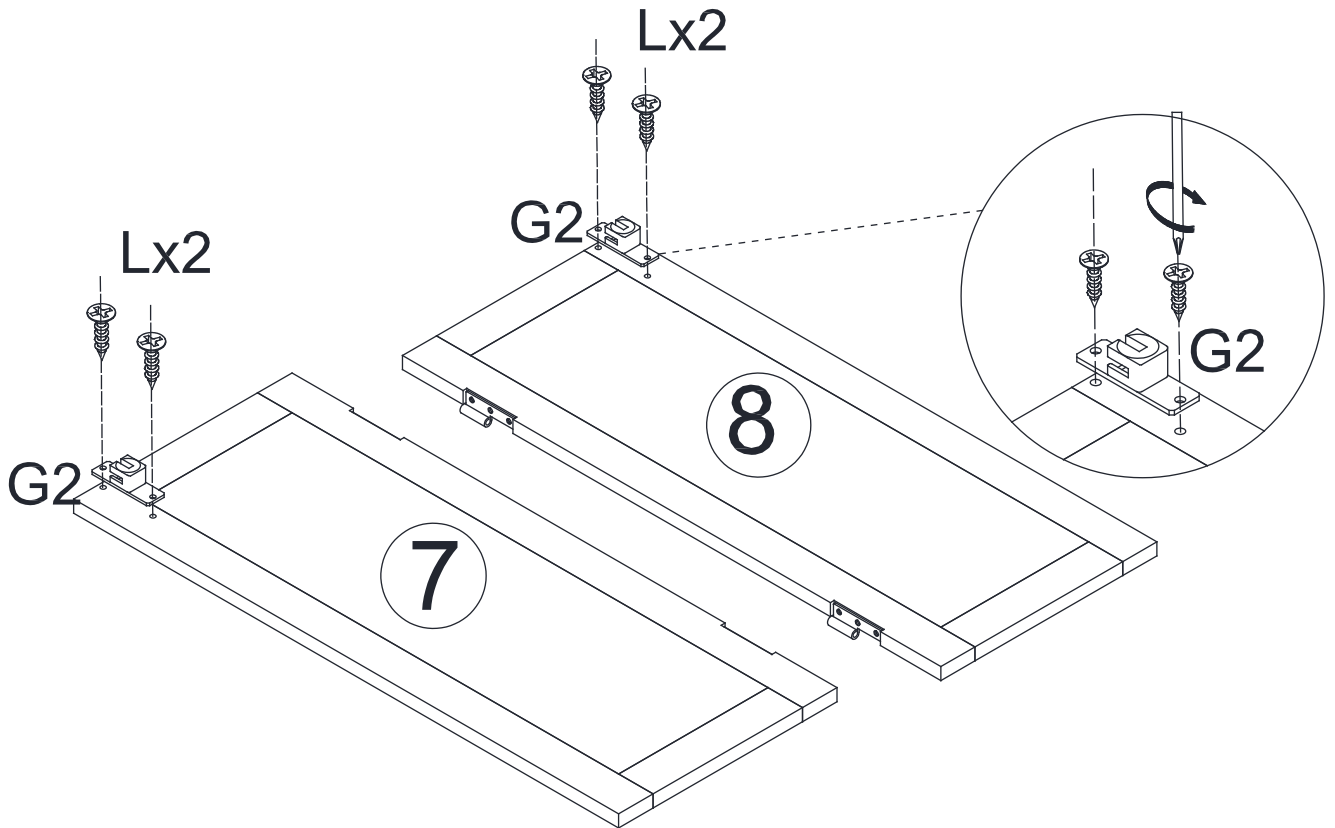
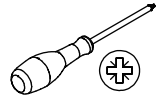
Ø3.5 x 14mm



21

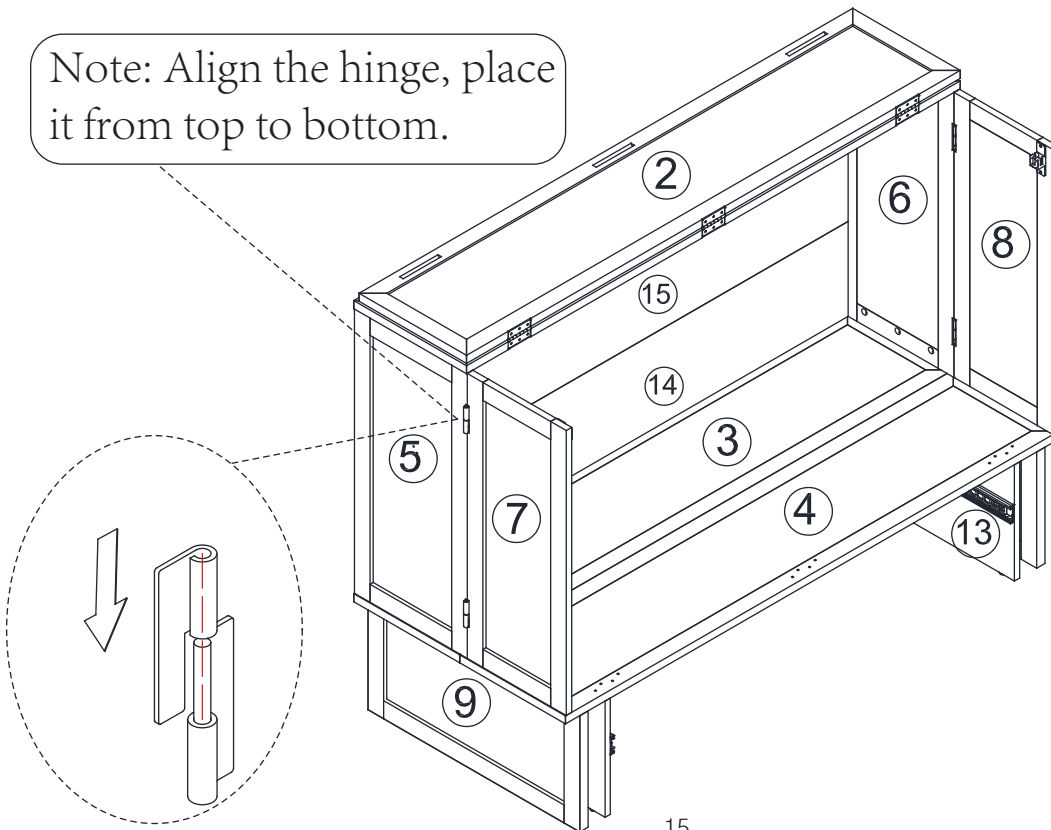
G x 2
G2
G1
75 x 23 x 20 mm

L x 4
Ø3.5 x 14 mm

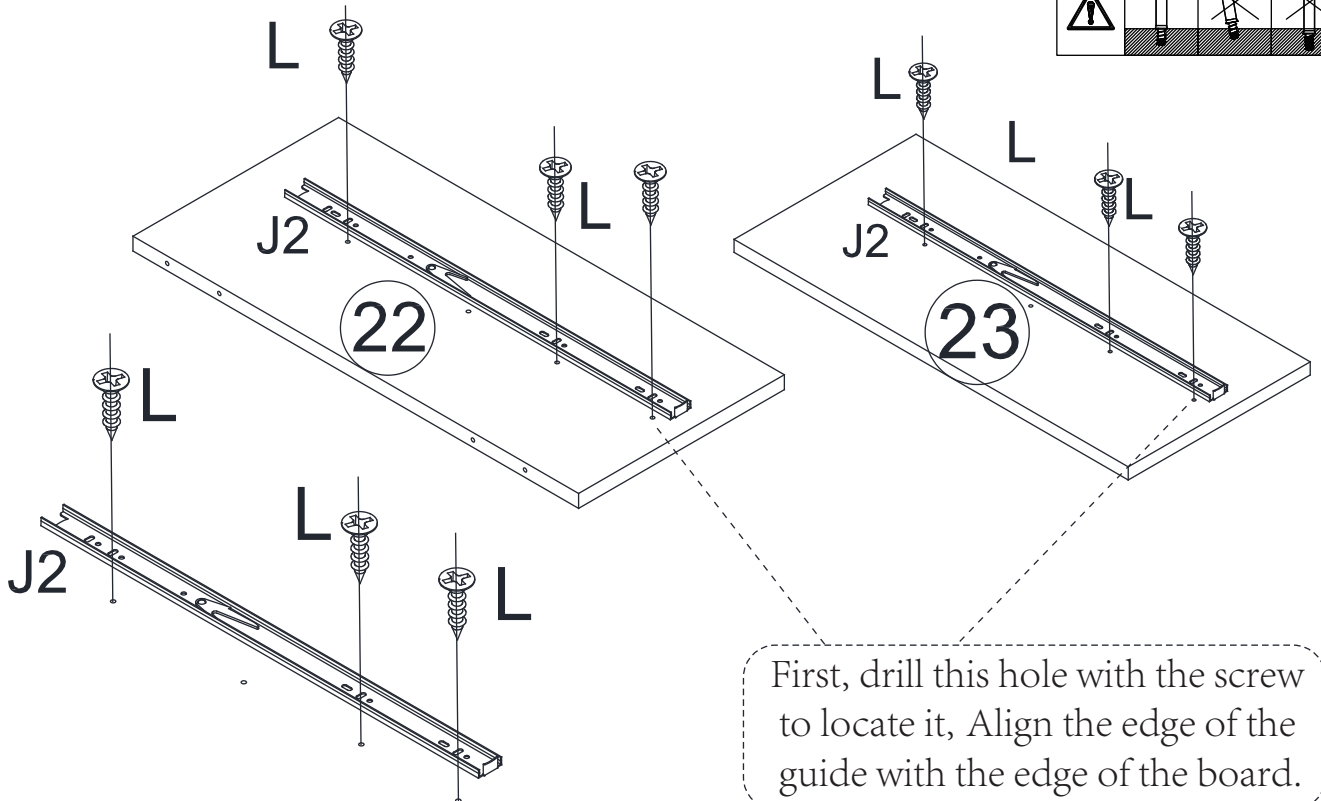
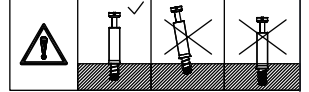
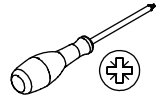
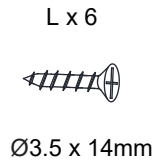


22

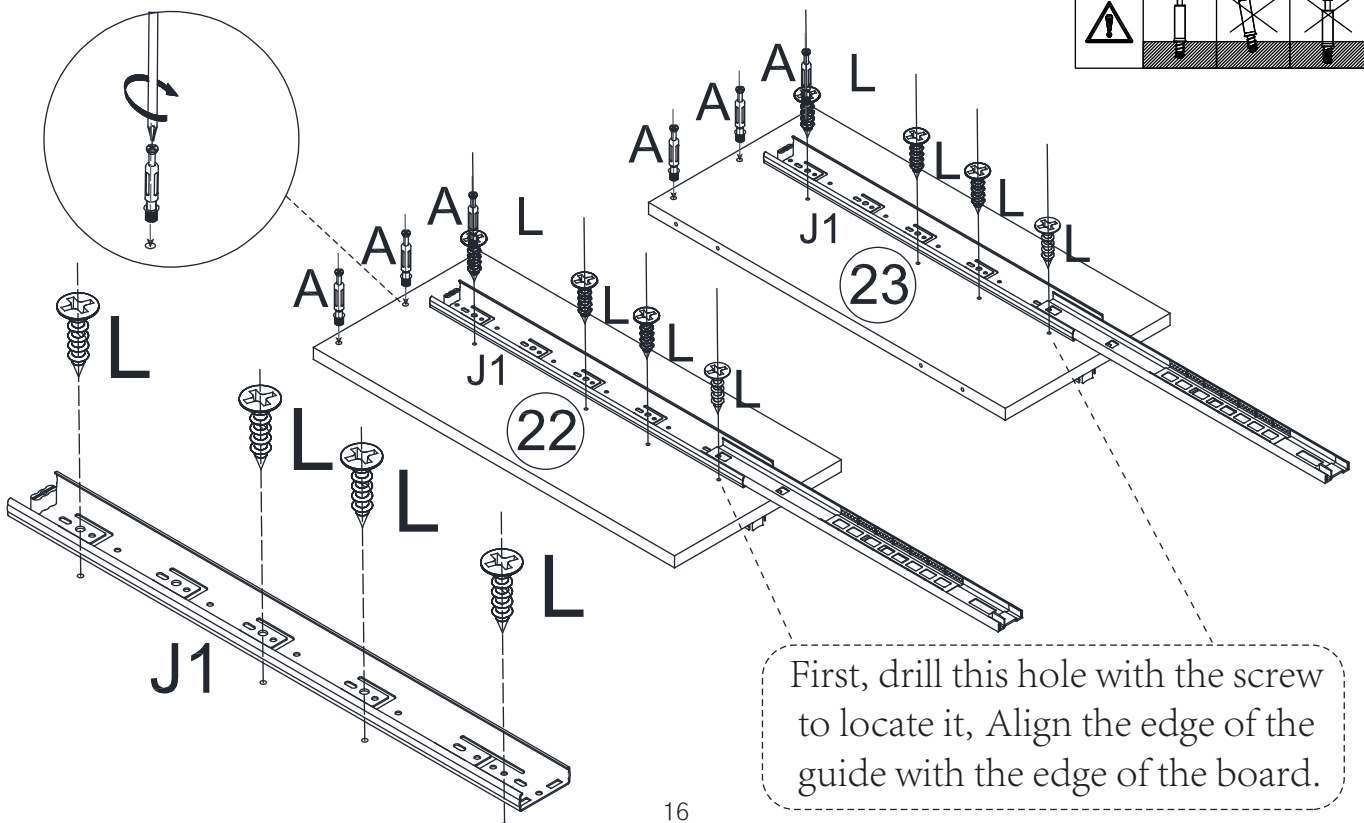
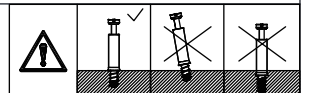
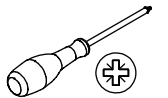
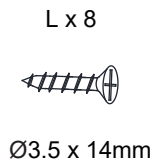
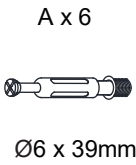
Note: Align the hinge, place it from top to bottom.



23



24

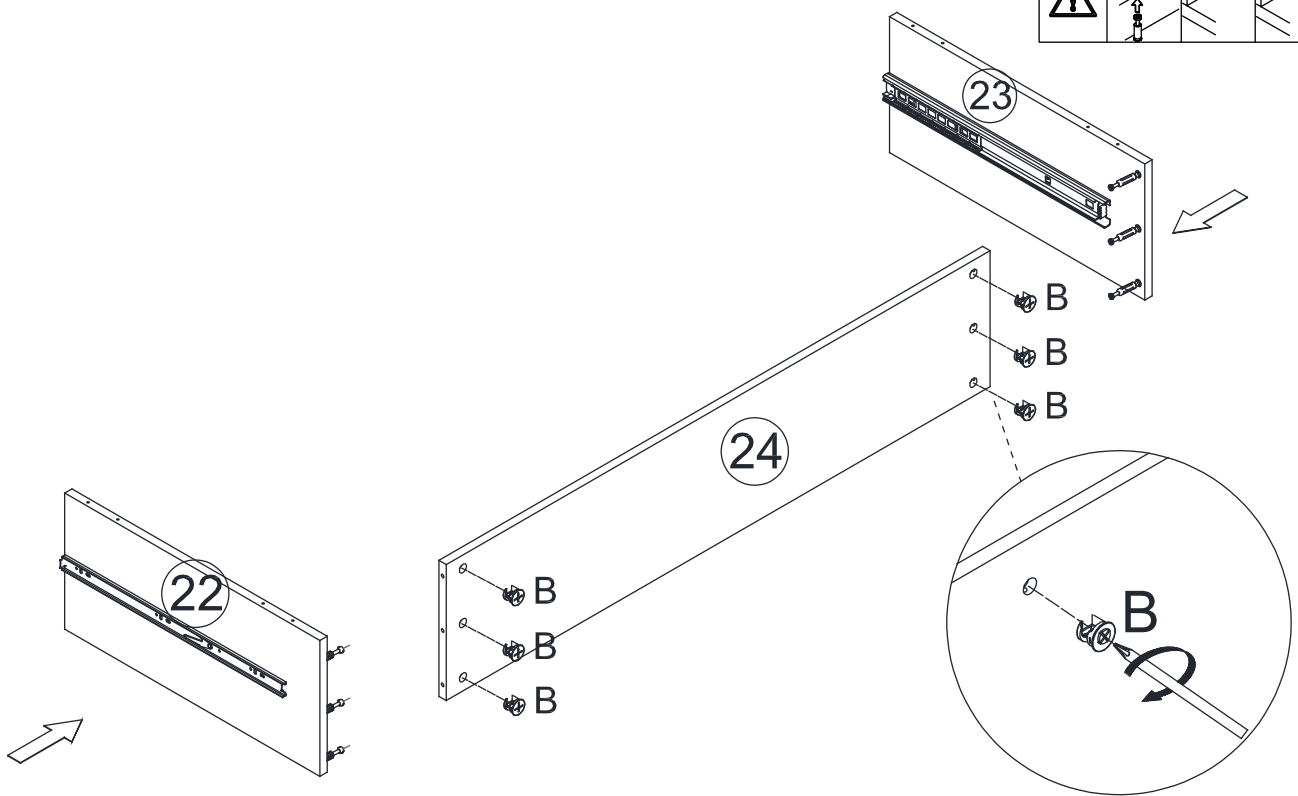
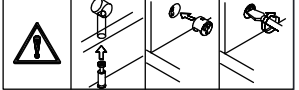
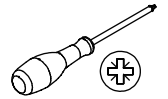


25

B x 6



Ø15 x 10mm



26

H x 4

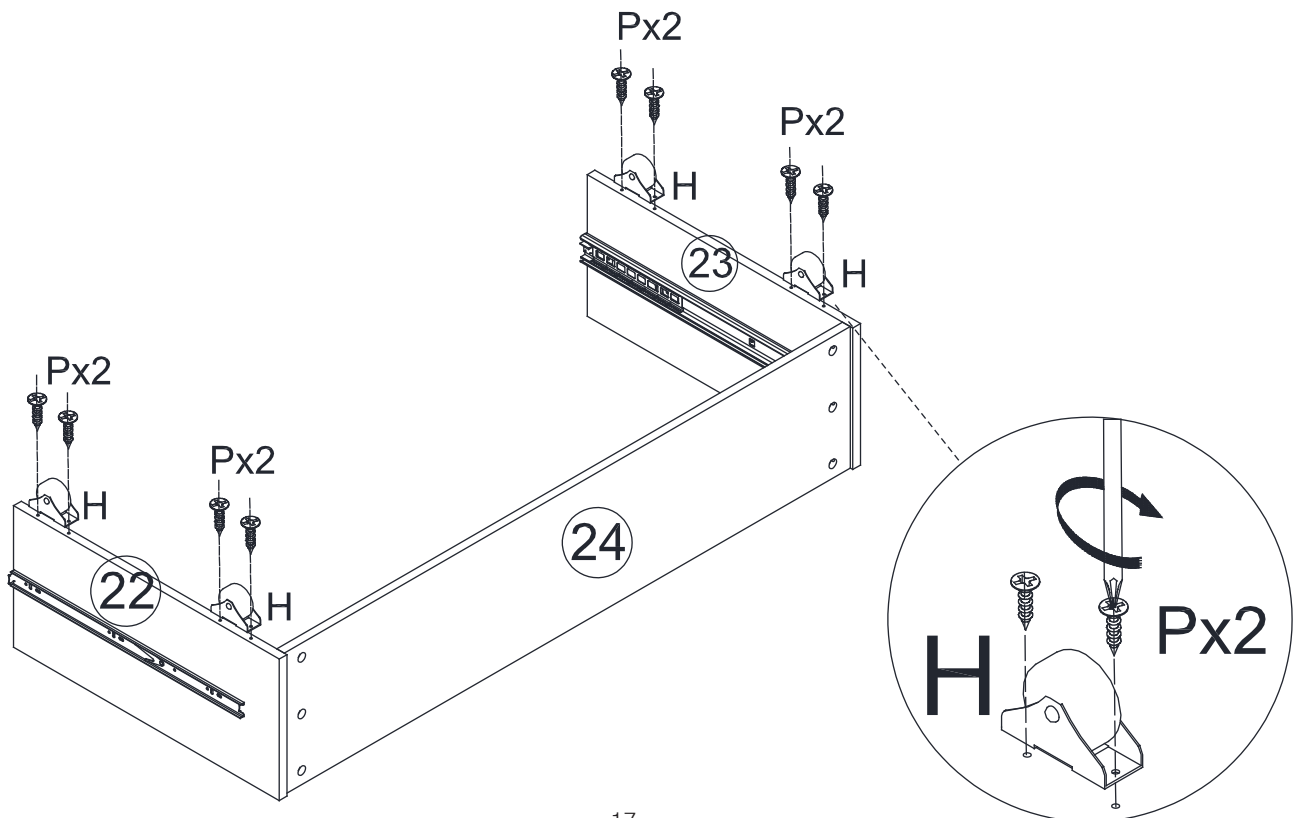
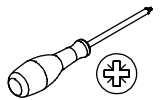



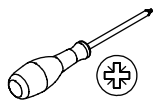
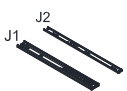

H52mm

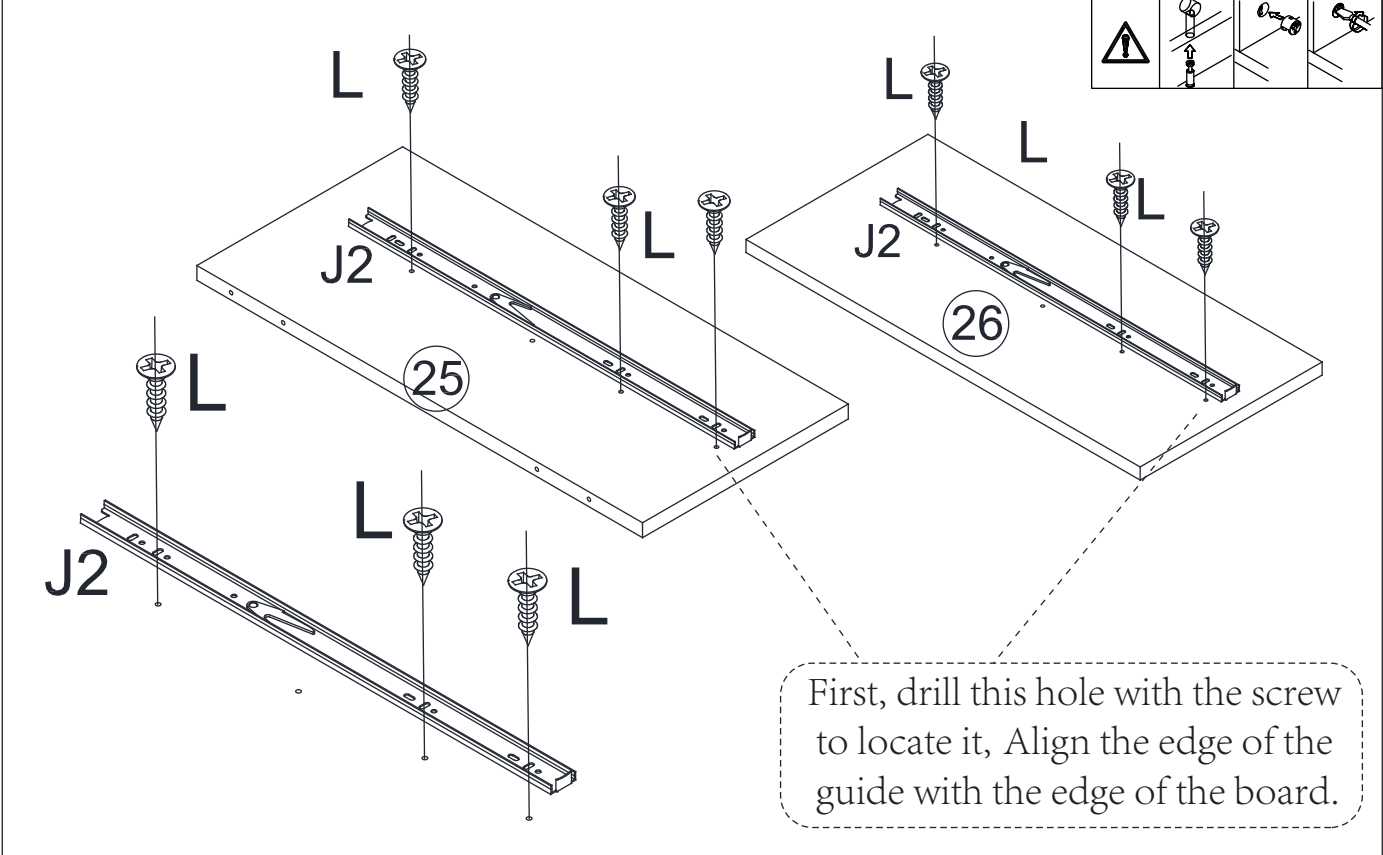
Px 8




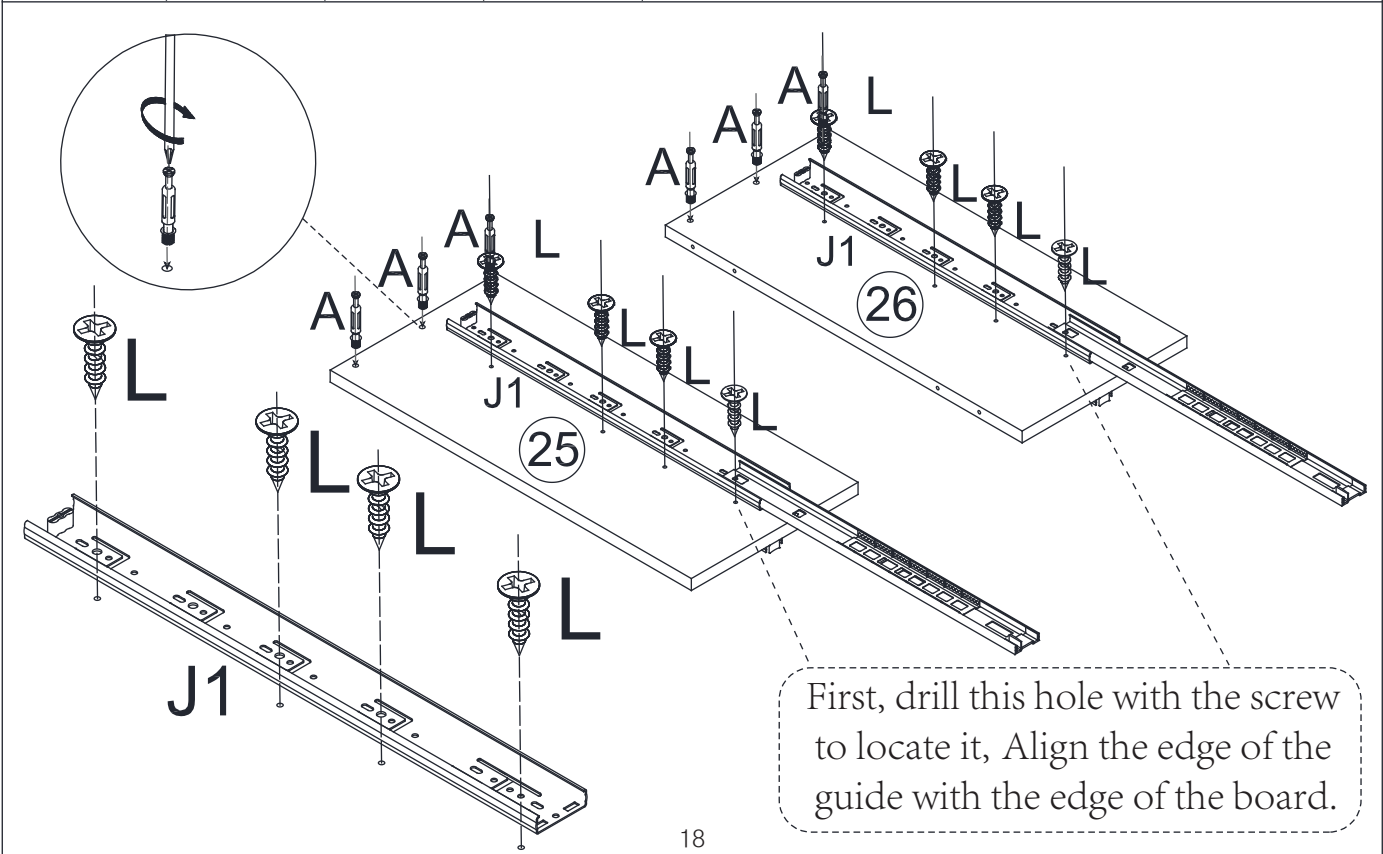
Ø4 x 14mm



27	J x 2	L x 6	 Ø3.5 x 14mm	
	 490mm			



28	A x 6	J x 2	L x 8	
	 Ø6 x 39mm	 490mm	 Ø3.5 x 14mm	

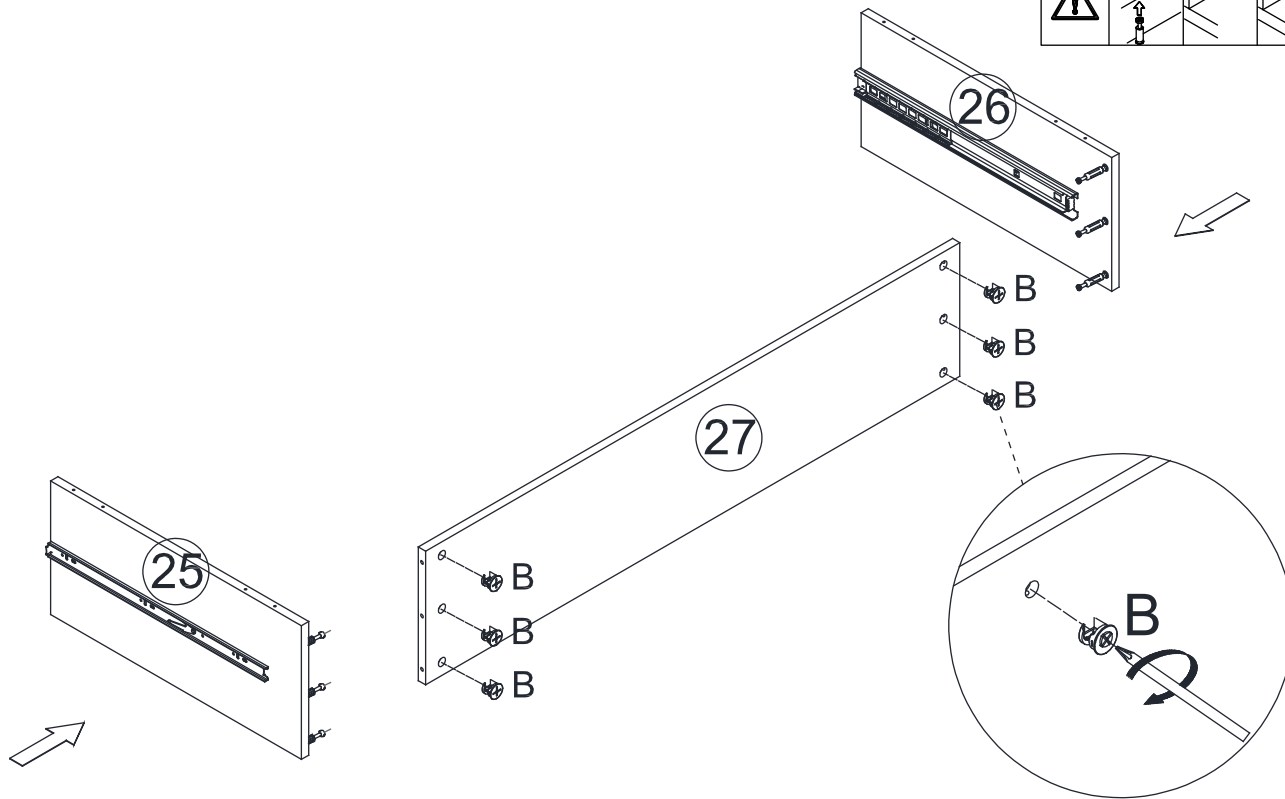
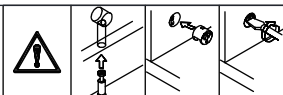
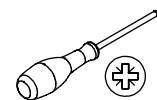


29

B x 6



Ø15 x 10mm



30

H x 4

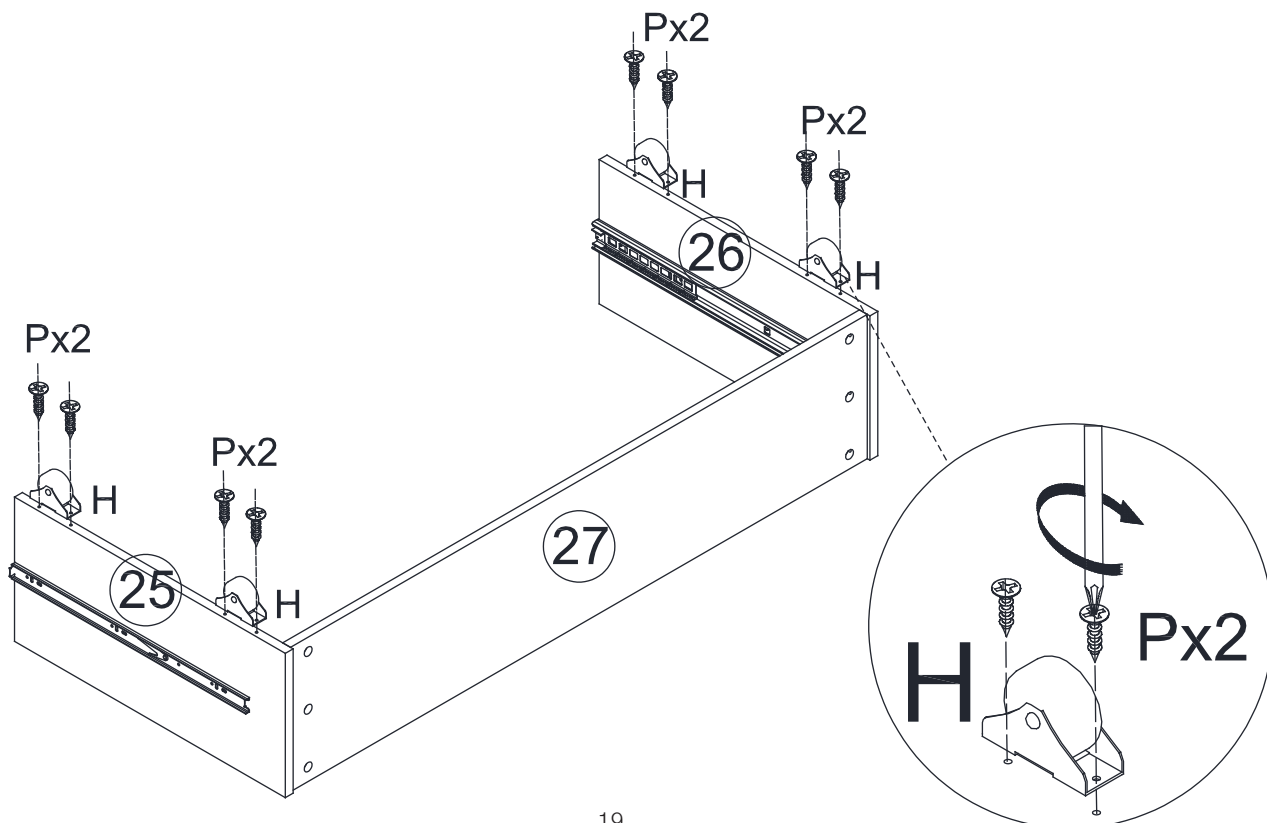
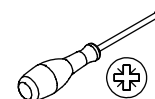


H52mm

P x 8



Ø4 x 14mm

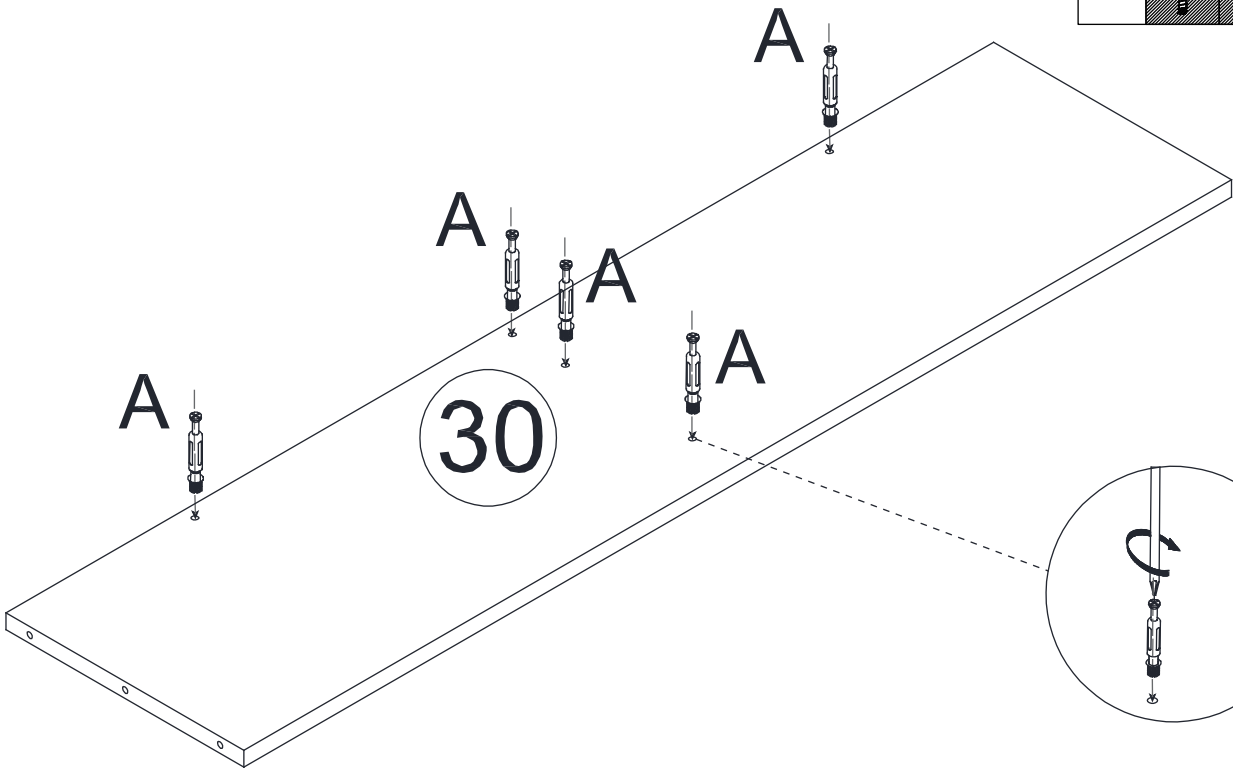
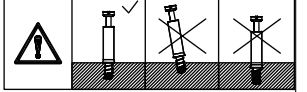
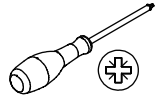


33

A x 5



Ø6 x 39mm

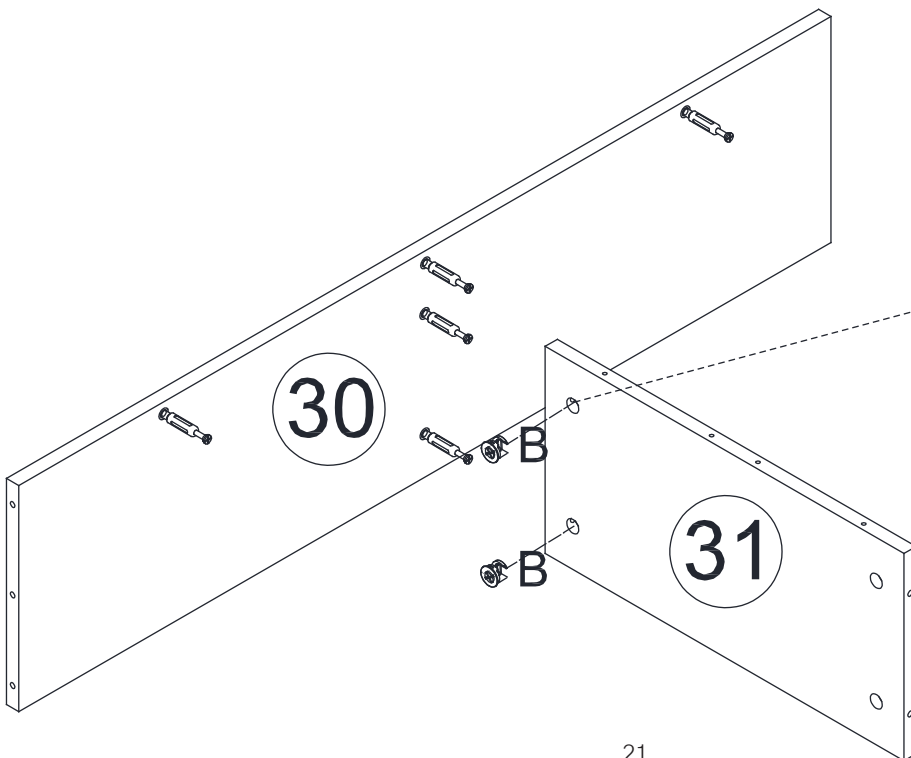
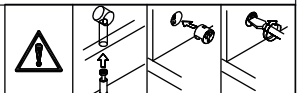
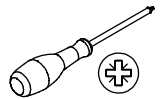


34

B x 2



Ø15 x 10mm

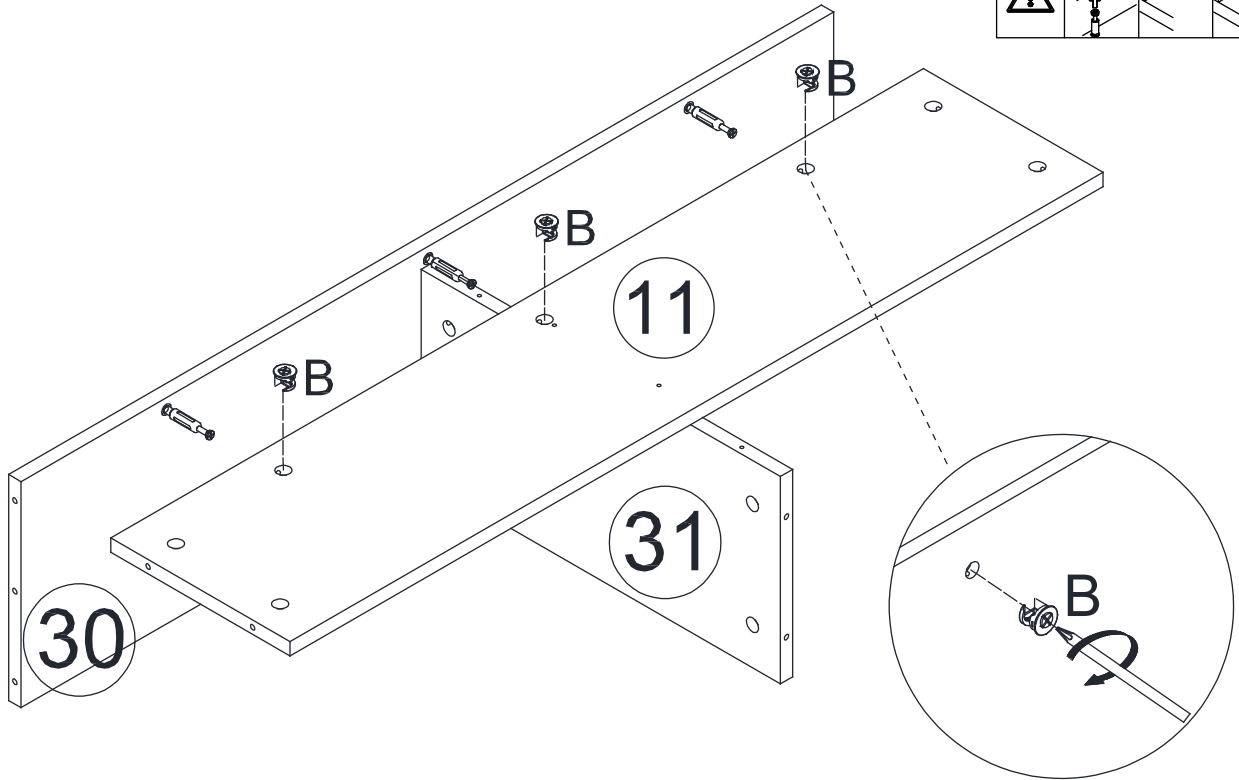
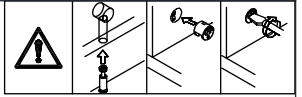
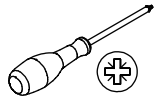


35

B x 3



Ø15 x 10mm

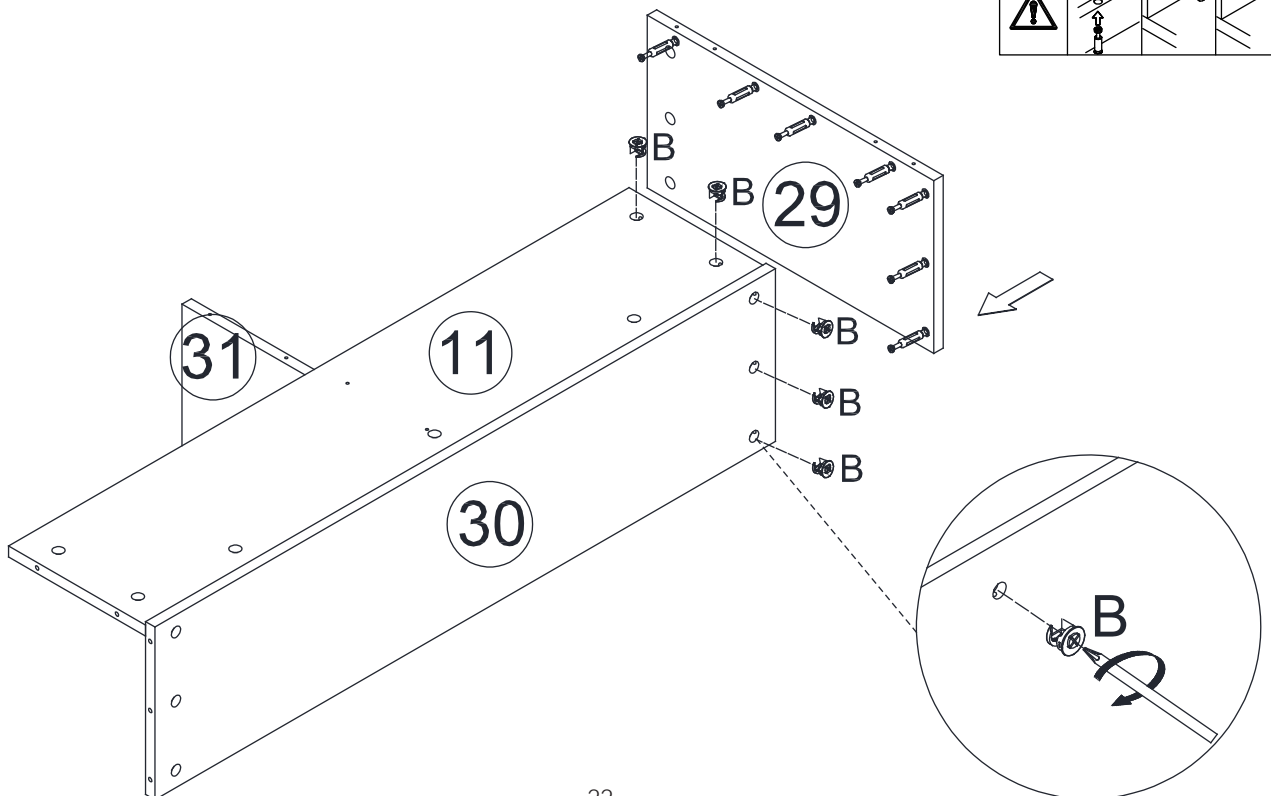
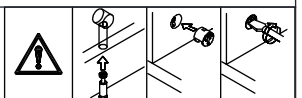
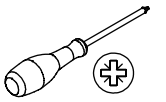


36

B x 5



Ø15 x 10mm

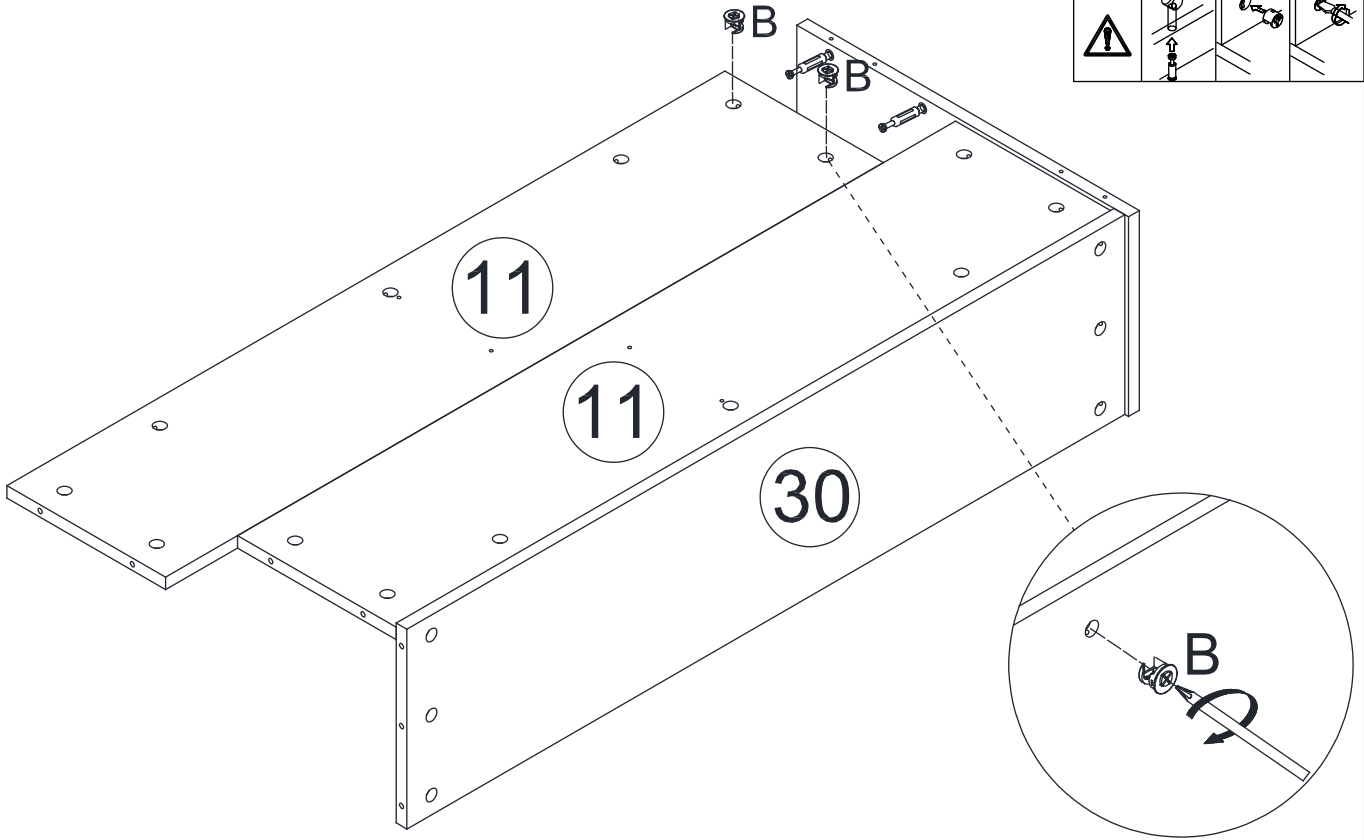
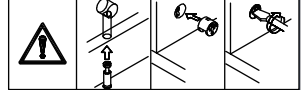
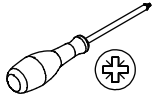


37

B x 2



Ø15 x 10mm

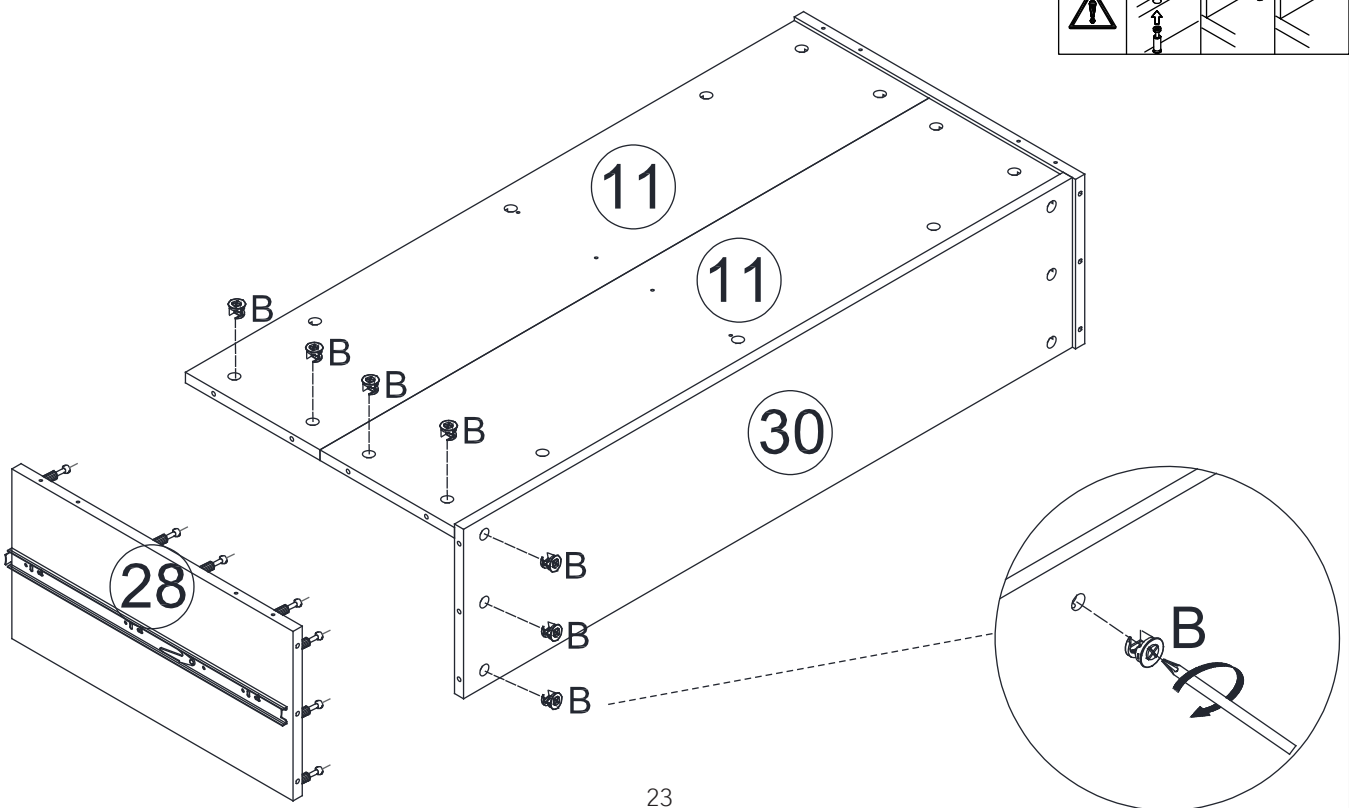
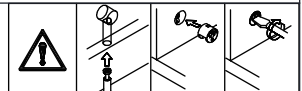
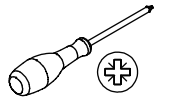


38

B x 7



Ø15 x 10mm



39

H x 4

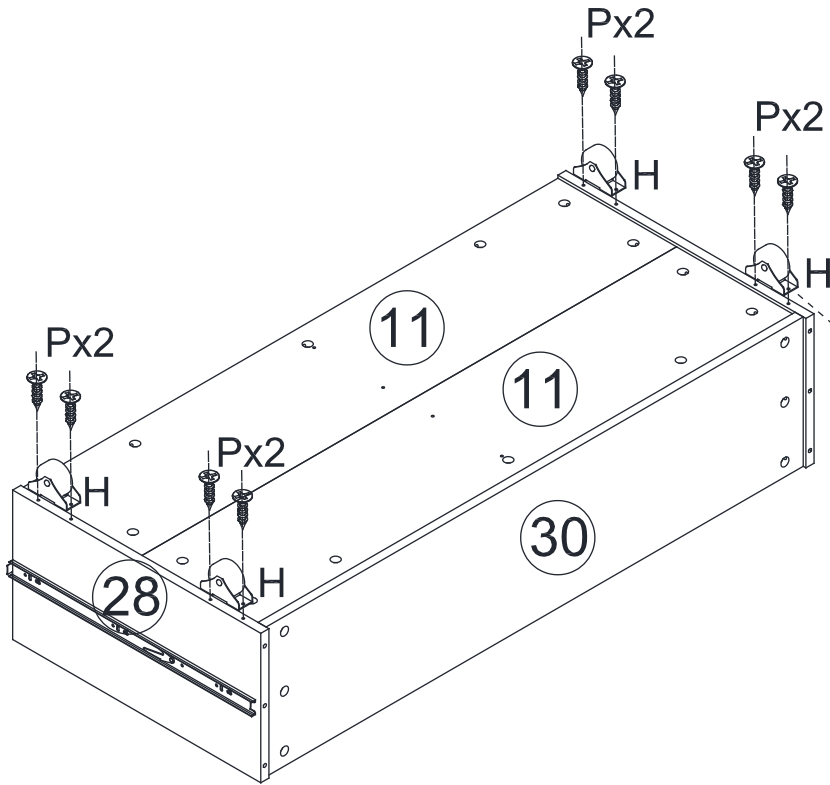
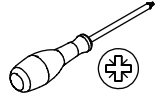


H52mm

P x 8



Ø4 x 14mm

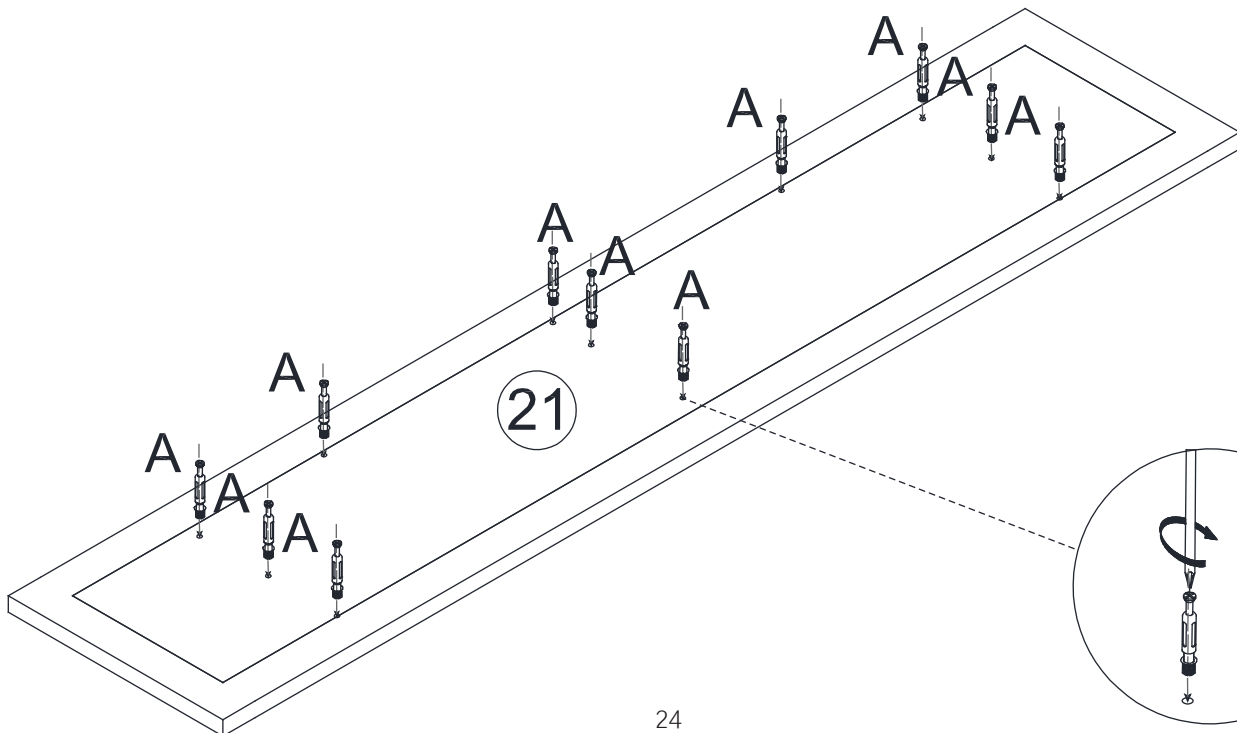
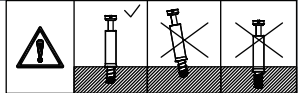
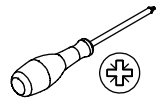


40

A x 11



Ø6 x 39mm

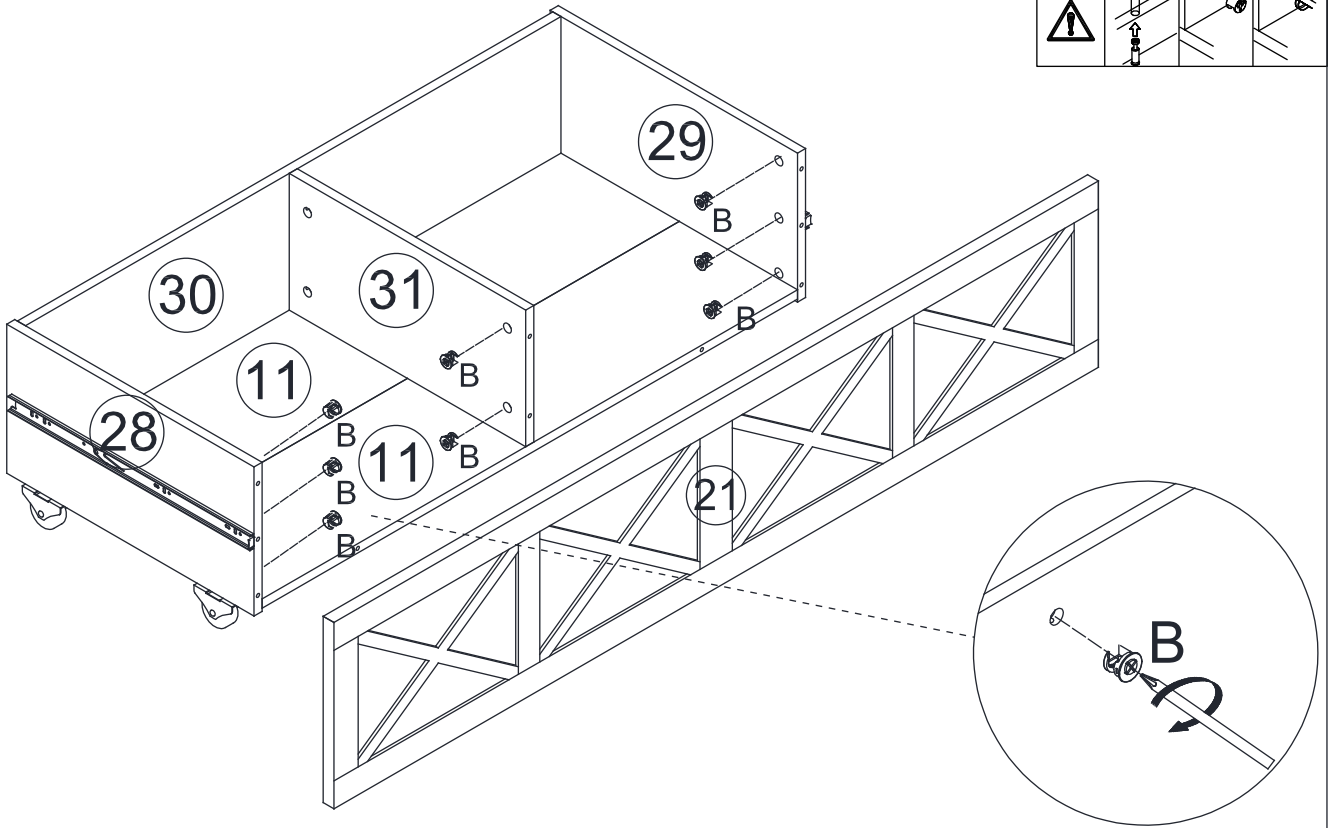
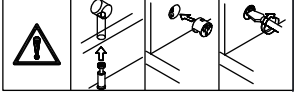
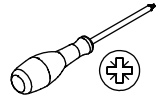


41

B x 8



Ø15 x 10mm

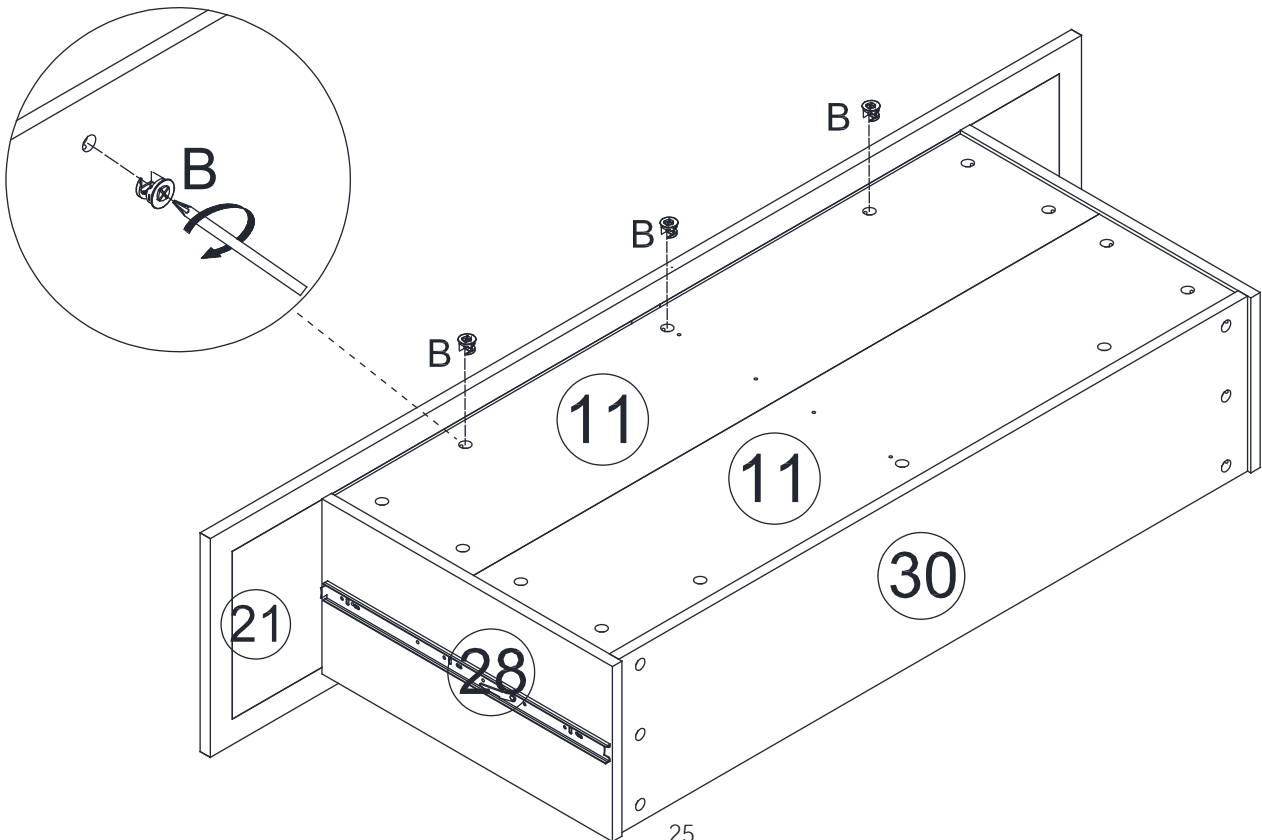
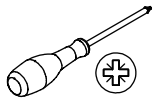


42

B x 3



Ø15 x 10mm

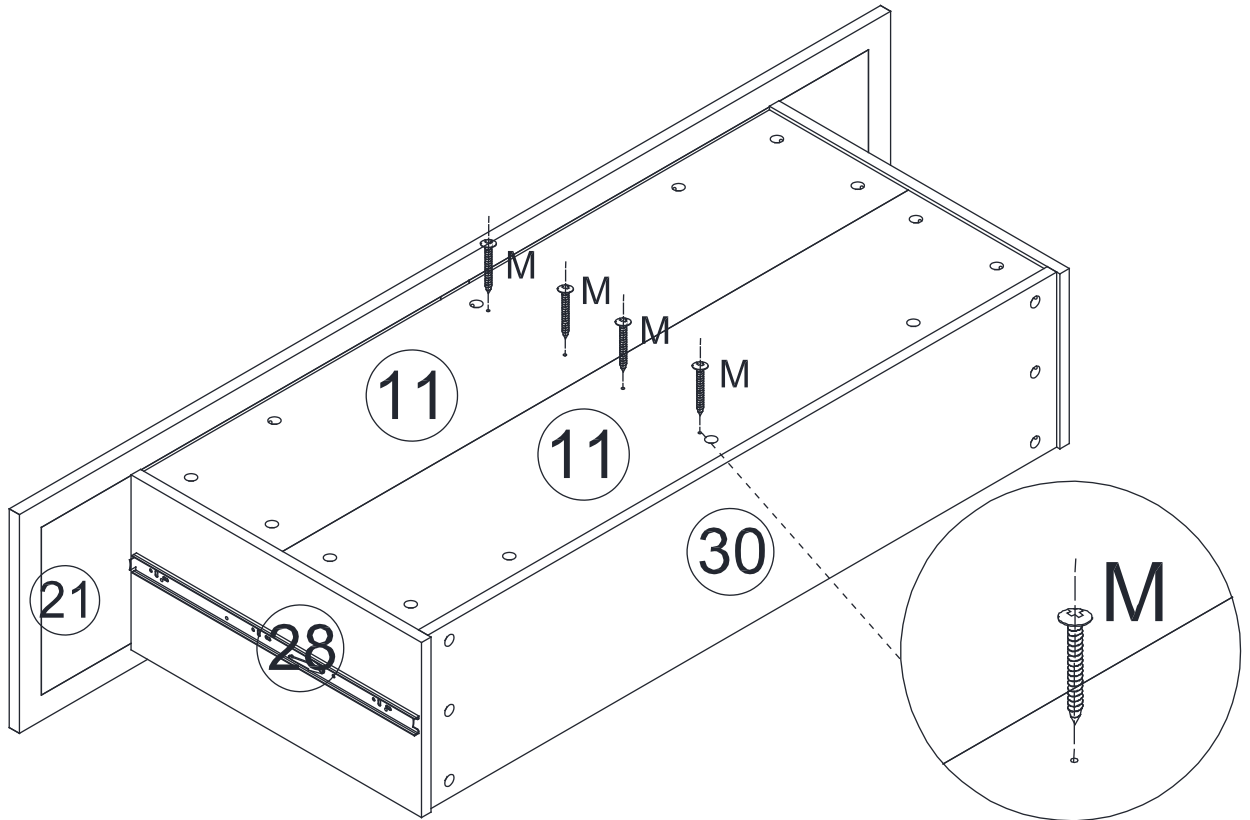
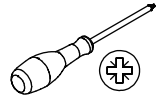


43

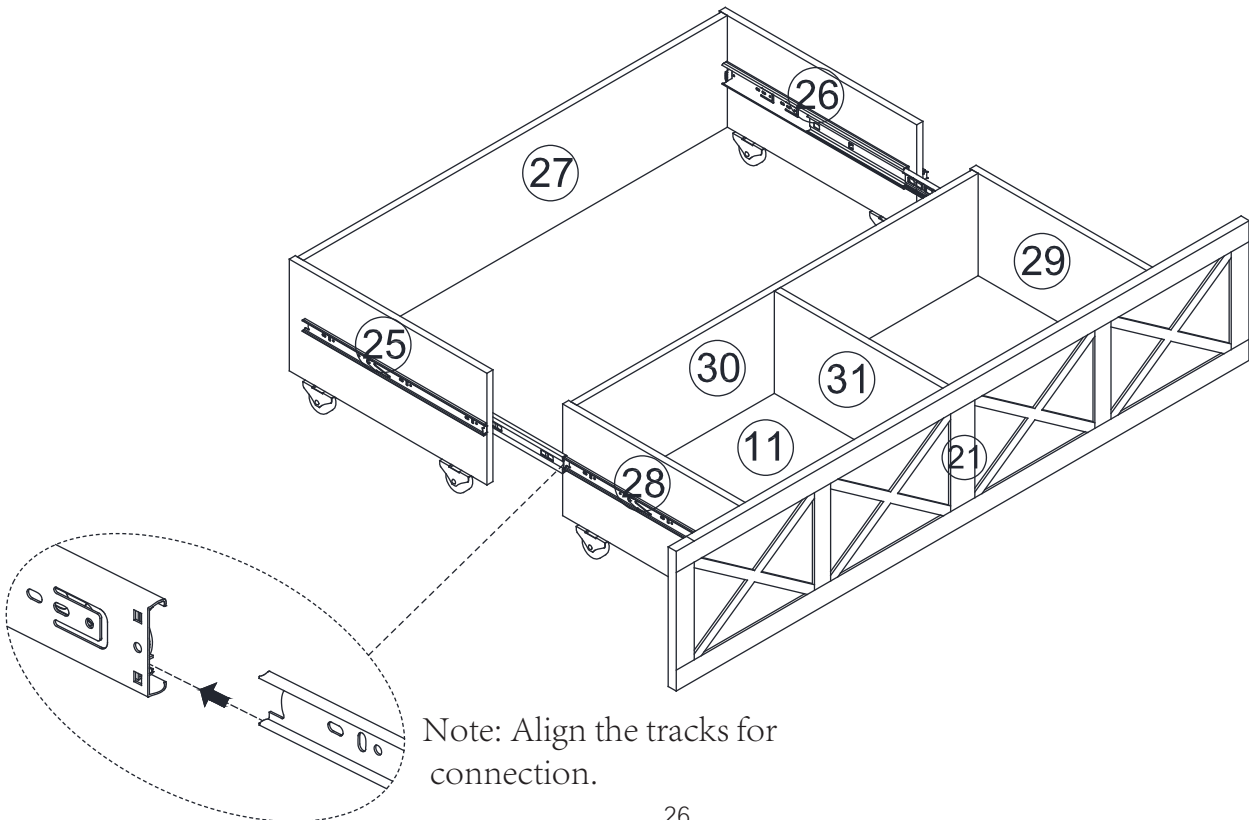
M x4



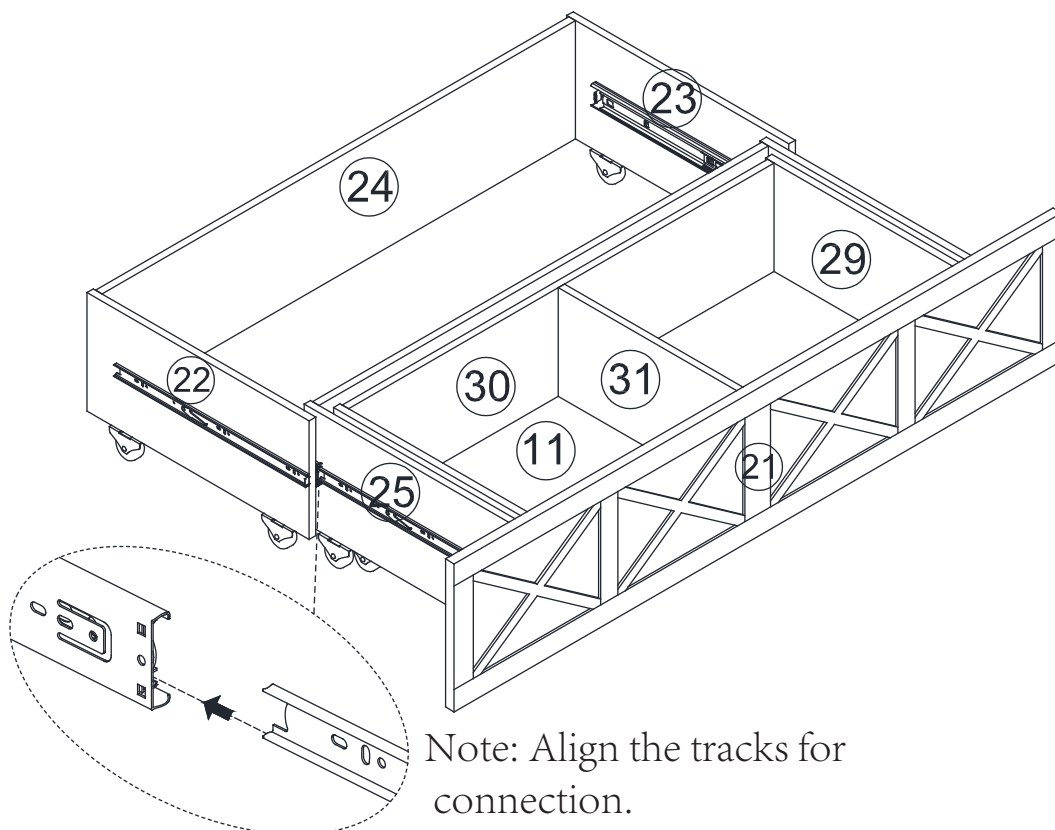
Ø4 x 30mm



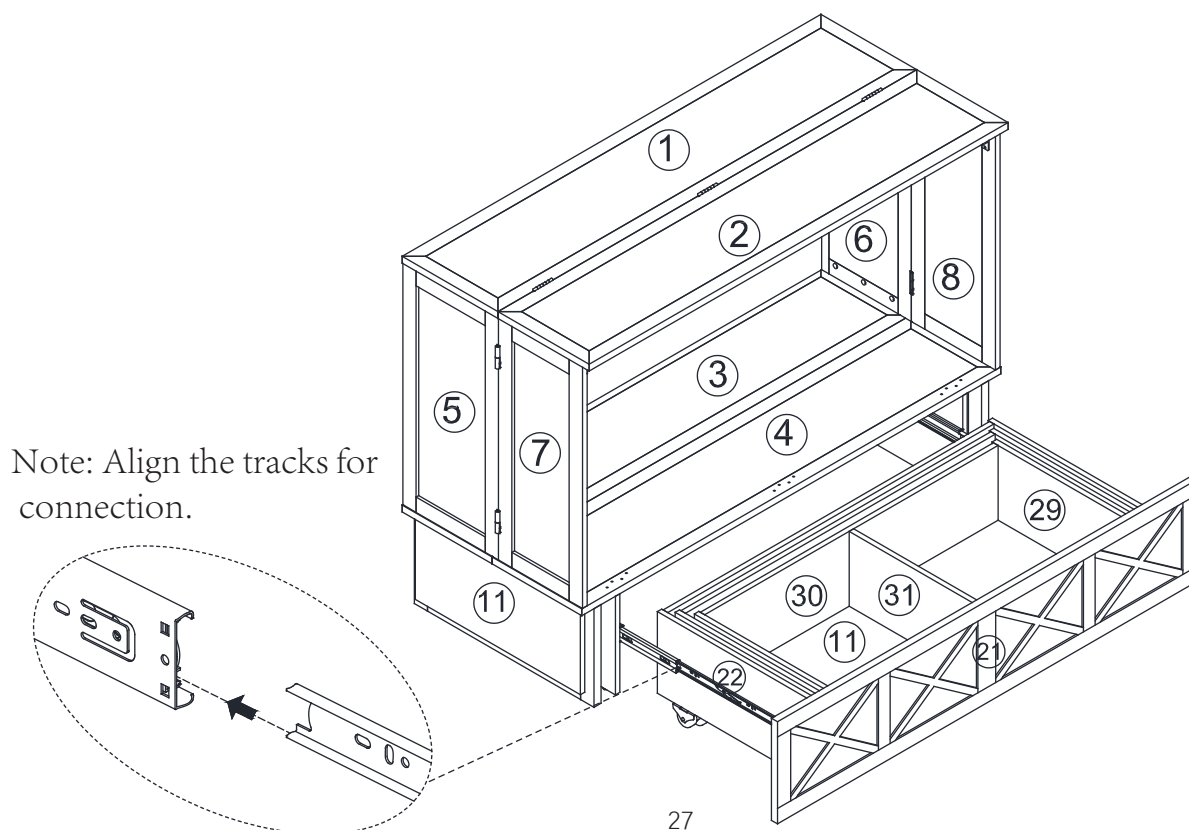
44



45

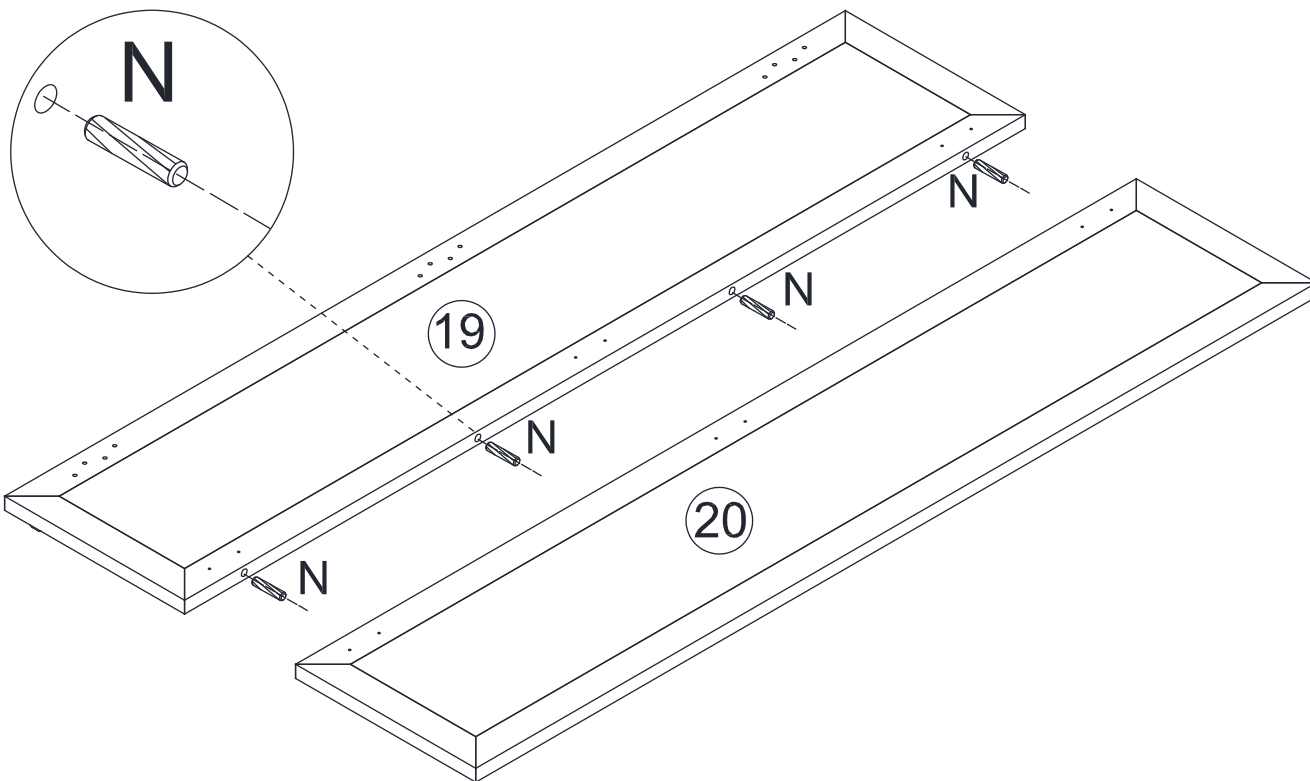
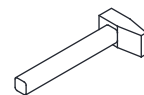


46



47

N x 4

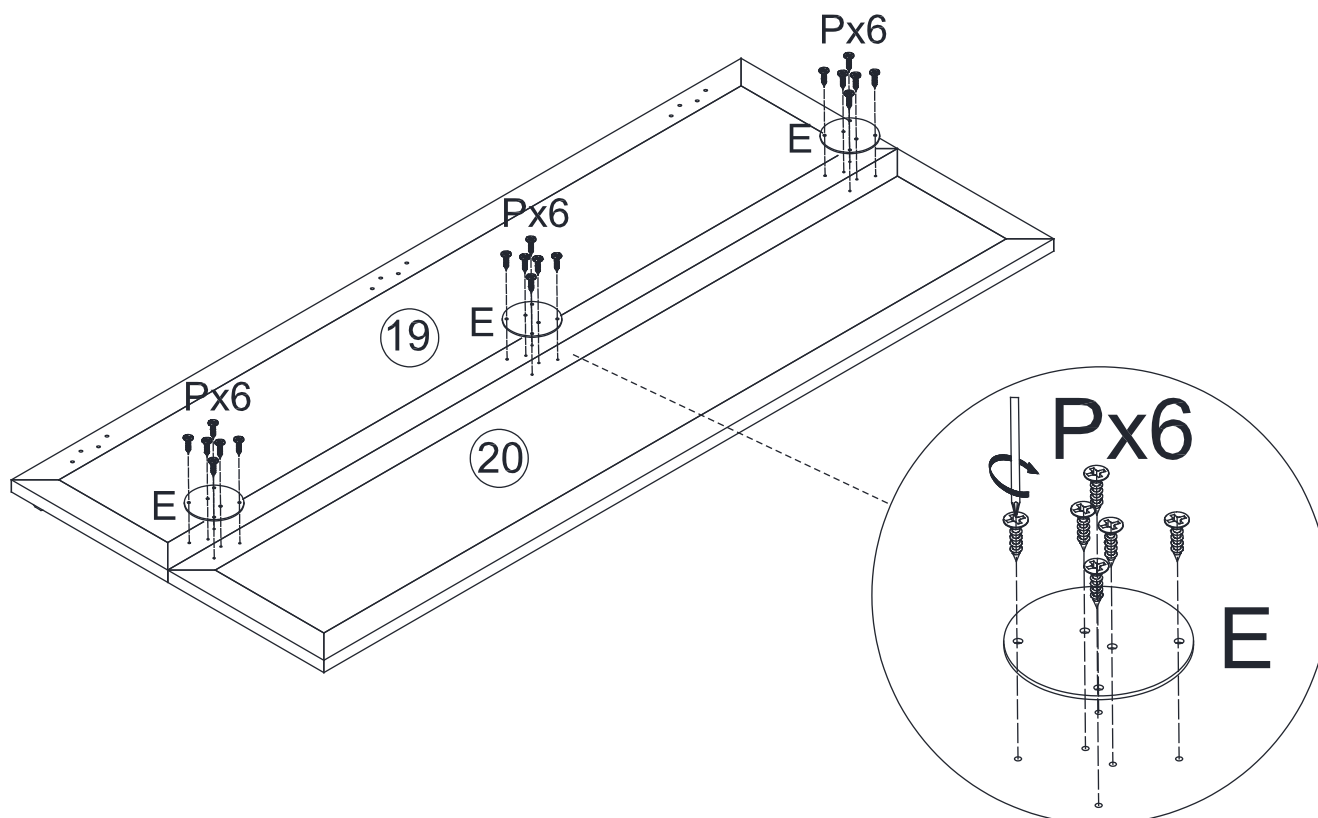
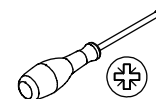
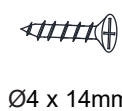


48

E x 3

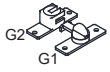


P x 18



49

G x 2

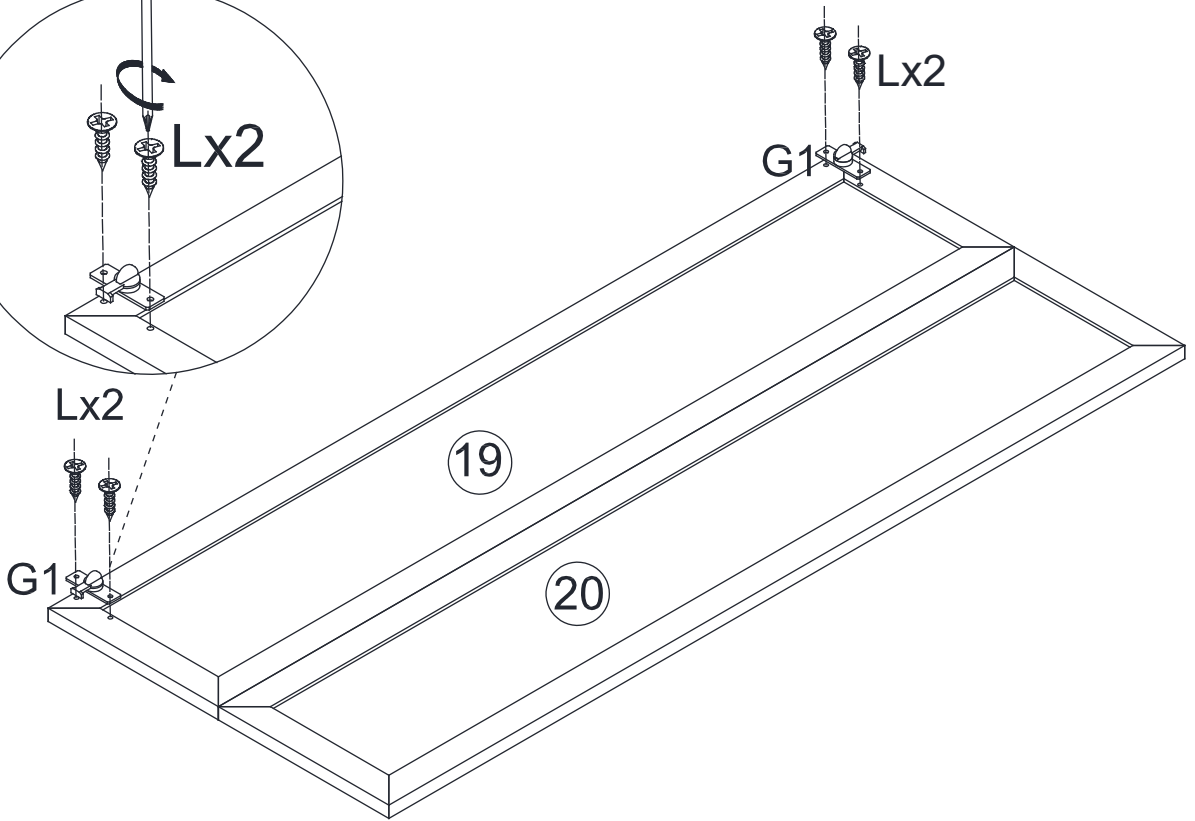
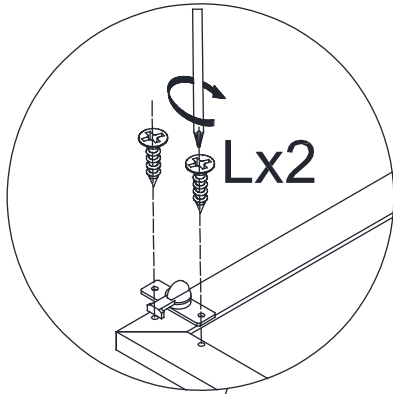
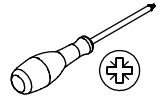


75 x 23 x 20 mm

L x 4



Ø3.5 x 14 mm

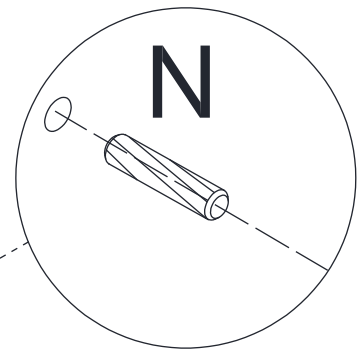
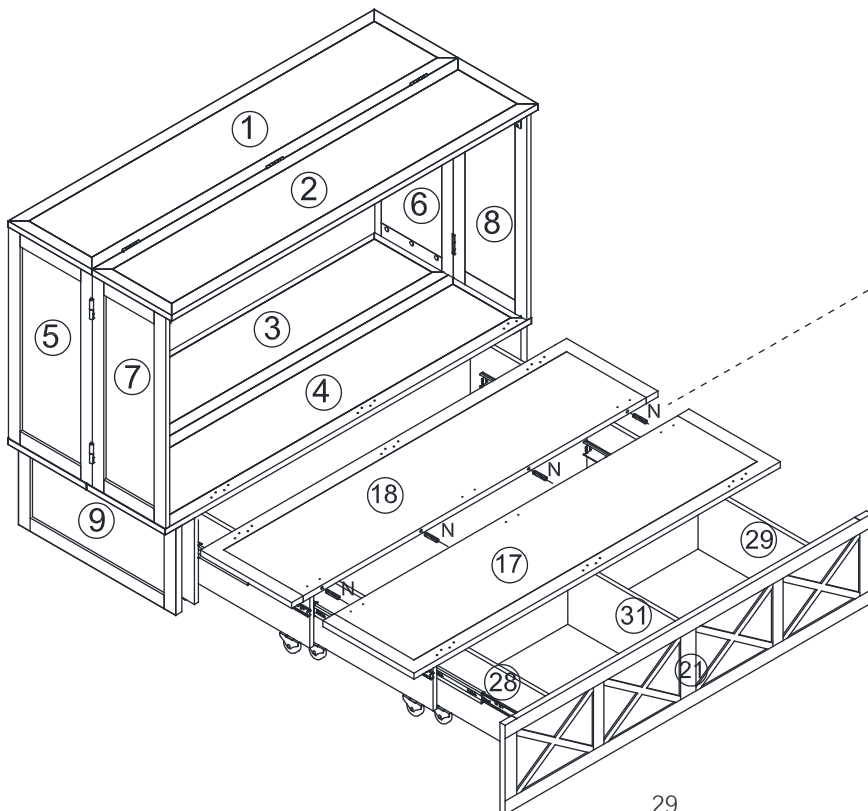
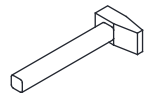


50

N x 4



M10 x 40 mm



51

E x 3

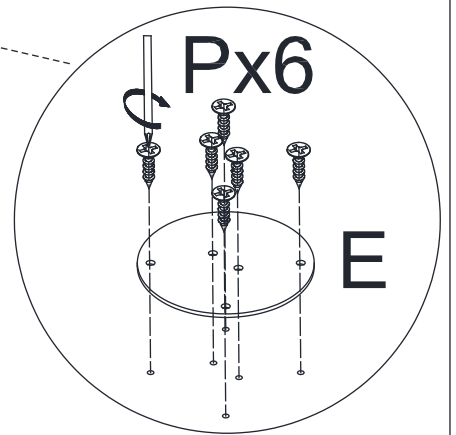
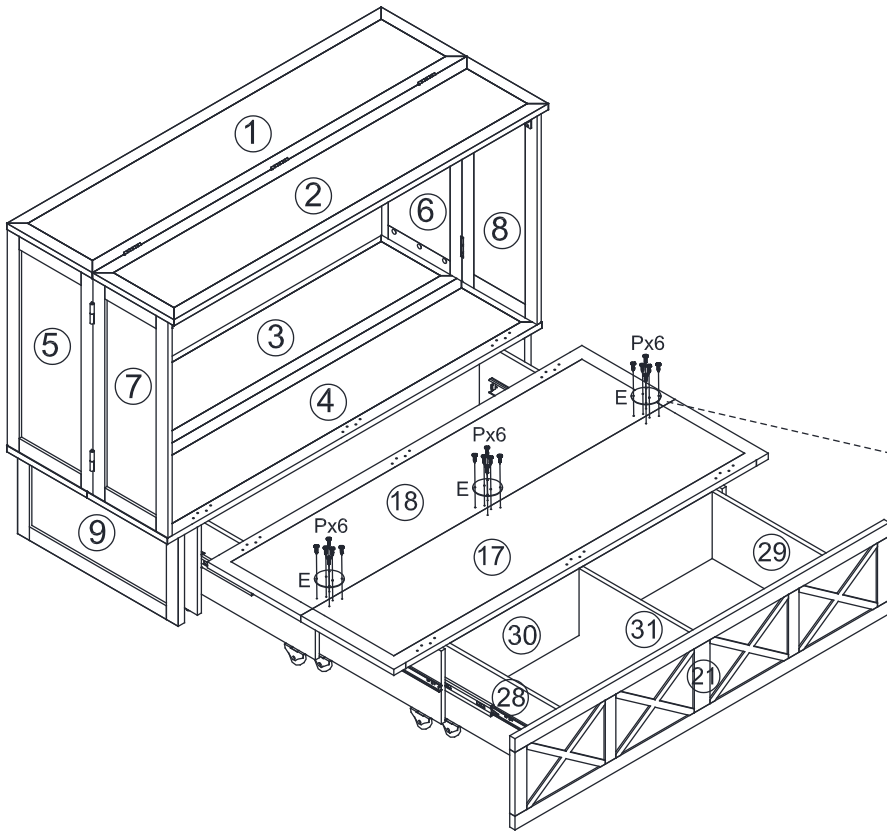
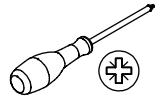


Ø80 x 2mm

P x 18



Ø4 x 14mm



52

D x 6

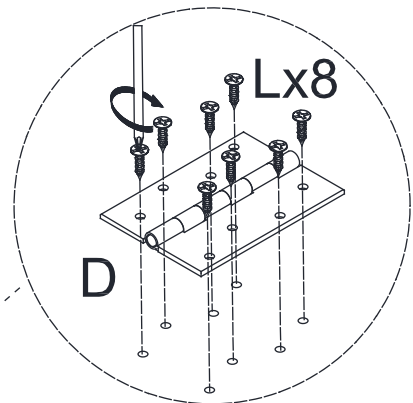
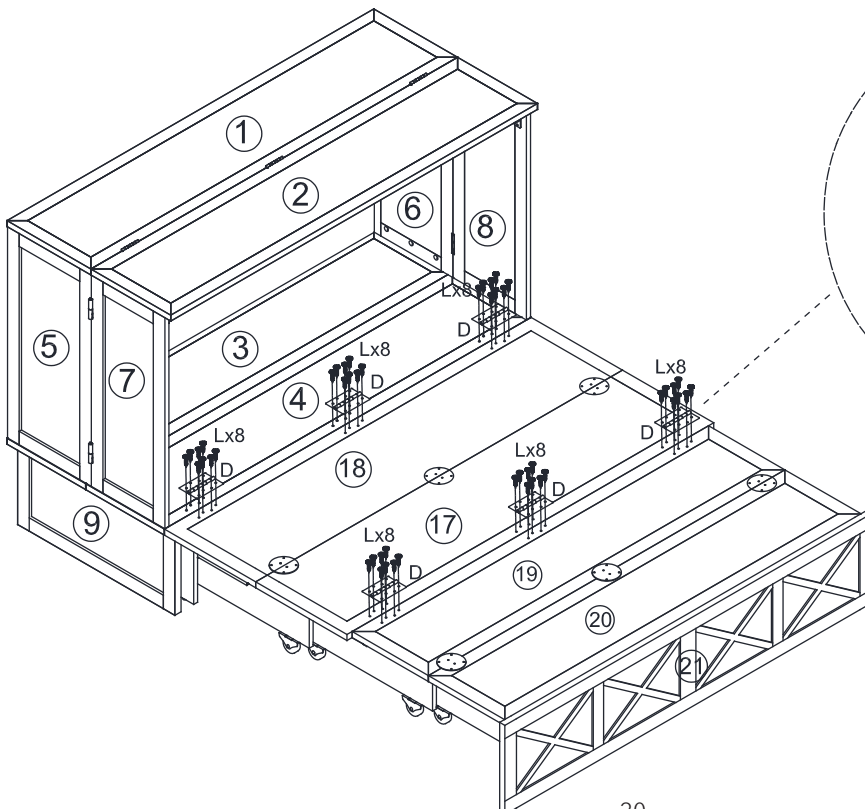
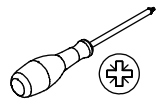


100 x 70mm

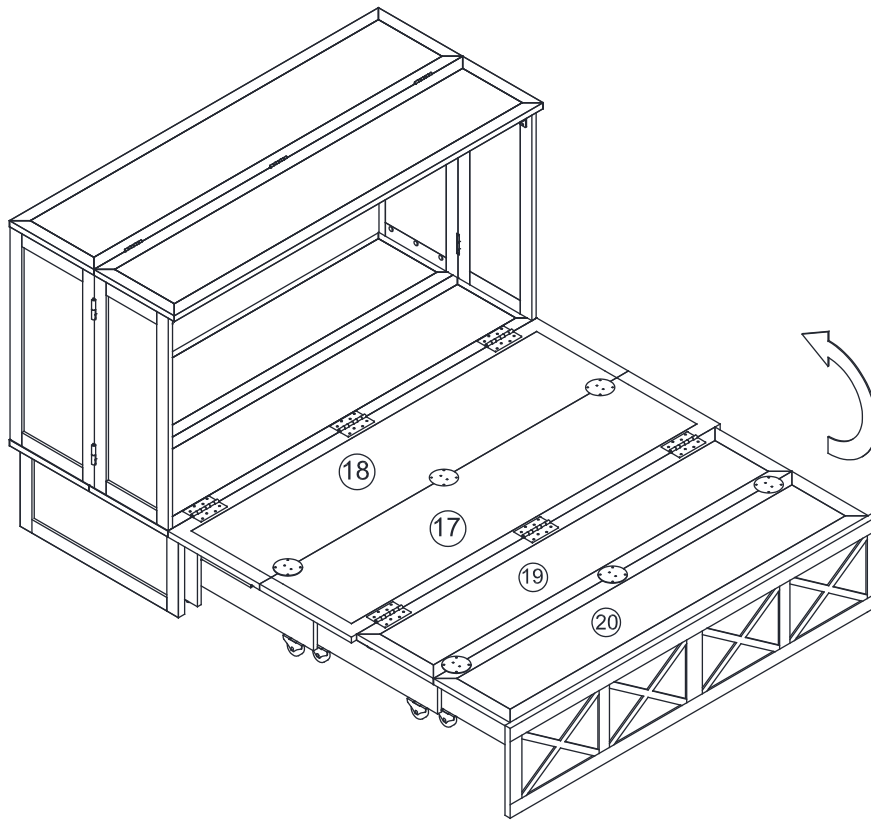
L x 48



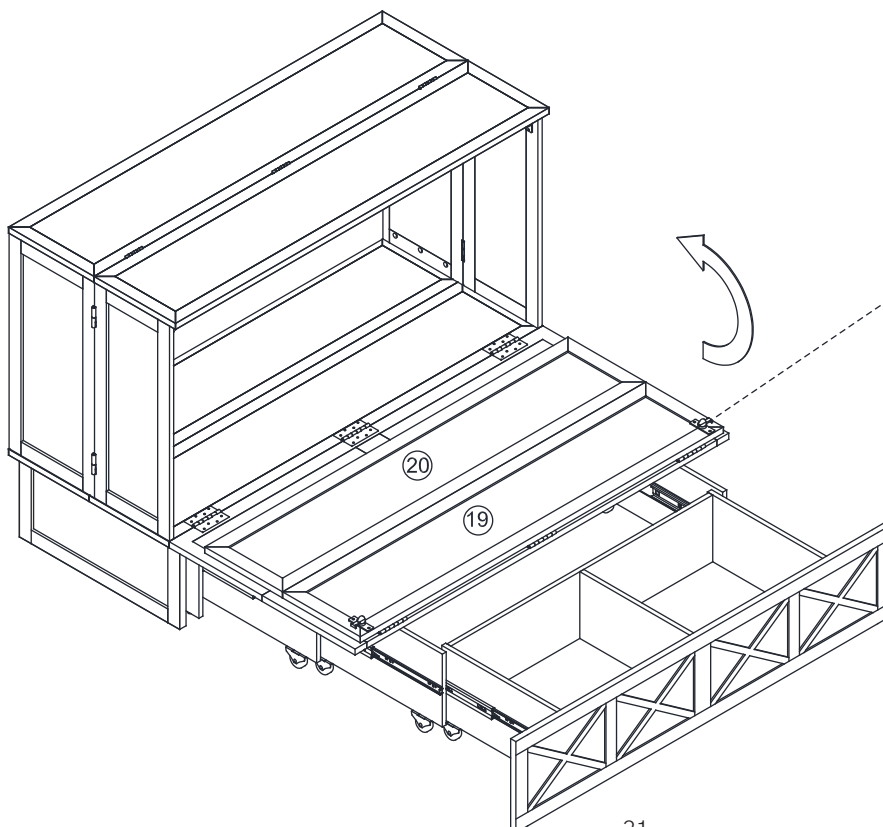
Ø3.5x 14mm



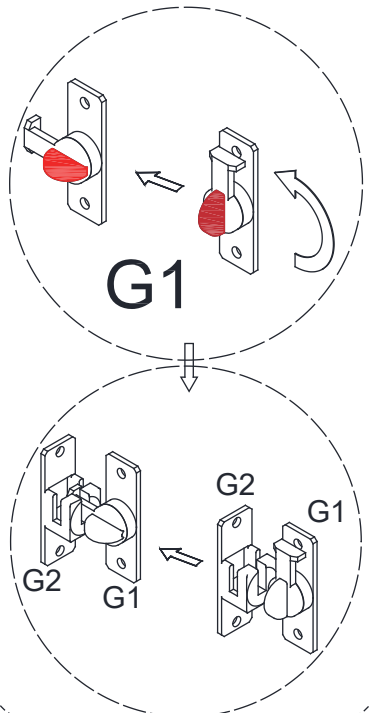
53



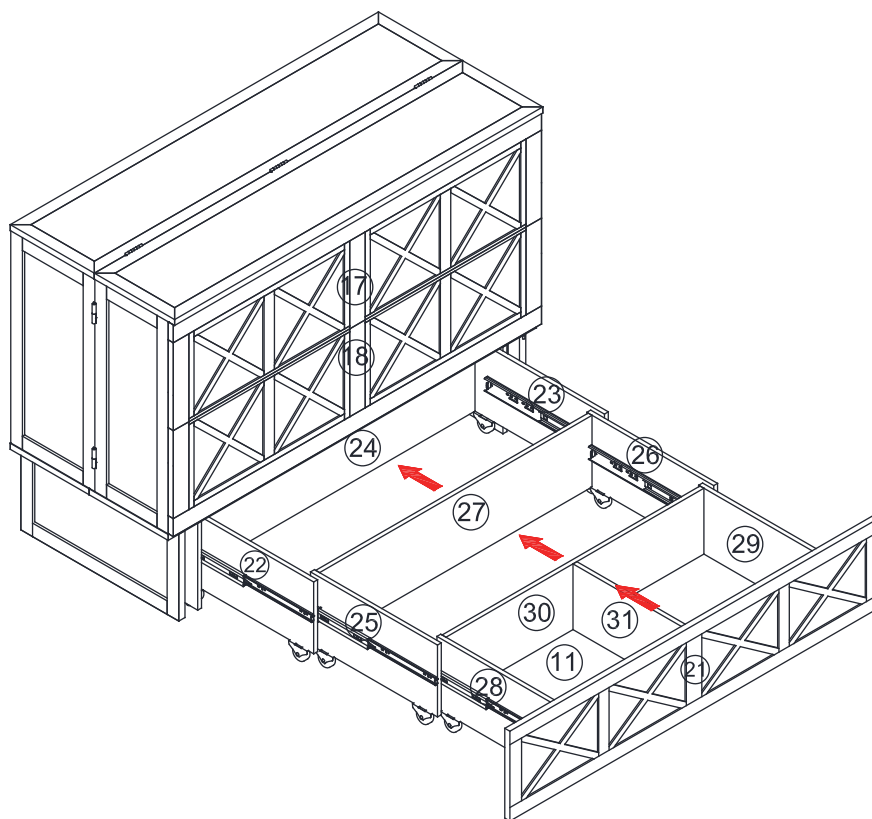
54



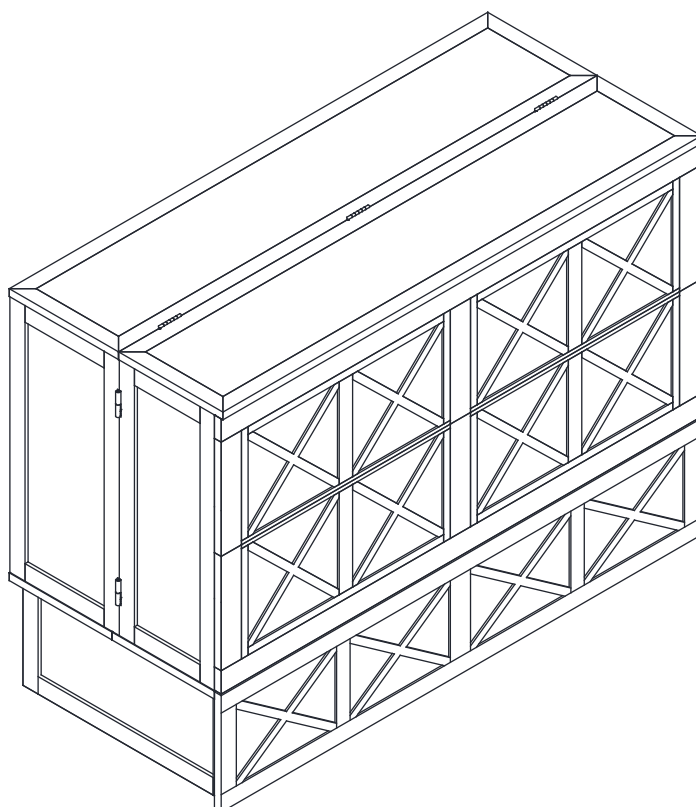
Rotate the hook of G1 to align with the lock of G2.



55



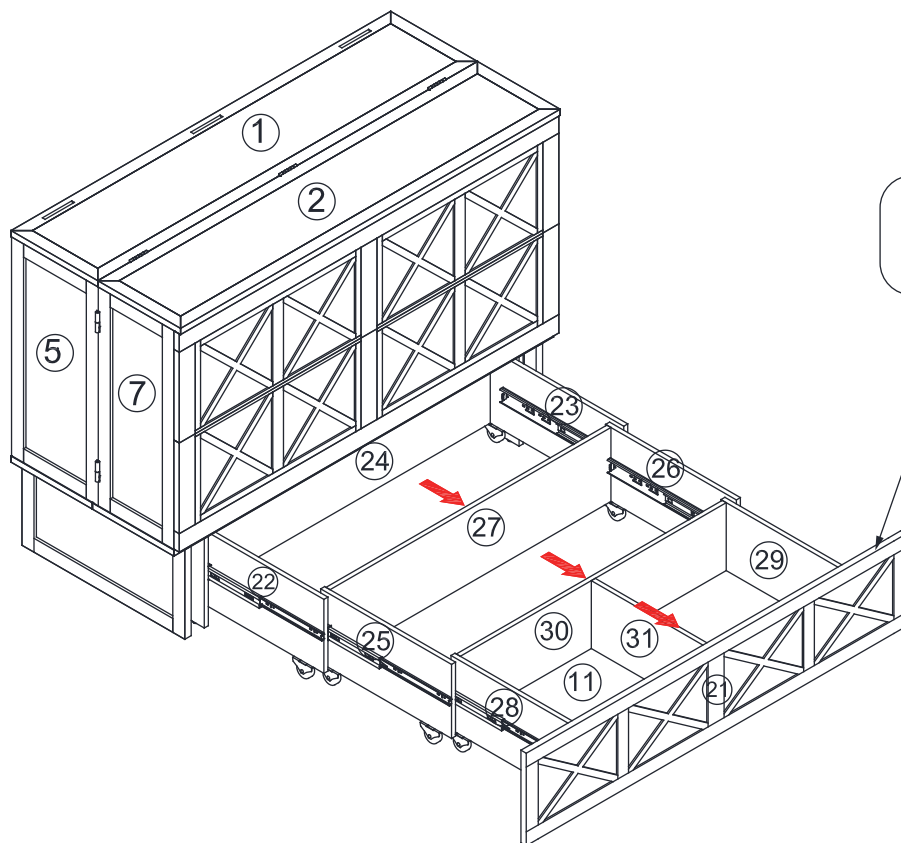
56



OK

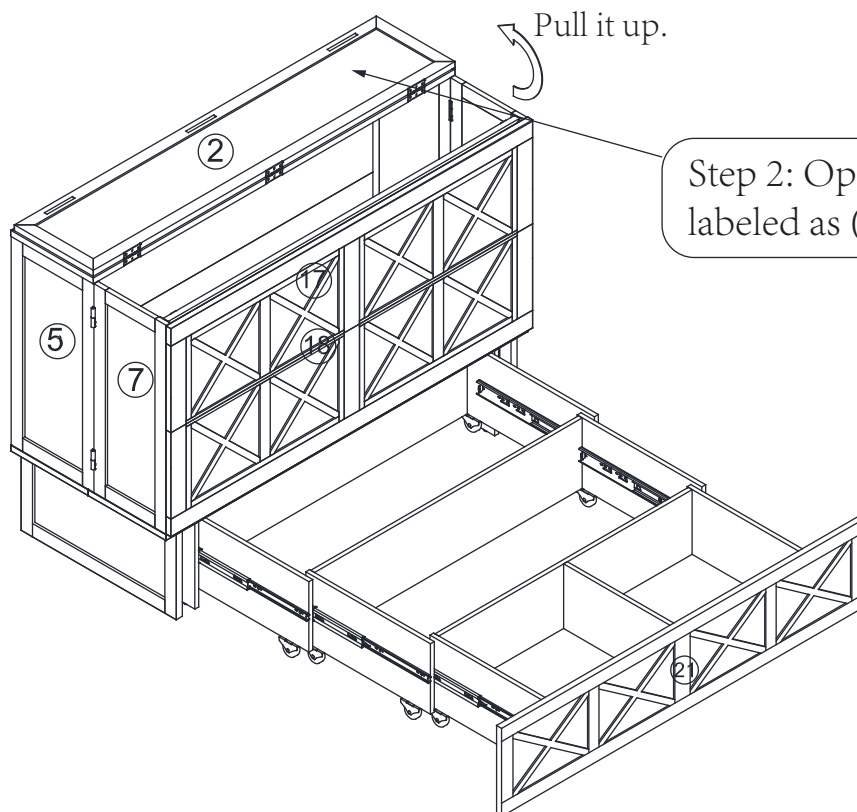
57

Instructions for use



Step 1: First, pull out the bottom drawer.

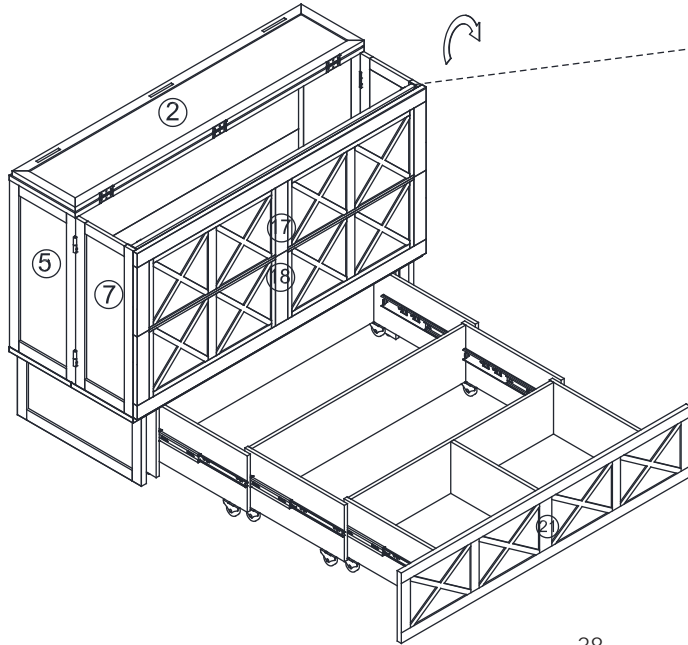
58



Step 2: Open the top cover, labeled as (2).

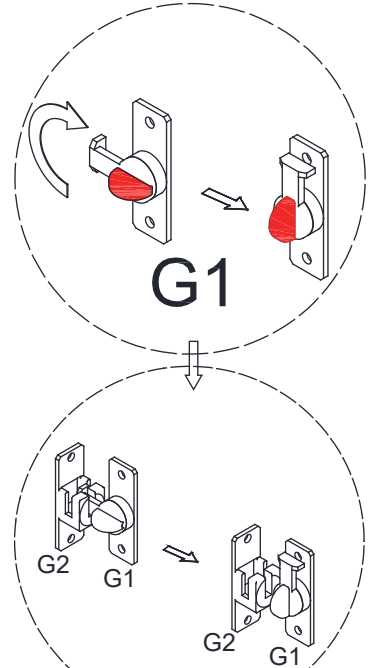
59

Step 3: Open the side doors (labeled as 7 and 8) simultaneously, and lay the boards marked 17, 18 and 19, 20 on the bed frame.



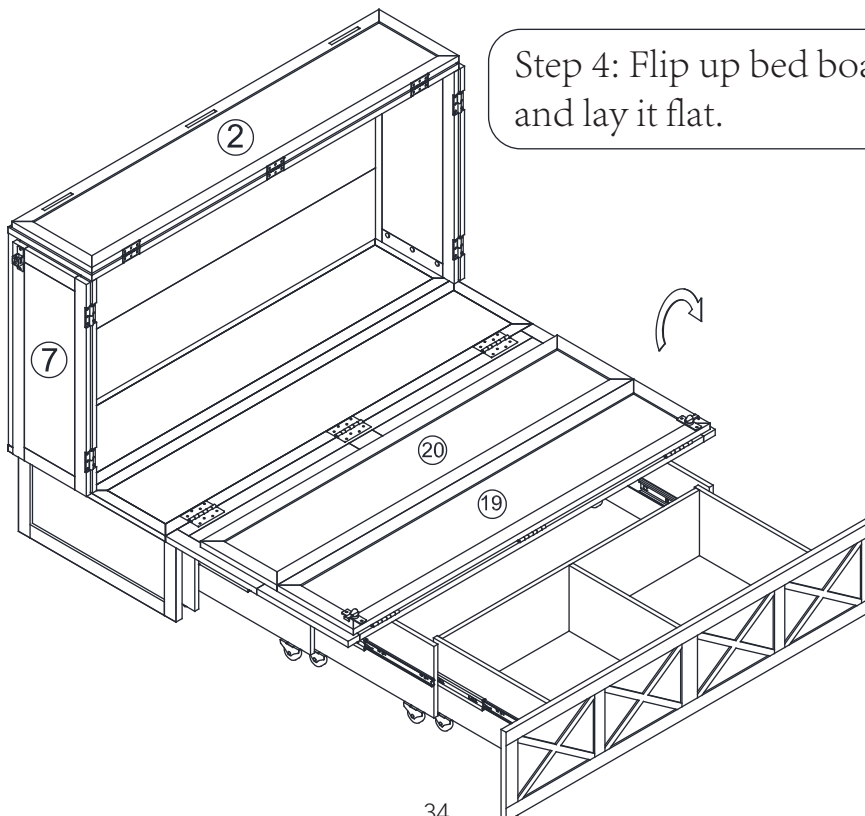
38

Rotate the hook of G1 to completely disengage from the lock of G2.



60

Step 4: Flip up bed board (19.20) and lay it flat.



34

