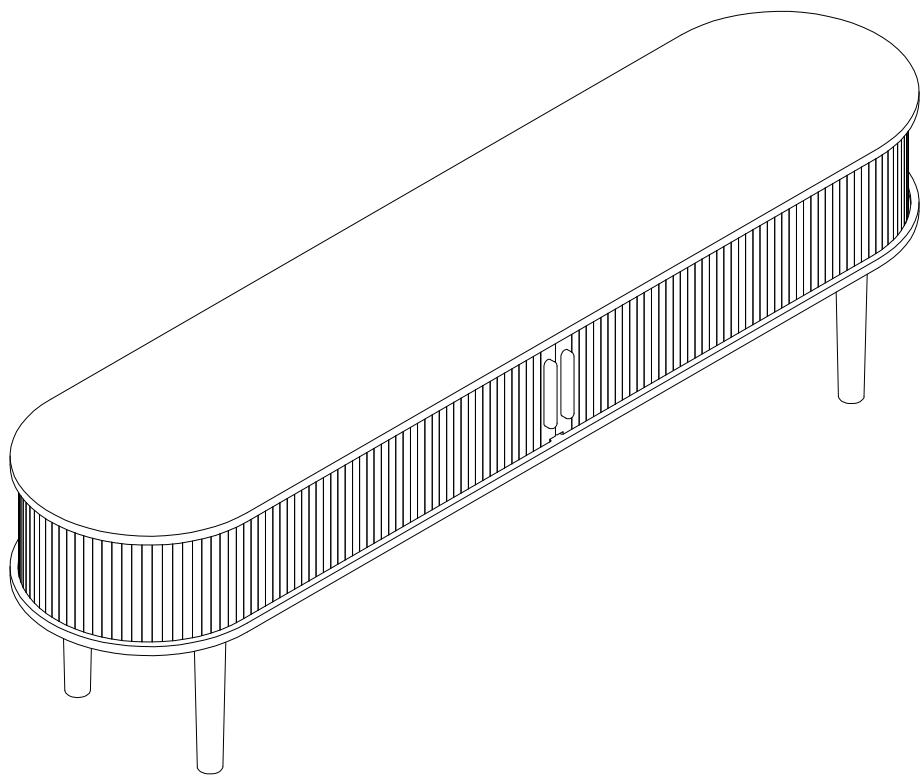





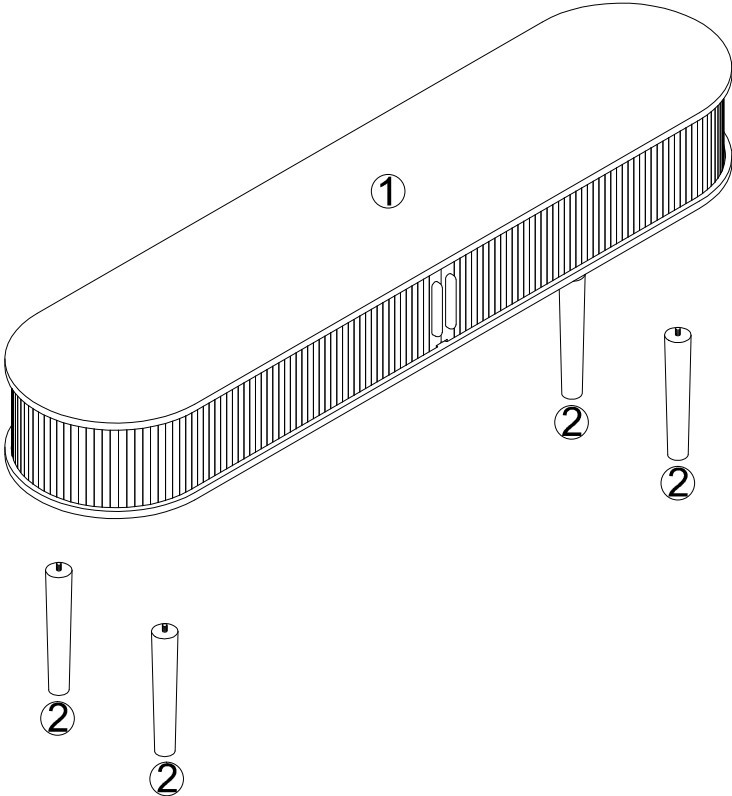
# Assembly Instructions



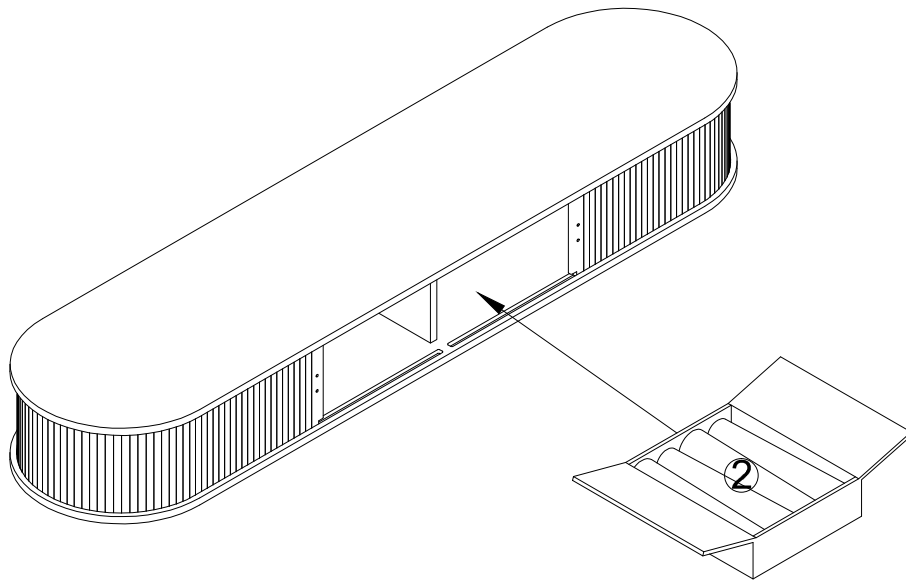
# Part List

<p>No. A Quantity:4 Pcs Foot Pad Ø20</p> 	<p>No. B Quantity:2 Pcs Handle 60*20mm</p> 	<p>No. C Quantity:4 Pcs Screw M4*14mm</p> 	
--	--	--	--

# Product structure

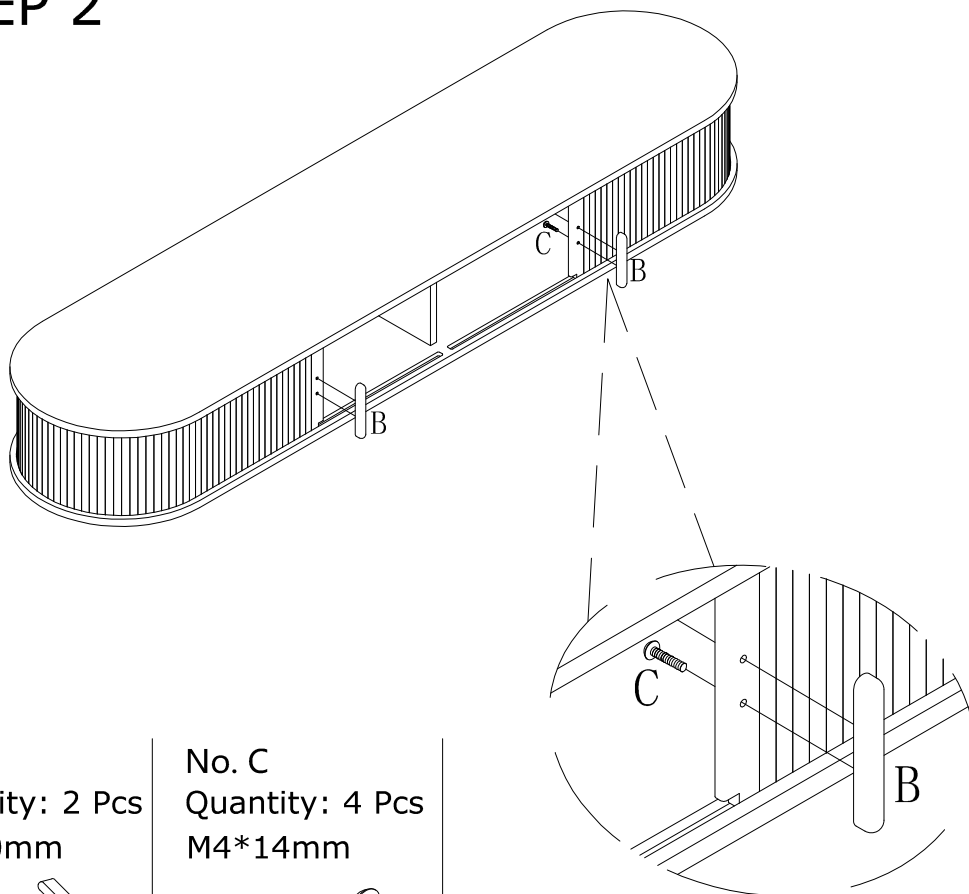


# STEP 1



Firstly, open the rolling shutter to take out the handle and table leg.

# STEP 2



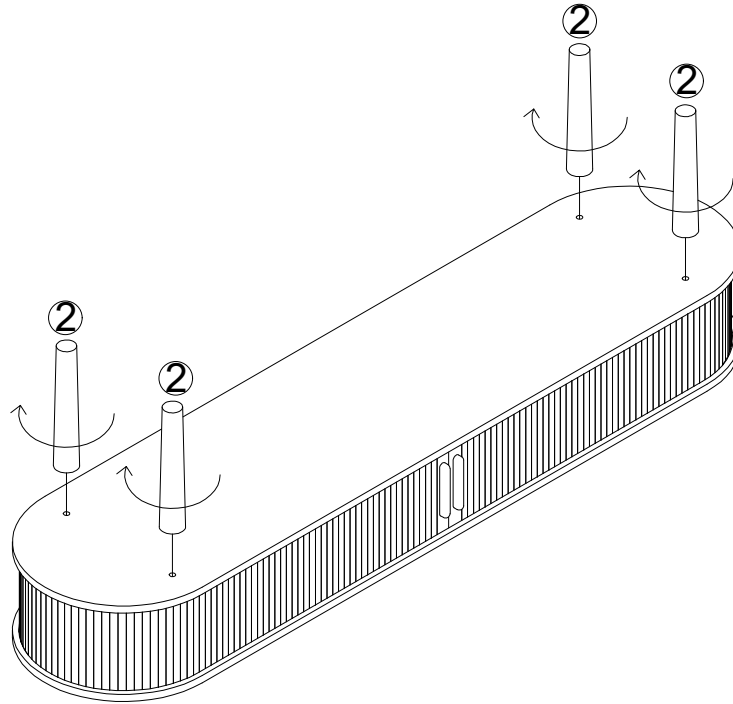
No. B  
Quantity: 2 Pcs  
60\*20mm



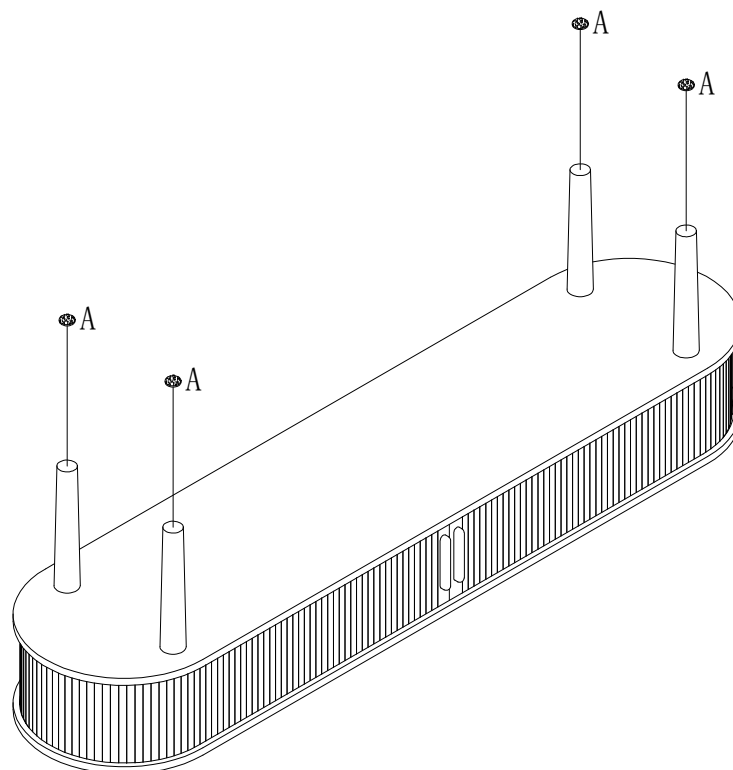
No. C  
Quantity: 4 Pcs  
M4\*14mm



# STEP 3



# STEP 4



No. A  
Quantity: 4 Pcs  
Ø20

