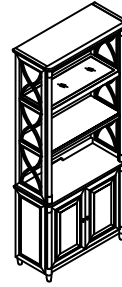


# ASSEMBLY INSTRUCTIONS



181-588B      181-588T

## TOOLS REQUIRED:

Screwdriver (Not Provided)

## BEFORE YOU START:

1. Check the hardwares against the hardware list to make sure all items are present.
2. Assemble your furniture on a soft, flat surface to avoid scratching the finish.
3. **CAUTION:** Do not over tighten screws, nuts or bolts during assembly.
4. Your furniture may require occasional tightening.

## INSTRUCTIONS:

1. Turn the bookcase base upside down on a clean soft surface.
2. Screw 4 legs up to the bottom tightly as shown in Figure 1.
3. Setting the base back upright and attach the bookcase top to the base, attach the mending plate to secure the top and base, tighten Screw (B) by screwdriver as shown in Figure 2.
4. Place the Plastic Pad (A) before insert the glass shelf as shown in Figure 3.

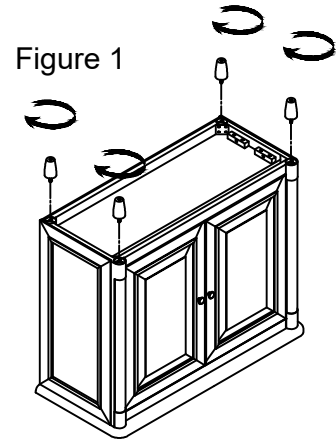


Figure 1

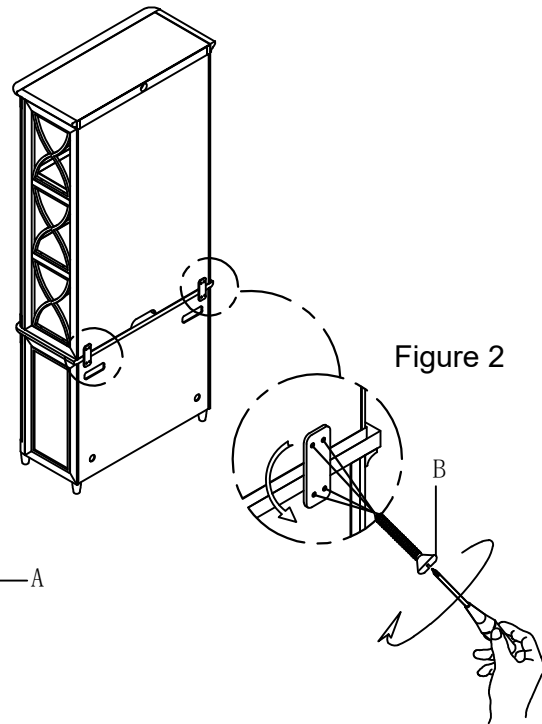


Figure 2

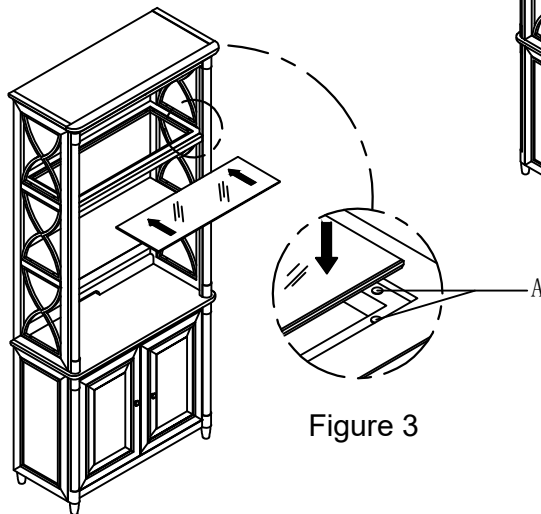




Figure 3

No.	HARDWARE LIST		Q'ty
A		Plastic Pad (Ø10*2mm)	8pcs
B		Screw (Φ8x3/4")	6pcs