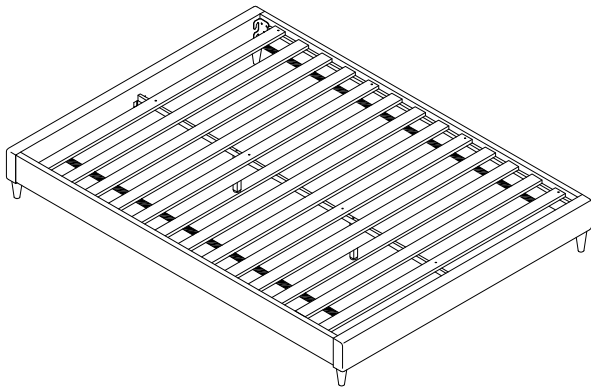







# Twin Fabric Platform Bed with Squared Tapered Legs

Before you start, here is some helpful advice:

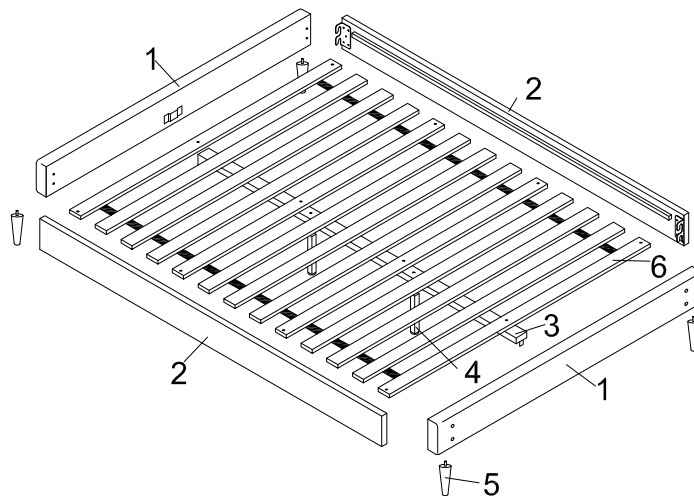
1. We suggest you spend a short time reading through this leaflet and then follow the simple step-by-step instructions.
2. Owing to the size and weight of the bed frame, we recommend that it is assembled by two adults, on a carpeted or padded area, in the room that it is intended for. Approximate assembly time: 45 minutes.
3. Please do not use any tools other than those provided or recommended in these instructions.
4. Please do not throw away any of the packaging or the instruction until you have checked all the components and hardware and the furniture is fully assembled. Please ensure that the packaging is disposed of in a safe and environmentally friendly way.
5. Assemble all components loosely until advised to tighten. Depending on use, it may be necessary to tighten the components from time to time, so please save the tools that have been provided.
6. Please keep all fitting out of reach of children.



## Hardware list:

A		Bolt M8 x 20mm	x8
B		Bolt M6 x 35mm	x2
C		Screw M4 x 32mm	x14
D		M4 Allen Key	x1
E		M5 Allen Key	x1
		PHILLIPS HEAD SCREW DRIVER NOT PROVIDED	

## Component:



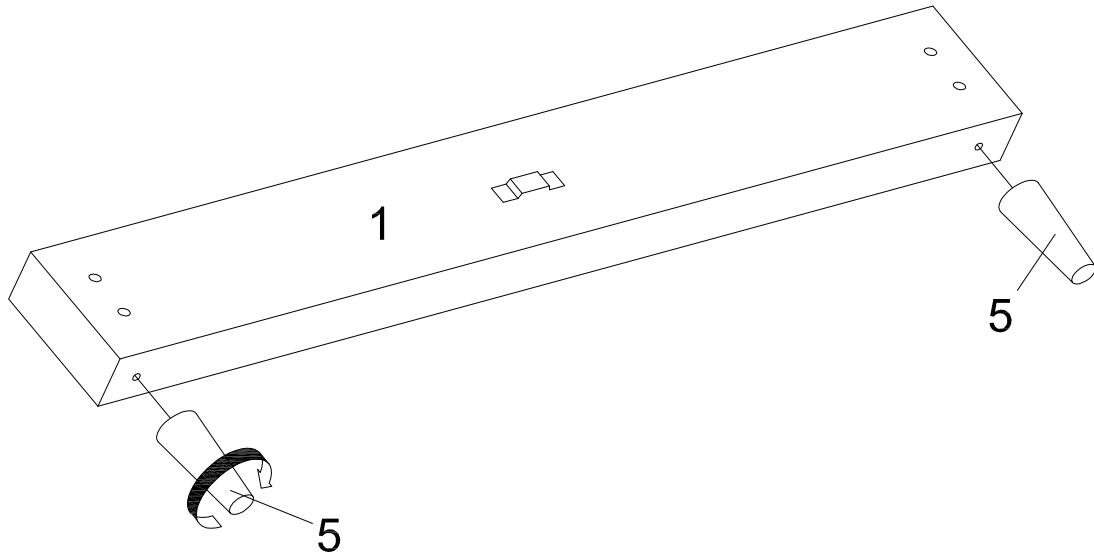
1	Short Board	x2	2	Long Board	x2	3	Center Rail	x1
4	Support Legs	x2	5	Legs	x4	6	Roll Slats	x1
(Round leg or square leg)								

# BED FRAME

## STEP 1

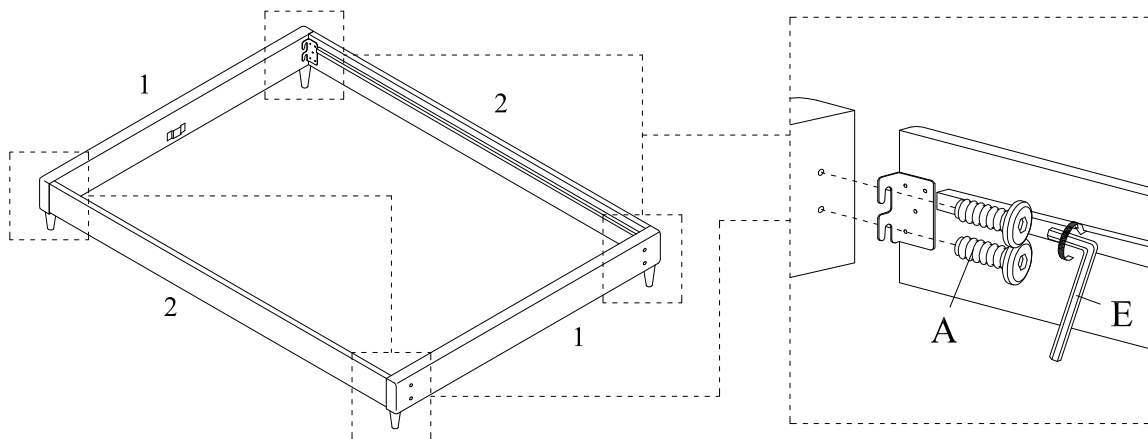
Secure the 4 pieces of wooden **Leg (5)** to the 2 pieces of **Short Board (1)** as shown.  
Tighten the **Leg (5)** clockwise until secure.

**Attention: If it is square leg, please make sure the leg direction is level with frame.**



## STEP 2

Place 1 piece of **Long Board (2)** to 2 pieces of assembled **Short Board (1)** by two adults.  
Attach them by using 4 pieces of **Bolt (A)** as shown.  
Use **Allen Wrench (E)** to tighten the **Bolts (A)** clockwise until secure.  
Repeat the same steps for the remaining 1 piece of **Long Board (2)**.



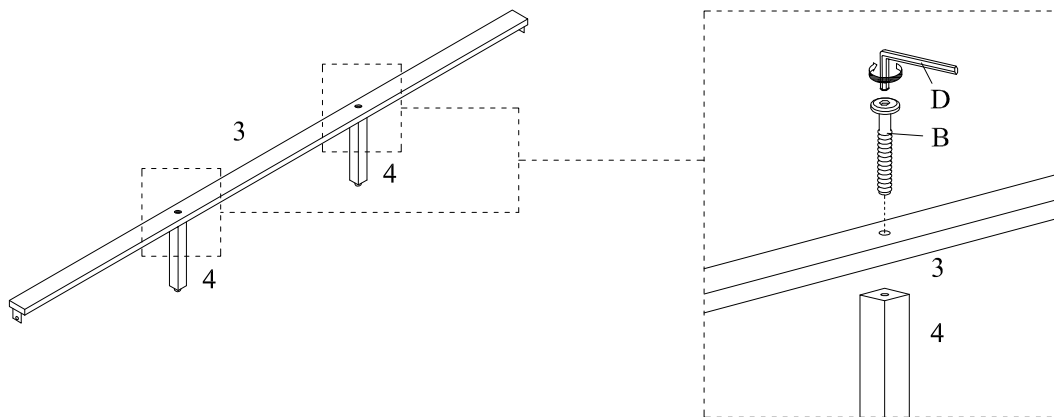
A x 8	E x 1



Hardware & Tool required

# BED FRAME

## STEP 3

Attach 2 pieces of **Support Leg (4)** to the **Center Rail (3)** by using 2 pieces of **Bolt (B)** as shown. Use **Allen Wrench (D)** to tighten the **Bolts (B)** clockwise until secure.

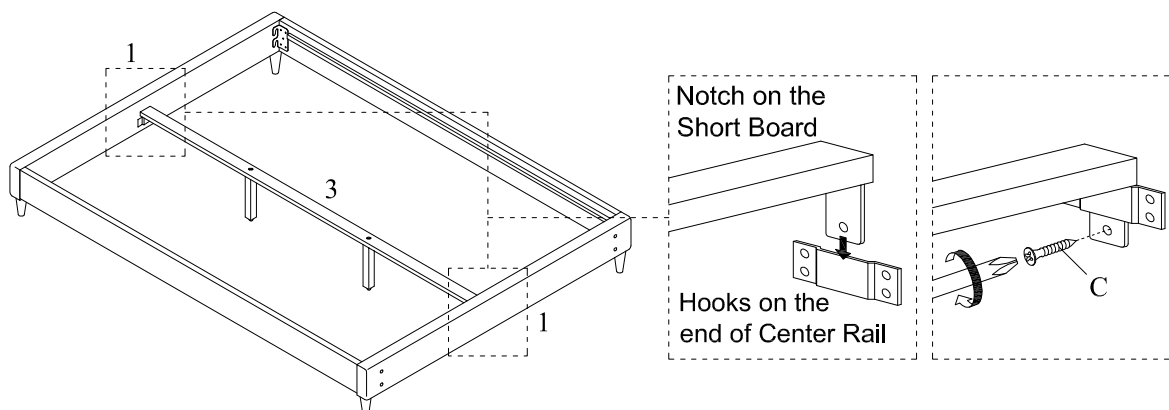




	
B x 2	D x 1

Hardware & Tool required

## STEP 4

Insert **Center Rail (3)** to the bracket (provided) on **Short Board (1)** and then secure with 1 **Screw (C)** per each end. Tighten the **Screws (C)** with **Phillips Head Screw Driver (not provided)**.



	
C x 2	Phillips Head Screw Driver (not provided)

Hardware & Tool required

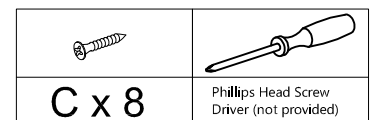
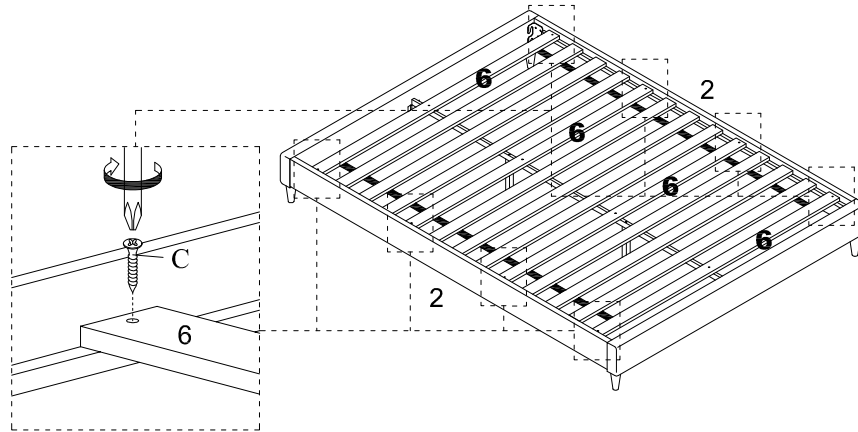
# BED FRAME

## STEP 5

Place the **Roll Slats (6)** to the **Long Board (2)** as shown.

Secure 4 pieces of **Roll Slat (6)** which have countersink holes on each end into the **Long Board (2)** by using 8 pieces of **Screw (C)** as shown.

Tighten the **Screws (C)** with Phillips Head Screw Driver (not provided).



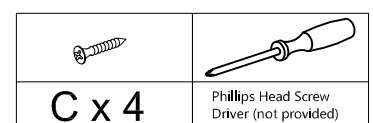
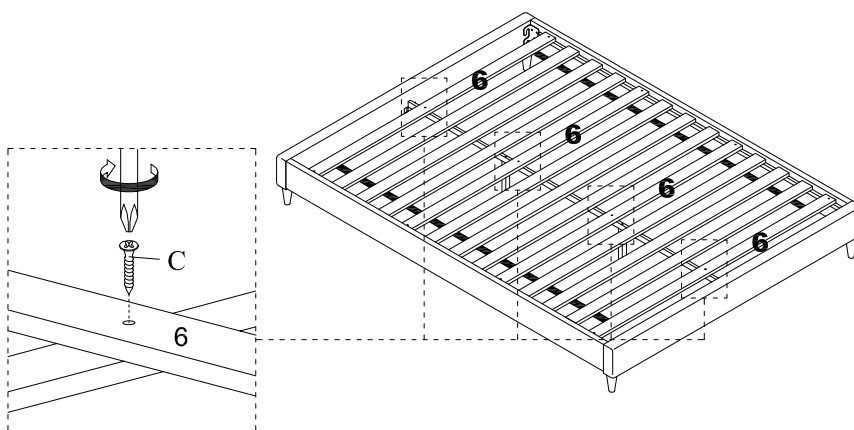
Hardware & Tool required

## STEP 6

Secure 4 pieces of **Screw (C)** into the **Slat (6)** on the top of **Center Rail(3)** as shown.

Tighten the **Screws (C)** with Phillips Head Screw Driver (not provided).

**Attention: Please adjust the adjustable glide on the Support Leg (4) once the bed is unlevel.**

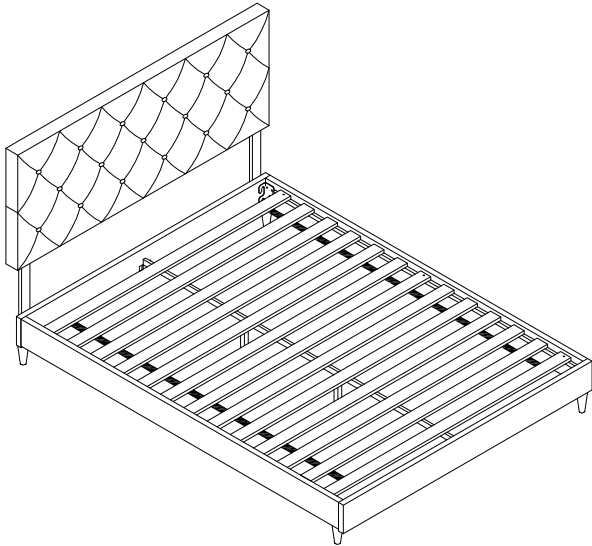


Hardware & Tool required

Assembly is completed. The bed frame is ready to use now!

**NOTE:** Hardware may loosen over time. Periodically check that all connections are tight.

## ASSEMBLY INSTRUCTIONS

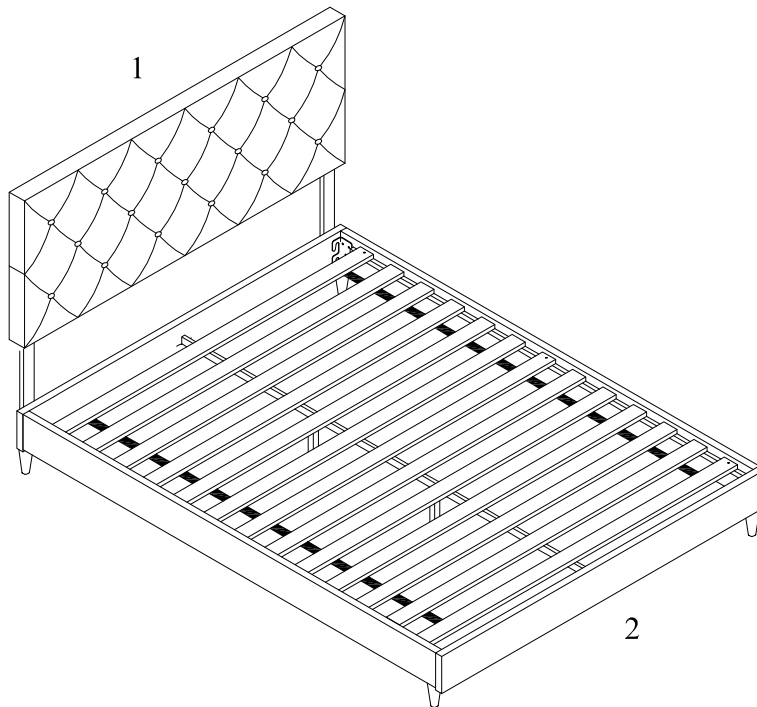


### Hardware list:

A		Bolt M6 x 45mm	x4
B		Flat Washer M6	x4
C		Spring Washer M6	x4
D		M4 Allen Key	x1

Importants: All the hardware packed with the headboard you are buying. Please only use the above hardware from Headboard Hardware Package to assembly the Bed Frame and Headboard

### Component:



1) Headboard x1  
(Style may vary)

2) Bed Frame x1  
(Style may vary)

## CONNECTING BED FRAME TO HEADBOARD

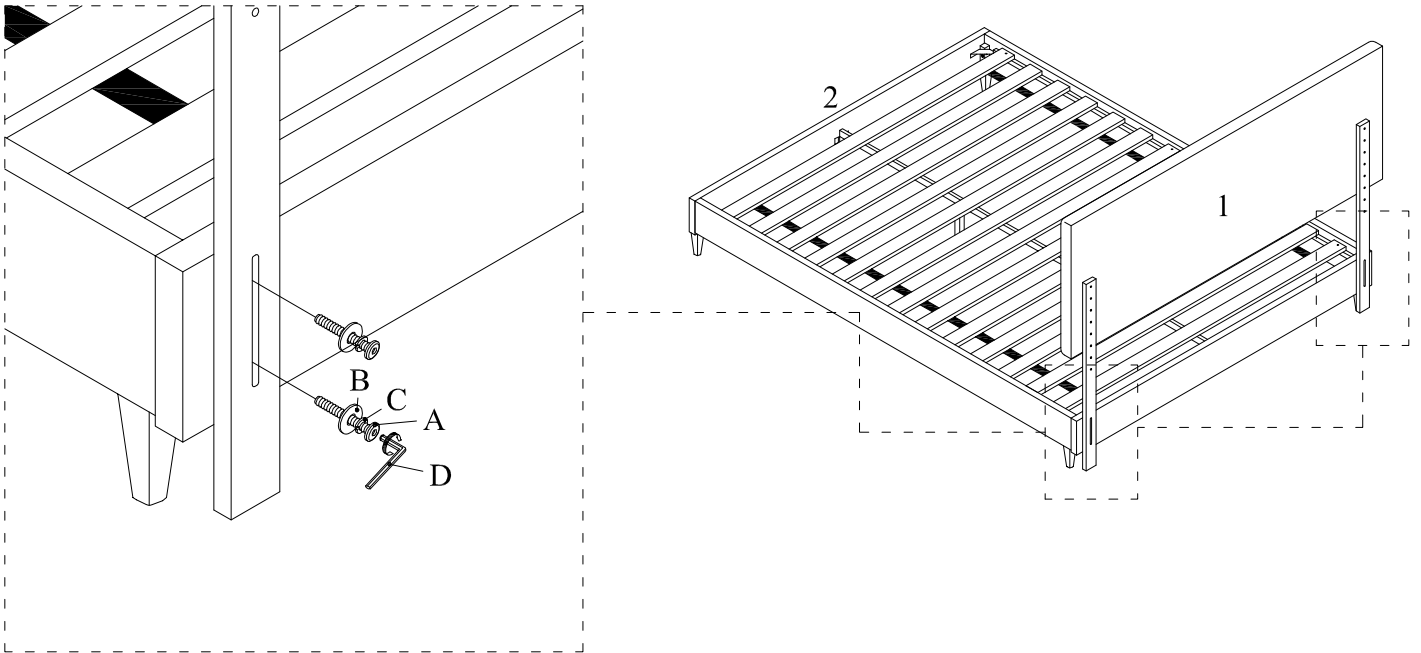
### STEP 1

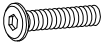



Line up the **Bed Frame (2)** board's pre-drilled holes to match those of the **Headboard (1)**.

Secure the **Headboard (1)** to the **Bed Frame (2)** by using 2 pieces of **Bolts (A)** with 2 pieces of **Spring Washer (C)**, 2 pieces of **Washer (B)** into the **Bed Frame (2)**.

Then tighten the **Bolts (A)** by using **Allen Wrench (D)**.

Repeat the same procedure for each bolt and each side of the **Bed Frame (2)**.

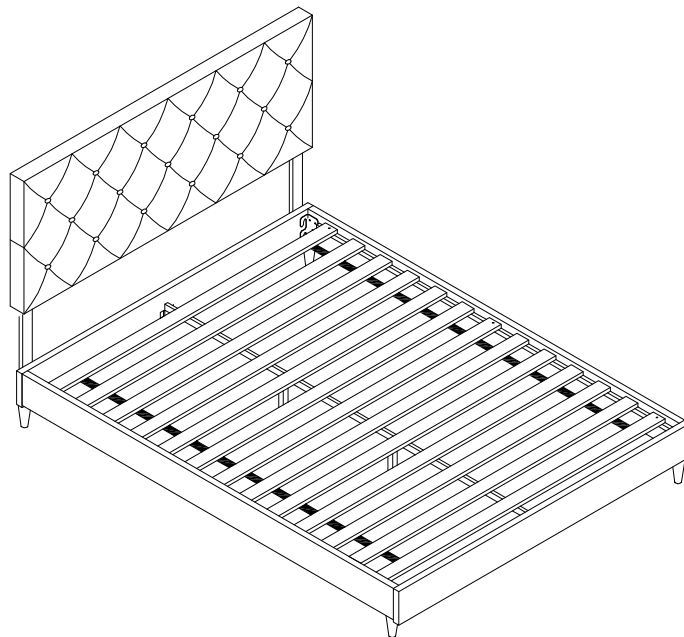


			
A x 4	B x 4	C x 4	D x 1

Hardware & Tool required

### STEP 2:

Carefully position the assembled bed to the desired location by four adults.



Assembly is completed. The headboard is ready to use now!

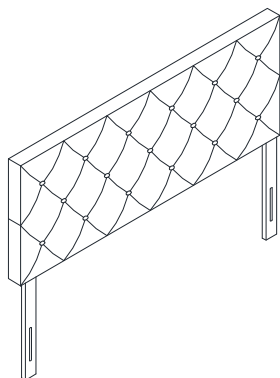
**NOTE:** Hardware may loosen over time. Periodically check that all connections are tight.

# HEADBOARD




!

Before you start, here is some helpful advice:

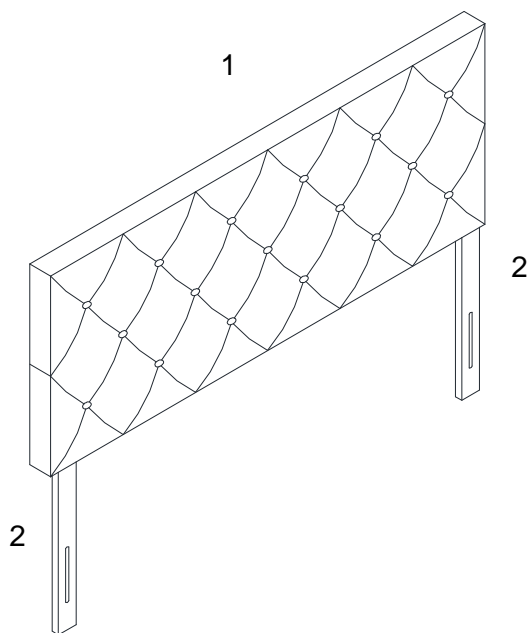
1. We suggest you spend a short time reading through this leaflet and then follow the simple step by step instructions.
2. Owing to the size and weight of the headboard, we recommend that it is assembled by two adults, on a carpeted or padded area, in the room that it is intended for. Approx assembly time: 30 minutes.
3. Please do not use any tools other than those provided or recommended in these instructions.
4. Please do not throw away any of the packaging or the instruction until you have checked all the components and hardware and the furniture is fully assembled. Please ensure that the packaging is disposed of in a safe environmentally friendly way.
5. Assemble all components loosely until advised to tighten. Depending on use, it may be necessary to tighten the components from time to time, so please save the tools that has been provided.
6. Please keep all fitting out of reach of children.



## Hardware:

A		Bolt M8x45mm	x4
B		Flat Washer M8xD22mm	x4
C		Allen Wrench M5	x1

## Component:



(Style may vary)  
1 Headboard x1

2 Low Post x2

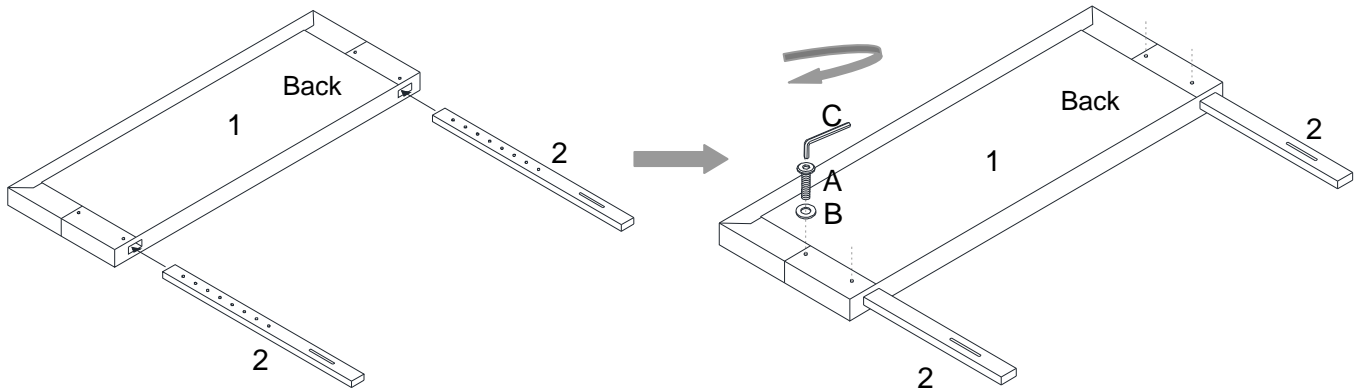
# HEADBOARD




## STEP 1:

Put the **Headboard (1)** upside down on a carpeted or padded area by two adults

Then insert the **Low Posts (2)** into the bottom of **Headboard (1)** and align pre-drilled **Low Post (2)** holes to the pre-drilled **Headboard (1)** Holes according to your desired headboard height.

Attach each of **Low Post (2)** by using 2 piece of **Flat Washer (B)** and 2 pieces of **Bolt (A)** from the holes on the back of **Low Post (2)** and **Headboard (1)**. Tighten with **Allen Wrench (C)**.

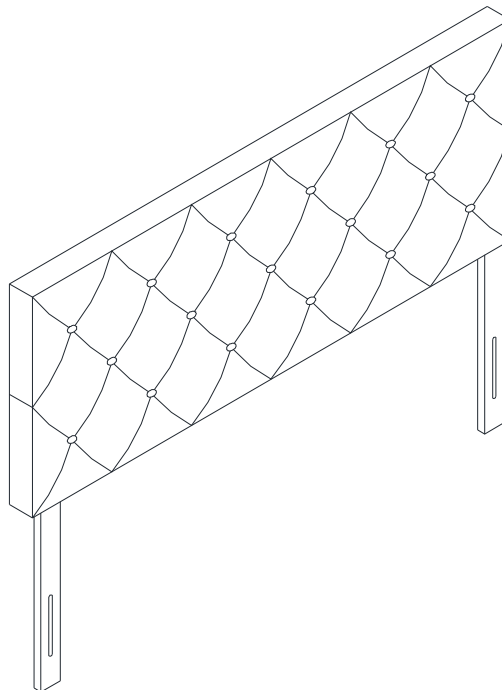


		
Ax4	Bx4	Cx1

Hardware & Tool required

## STEP 2:

Carefully turn up the assembled **Headboard (1)** by two adults.

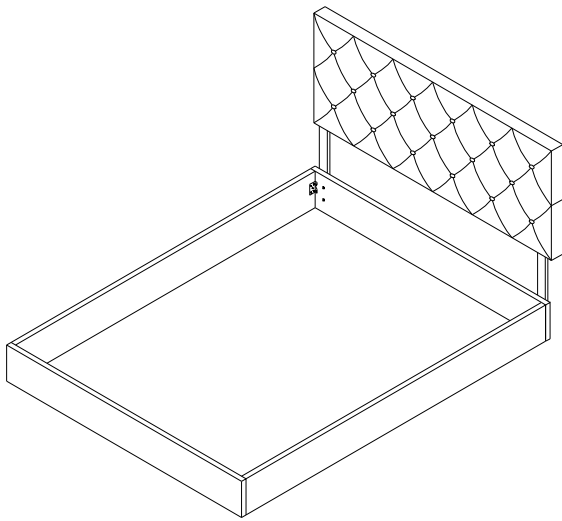


Assembly is completed. The headboard is ready to use now!







**NOTE:** Hardware may loosen over time. Periodically check that all connections are tight.

**ASSEMBLY INSTRUCTIONS**  
**OPTION 1**

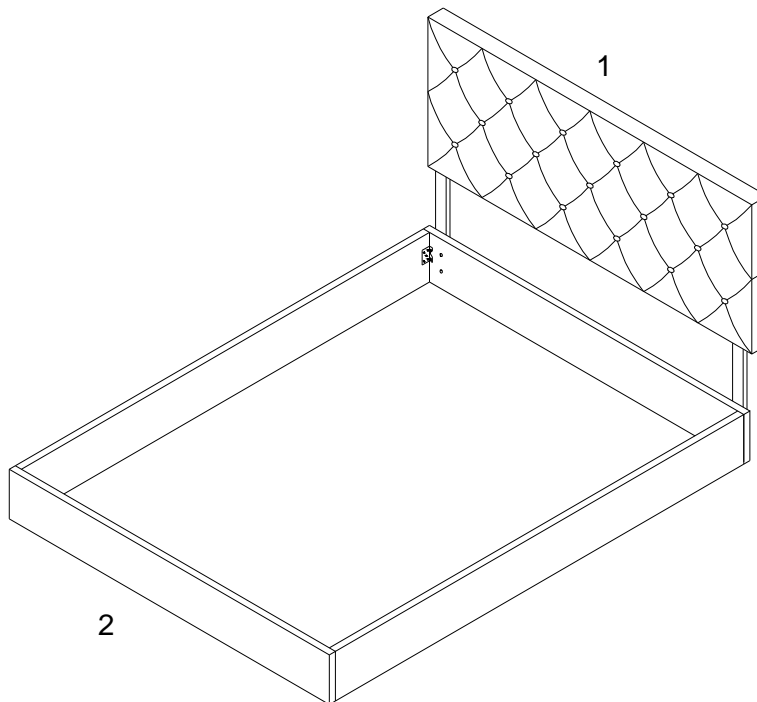
**OPTION 1**



**Hardware:**

A		Bolt M6x45mm	x4
B		Bolt M6x65mm	x4
C		Flat Washer M6xD22mm	x8
D		Spring Washer M6	x4
E		Hex Nut M6	x4
F		Allen Wrench M4	x1

**Component:**



**OPTION 1**

1 Headboard x1  
(Style may vary)

2 Bed Frame x1

## CONNECTING HEADBOARD TO BED FRAME

**Note:** Extra hardware were provided for attaching the headboard to your Bed Frame (use is optional).

### STEP 1:

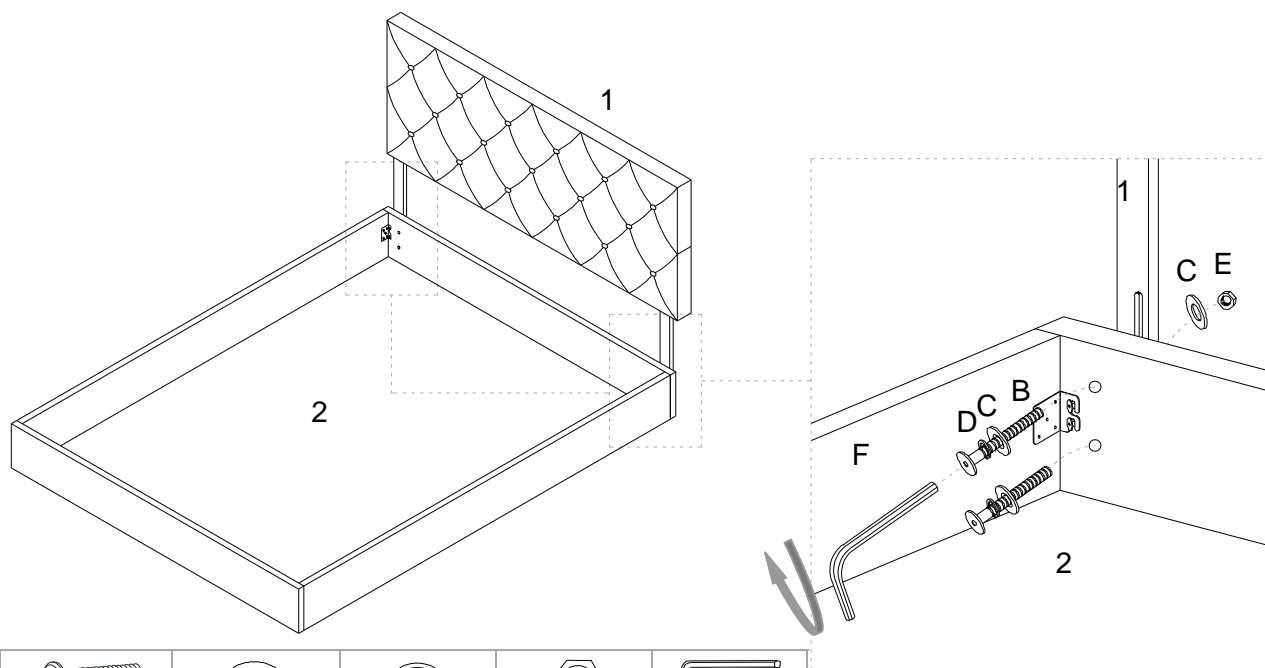
Line up the **Bed Frame (2)** board's pre-drilled holes to match those of the **Headboard (1)** .



Secure the **Headboard (1)** to the **Bed Frame (2)** by using 2 pieces of **Bolt (B)** for the thicker **Bed Frame (2)**, and 2 pieces of **Bolt (A)** for the thinner **Bed Frame (2)**.

Before inserting each bolt, place 1 piece of **Spring Washer (D)** and **Flat Washer (C)** on each bolt. Then fit 1 piece of **Flat Washer (C)** on the bolt as it protrudes through the other side of the **Bed Frame (2)**.

Place 1 piece of **Hex Nut (E)** after the **Flat Washer (C)** at the end of each bolt. Then tighten the **Bolts (A or B)** by using the **Allen Wrench (F)**.

Repeat the same procedure for each bolt and each side of the **Bed Frame (2)**.

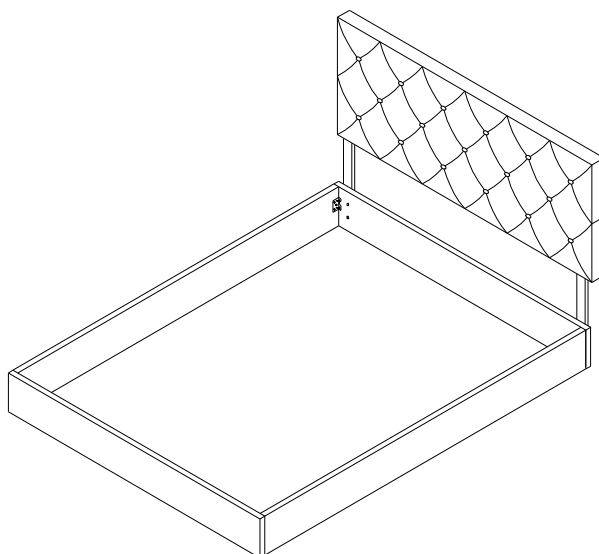


				
A or Bx4	Cx8	Dx4	Ex4	Fx1

Hardware & Tool required

### STEP 2:

Carefully position the assembled bed to the desired location by four adults.



Assembly is completed. The bed is ready to use now!

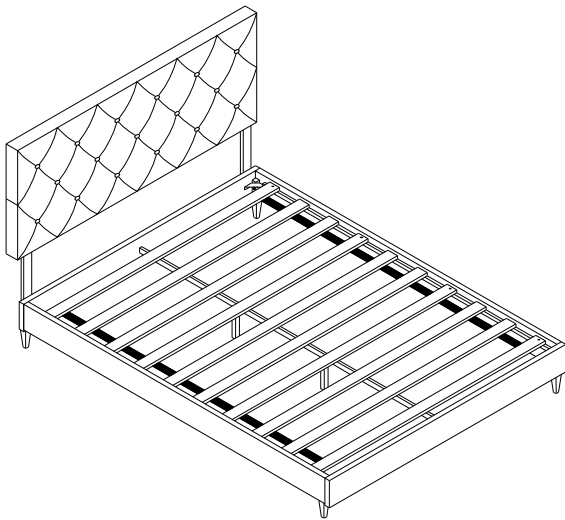
**NOTE:** Hardware may loosen over time. Periodically check that all connections are tight.

ASSEMBLY INSTRUCTIONS






OPTION 2

**Note:** This is assembly instruction for Headboard connect to Bed Frame

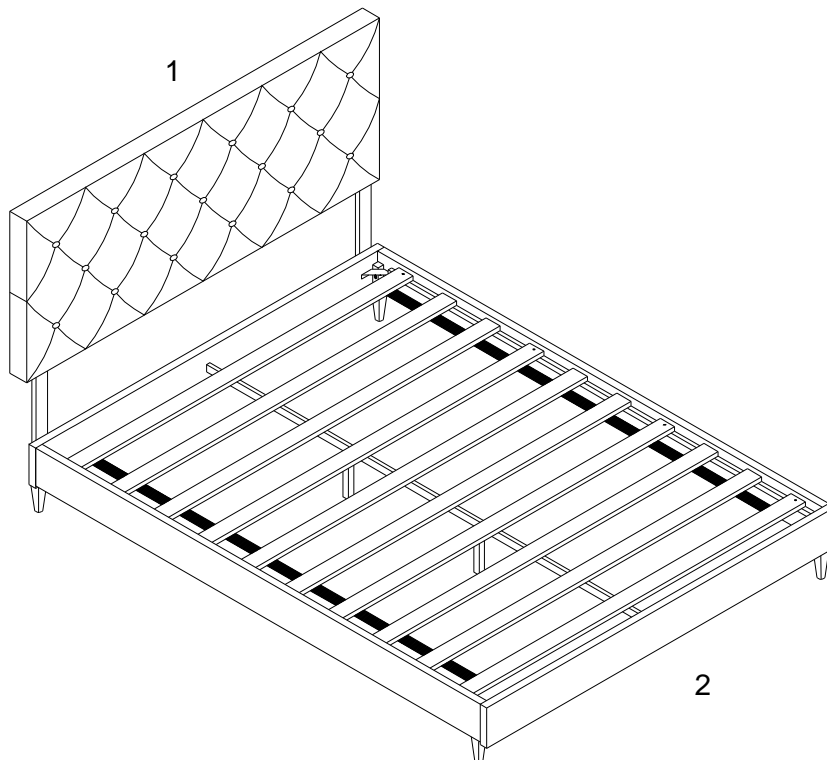
OPTION 2



Hardware:

A		Bolt M6x45mm	x4
B		Bolt M6x65mm	x4
C		Flat Washer M6xD22mm	x4
D		Spring Washer M6	x4
F		Allen Wrench M4	x1

Component:



OPTION 2

1 Headboard x1  
(Style may vary)

2 Bed Frame x1  
(Style may vary)

## CONNECTING HEADBOARD TO BED FRAME

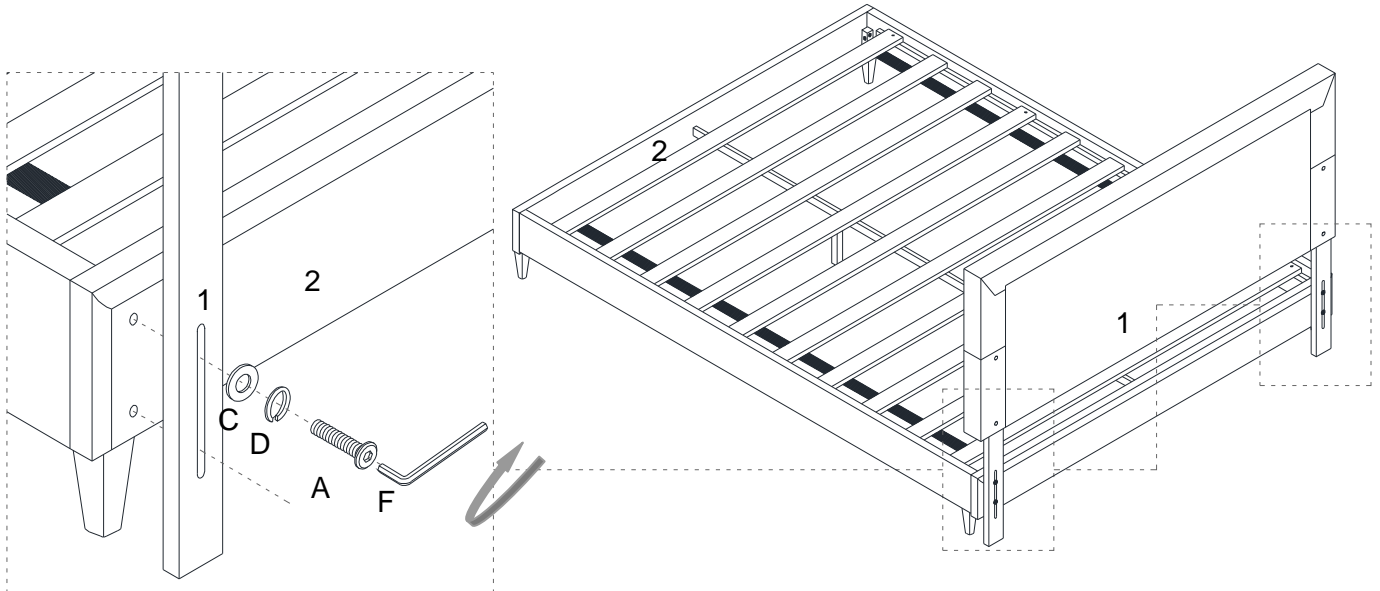
### STEP 1:





Line up the **Bed Frame (2)** board's pre-drilled holes to match those of the **Headboard (1)**.

Secure the **Headboard (1)** to the **Bed Frame (2)** by using 2 pieces of **Bolt (B)** with 2 pieces of **Spring Washer (D)**, 2 pieces of **Flat Washer (C)** for the thicker **Bed Frame (2)**, and 2 pieces of **Bolt (A)** with 2 pieces of **Spring Washer (D)**, 2 pieces of **Flat Washer (C)** for the thinner **Bed Frame (2)**.

Then tighten the **Bolts (A or B)** by using the **Allen Wrench (F)**.

Repeat the same procedure for each bolt and each side of the **Bed Frame (2)**.

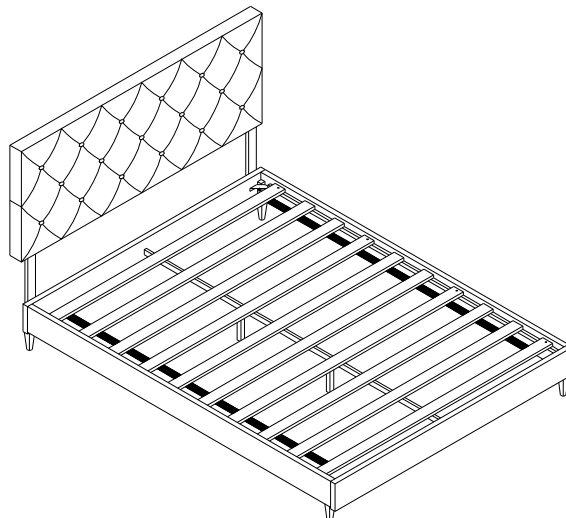


			
A or Bx4	Cx4	Dx4	Fx1

Hardware & Tool required

### STEP 2:

Carefully position the assembled bed to the desired location by four adults.



Assembly is completed. The bed is ready to use now!

**NOTE:** Hardware may loosen over time. Periodically check that all connections are tight.