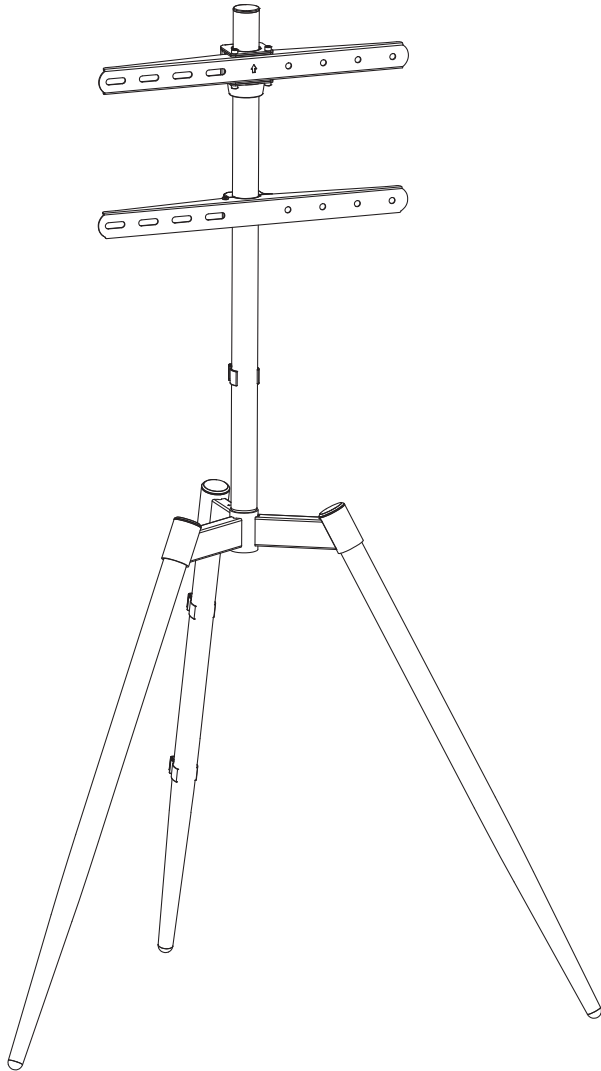


INSTALLATION NOTE MANUAL



Model No. TC104

TC104BWM
TC104WHT

Series No. YL-2308A

THANK YOU FOR PURCHASING

SERVICE CARD

We strive to make sure each piece of furniture you receive is perfect and that all parts and hardware in the parts list are included in your package. However, if there are any missing or damaged parts, please do not return your product to the place of purchase. Instead, please contact us. We will do our best to solve your problem and send the replacement parts to you as soon as possible from our local customer service center.

Please have the following information ready when you contact us.

Your detailed information will help us to bring you much more effective service.

Thank you for understanding.

- 1. Order ID.** - Found in your order details of the online shopping platform you used when purchasing
- 2. Model No.** - Found in the lower left corner of the manual cover, or use the SKU no. in the order details
- 3. Series No.** - Found in the lower right corner of the manual cover
- 4. Place of Purchase/Shipping Platform:** Amazon, Walmart, Ebay, etc.
- 5. Statement of the Problem:** Please advise us specifically of the problem you are encountering so that we can offer correct solutions.

NOTICE



Please read this assembly manual carefully and make sure you have all the parts in the list before you begin to install.

Meanwhile, please keep this assembly manual for future reference.



Please move the furniture gently with 2 persons.



Please protect the furniture by placing all parts on a soft surface during assembly.



Please don't place very warm/cold objects on top of any surface, clean immediately with microfiber cleaning cloths/towels if any liquids are left on the surface.

Never use multi-surface furniture polish spray or cleaner.

Do not touch the surface with a hard/sharp object that may cause scratches or broken.



Adult supervision required. Keep little parts of furniture far away from the children.

Do not allow children to climb onto the furniture.

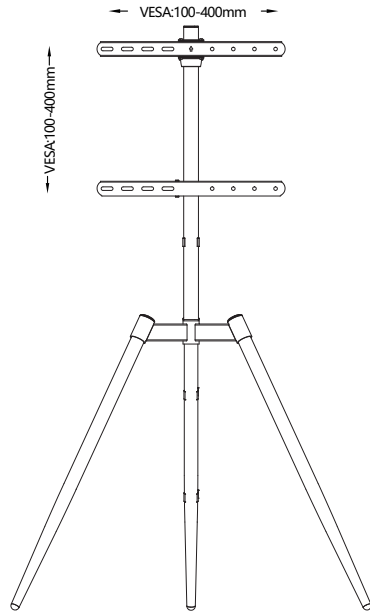
Improper use or incorrect assembly may cause death or serious injury.

Use extra safety straps to ensure the best tip-over protection.

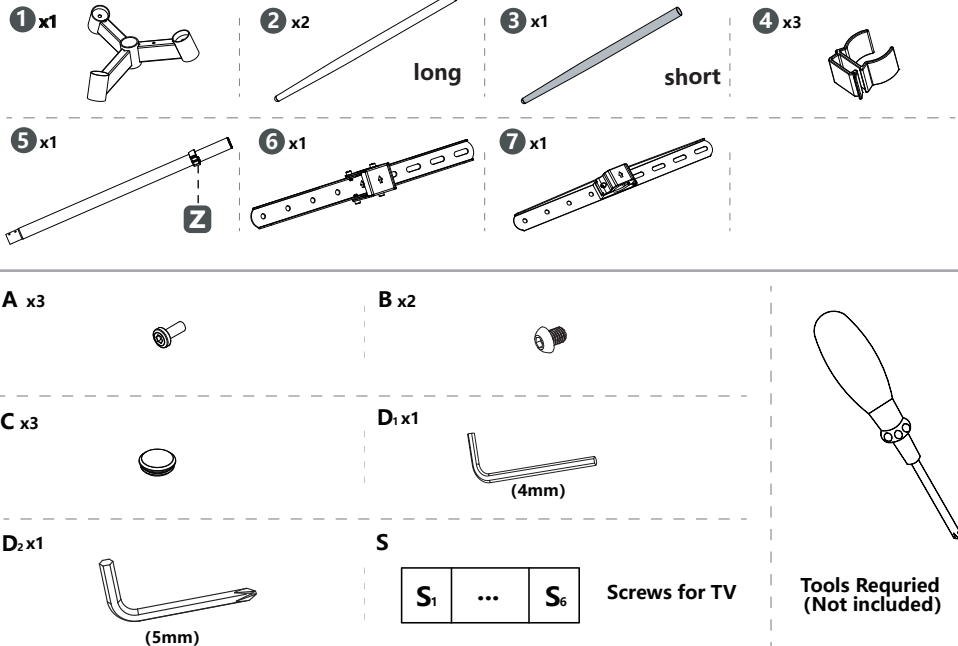
Do not use this product for any purpose or in any configuration not explicitly specified in this instruction.

We hereby disclaim any liability for injury or damage arising from incorrect assembly, incorrect mounting, or incorrect use of this product.

PRODUCT DESCRIPTION



PARTS LIST



MEASURE VESA FOR YOUR TV

1. What does the VESA standard mean?

The VESA standard is a standard for attaching flat screens / LCD / monitors / televisions to monitor mounts or TV mounts.

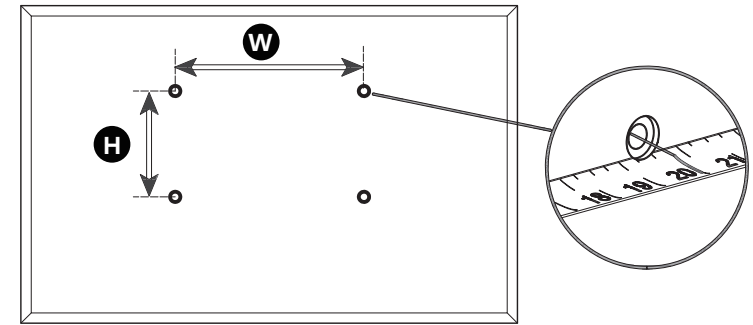
Prerequisite is that both the monitor / TV and the monitor mount have the same VESA standard.

2. Look at the back of your TV/monitor for threaded holes.

Measure the horizontal distance **W** and vertical distance **H** of the screw holes (center to center).

W x **H** should comply with the VESA standard of TV stand listed in below sheet.

Notice: If the TV/monitor is not compatible with VESA, it can still be attached to the desired bracket by using VESA Adapters(not included and should be purchased separately).



TV

Units: mm

W	x	H	
100	x	100	<input checked="" type="checkbox"/>
200	x	100	<input checked="" type="checkbox"/>
200	x	200	<input checked="" type="checkbox"/>
300	x	200	<input checked="" type="checkbox"/>
300	x	300	<input checked="" type="checkbox"/>
400	x	300	<input checked="" type="checkbox"/>
400	x	200	<input checked="" type="checkbox"/>
400	x	400	<input checked="" type="checkbox"/>

Units: inch


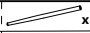
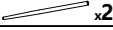
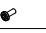

W	x	H	
4.0	x	4.0	<input checked="" type="checkbox"/>
7.9	x	4.0	<input checked="" type="checkbox"/>
7.9	x	7.9	<input checked="" type="checkbox"/>
11.8	x	7.9	<input checked="" type="checkbox"/>
11.8	x	11.8	<input checked="" type="checkbox"/>
15.7	x	11.8	<input checked="" type="checkbox"/>
15.7	x	7.9	<input checked="" type="checkbox"/>
15.7	x	15.7	<input checked="" type="checkbox"/>

VESA standard of TV STAND

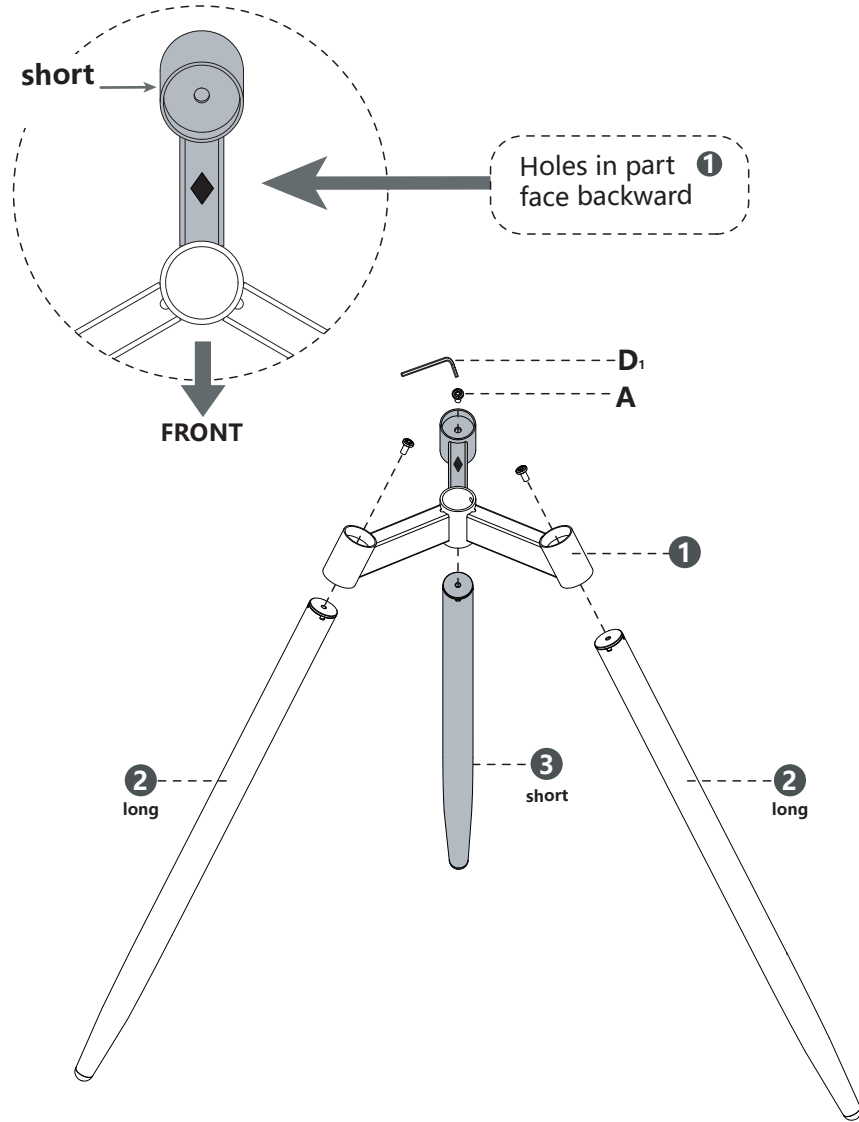


Please check the weight of your display, it should be less than 88lbs/ 40kgs.


1

1	 x1	3	 x1
2	 x2	A	 x3
		D	 x1

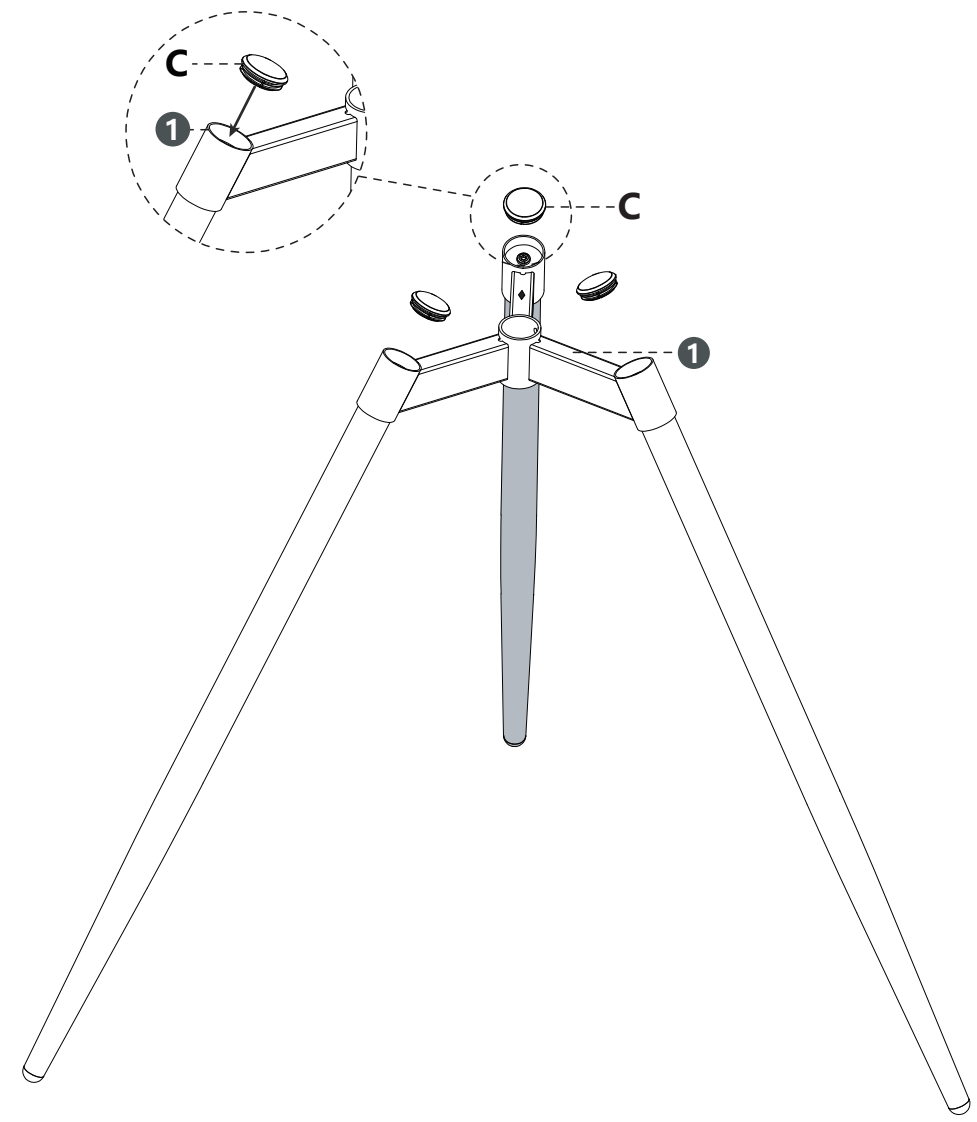
Insert tubes 2 and tube 3 into the corresponding holes of part 1, and lock them with screws A.
Notice: Part 1 has front and back directions.



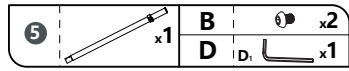
2

C	 x3
---	---

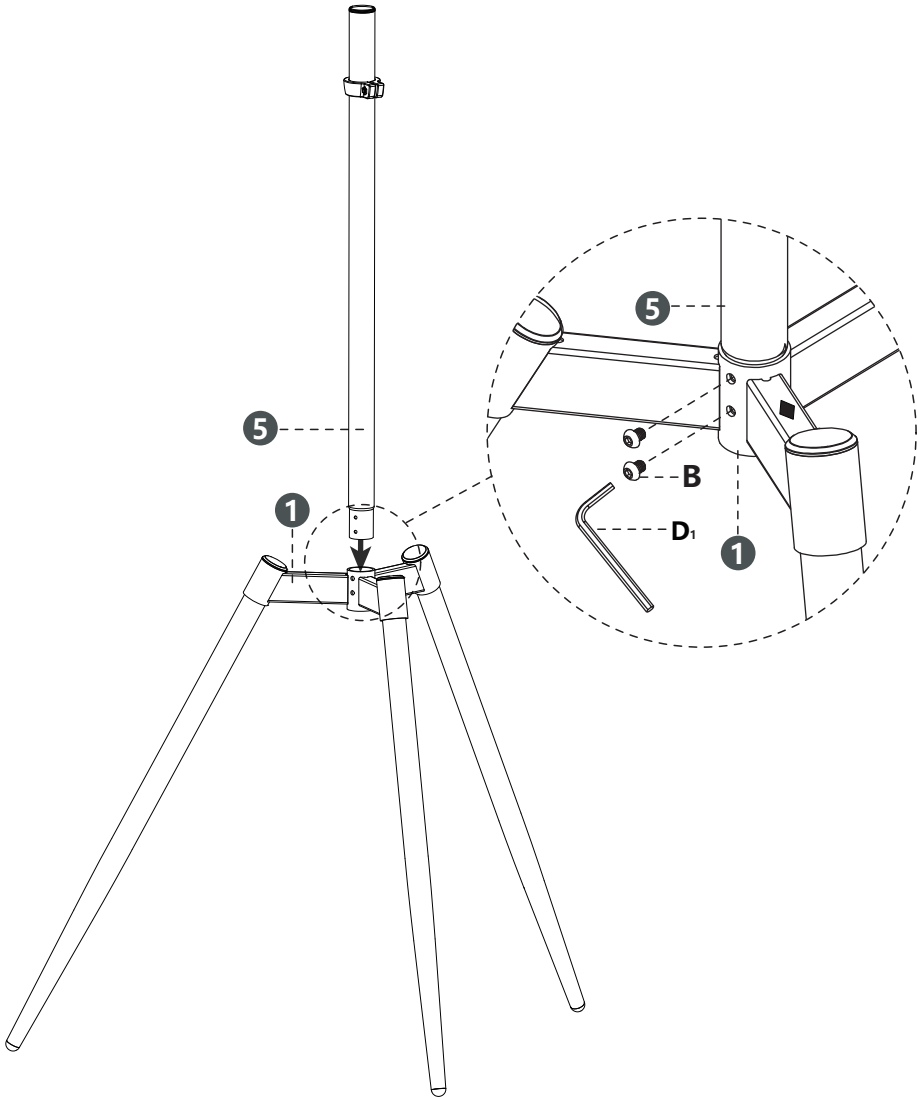
Place parts C in the corresponding holes position on part 1.



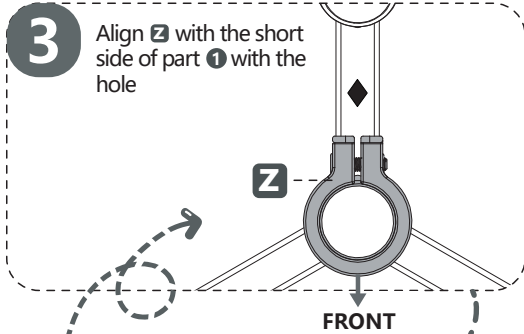
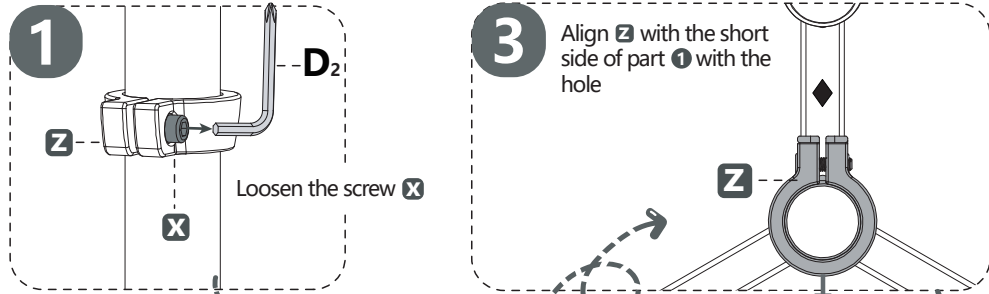
3



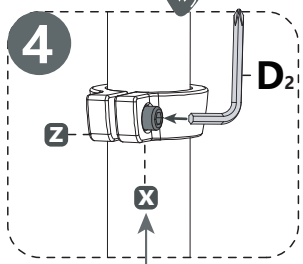
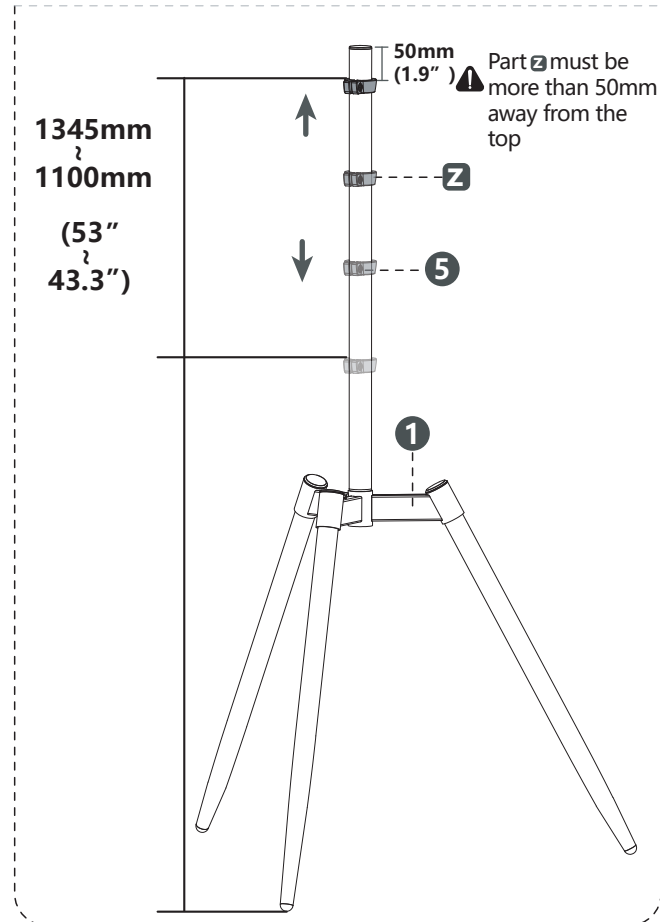
Insert part 5 to top of part 1 and fix them with screws B .



4



2 Select the appropriate height according to the size of the TV and the hole position on the back

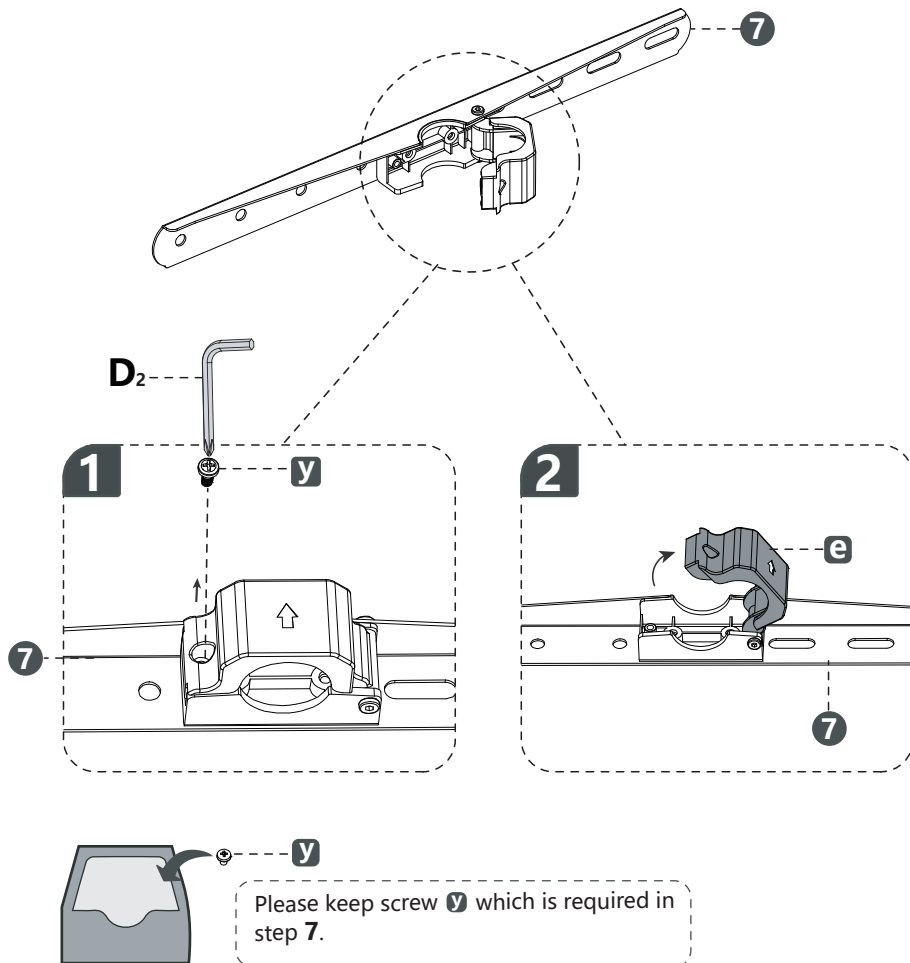


! To prevent the TV from slipping after installation, please tighten the screw X completely.

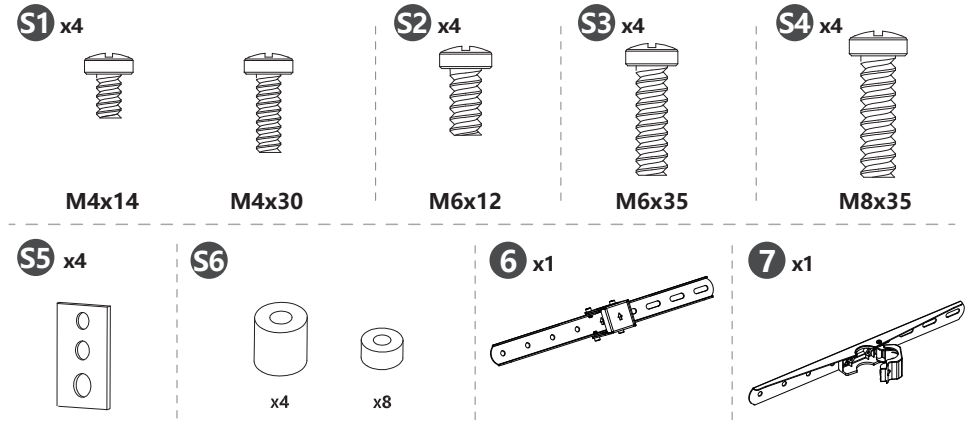
• The height is the reference value from the center of the 55-inch TV screen to the ground, not the actual height, which is mainly based on the actual TV size.

5

1. Use wrench **D₂** to completely remove screw **y** from the back of part **7** (keep screw **y** for next step)
2. Open part **e** at back part of **7**.

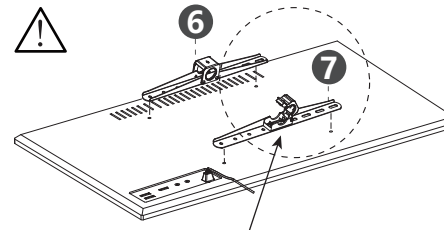
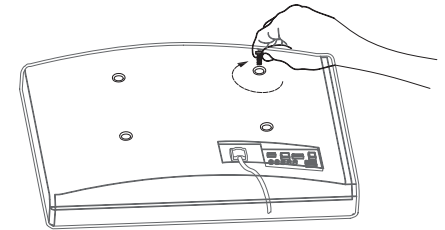
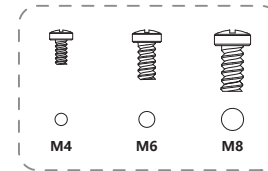


6

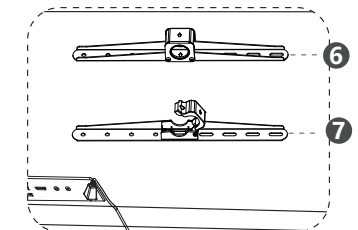


STEP 1 Select TV Screw Diameter

Please make sure the diameter of the screw **S1-S4** are suitable for your TV.



Notice: part **7** with an middle opening must be below part **6**.

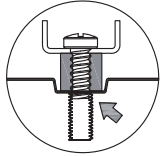


Round holes in part **7** and part **6** must be in the same direction.

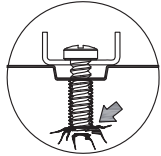
STEP 2

Select TV Screw Length

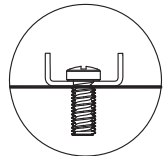
When attaching brackets to the TV, be careful not to over tighten screws and be sure that screws don't bottom out in the mounting holes. Please make sure the length of thread engagement at least 6 turns or 5/16 inch (8mm).



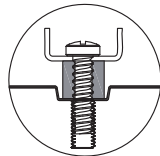
⊗ Too Short



⊗ Too long



✓ Correct



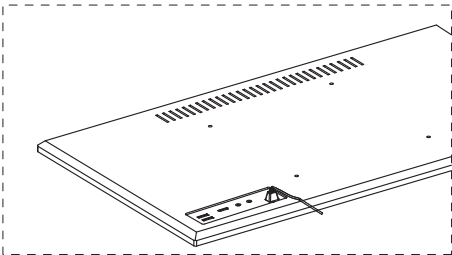
✓ Correct

STEP 3

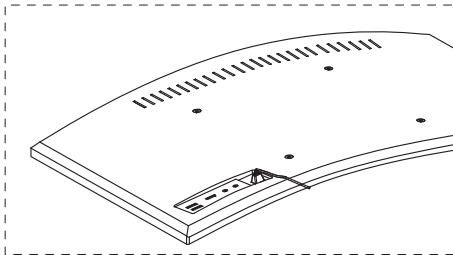
Select installation method according to TV



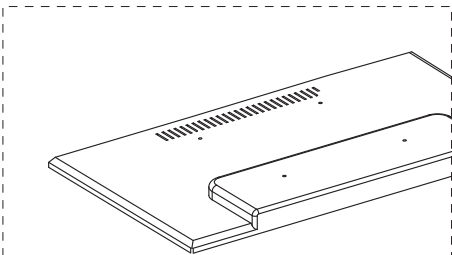
Please confirm the style of the TV backplane before installation and select the corresponding installation method



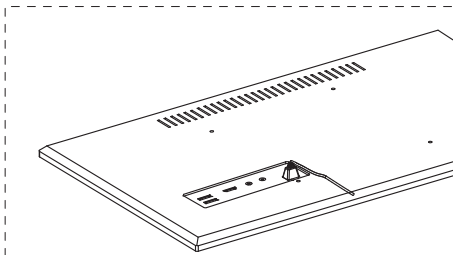
For flat back TV,
please choose "Option 1"



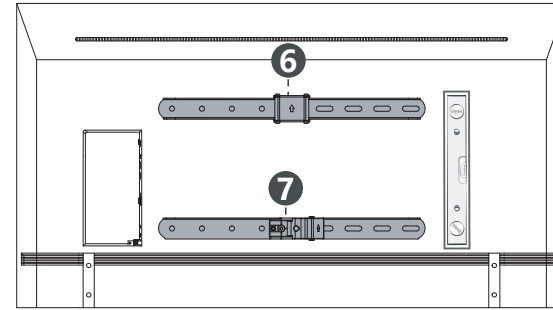
For round back TV or Curved TV,
please choose "Option 2"



For TV with A "Bump",
please choose "Option 3"

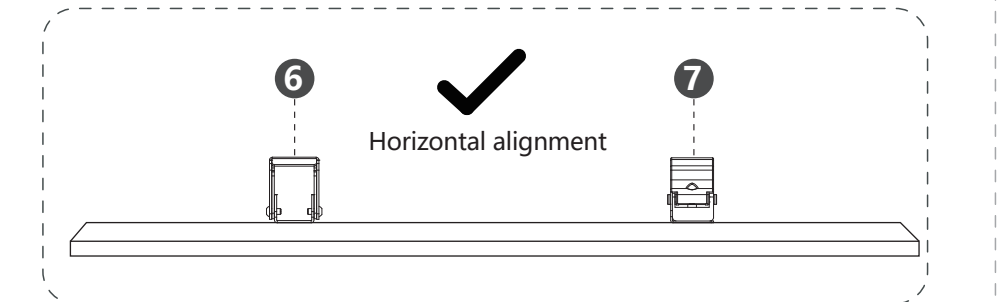
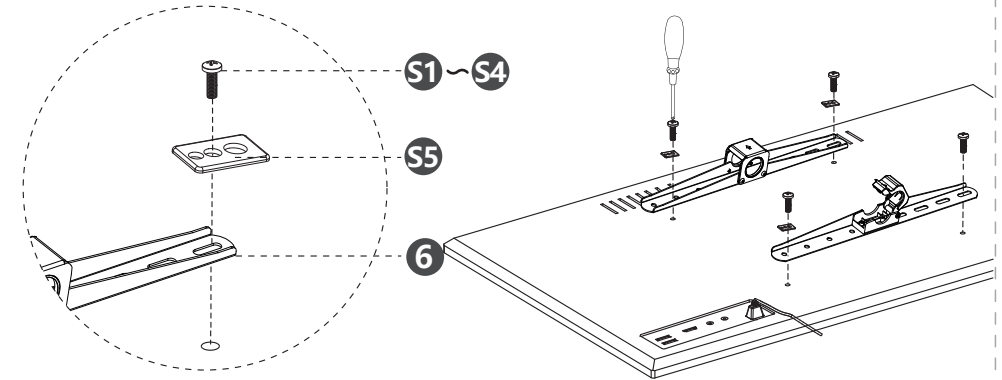


For potential cable blockage,
please choose "Option 4"



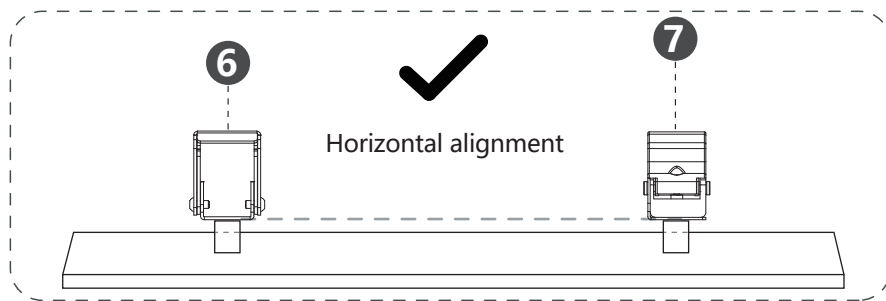
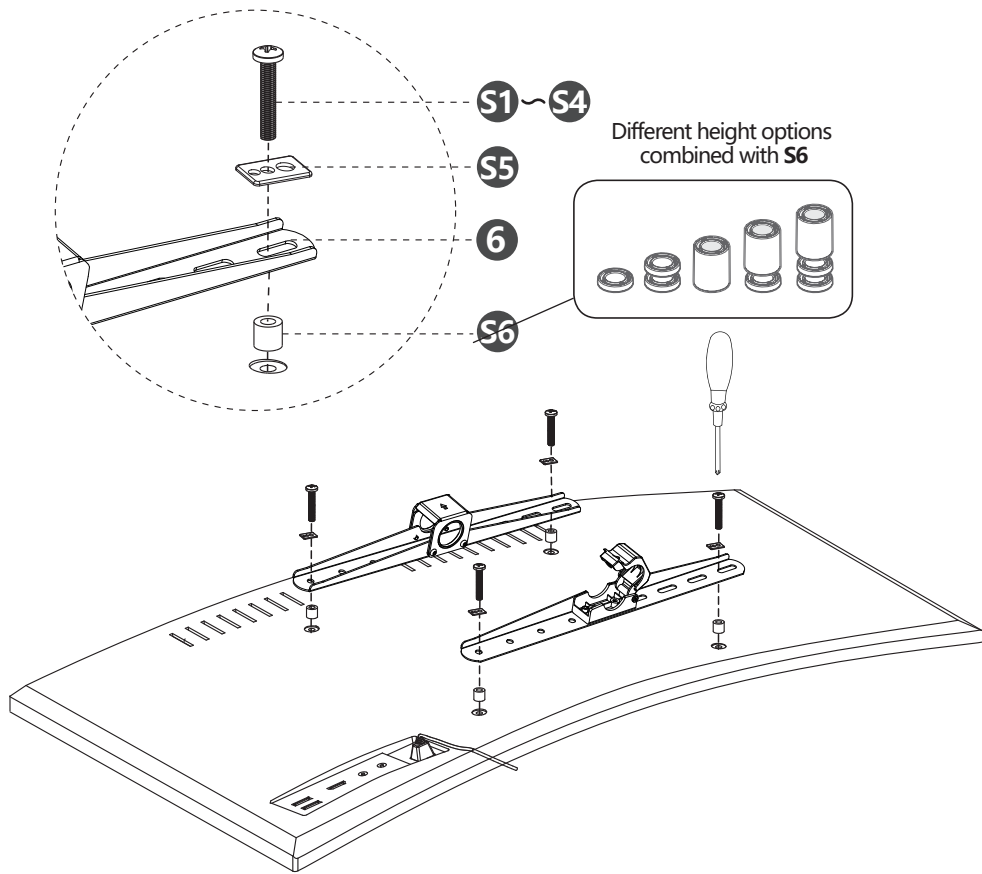
Please make sure the
brackets 6、7 are
vertically centered and
level with each other.

Option 1 (For Flat Back TV)



Take a side view to make sure parts 6 and 7 are parallel to each other and on the same plane.

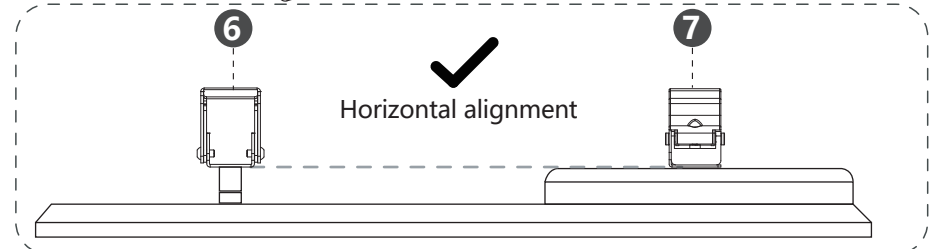
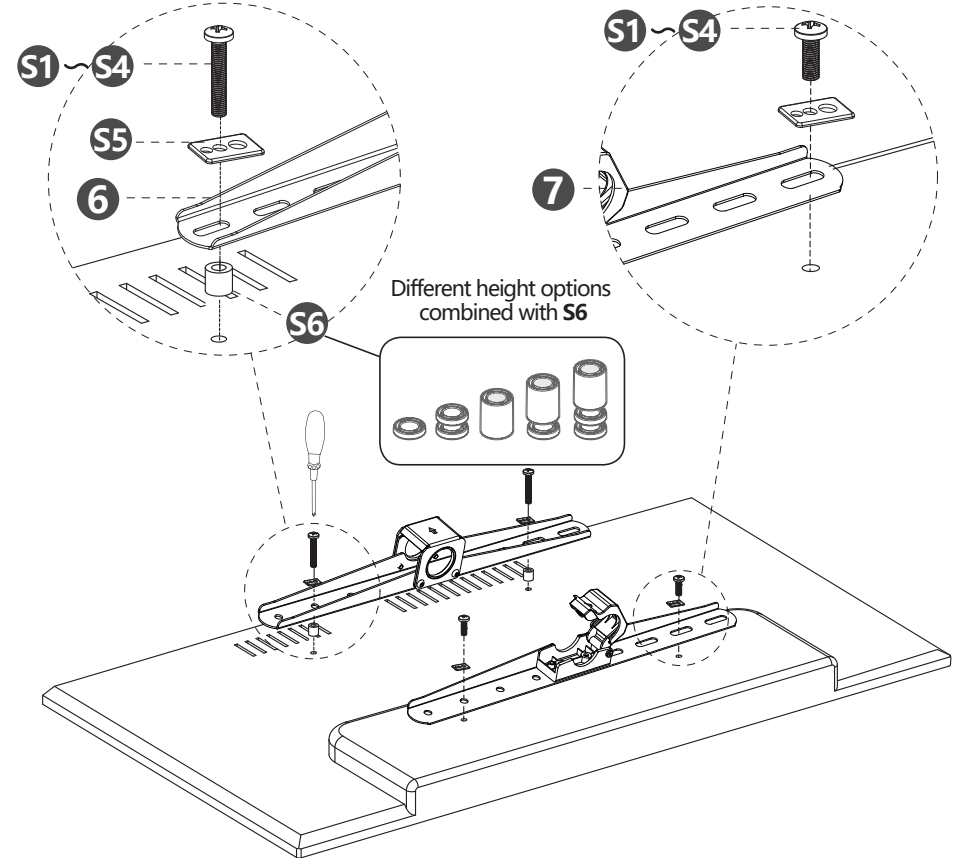
Option 2 (For Round Back TV or Curved TV)



Take a side view to make sure parts 6 and 7 are parallel to each other and on the same plane.

Option 3 (For TV with A "Bump")

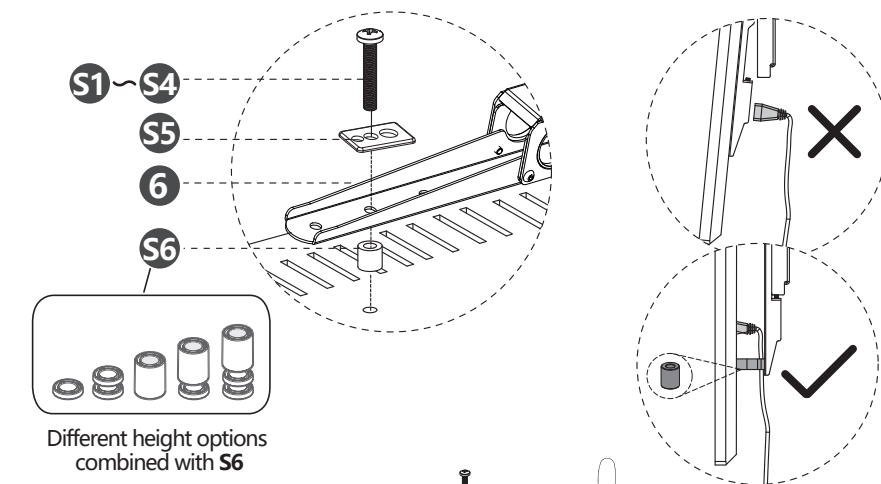
Spacers may be necessary for 2 holes ONLY.



Take a side view to make sure parts 6 and 7 are parallel to each other and on the same plane.

Option 4 (Potential Cable Blockage)

Spacers may be necessary when cables or plug/outlets are blocked by brackets.



Different height options combined with S6

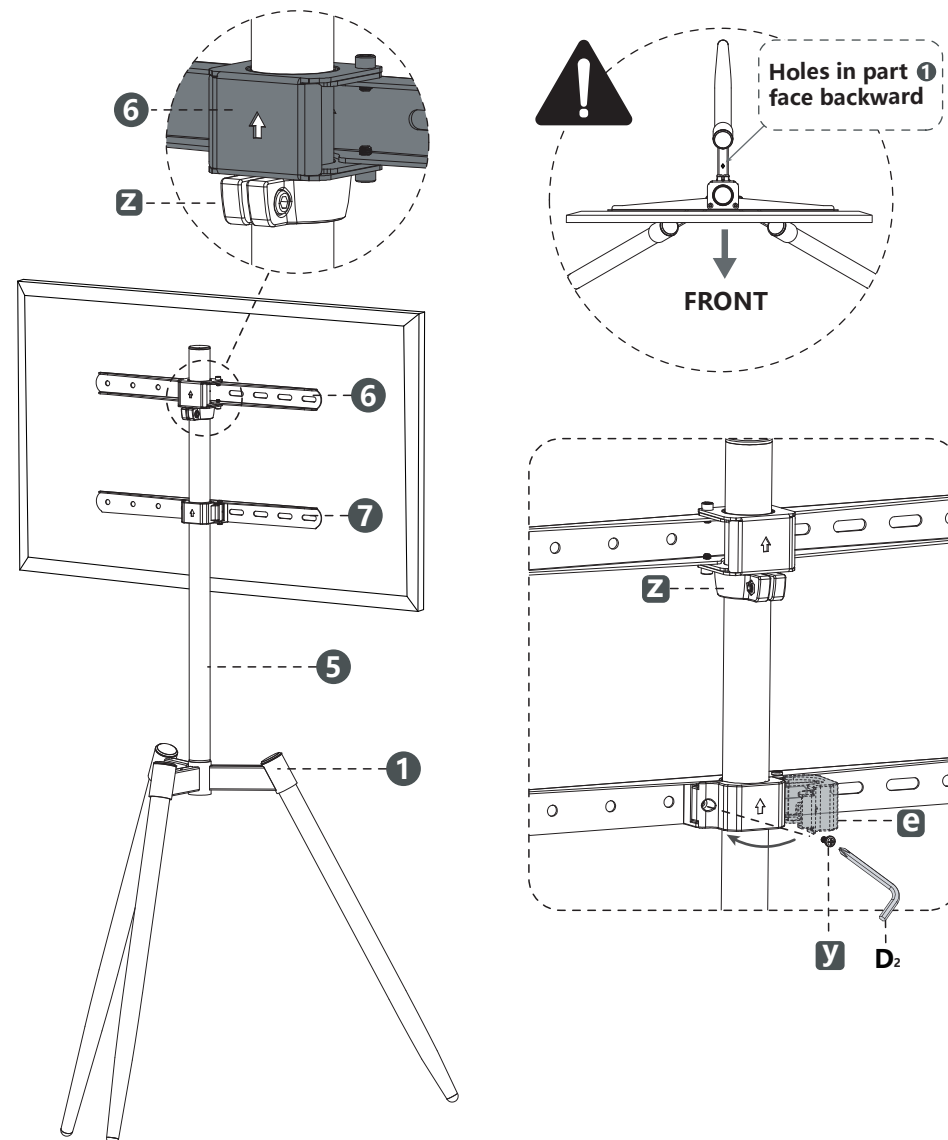
Horizontal alignment

Take a side view to make sure parts 6 and 7 are parallel to each other and on the same plane.

7

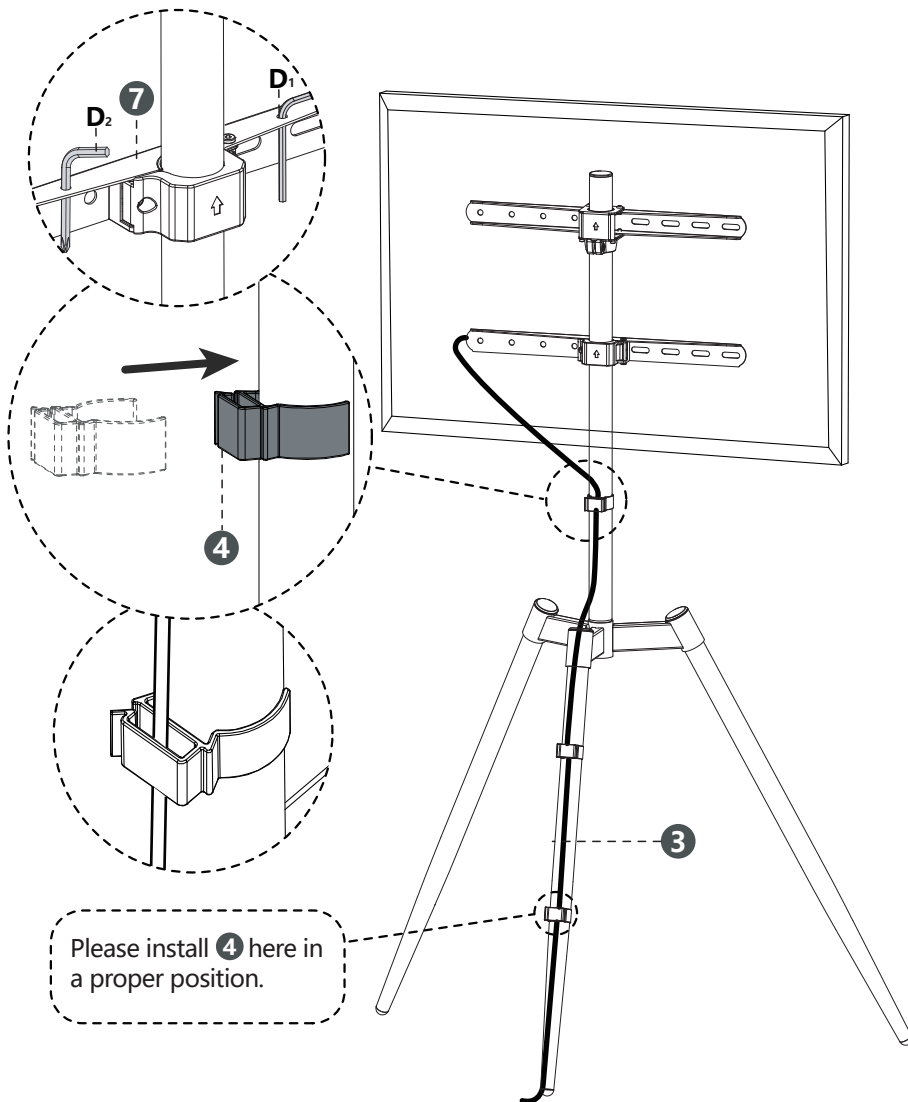
1. Assemble parts 5, 6, 7 as shown in below figures, part 6 should above part 7.
2. Close e at back of part 7 and use wrench y to tighten screw D₂.

Note: the long side of part 1 face to front side.





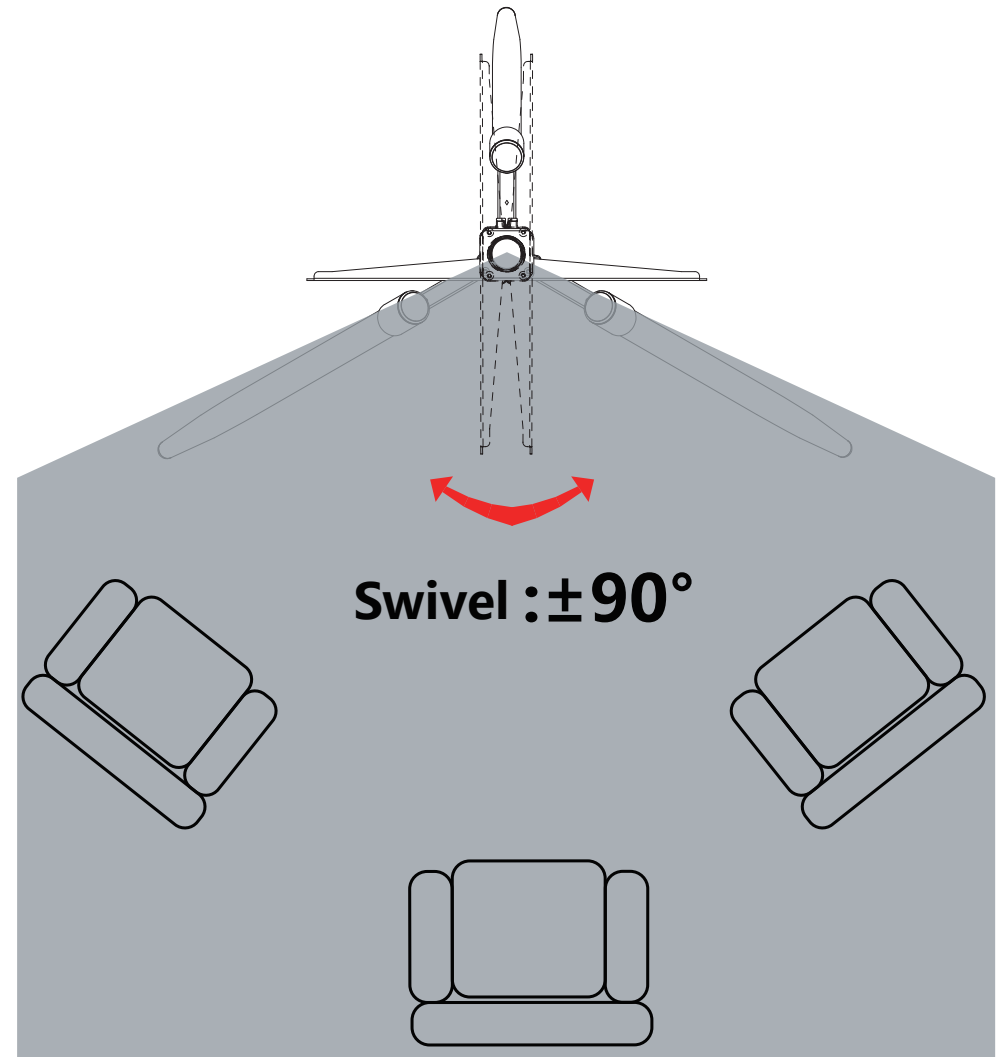
Cable management clips 4 lets you easily organize power and AV cords to keep things neat.



View Angle Adjustment

TV plate can swivel left and right 90 degrees in each direction to provide you a wide-range of viewing angles when watching TV.

Notice - Swivel function is manual not automatic.



CUSTOMER SERVICE SUPPORTS

CONTINENTS

North America **US CA MX**
Europe **UK DE FR IT ES**
Asia **JP CN IN**

CONTACT DETAILS

1 626 400 2997 (CST 8AM - 5PM Mon.-Fri.)

MAILBOX

cs@rfiver.com
eucs@rfiver.com
jpcs@rfiver.com