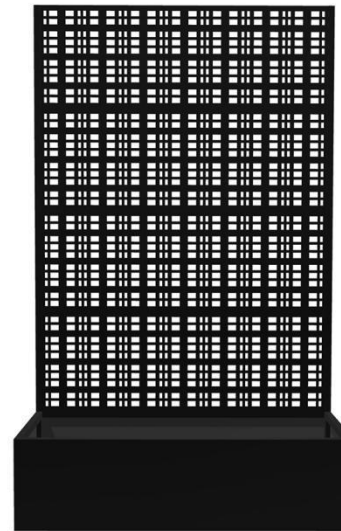
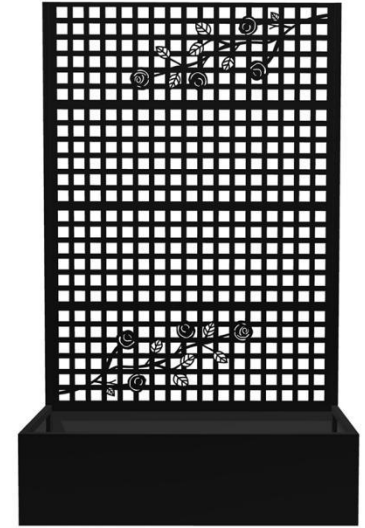
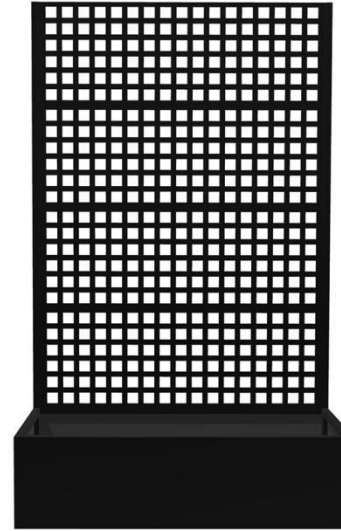


Raised Garden Bed With Trellis



You're only a few steps away from your perfect raised garden bed with trellis or outdoor privacy screen with planters.

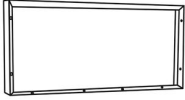

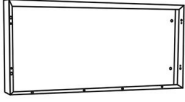







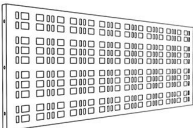



Before You Start

Please read the instructions carefully to familiarize yourself with every detail and step involved. Keep this manual for future reference. Find a suitable space to assemble your new Raised Garden Bed.

Important Notes

Small parts are included; we advise you to keep them away from children and pets. We also suggest having another person help you assemble.

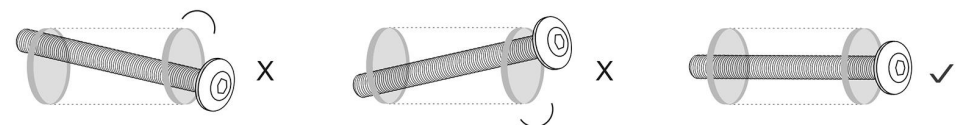
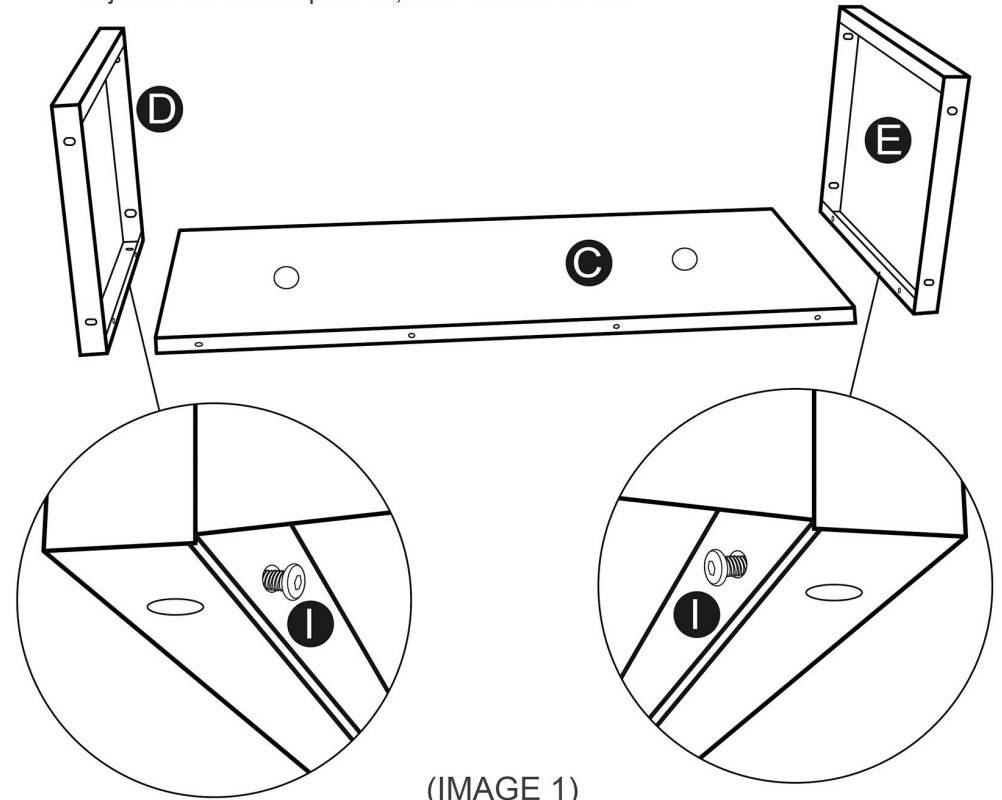
Assembly Unit

NO.	PARTS	QTY	NO.	PARTS	QTY
A		1PCS	I	 M6*15MM	52+5PCS
B		1PCS	J	 M6*50MM	4PCS
C		1PCS	K		36+5PCS
D		1PCS	L		4PCS
E		1PCS	M		1PC
F		4PCS	N		1PC
G		2PCS			
H		2PCS			

Assembly -1

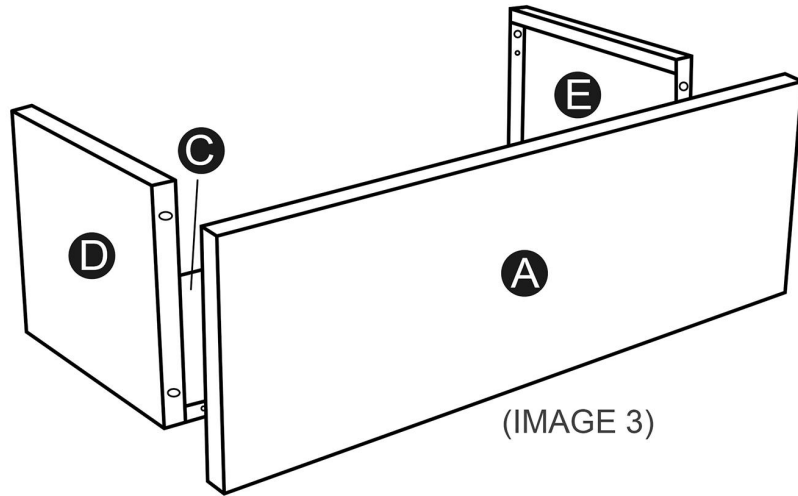
First make sure the holes for each screw are in the correct position. Reference **IMAGE 1**. Put the short board **D** and the short board **E** perpendicular to the ground and the bottom board **C**, and install the short board **D/E** and the bottom board **C** with screws **I**.

NOTE: Sometimes the screws can get misaligned, as shown in **IMAGE 2**, which can cause the panels to misalign. Please turn the screw in half and adjust to the correct position, then lock the screw.

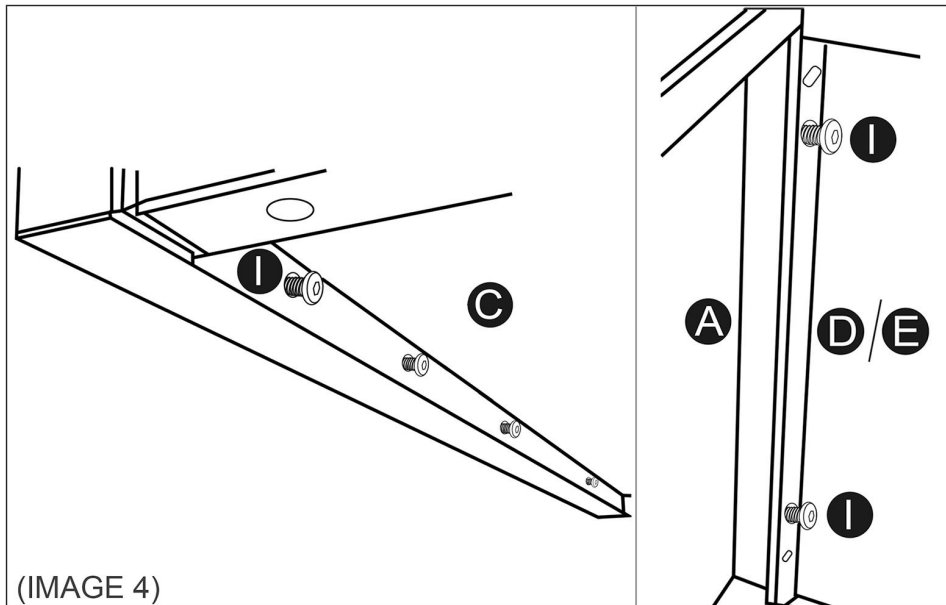


Assembly-2

As shown in **IMAGE 3**, use four screws **I** to install the long board **A** and the bottom board **C**, and then use four screws **I** to fix the long board **A** and the short board **D/E** as shown in **IMAGE 4**. This step is one step away from a perfect planting box.



(IMAGE 3)



(IMAGE 4)

Assembly-3

Repeat the previous step to install long board **B** and bottom board **C** with four screws **I** (IMAGE 5), and fix long board **B**, tube **H** and short board **D/E** with four screws **J** & **K** (IMAGE 6), you will get a perfect planter box.

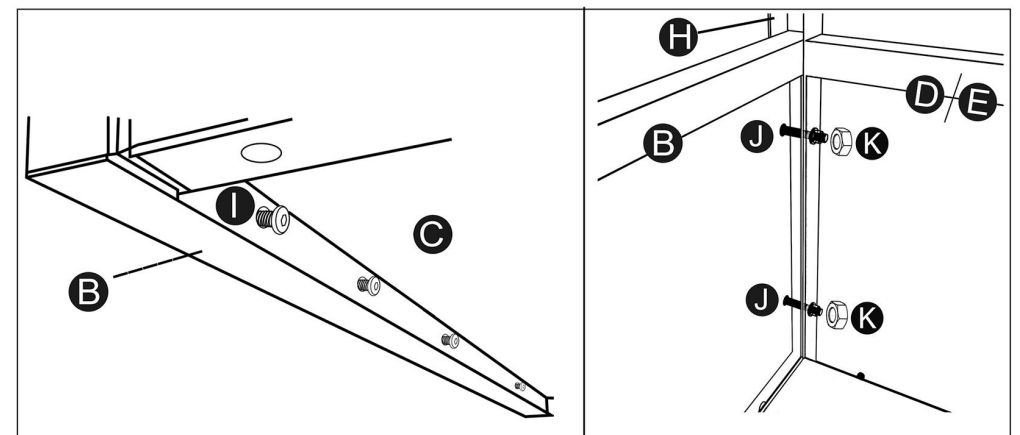
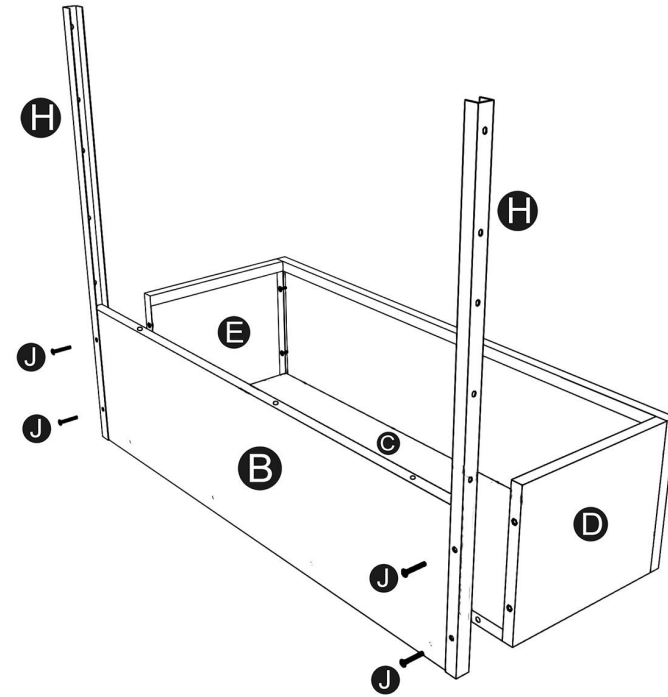
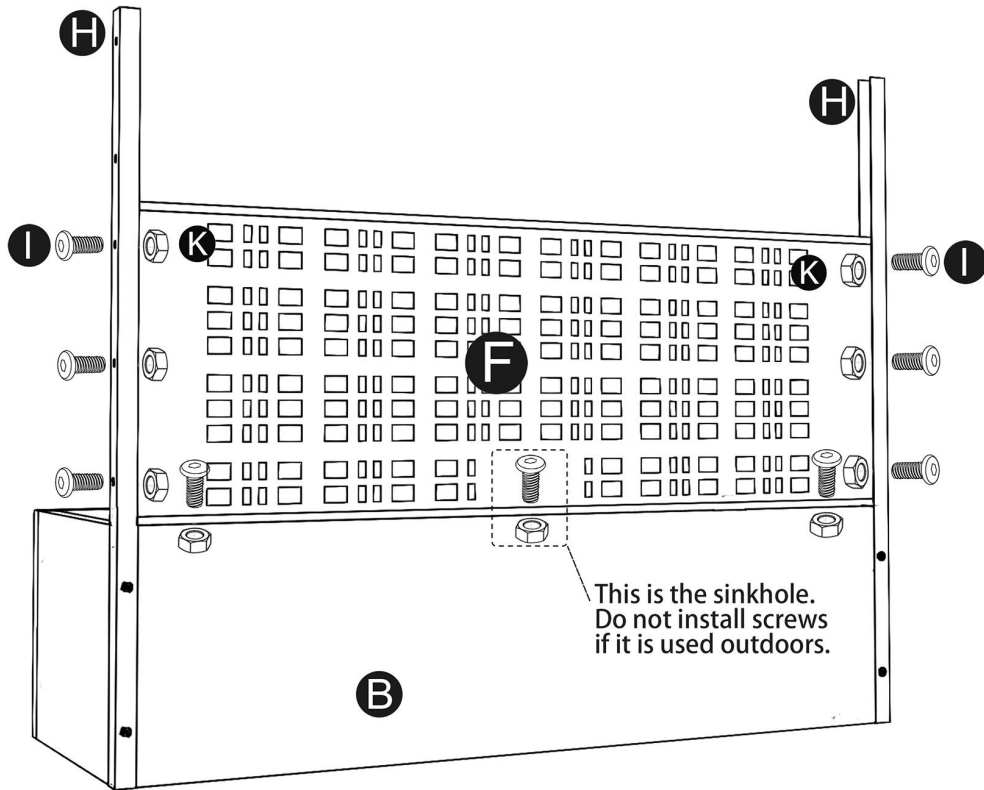


IMAGE 5

IMAGE 6

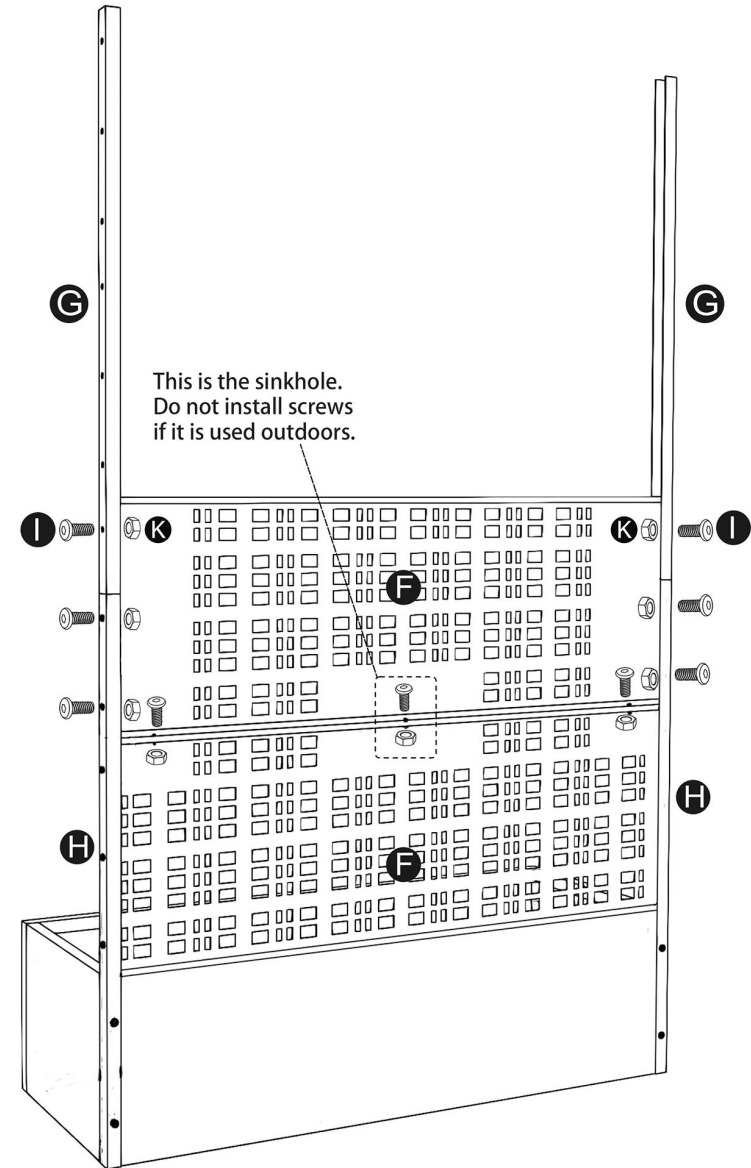
Assembly-4

Insert the panel F and fix the panel with screws I & K.



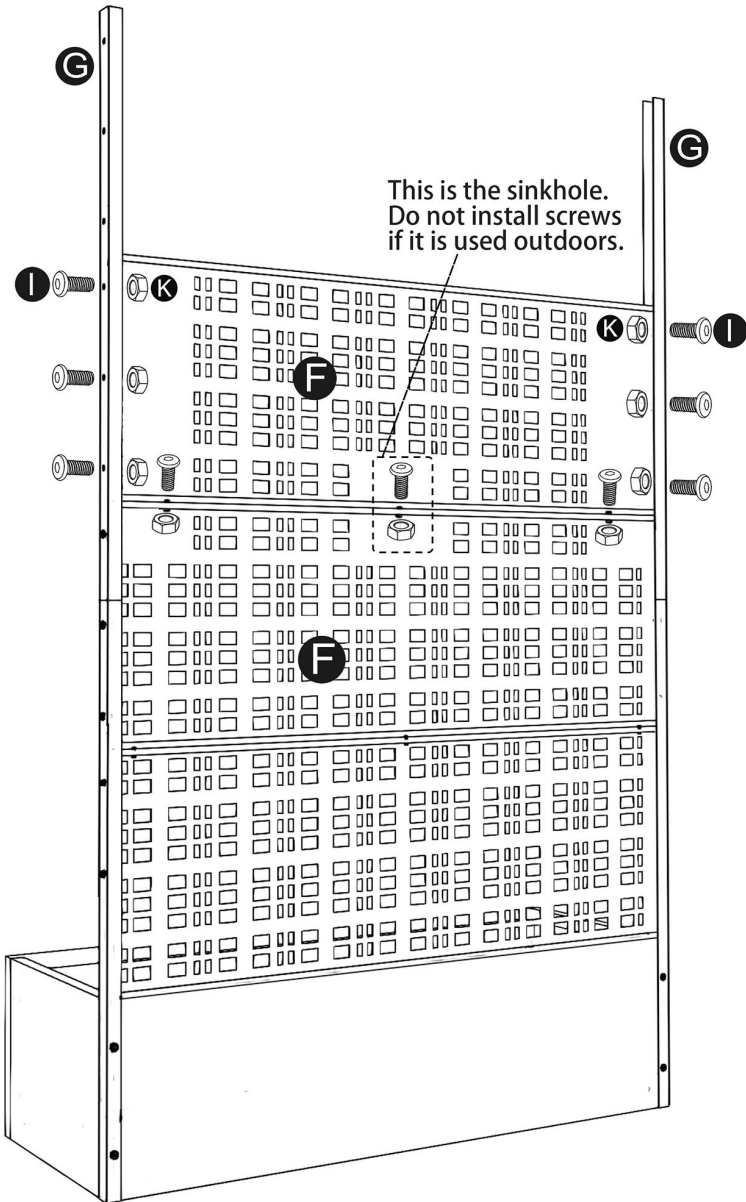
Assembly-5

Install the second panel F, first panel F and tube H with screws I & K. Then install the tube G and second panel F with screws I & K.



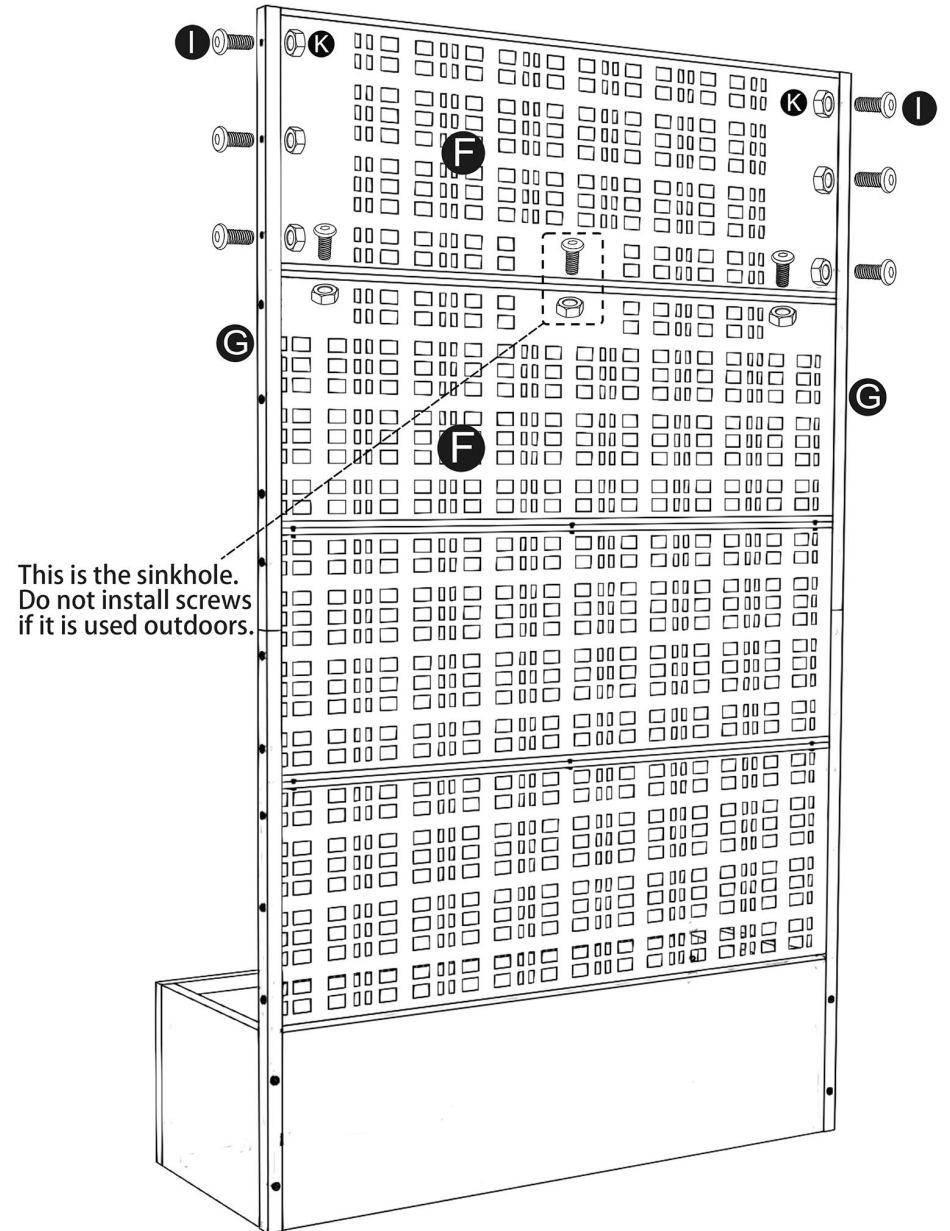
Assembly-6

Install the third panel F, second panel F and tube G with screws I & K.



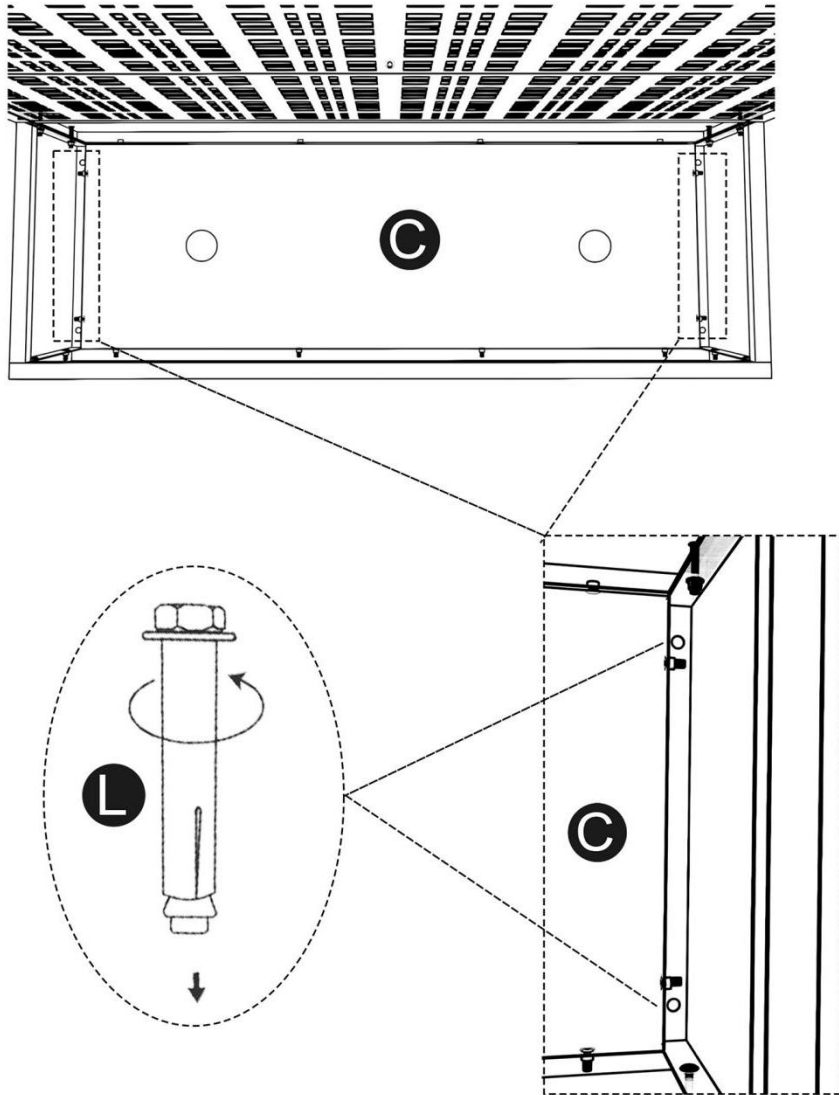
Assembly-7

Install the fourth panel F, third panel F and tube G with screws I & K.



Note

Use Hex-Head Sleeve Anchors to fix the planter box on solid ground if necessary.



-END-