



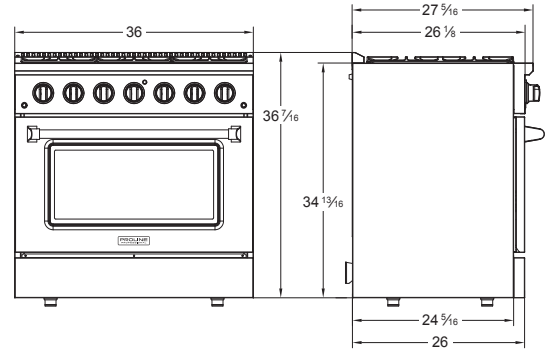
The PLSR 36GG

Embrace the perfect harmony of performance, capacity, and design with our 6-burner PLSR 36GG gas range and 4.5 cu.ft electric convection oven. Elevate your kitchen and culinary experience by ordering yours today and savor the pleasure of consistently flawless cooking!

Cooktop

6 burners for ultimate cooking flexibility:

- 1 x 20,000 BTU dual burners with simmer
- 1 x 15,000 BTU burners
- 1 x 12,000 BTU burners
- 2 x 9,000 BTU burners
- 1 x 6,000 BTU burners
- Heavy-duty cast-iron cooking grates for durability and heat retention



Dimensions & Electrical Requirements

Dimensions 36" W x 27 5/16" D 36 1/16" H
(37 1/4" Adjustable)

Electrical Req. 120V/60Hz or 2.0A

Ovens

- 4.5 cu. ft. oven with 16,500 BTUs convection for perfect roasting and baking
- Blueporcelain oven interiors for easy cleaning and stylish appearance
- 2 halogen lights for excellent visibility
- 2 layers of glass on oven windows for added safety
- Manual oven control and electronic ignition with auto re-ignition for reliable performance
- Manual convection cooking mode for ultimate control



Design & Details

- Black porcelain top and full stainless steel side panels for a sleek, modern look
- Premium quality metal control knobs
- Extra-large oven windows
- 4" stainless steel backsplash for a professional finish.
- Fully adjustable heavy-duty legs for stability and easy leveling

Accessories

- Available in Natural Gas or Liquid Propane to suit your fuel preference