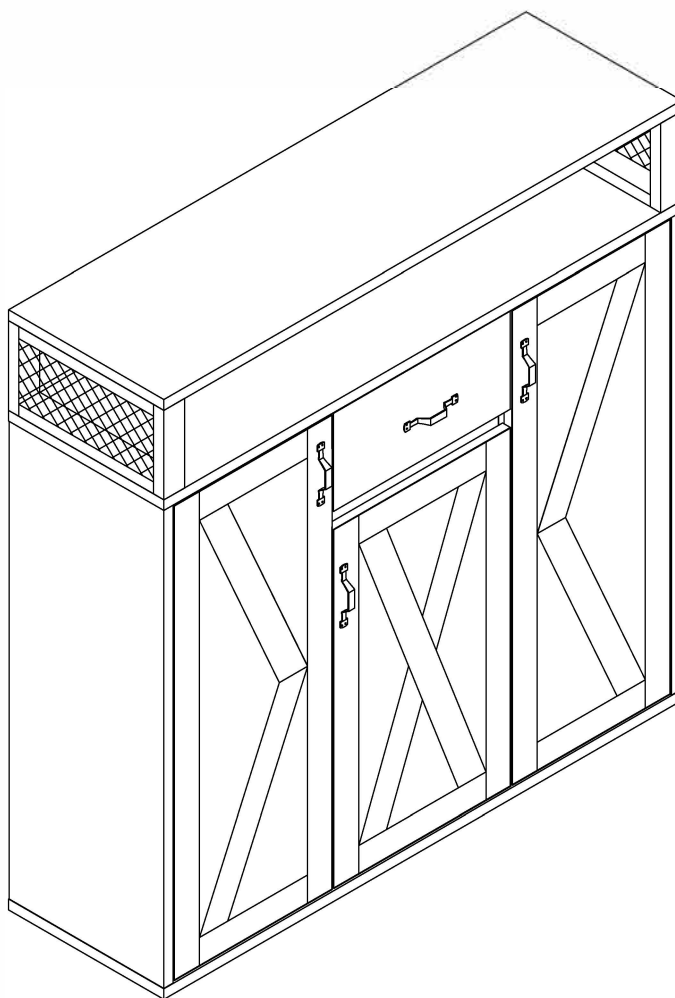


# ASSEMBLY INSTRUCTION FOR ACME FURNITURE

Thank you for purchasing the quality product. Be sure to check all packing material carefully for small parts which may have come loose inside the carton during shipment. Separate, identify and count all parts and metal hardware. Compare with all parts list to be sure all parts are present. If any part(s) are missing or damaged, please contact your local furniture dealer. For efficient and speedy service, please indicate the model number and code letter of part(s) needed.

**\*\*\*Do not fully tighten screws until fully assembled\*\*\***

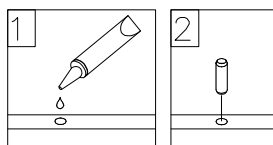


## Attention:

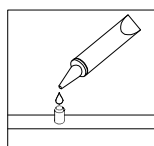
\*\*\*Some number parts listed on the instruction sheet may not be in parts bag as they may already be assembled. Carefully check parts and packing materials prior to ordering replacements.

# General Assembly Guidelines

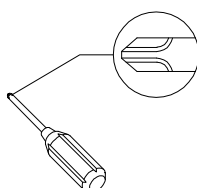
- I. Ensure that all parts and hardware are available before beginning assembly.
- II. Follow each step carefully to ensure the proper assembly of this product.
- III. Two people are recommended for ease in the assembly of this product.
- IV. The three main types of hardware used to assemble this product are: wood dowels, screws and bolts.
- V. The provided glue is to secure wood dowels in place. When first inserting dowels, locate the appropriate hole for the dowel, place a small amount of glue in the hole and insert the dowel. Wipe away excess glue immediately.



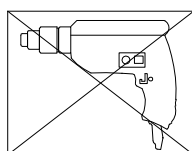
In future assembly steps when dowels are necessary to attach assembly parts together, place a small amount of glue on the end of the dowel before attaching parts together. Wipe away excess glue immediately.



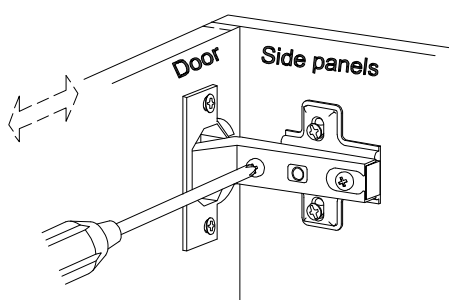
- VI. A Phillips head screwdriver is required for the assembly of this product.



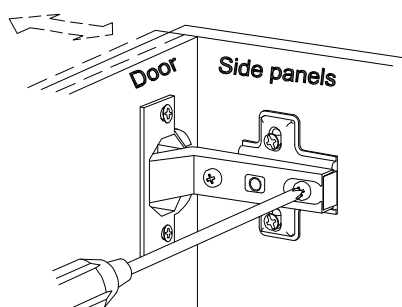
- VII. Power tools should not be used to assemble this product.



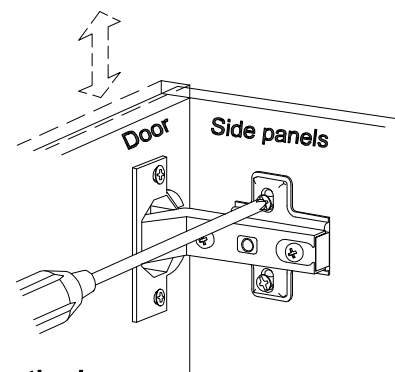
- VIII. Concealed hinges are three-way adjustable.



**Horizontal**  
by screw adjustment

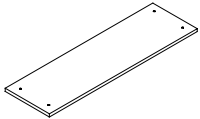
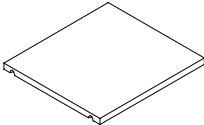
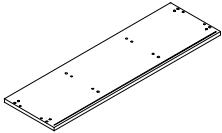
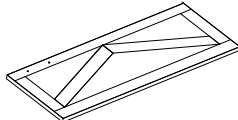
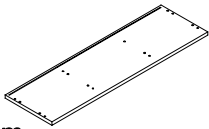
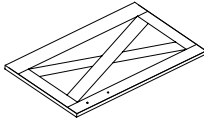
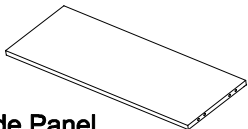
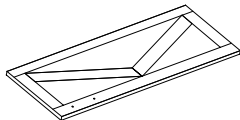
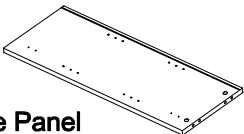
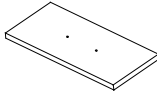
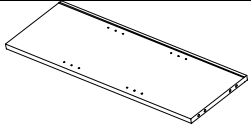
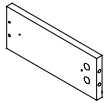
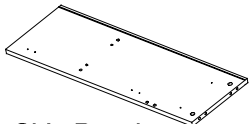
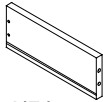
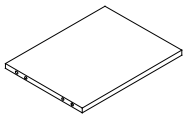
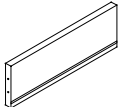
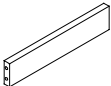
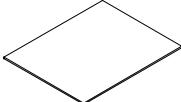
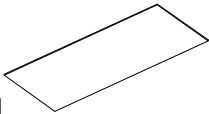
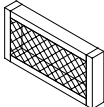



**In-and-Out**  
by loosening the hinge-arm  
mounting screw or via cam  
adjustment










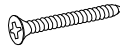



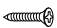






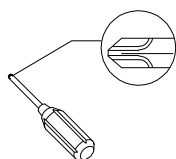
**Vertical**  
Via slots in the mounting  
plate or via cam adjustment

# COMPONENT PARTS

DESCRIPTION	PART NAME	QTY(PCS)	DESCRIPTION	PART NAME	QTY(PCS)
①	 Top Panel	1	⑫	 Shelf	4
②	 Table Top	1	⑬	 Door	1
③	 Table Bottom	1	⑭	 Door	1
④	 Left Side Panel	1	⑮	 Door	1
⑤	 Right Side Panel	1	⑯	 Drawer Front Panel	1
⑥	 Middle Side Panel	1	⑰	 Drawer Side Panel(L)	1
⑦	 Middle Side Panel	1	⑱	 Drawer Side Panel(R)	1
⑧	 Shelf	1	⑲	 Drawer Back Panel	1
⑨	 Support Panel	1	⑳	 Drawer Bottom Panel	1
⑩	 Back Panel	2	㉑	 Metal Mesh	2
⑪	 Back Panel	1			

# Hardware List

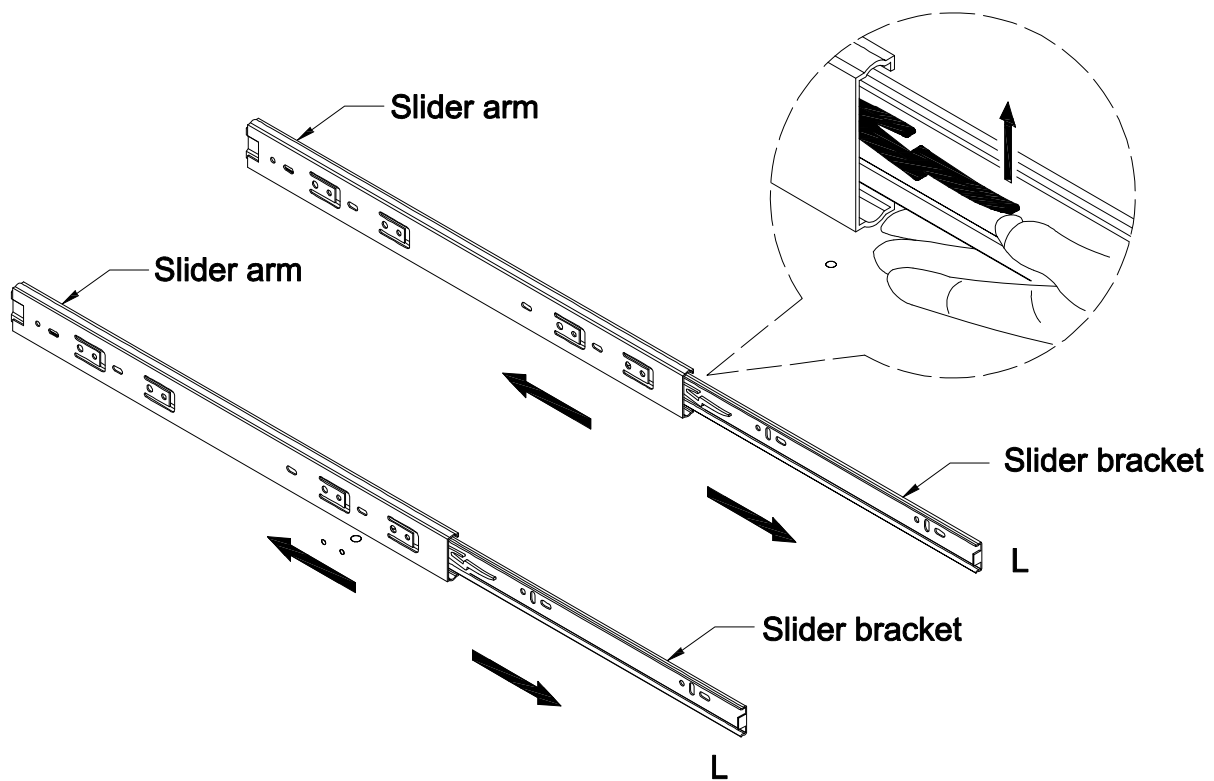
A		Ø8x30mm	Wooden dowel	20 pcs
B		Ø6x35mm	Cam bolt	20 pcs
C		Ø15x11mm	Cam lock	20 pcs
D			Sticker	20 pcs
E		Ø6x50mm	Screw	8 pcs
F			Hinge	4 pcs
G		4mm	Allen Key	1 pcs
H			Glue tube	1 pcs
I			Handle	4 pcs
J		Ø4x30mm	Screw	4 pcs
K		Ø3.5x14mm	Screw	32 pcs
L			Drawer slider	1 pcs
M			Plastic wedge	12 pcs
N		Ø3x18mm	Screw	12 pcs
O		Ø8x5x16mm	Shelf support pin	16 pcs
P			Hinge	2 pcs
Q		Ø4x18mm	Screw	8 pcs
R		Ø1/4"x30mm	Bolt	8 pcs



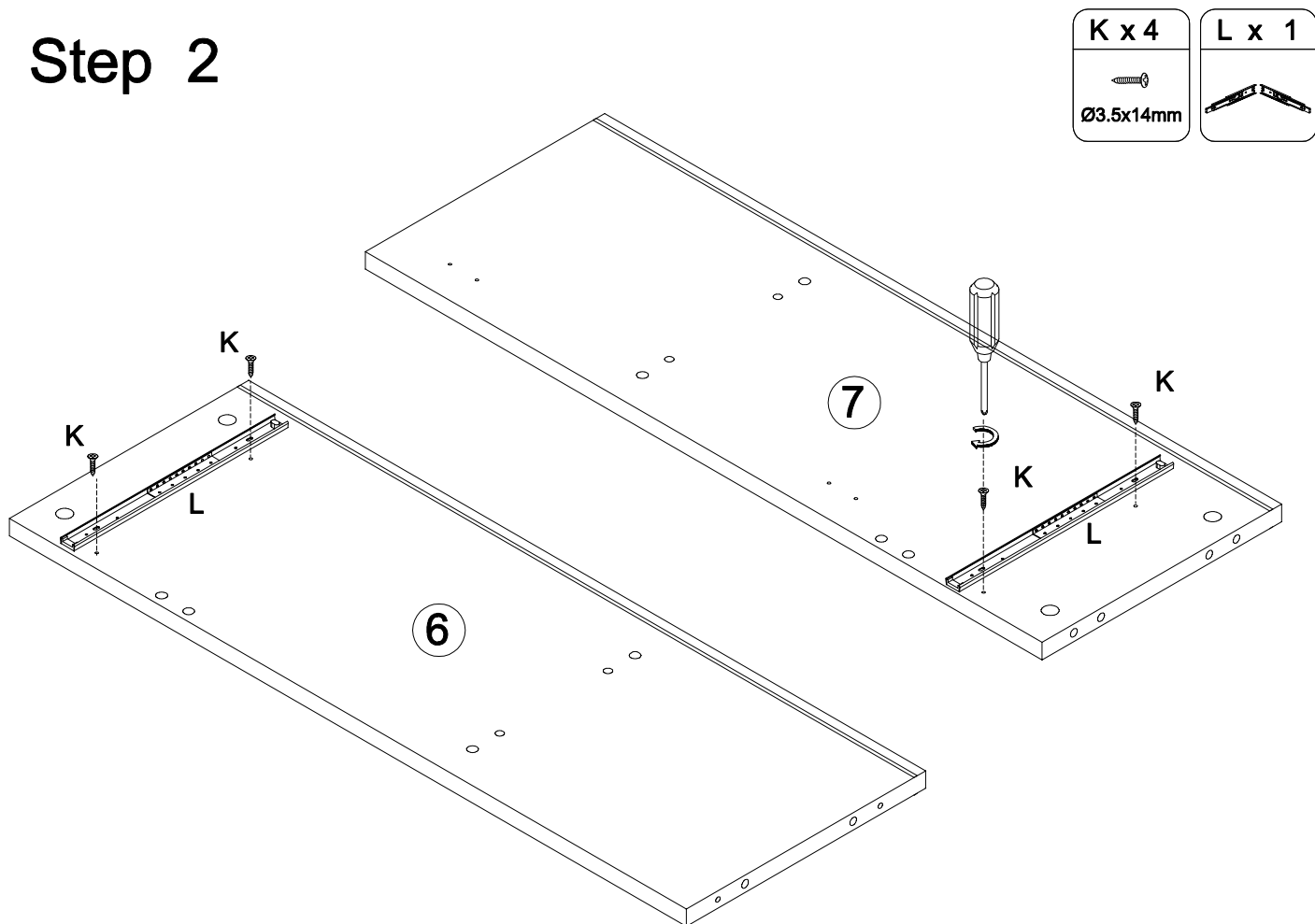
Philips head screwdriver required for assembly  
(not included)

*The hardware quantities listed above are required for proper assembly.  
Some extra hardware may also have been included.*

# Step 1



# Step 2

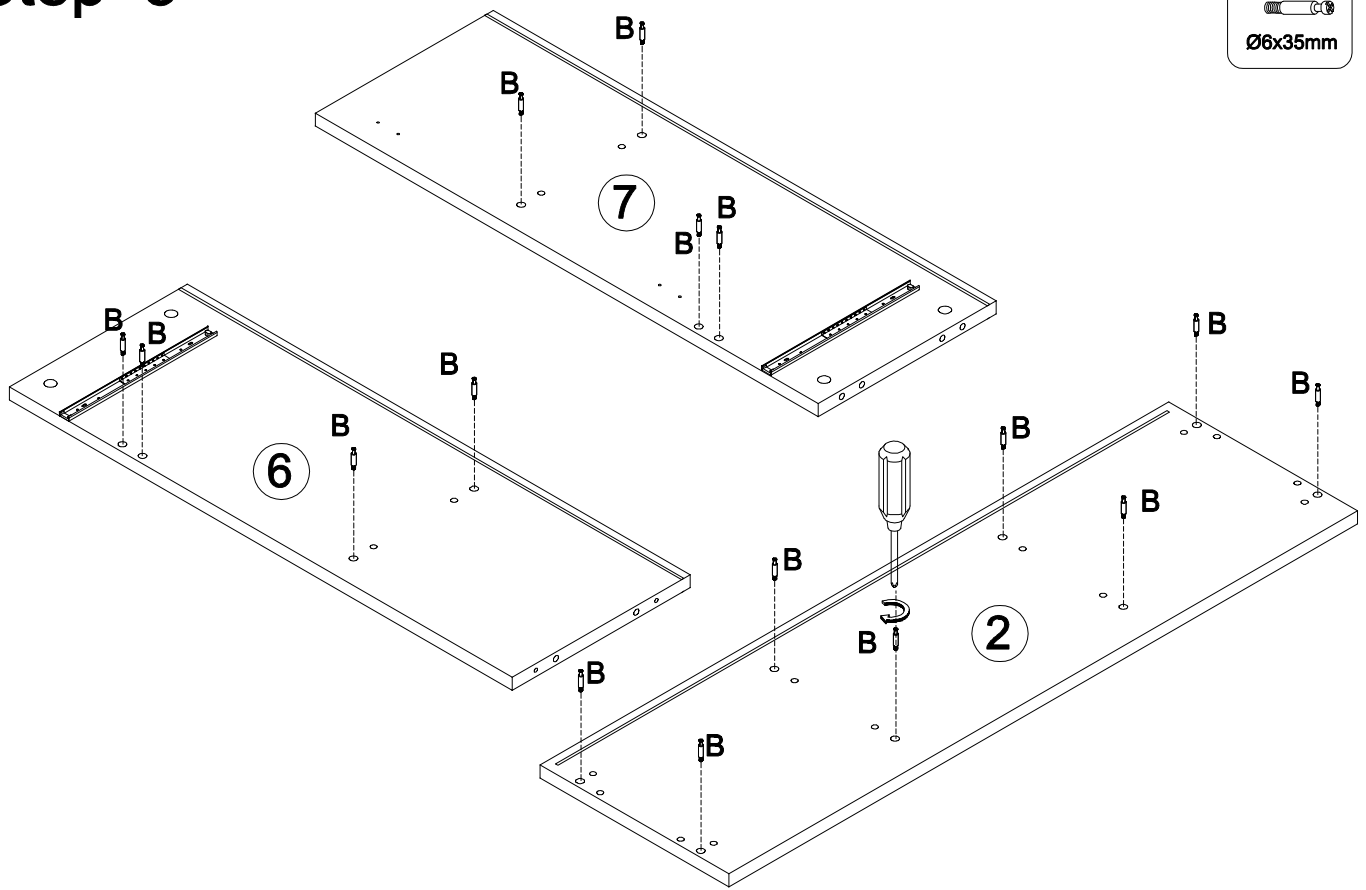


# Step 3

**B x 16**




**Ø6x35mm**




# Step 4

**A x 4**

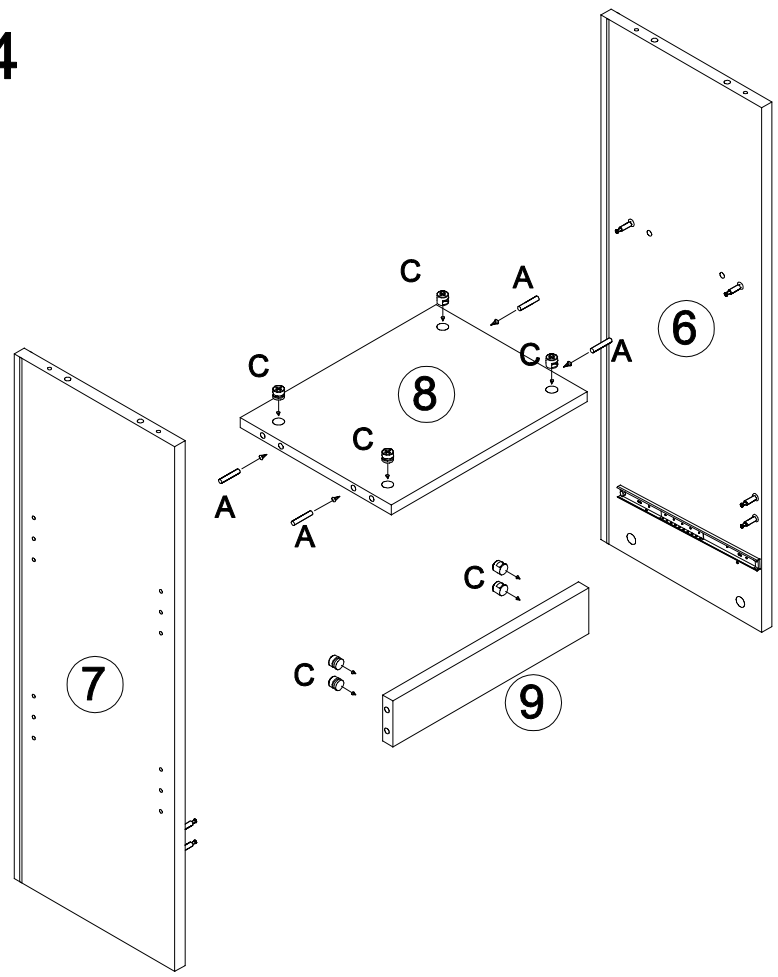


**Ø8x30mm**



**C x 8**

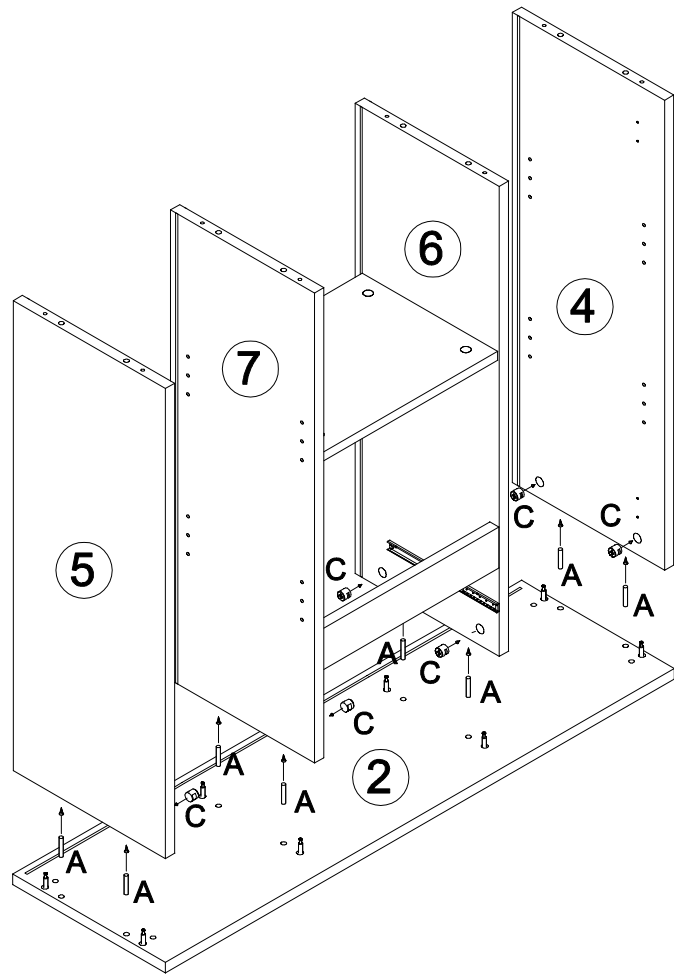


**Ø15x11mm**

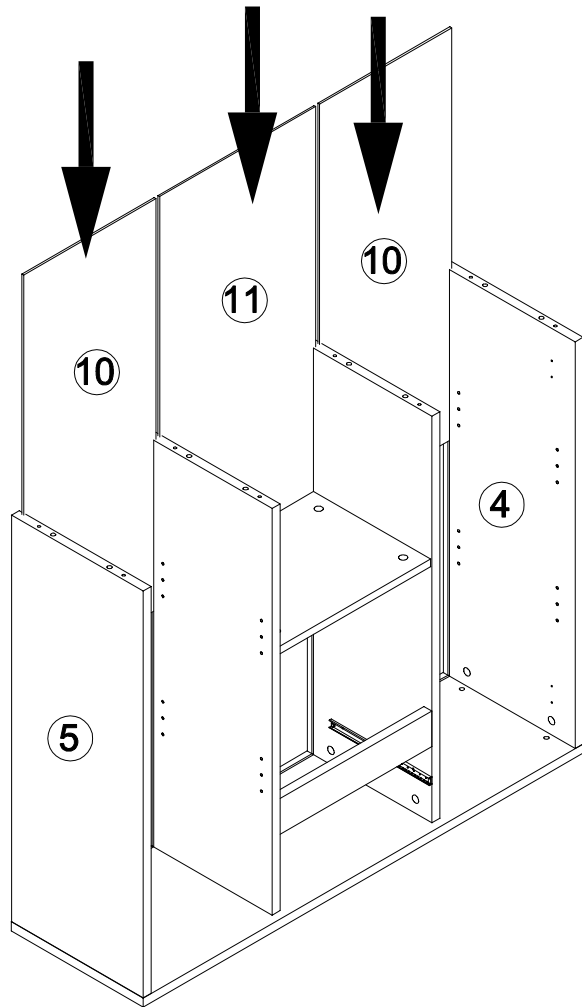


# Step 5

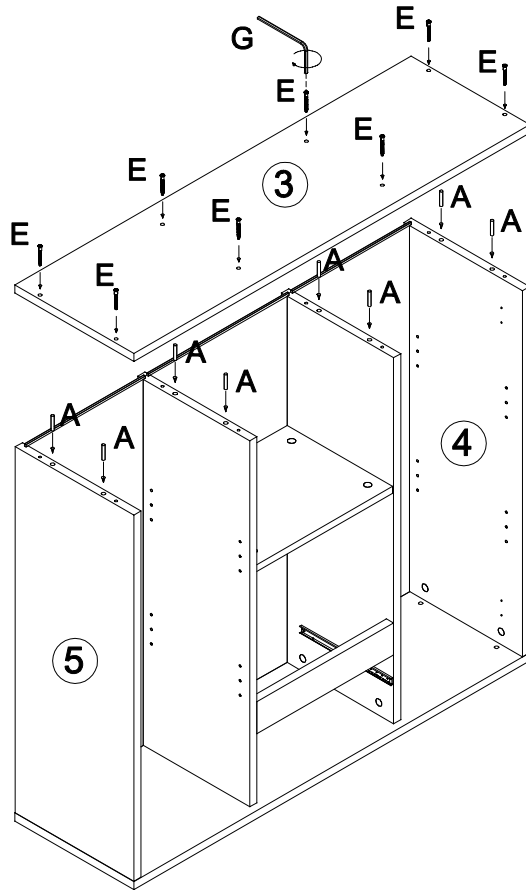
A x 8	C x 8
	
Ø8x30mm	Ø15x11mm




# Step 6




# Step 7

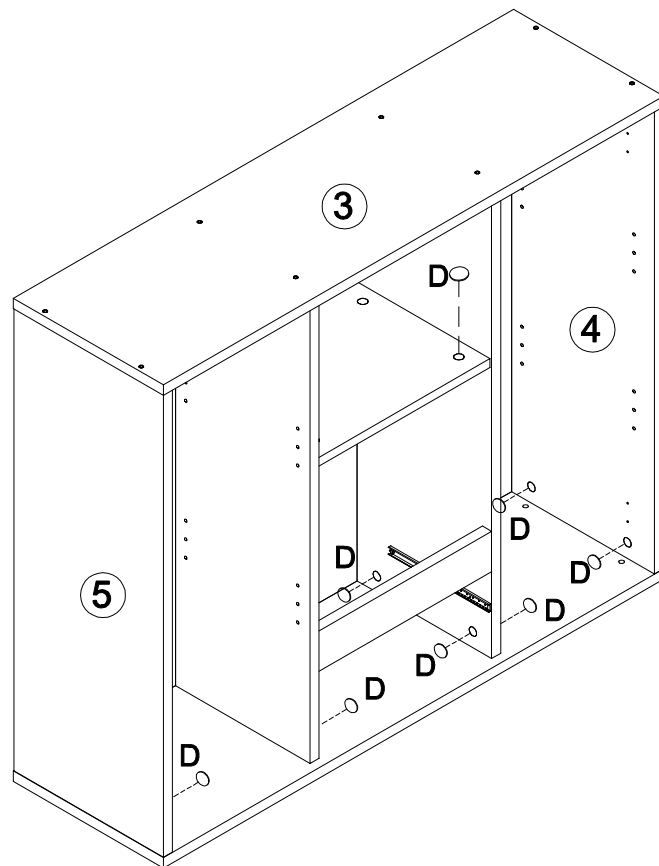



A x 8  
  
Ø8x30mm

E x 8  
  
Ø6x50mm

G x 1  
  
4mm

# Step 8



D x 16  


# Step 9

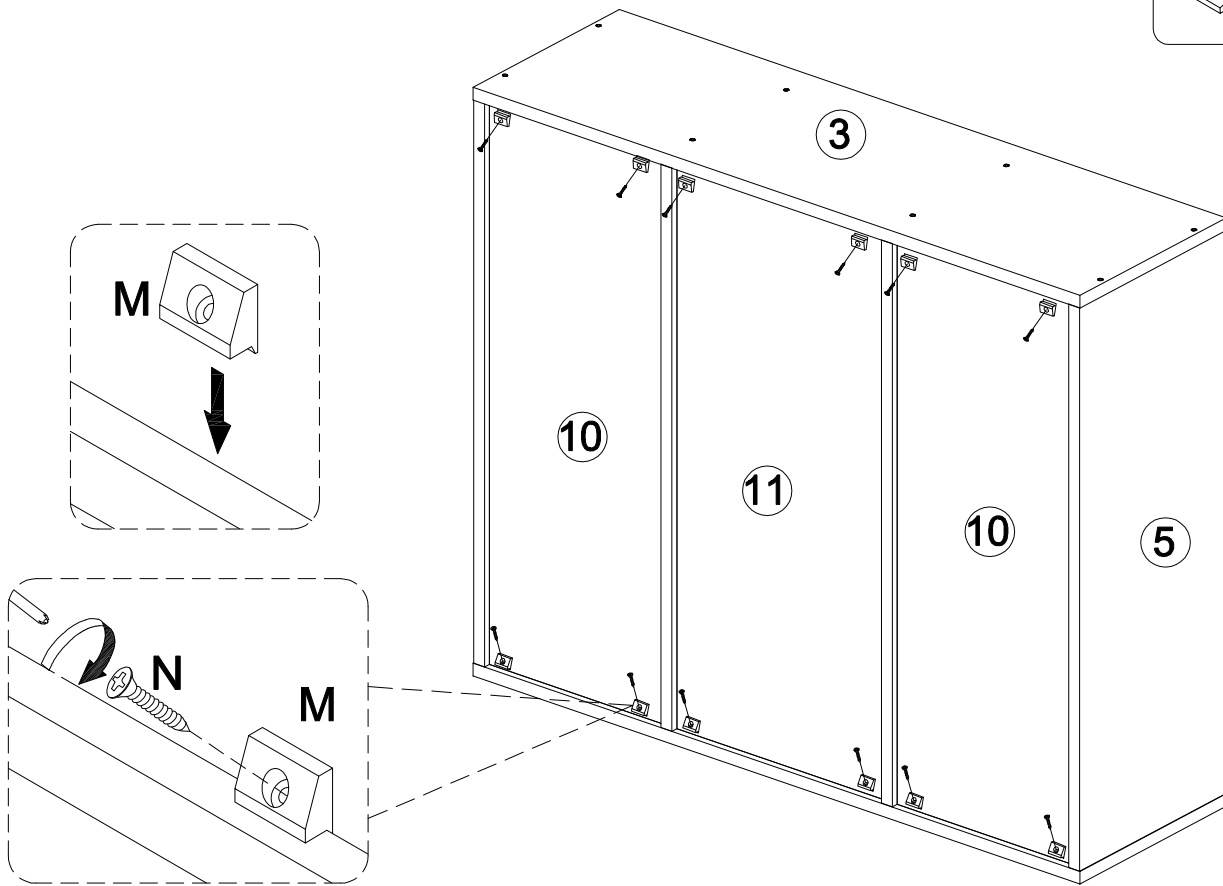
M x 12



N x 12



Ø3x18mm



# Step 10

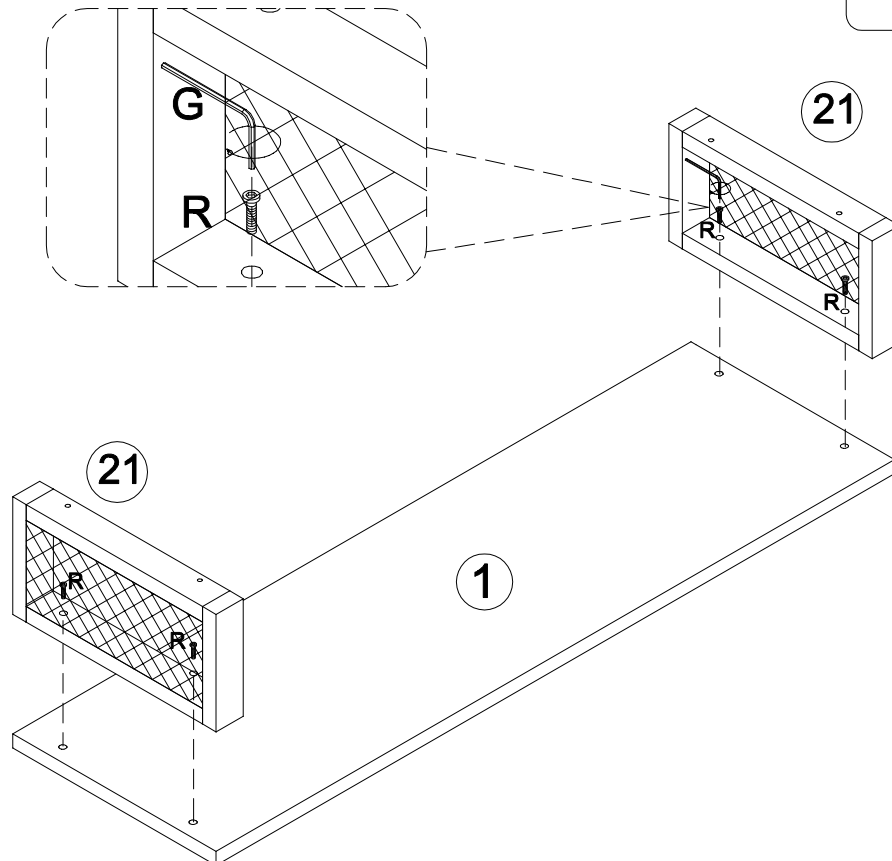
G x 1





R x 4

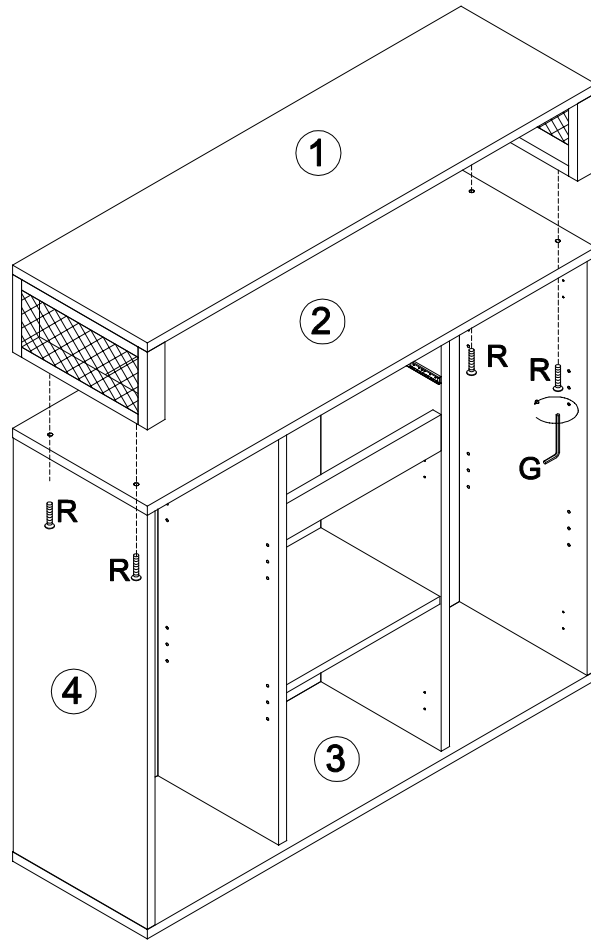


Ø1/4"x30mm

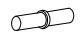


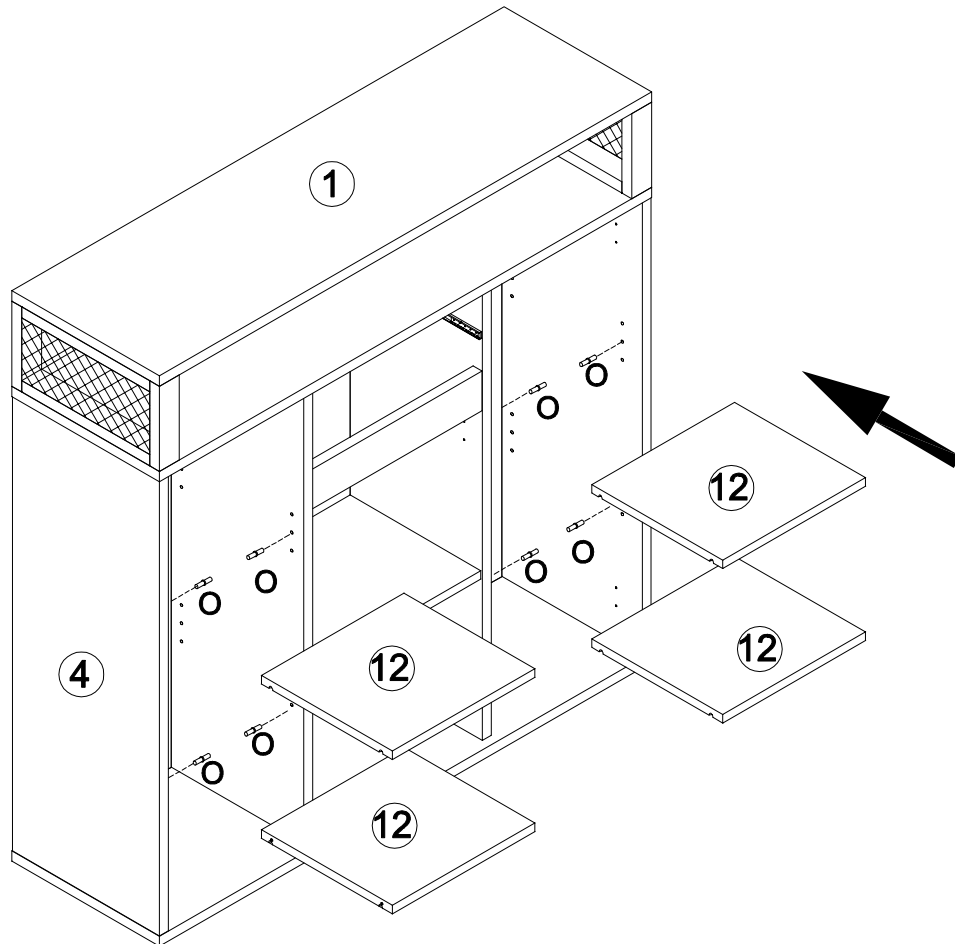
# Step 11

<b>G x 1</b>	<b>R x 4</b>
	
	<b>Ø1/4"x30mm</b>

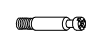
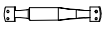



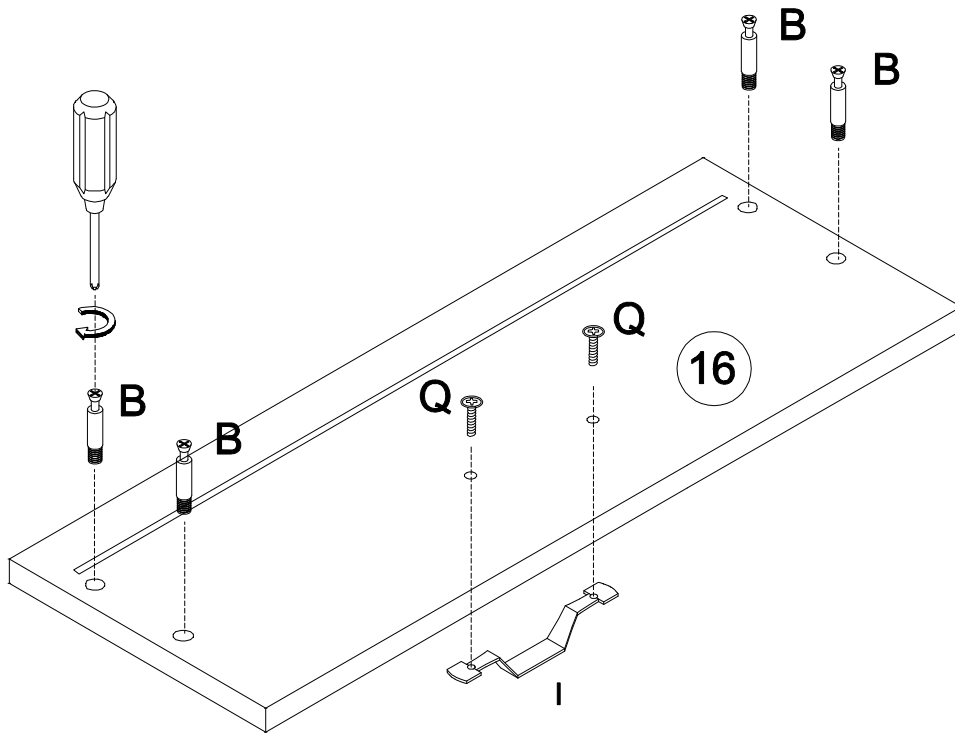
# Step 12

<b>O x 16</b>





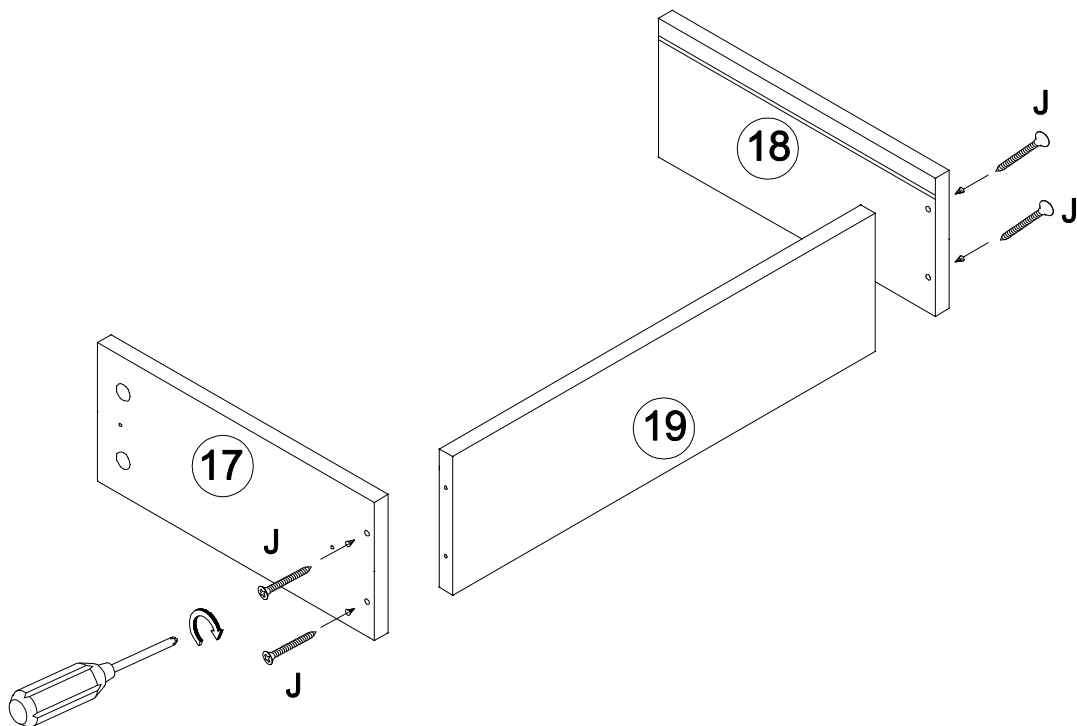
# Step 13

<b>B x 4</b>  Ø6x35mm	<b>I x 1</b> 	<b>Q x 2</b>  Ø4x18mm
--	---	--

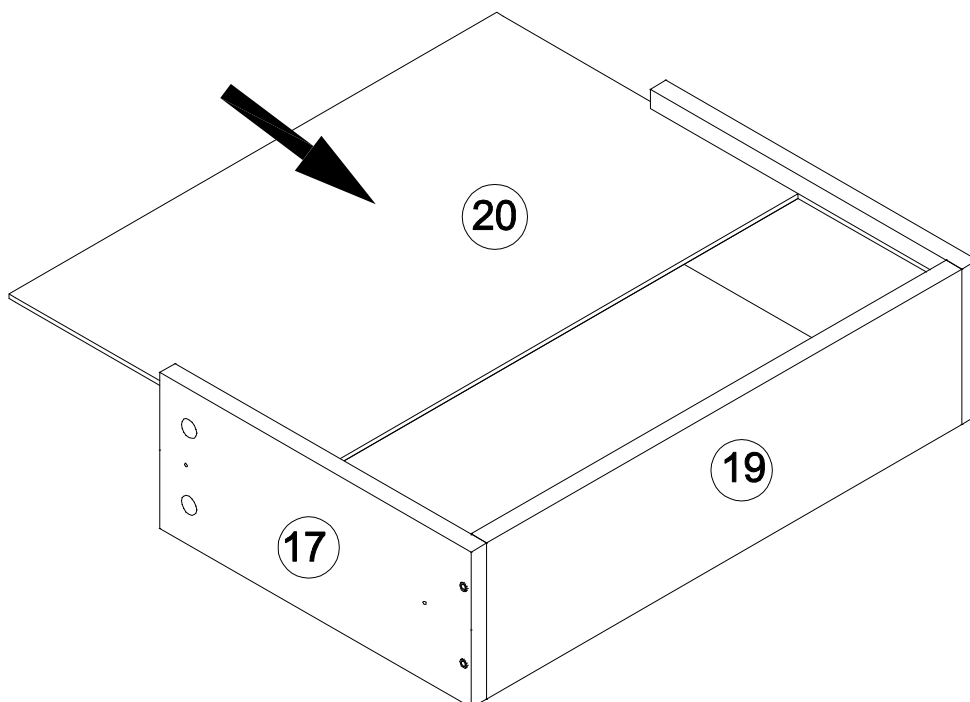


# Step 14

<b>J x 4</b>  Ø4x30mm
--

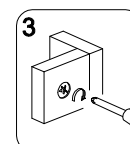
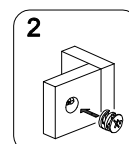
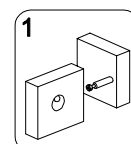
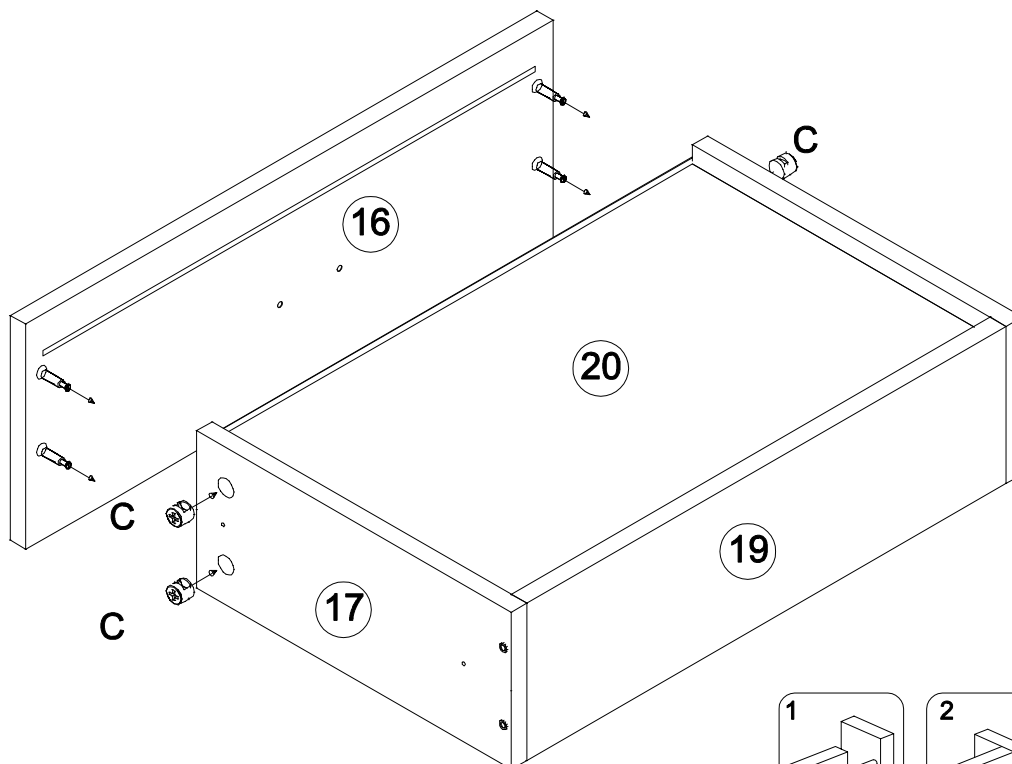


# Step 15





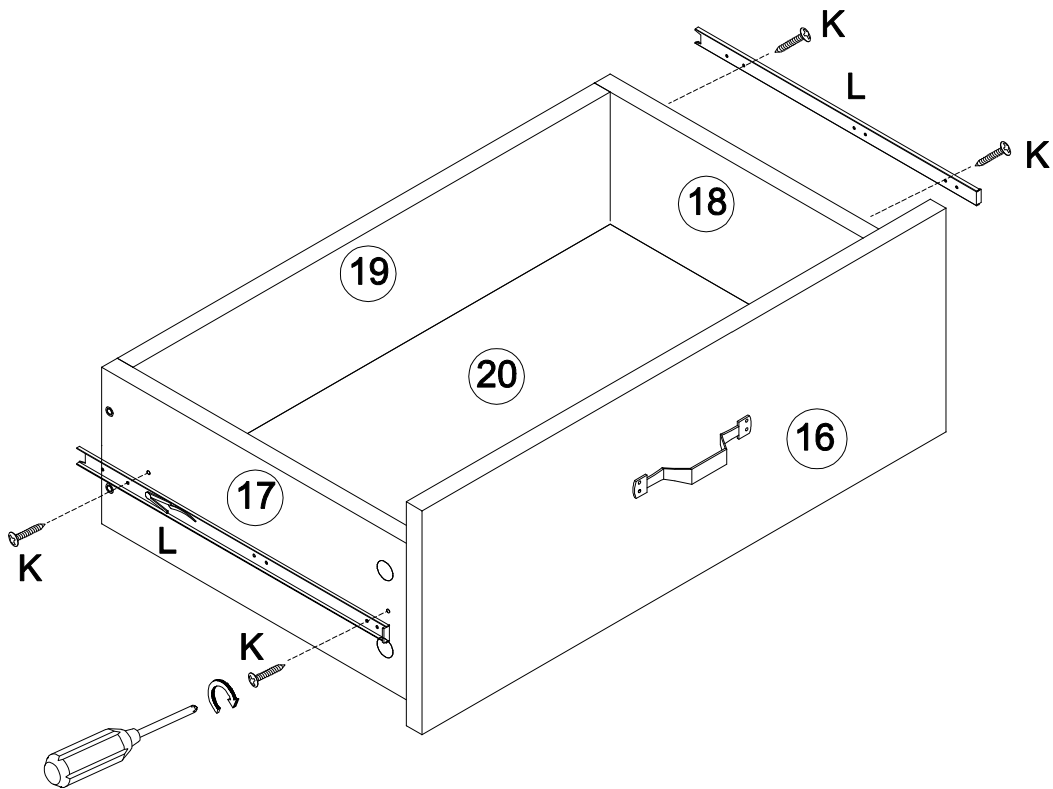
# Step 16

C x 4




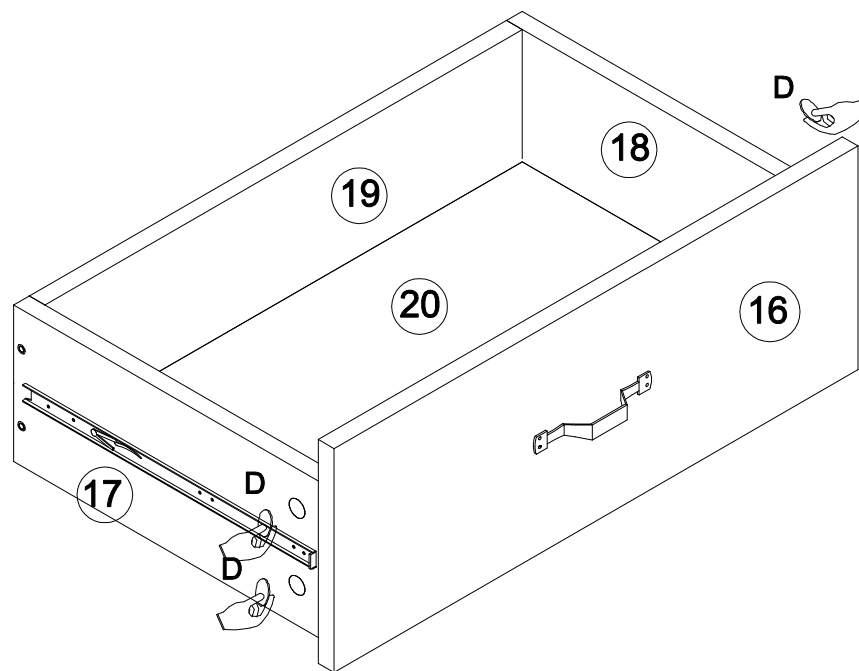
# Step 17

<b>K x 4</b>  Ø3.5x14mm	<b>L x 1</b> 
--	---

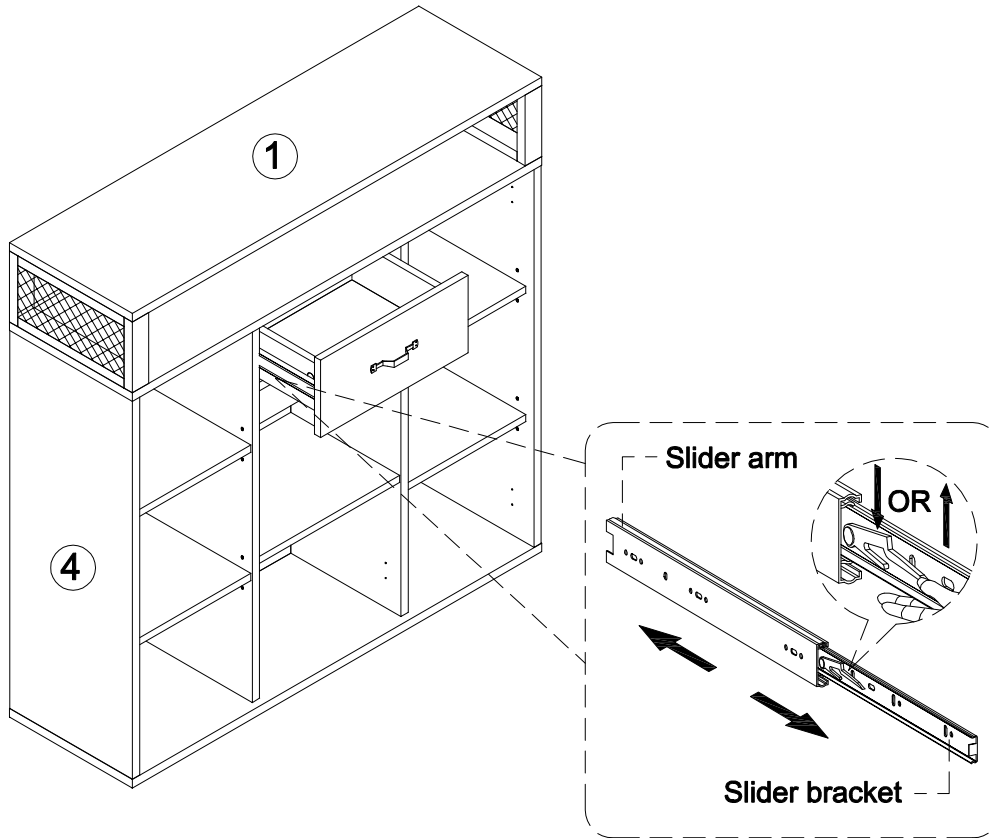


# Step 18

<b>D x 4</b> 
---

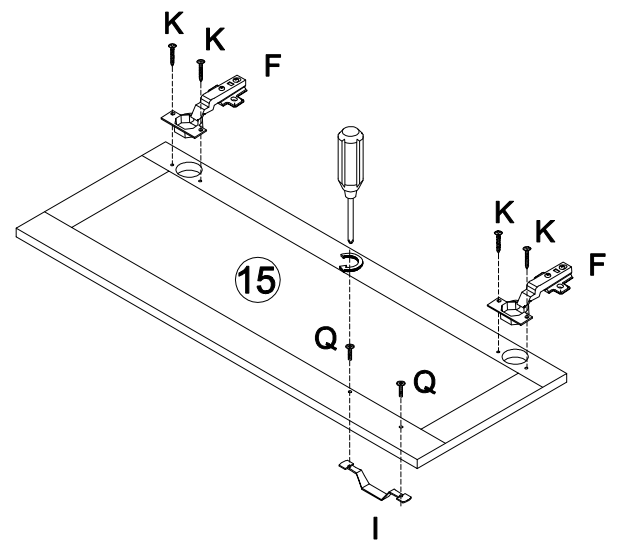
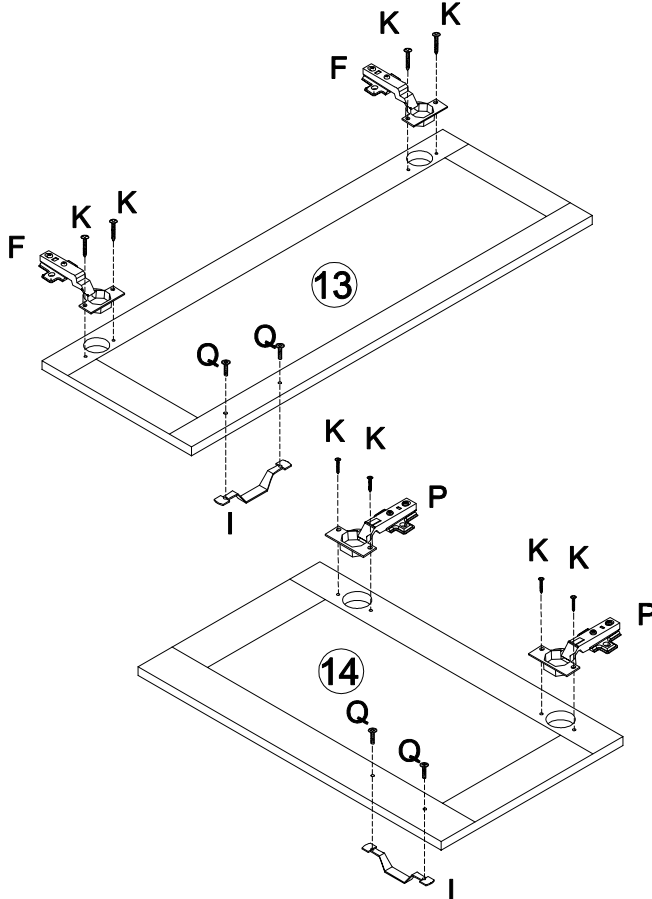


# Step 19

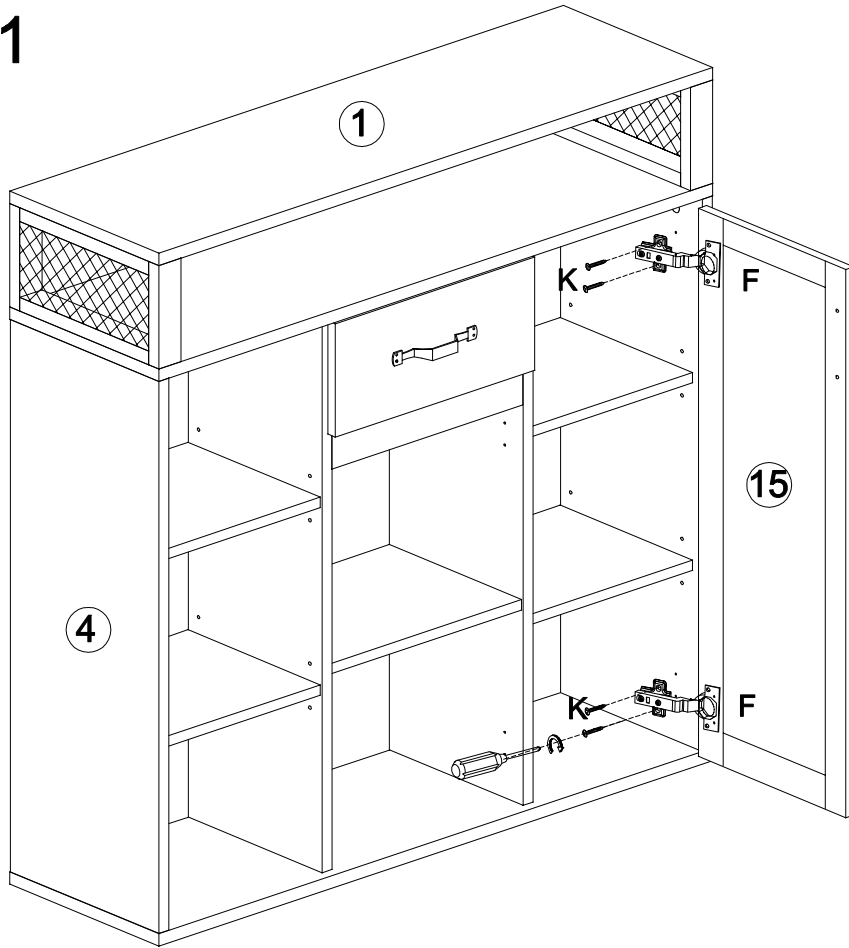




# Step 20

F x 4	I x 3	K x 12	P x 2	Q x 6
		Ø3.5x14mm		Ø4x18mm

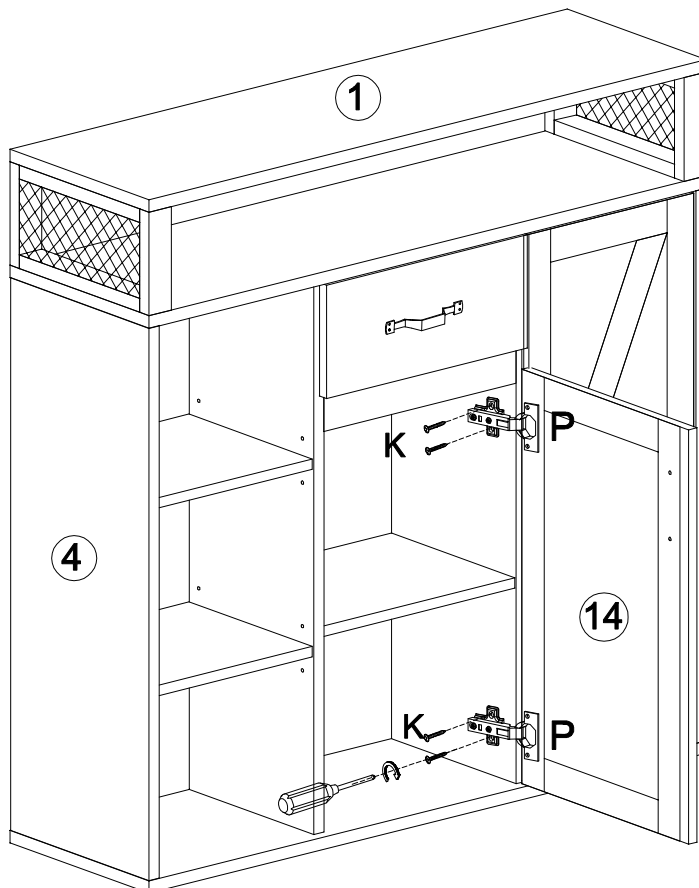


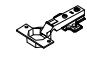

# Step 21





F x 2	K x 4
	
	Ø3.5x14mm

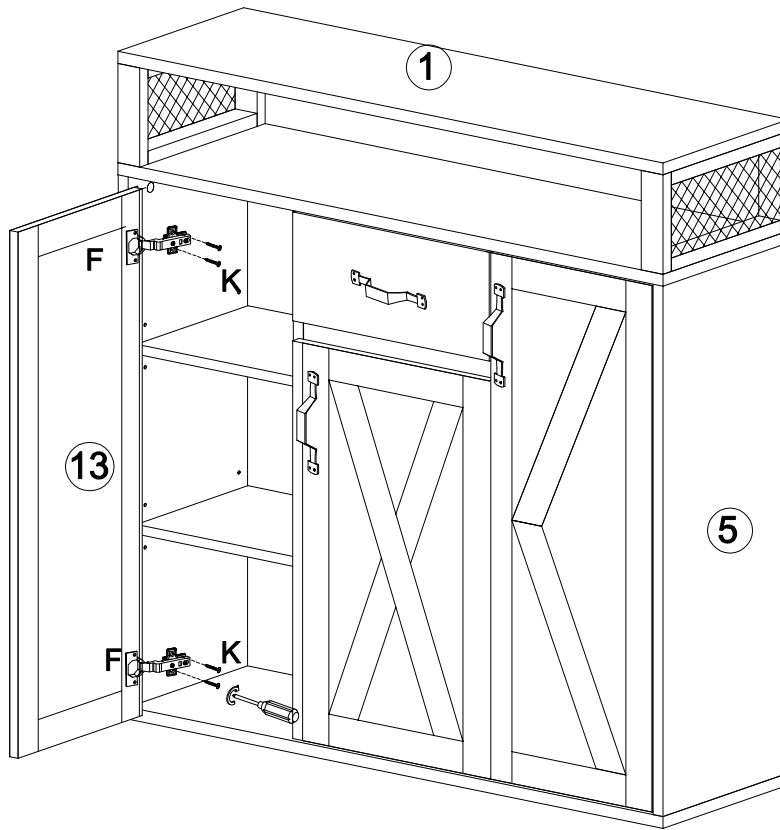
# Step 22



P x 2	K x 4
	
	Ø3.5x14mm

# Step 23

<b>F x 2</b>	<b>K x 4</b>
	
	Ø3.5x14mm



# Step 24

