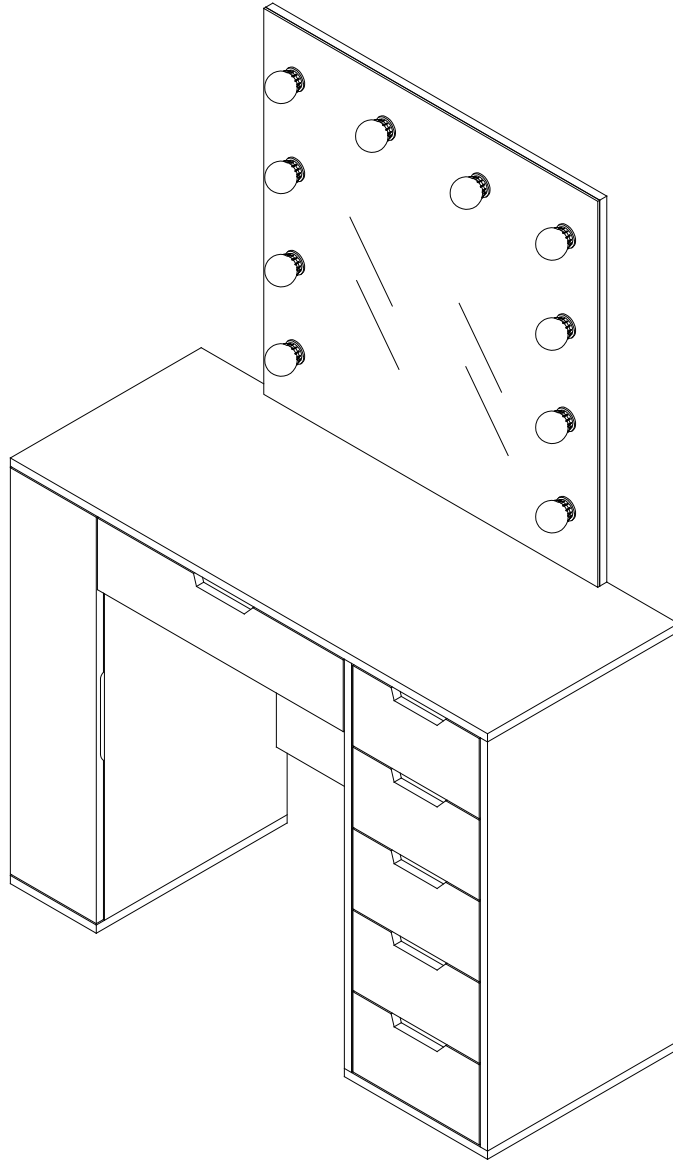
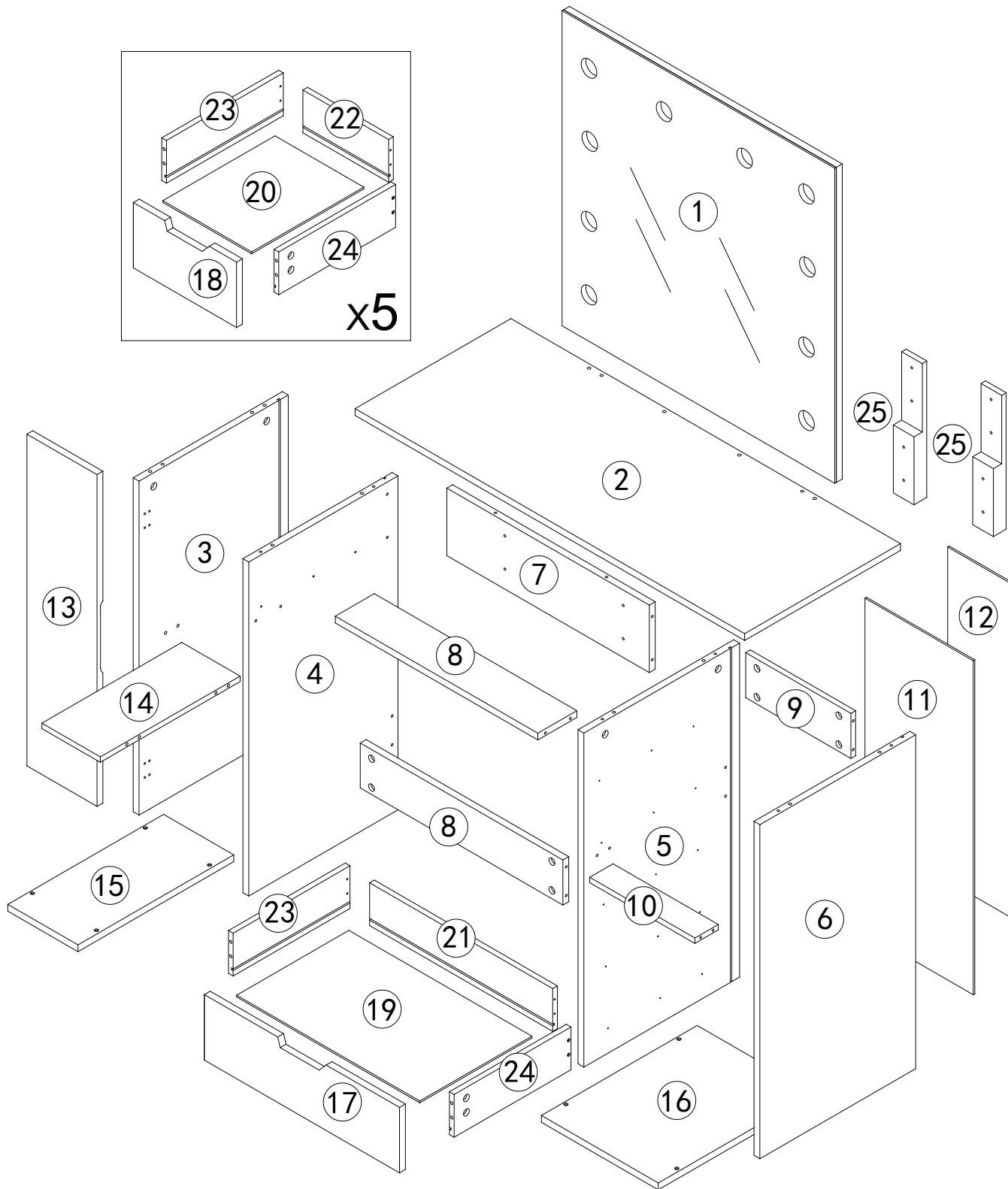
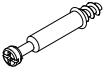

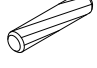


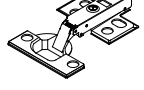



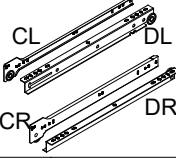


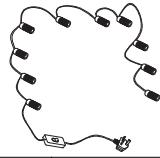




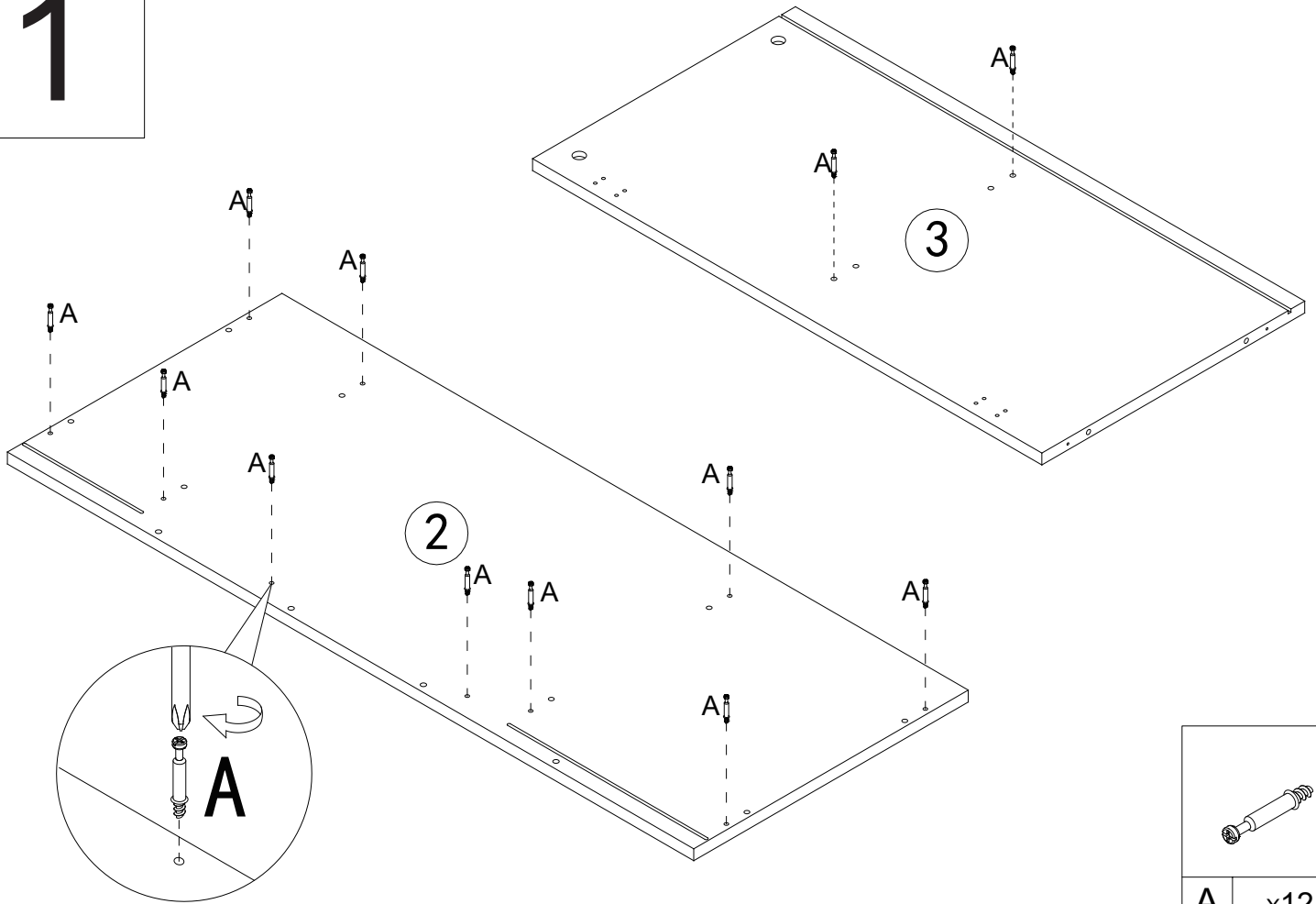
Assembly Instruction

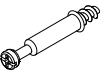




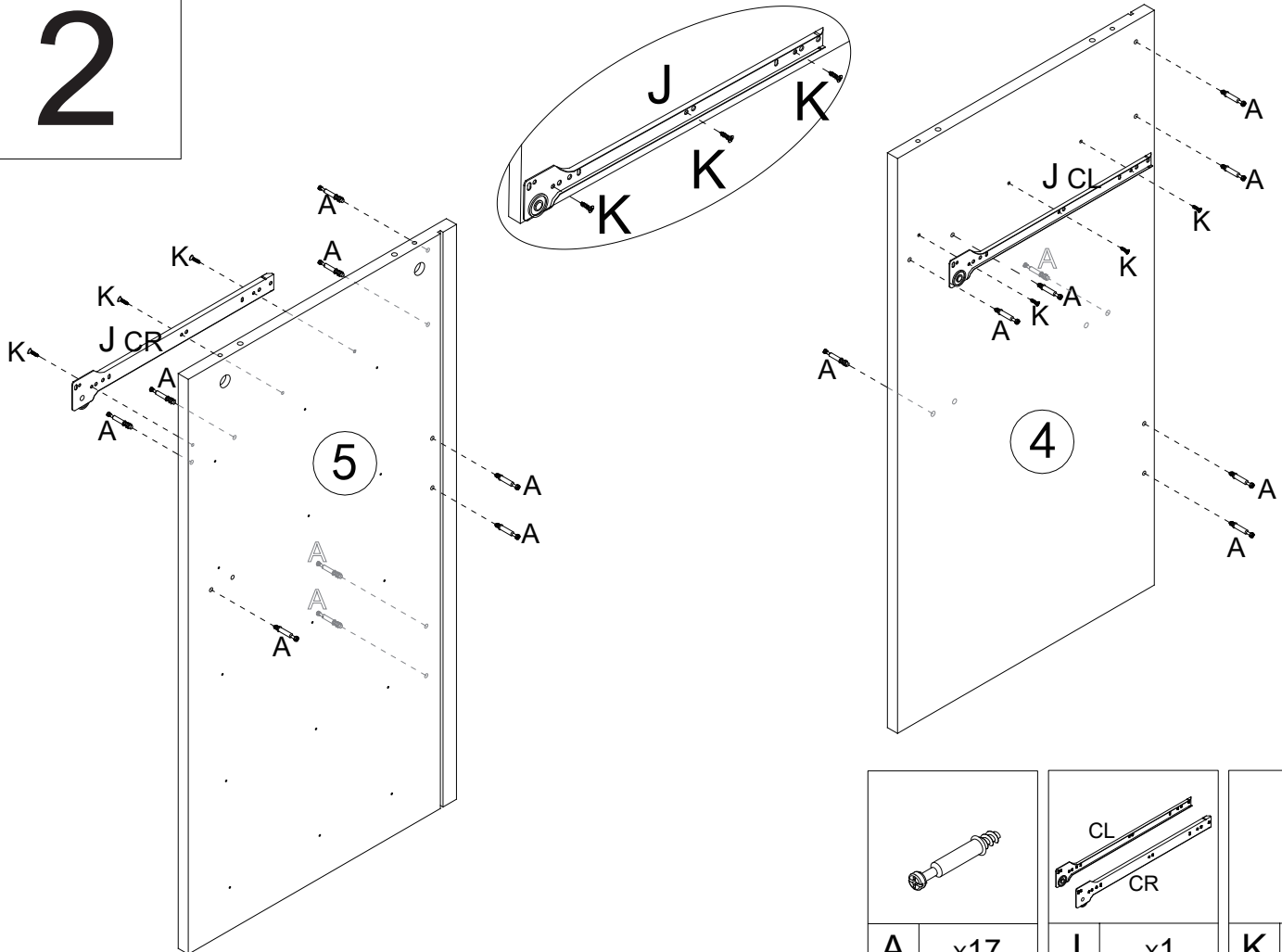
							
A x56	B x56	C x24	D x36	E x12	F x2	G x4	H x4
							
I x1	J x6	K x72	L x10	M x1	N x20	O x4	

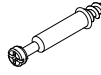
1

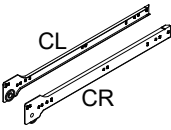



	
A	x12

2

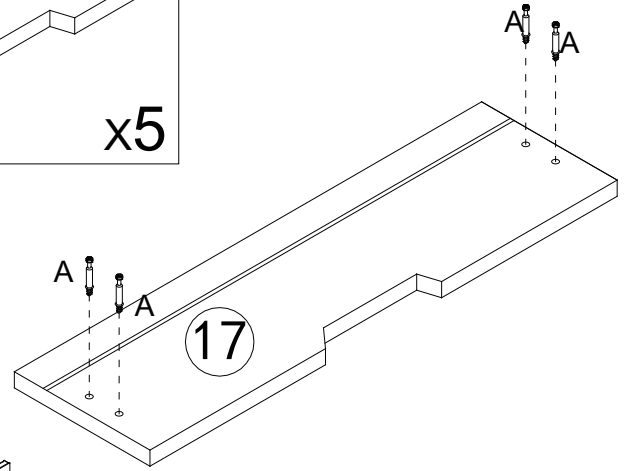
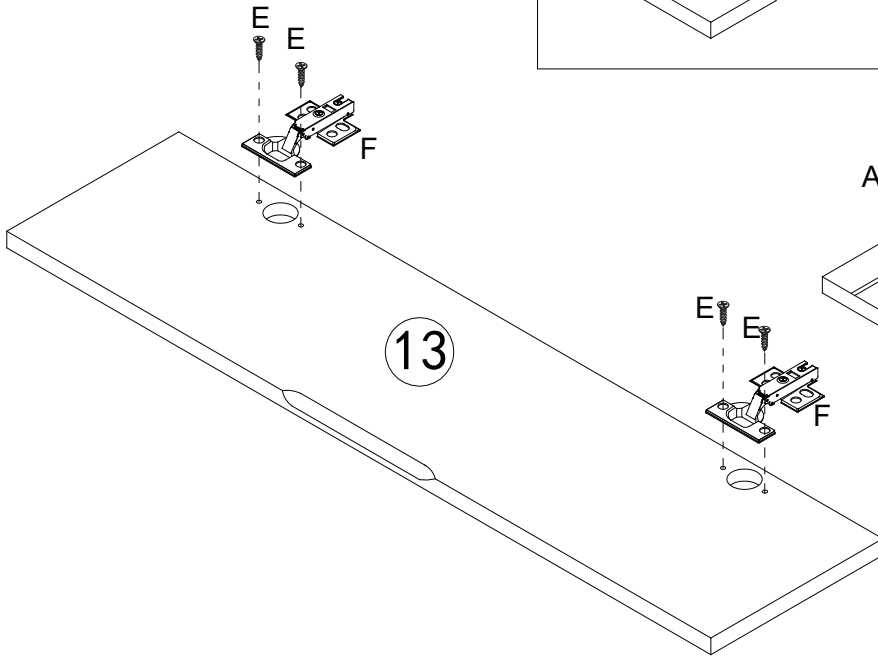
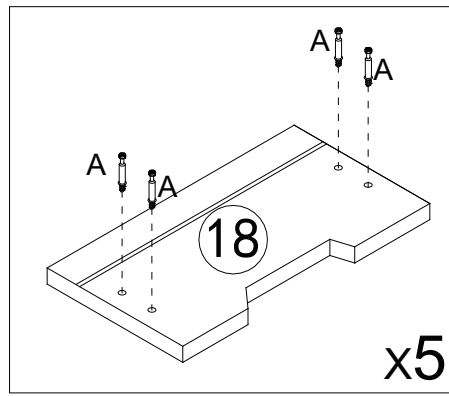


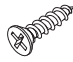
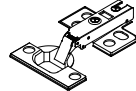
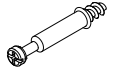
	
A	x17

	
J	x1

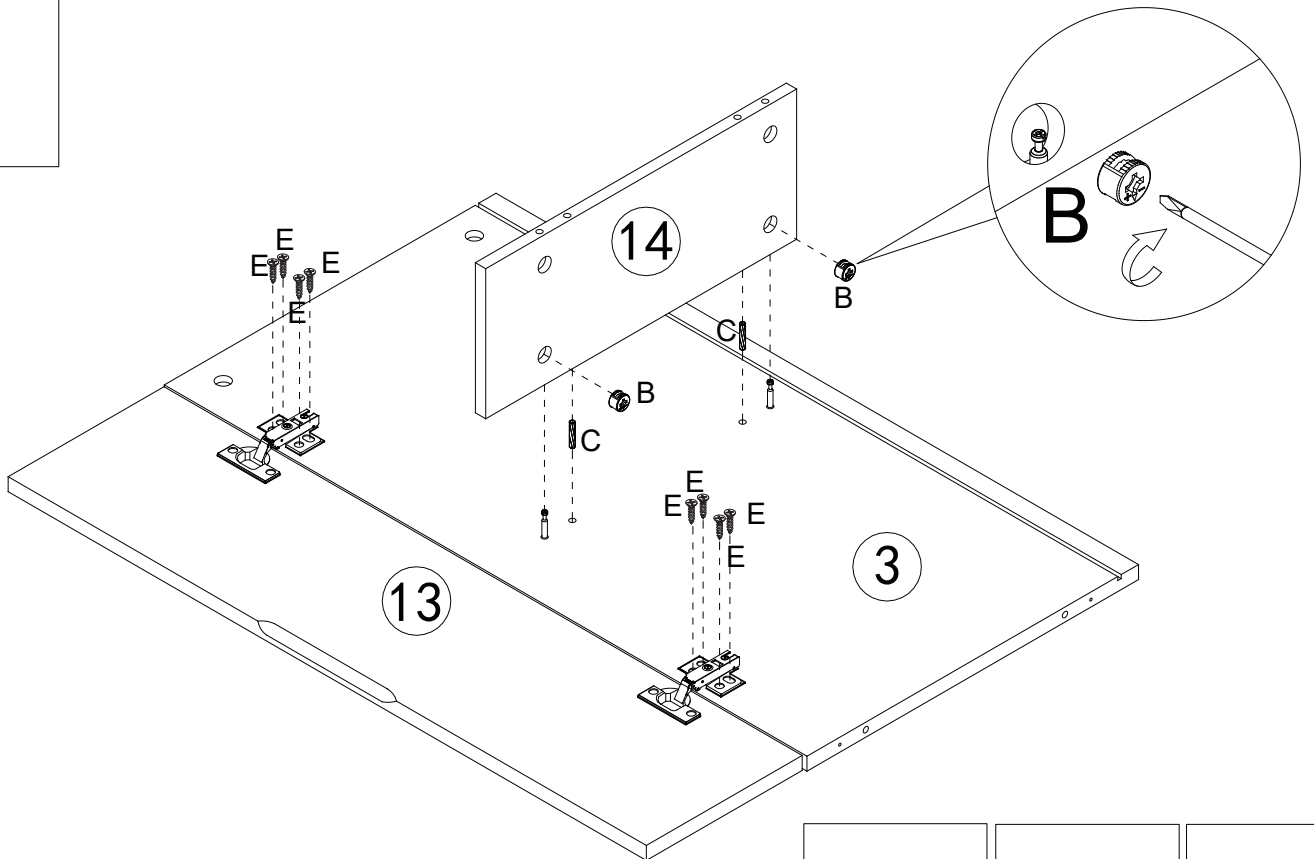
	
K	x6



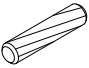
3



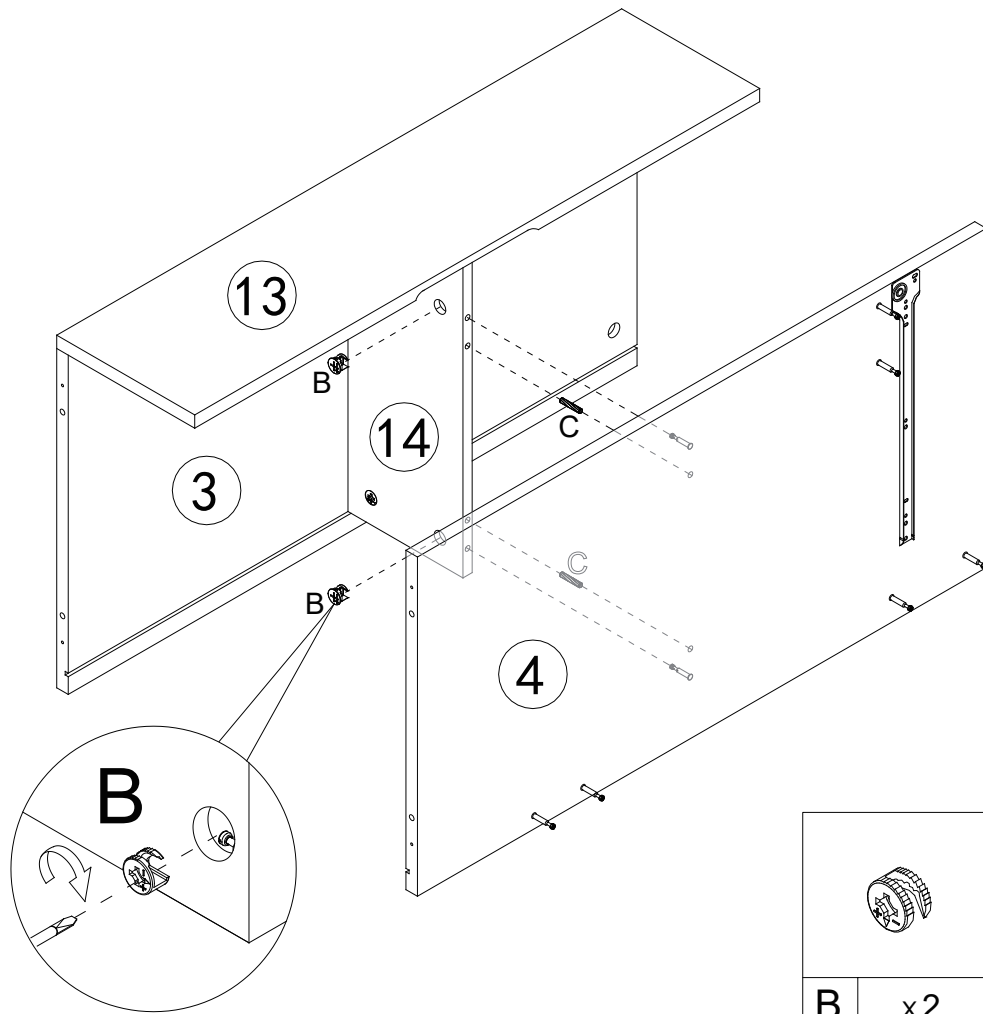
		
M4x14		
E	x4	F
		x2
		A
		x24


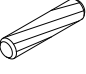
4



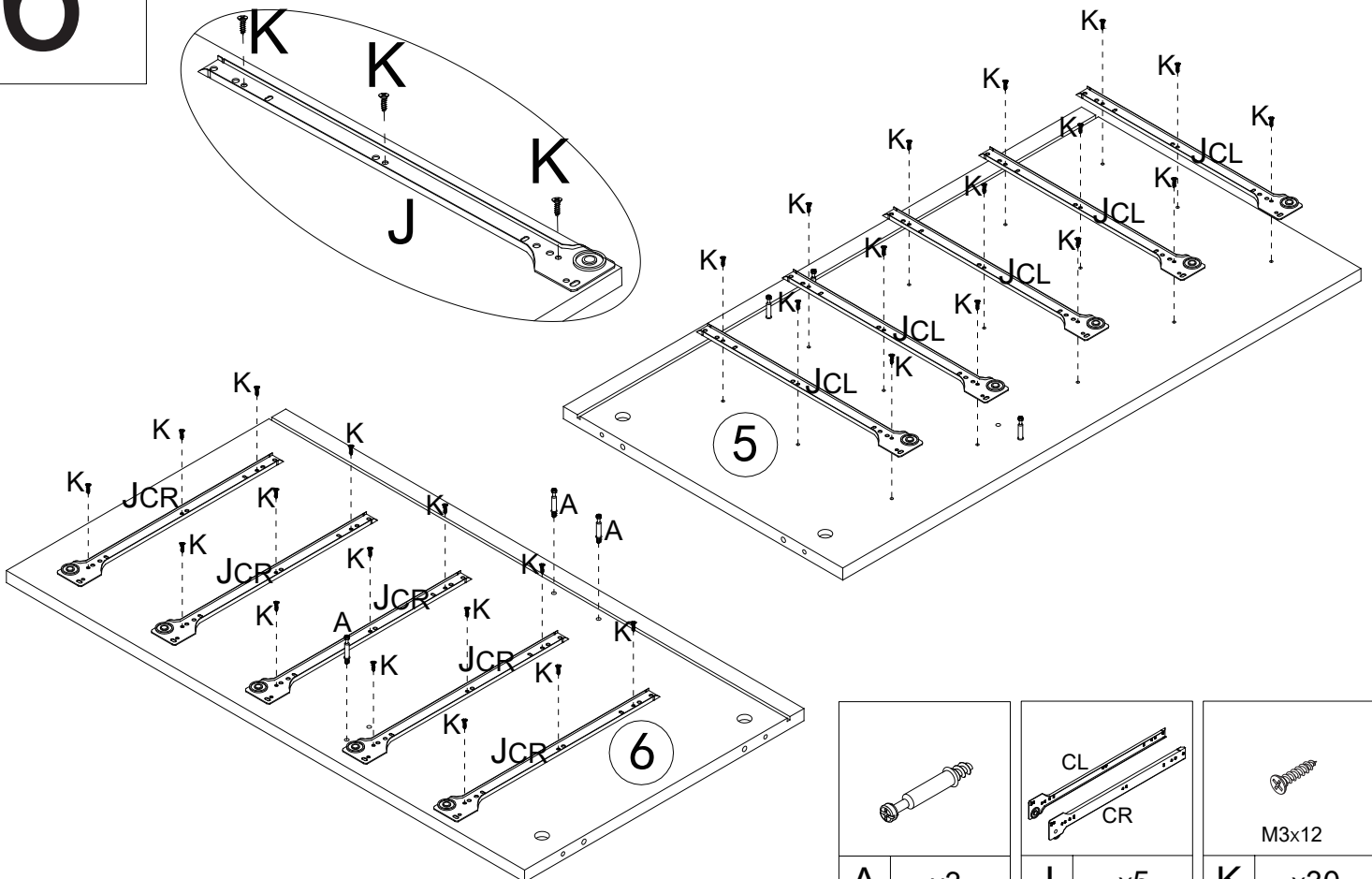
		
M4x14		Ø6x30
E	x8	B
		x2
		C
		x2

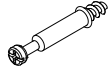
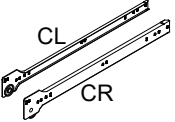

5



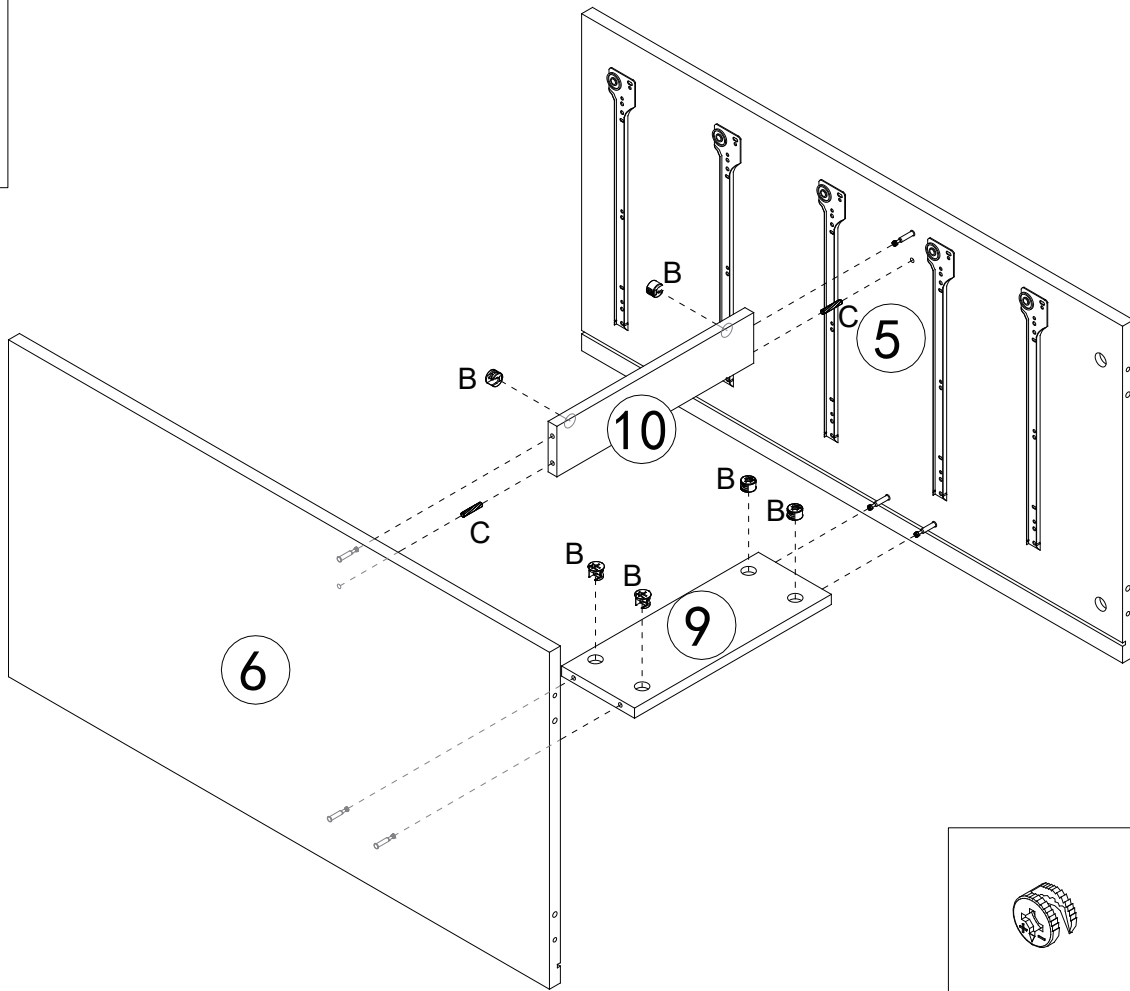
	
B	C
x2	x2


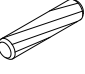
6



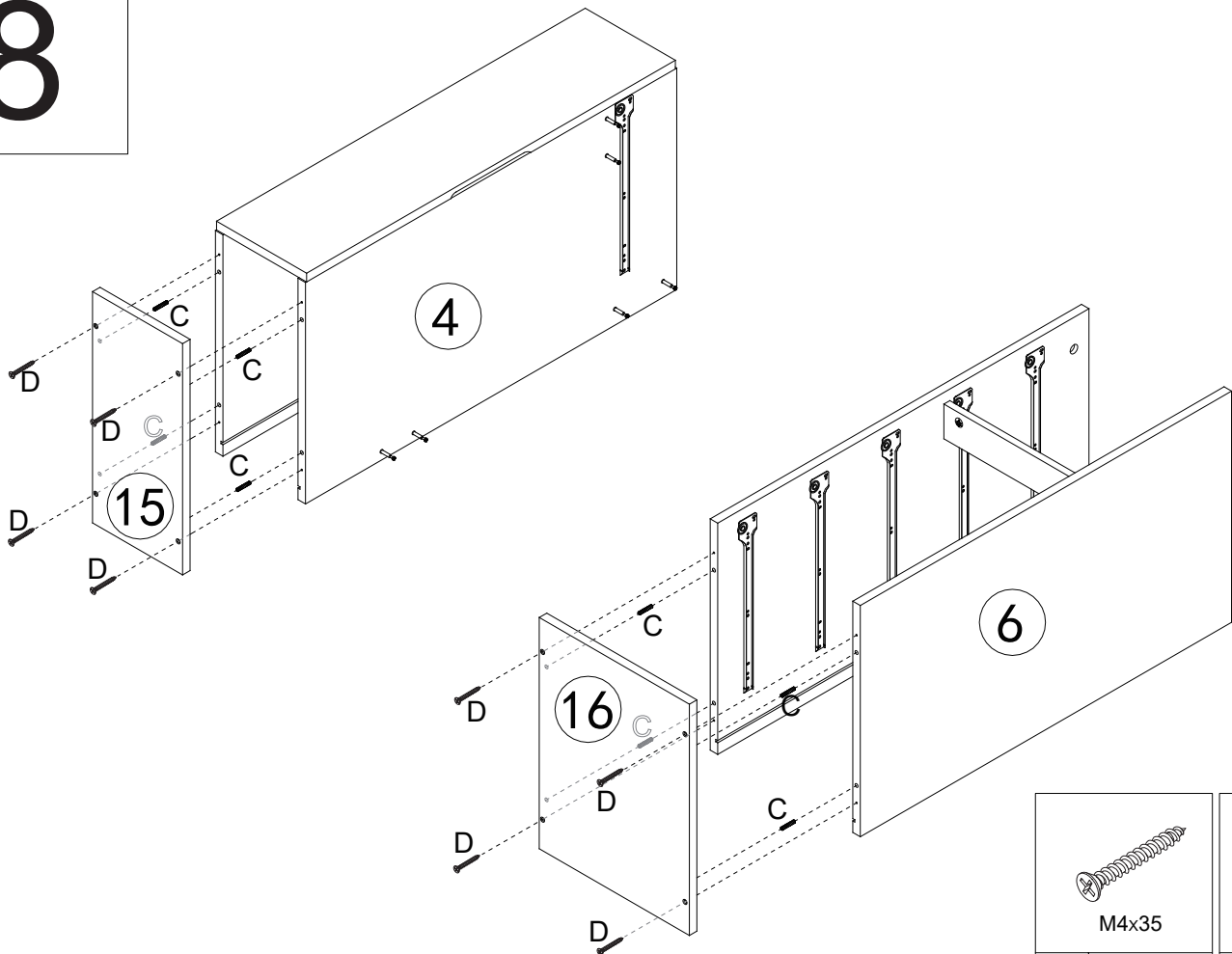
		
A	J	K
x3	x5	x30

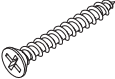
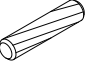
7



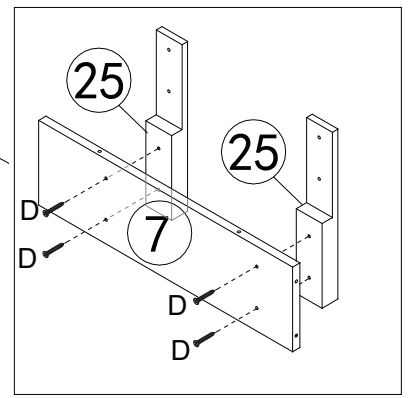
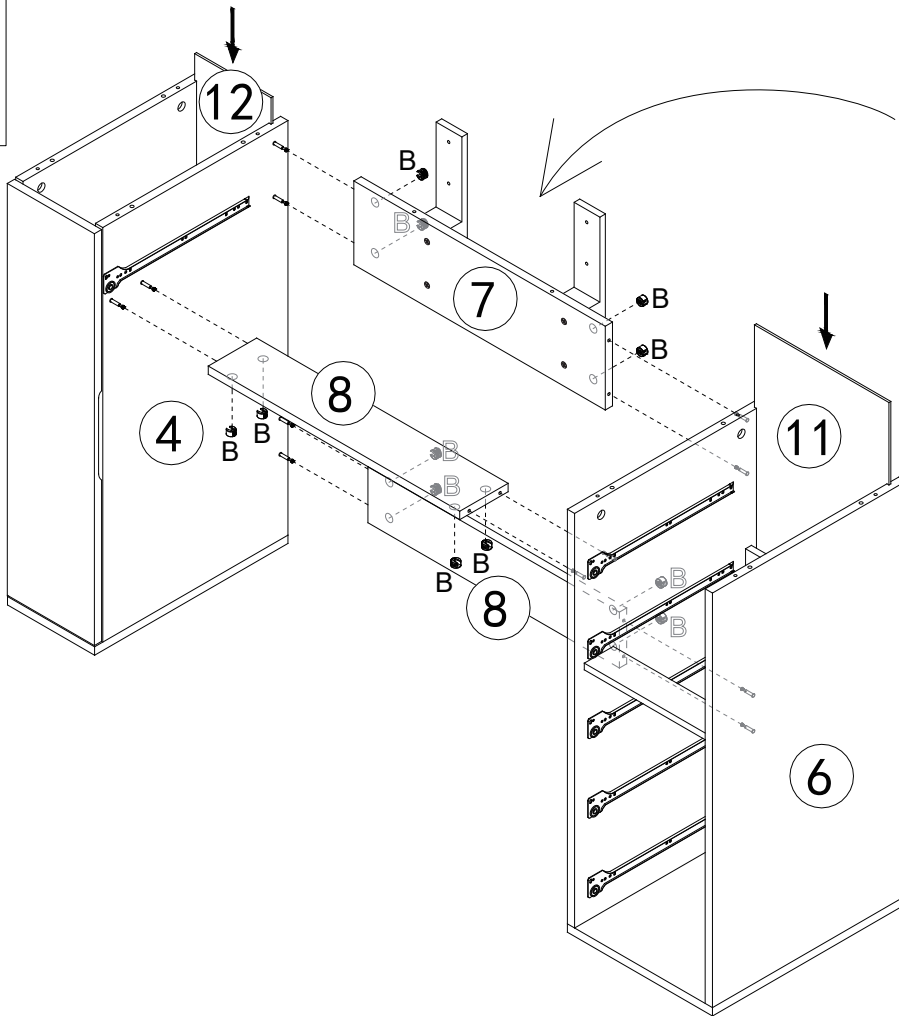
	
B	Ø6x30
x6	x2

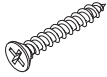

8



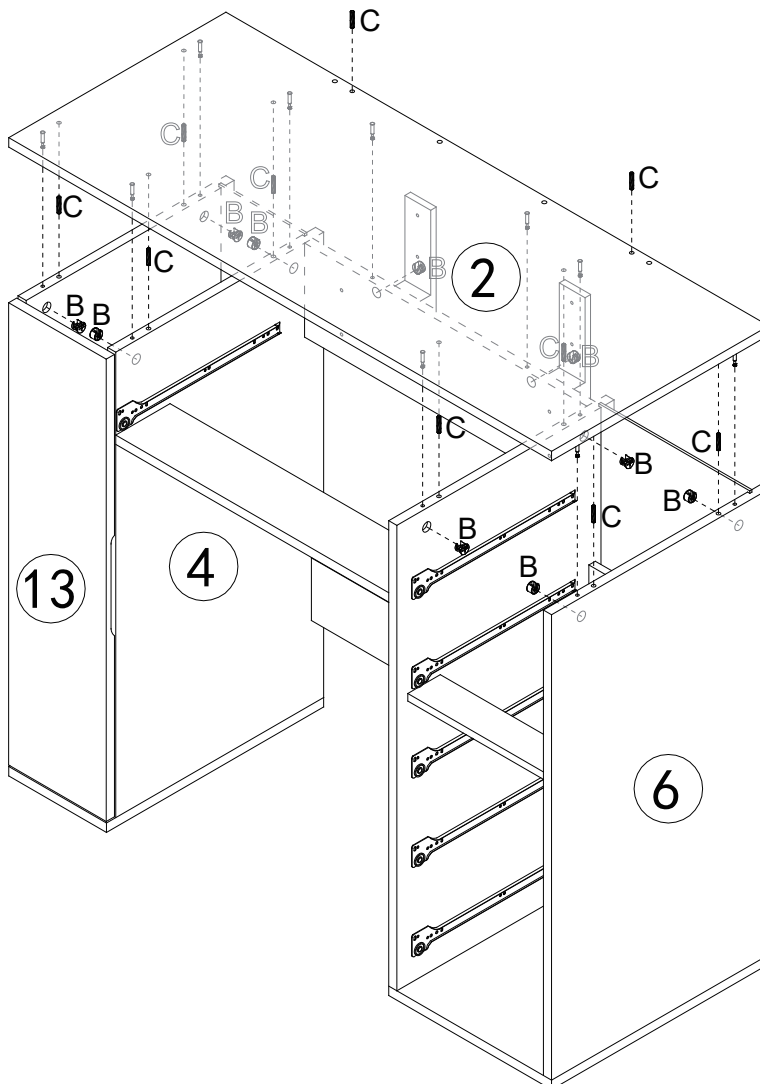
	
M4x35	Ø6x30
D	C
x8	x8


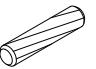
9



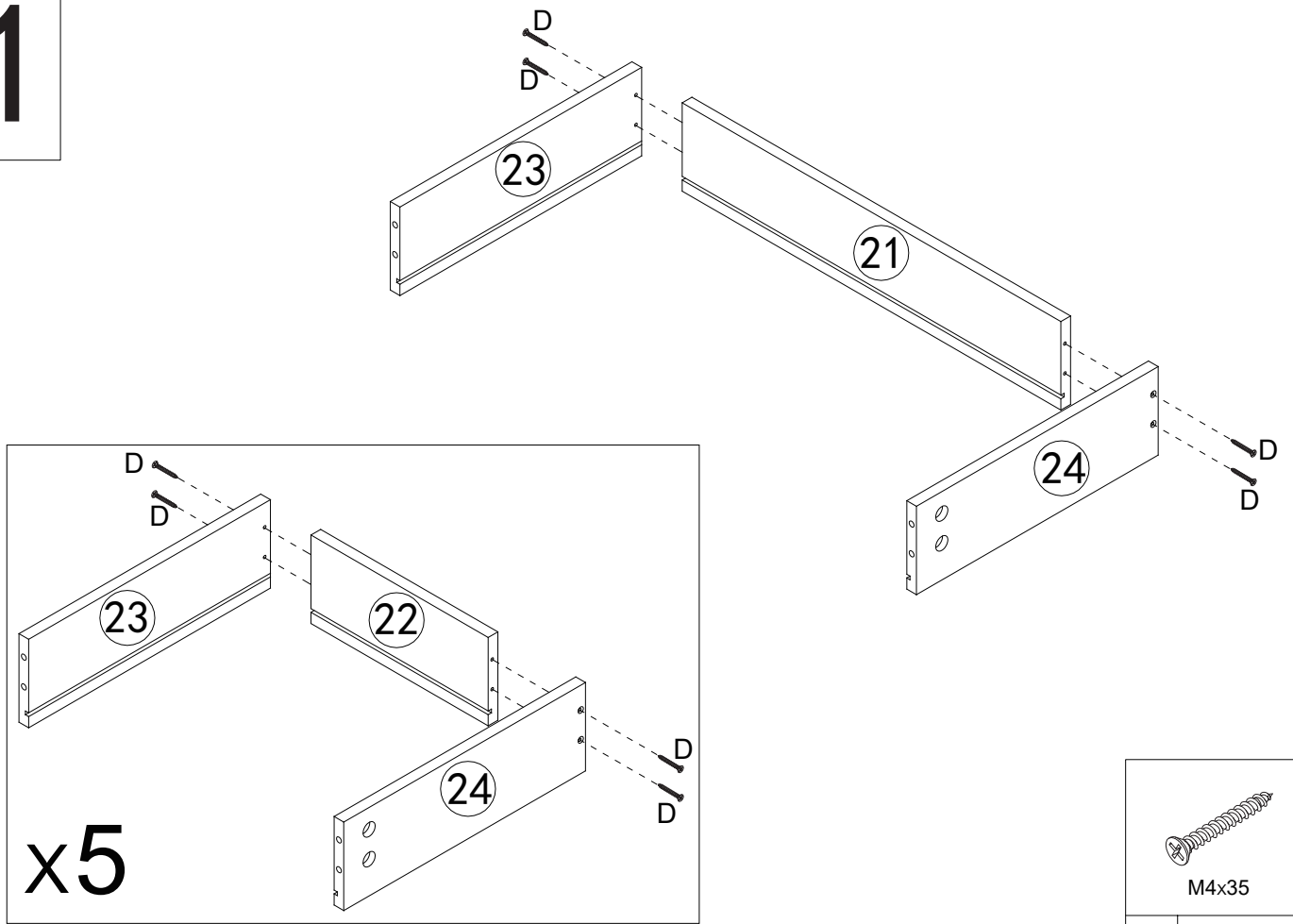
	
M4x35	
D x4	B x12

10

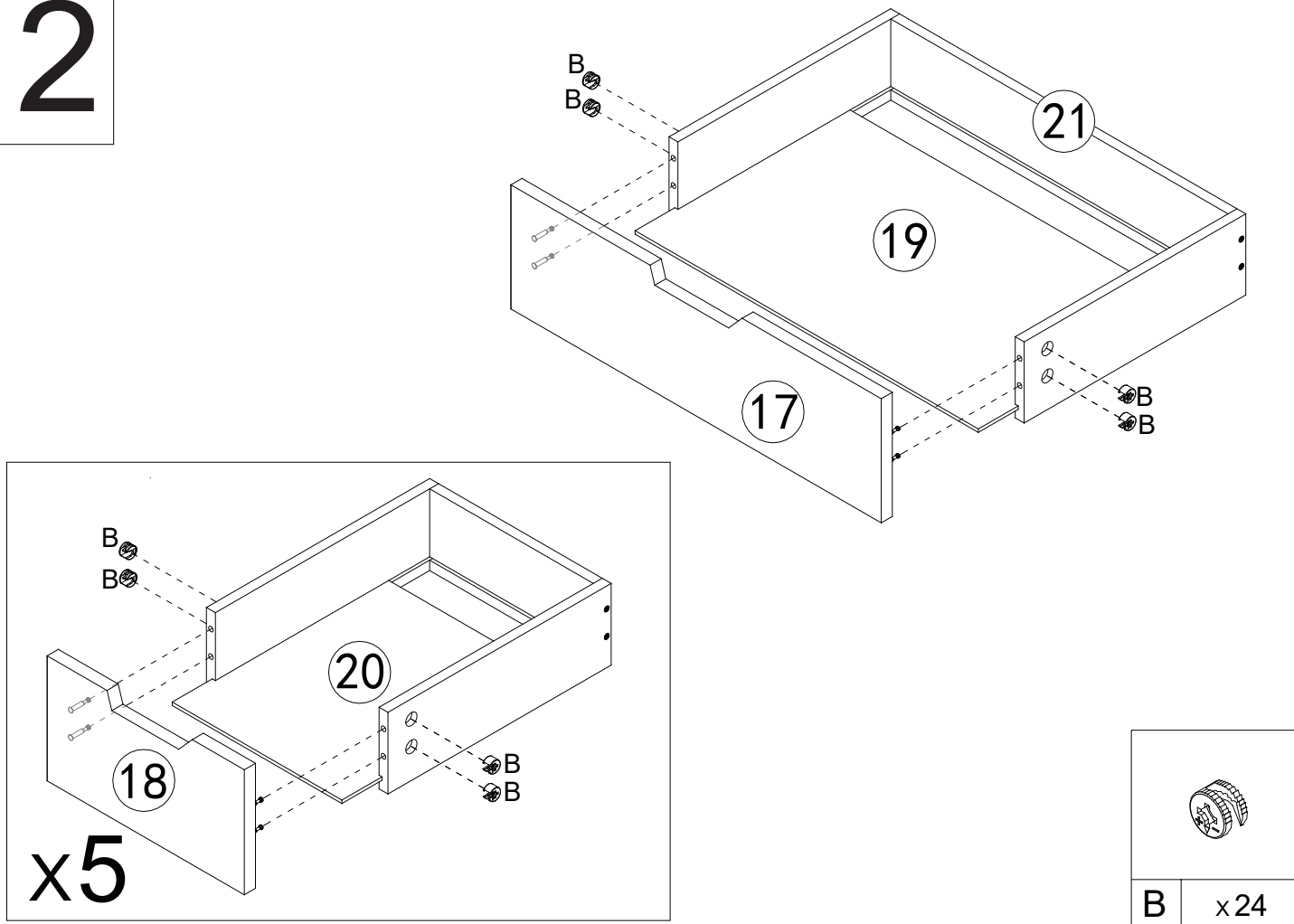


	
	Ø6x30
B x10	C x10

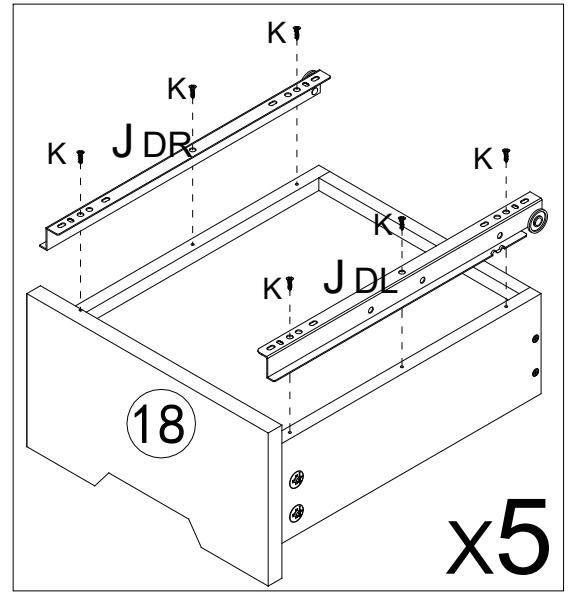
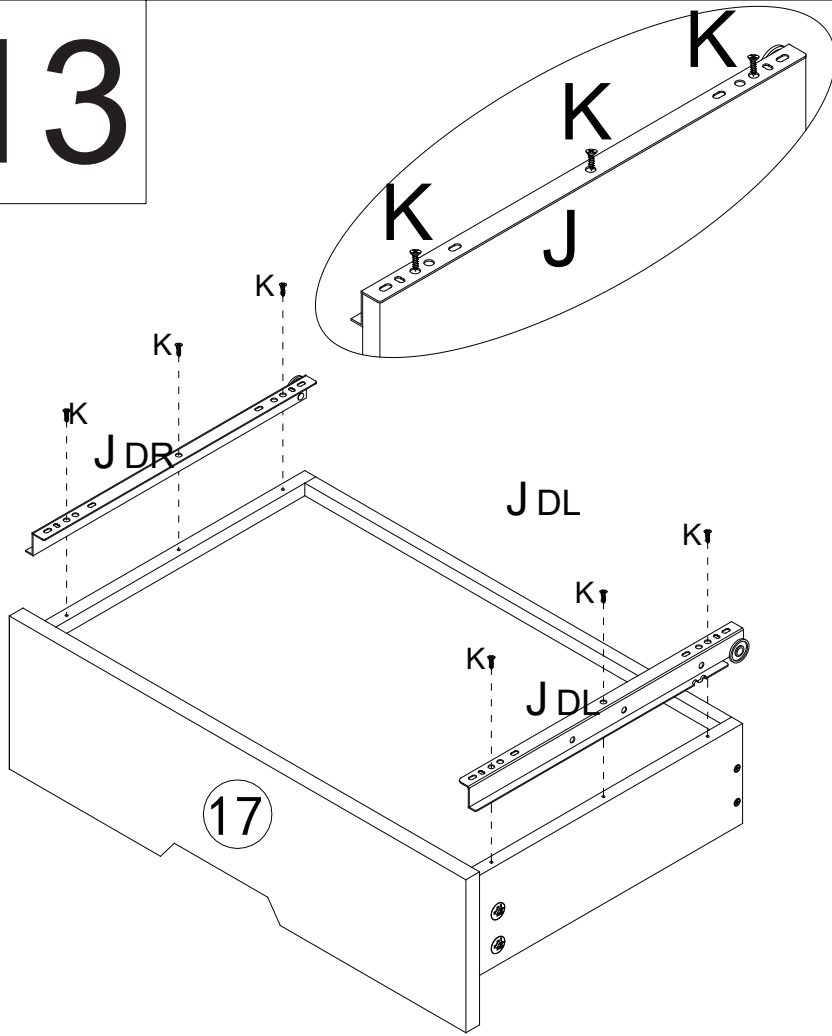
11



12



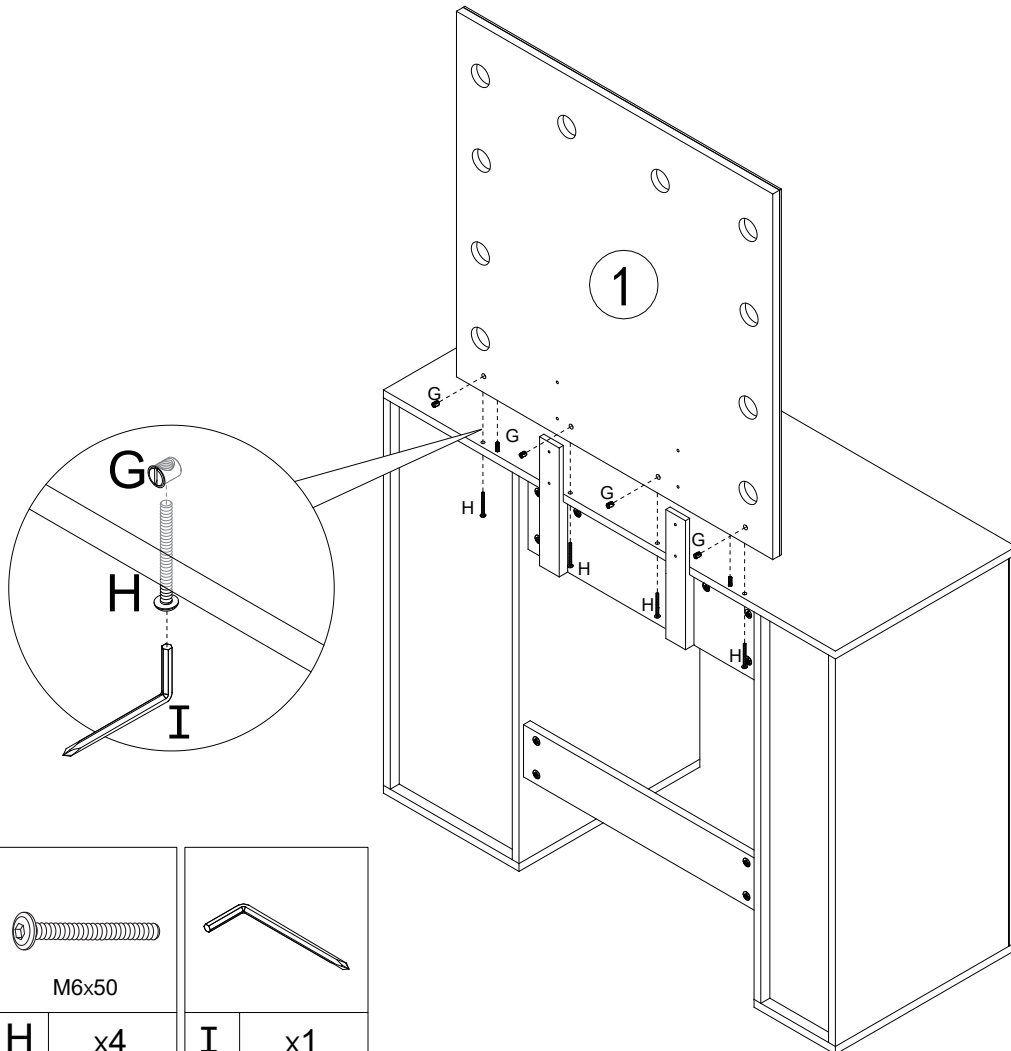
13



x5

 DR		 M3x12	
 DL			
J	x6	K	x36

14



		 M6x50			
G	x4	H	x4	I	x1

