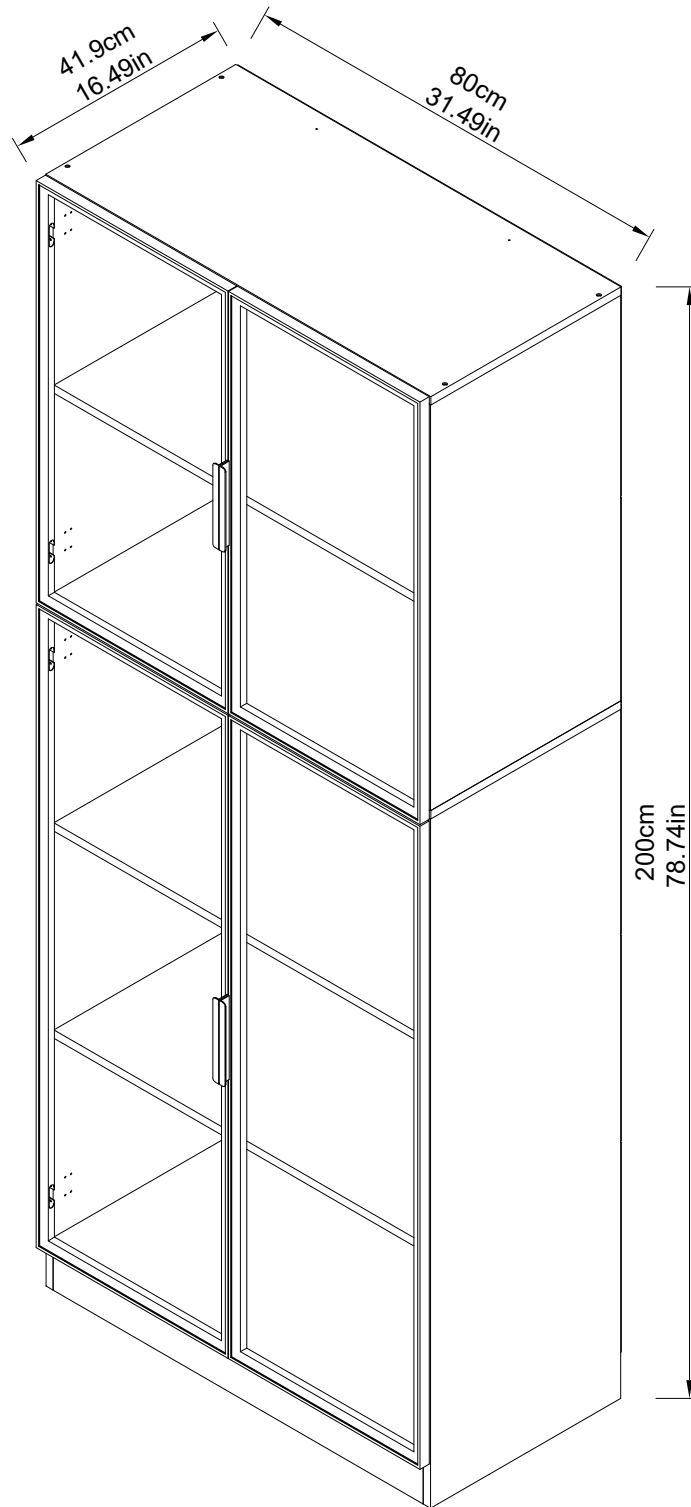


# Bookcase with light



## **IMPORTANT INFORMATION!**

• please read the entire manual before starting to assemble and/or using this product. follow the manual thoroughly and keep it for further reference.

## **AVOID SCRATCHES!**

• In order to avoid scratching this furniture should be assembled on a soft layer-could be a rug.

## **IMPROVE EFFICIENCY !**

• Try to find a partner to install with you, which can speed up the installation efficiency and shorten the time.

## **IMPORTANT !**

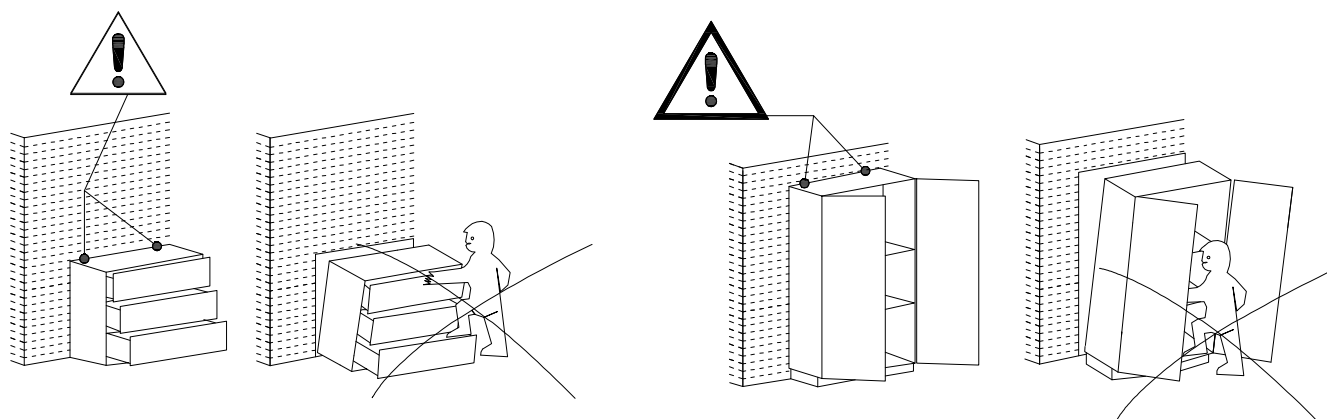
• It is important that any product which is assembled using any kind of screw is re-tightened 2 weeks after assembly, and once every 3 months - in order to assure stability through-out the lifespan of the product.

• For regular maintenance and cleaning of the product, for the frame, please use a rag dipped in neutral detergent to fully wipe it, and then dry it with a clean rag. For glass materials, wipe with a rag dampened with water glass cleaner, and then dry with a dry rag.

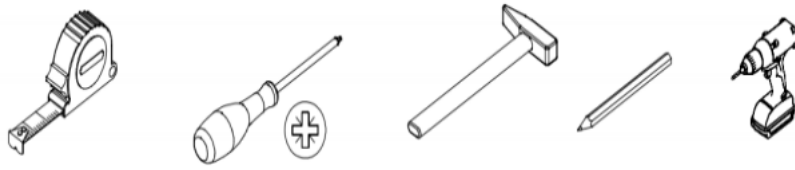
• Do not use an electric screwdriver, and do not use too much force when installing, because the board is easy to break.

## **ANTI-TOPPLE WARNING !**

Overtured furniture can cause serious or fatal crush injuries. To prevent tipping over, be sure to use the wall attachment, if not included with this product. Please purchase the wall attachment that fit your wall. If unsure, seek professional advice. Please read and follow each step of the instructions carefully.



Please prepare the following tools



**Installation Notes:**

The furniture is large and heavy, please choose a good placement before installation. After all the installation is completed, try not to move widely, if necessary, please more than one person to cooperate to carry out.

Please note: After the overall installation is completed, such as vigorous dragging, or brute force to help carry, may cause irreversible damage to the object connection position or plate, the occurrence of cracks, affecting the use and appearance.

The assembly must be done by two people.

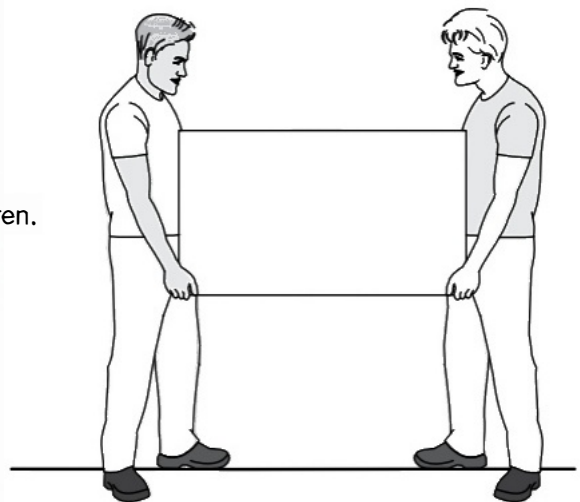
L'assemblage doit être effectué par deux personnes.

Es wird empfohlen, dass zwei Personen den Artikel montieren.

El montaje debe ser efectuado por dos personas.

A montagem deve ser efetuada por duas pessoas.

Il montaggio deve essere effettuato da due persone.



This product contain small parts, please, keep out of reach of children.

Ce produit contient de petites pièces, s'il vous plait, à conserver hors de portée des enfants.

Bitte halten Sie kleine Teile außerhalb der Reichweite von Kindern.

Este producto contiene piezas pequeñas, mantener fuera del alcance de los niños.

Este produto contém peças pequenas, por favor, mantenha fora do alcance das crianças.

Questo prodotto contiene piccole parti, si prega di tenerle fuori dalla portata dei bambini.

**REAL SIZE- TAILLE RÉELLE - ORIGINALGRÖÖE - TAMAÑO VERDADERO - TAMANHO REAL- DIMENSIONE REALE**

In case of doubt, compare the hardware with the full-size images below.

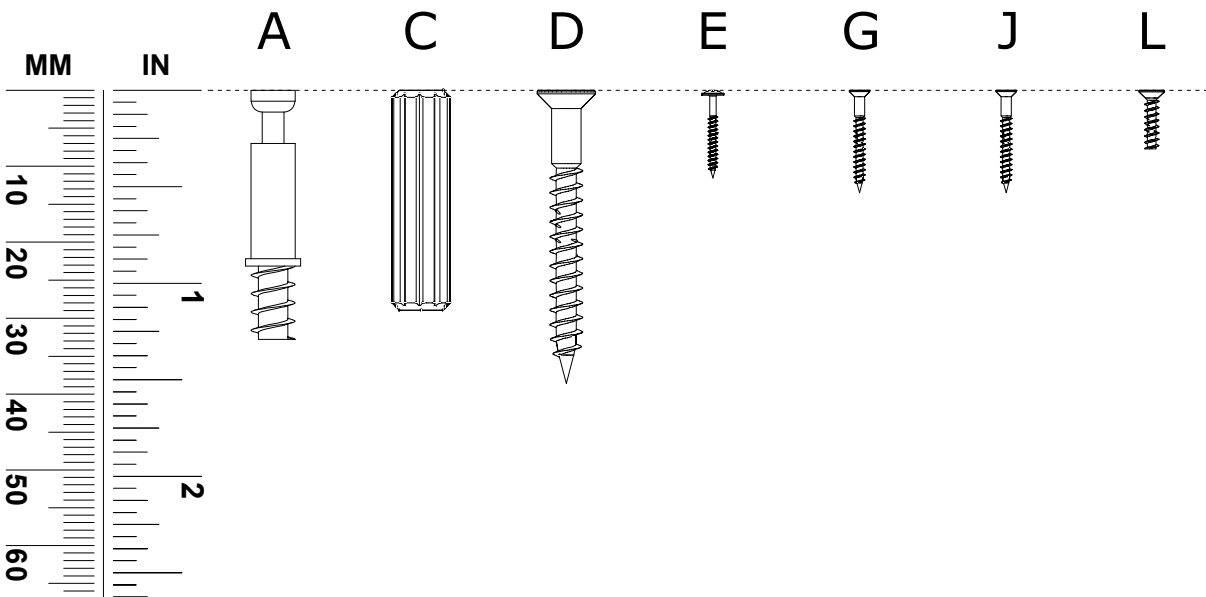
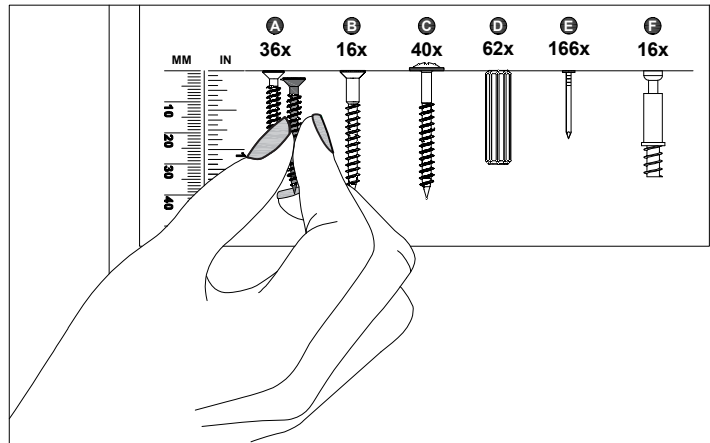
En cas de doute, veuillez comparer le matériel avec les images en taille réelle ci-dessous.

Vergleichen Sie im Zweifelsfall die Schrauben mit den Abbildungen in Originalgröße.

En caso de dudas, compare las herrajes con las imágenes a seguir en tamaño real.

Em caso de dúvida, compare as ferragens com as imagens abaixo em tamanho real.

In caso di dubbio, confronta le ferramenta con le immagini sottostanti a grandezza reale.



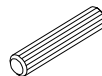
A x 32



B x 32



C x 40



D x 8



E x 36



F x 12



G x 12



H x 8



J x 32



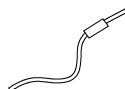
K x 2

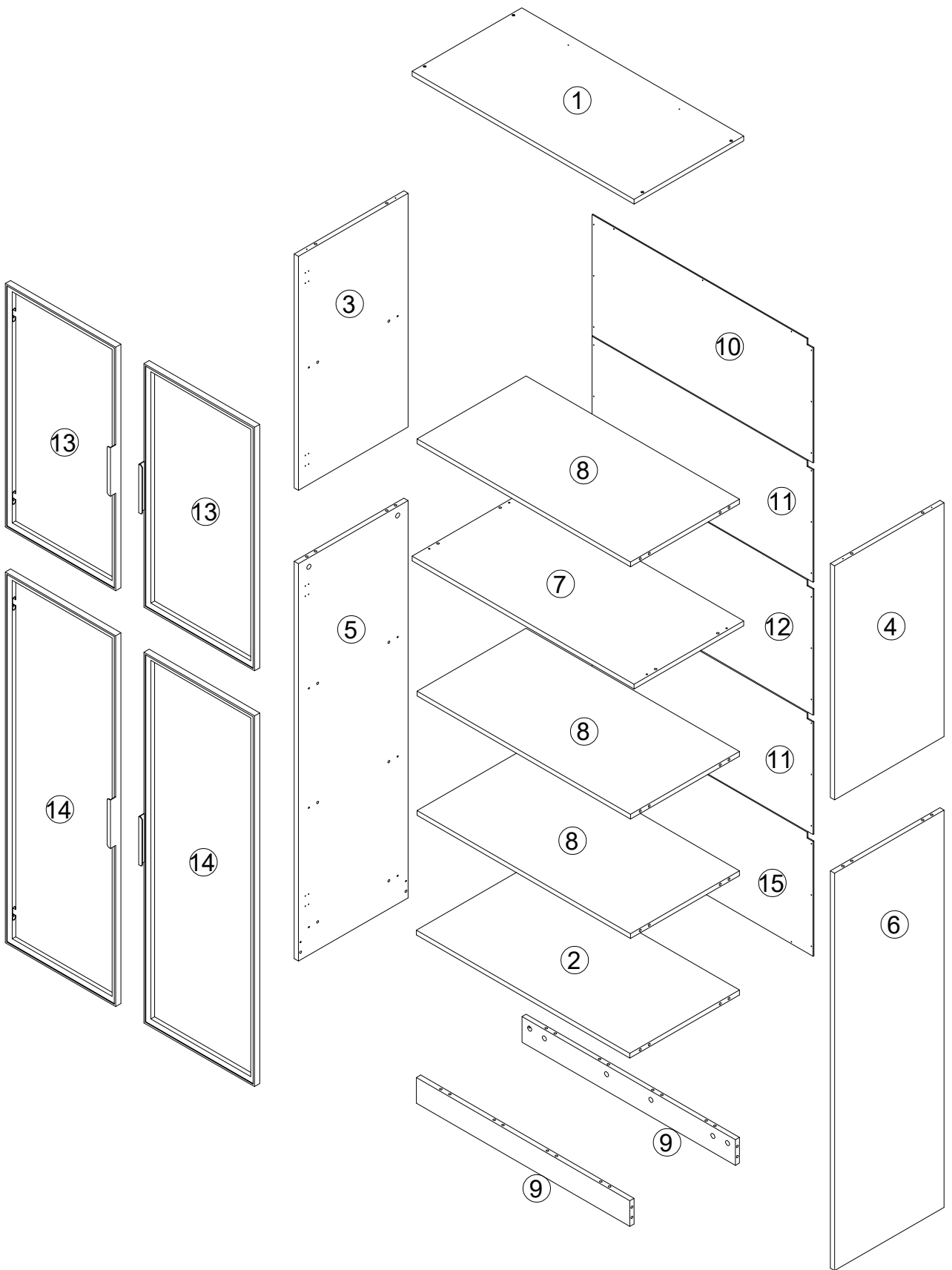


L x 16



M x 1





**ATTENTION - AVERTISSEMENT - ACHTUNG - ATENCIÓN - ATENÇÃO - ATTENZIONE**

Assemble the furniture on a clean and flat surface and cover it with the cardboard of the packaging.

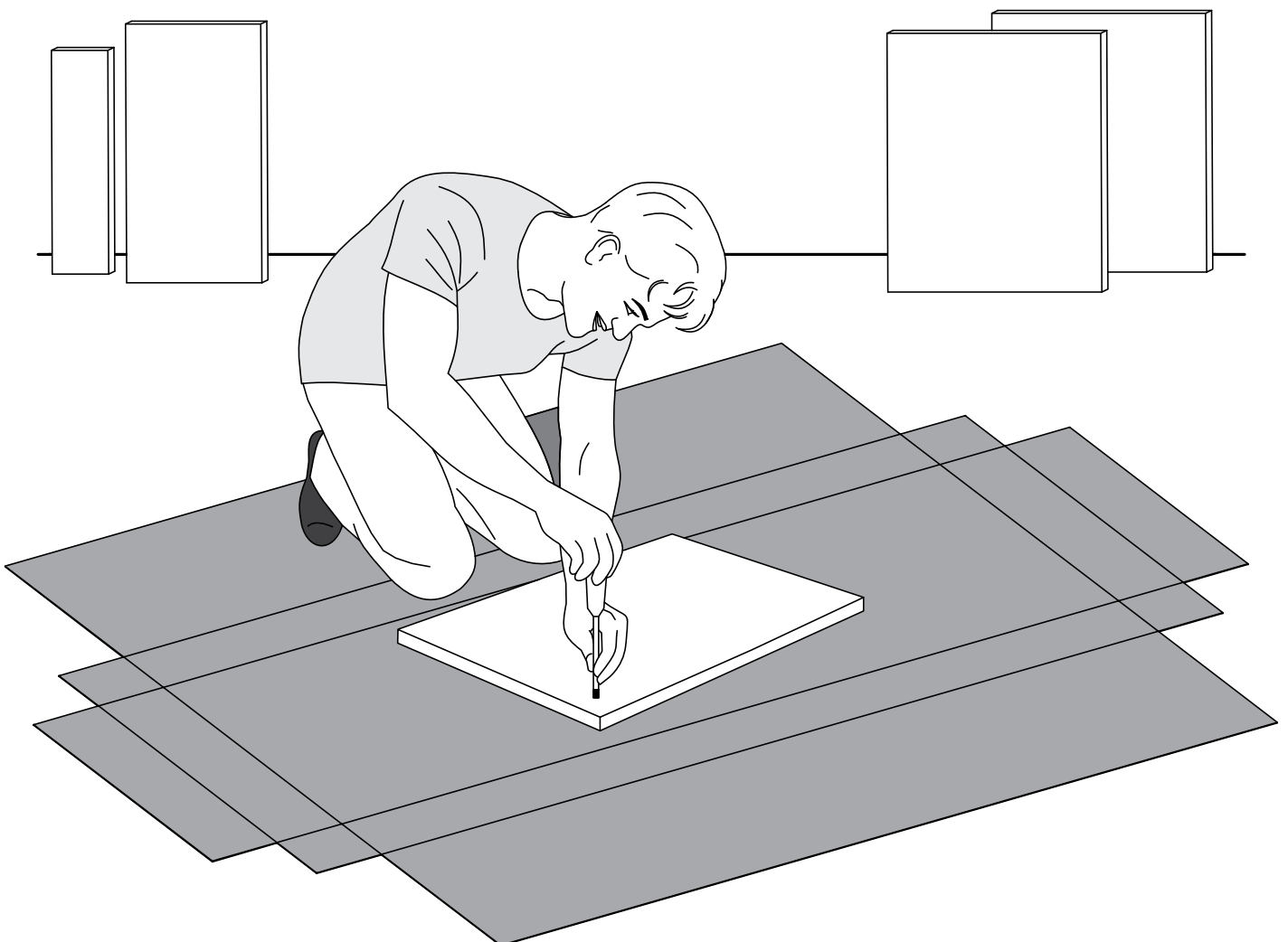
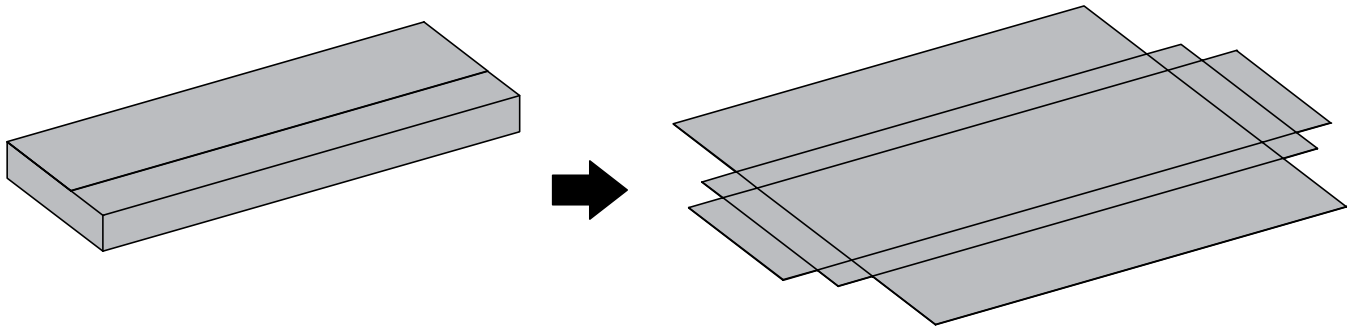
Assemblez le meuble sur une surface propre et plane et couvrez-le avec le carton de l'emballage du produit.

Um Beschädigungen zu vermeiden, montieren Sie den Artikel auf einer weichen, sauberen Unterlage.  
Tipp: Legen Sie den Artikel auf dem Verpackungskarton.

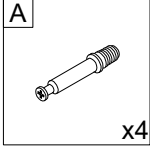
Montar el mueble sobre una superficie limpia y plana y cubrirlo con el cartón del embalaje del producto.

Montar o móvel sobre uma superfície limpa e plana e forrá-la com o papelão da embalagem do produto.

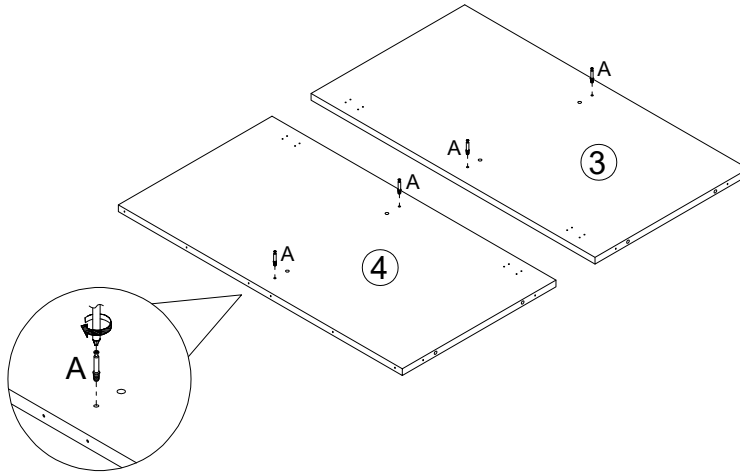
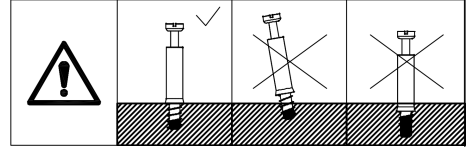
Montare il mobile su una superficie pulita e piana e rivestirla con il cartone d'imballaggio del prodotto.



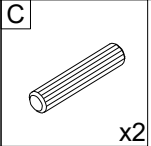
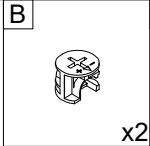
# 1



Tighten the screws (A) into the corresponding holes in parts 3 and 4, ensuring they are locked vertically.

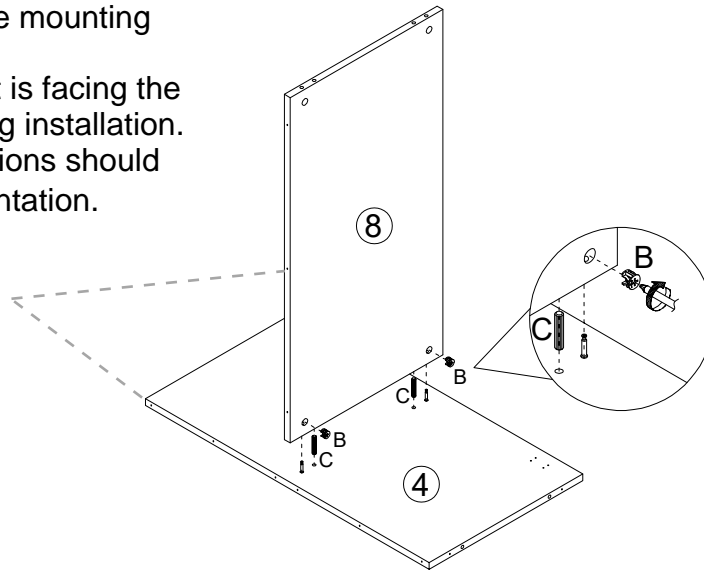


# 2

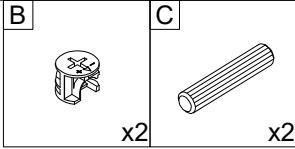


Insert the tenon (C) into the corresponding hole in part 4 as shown. Then, insert the cam locator (B) into the corresponding hole in part 8 and rotate it clockwise to secure.

Please note:  
This is the backplane mounting guide hole.  
Please ensure that it is facing the same direction during installation.  
Subsequent installations should follow the same orientation.



# 3



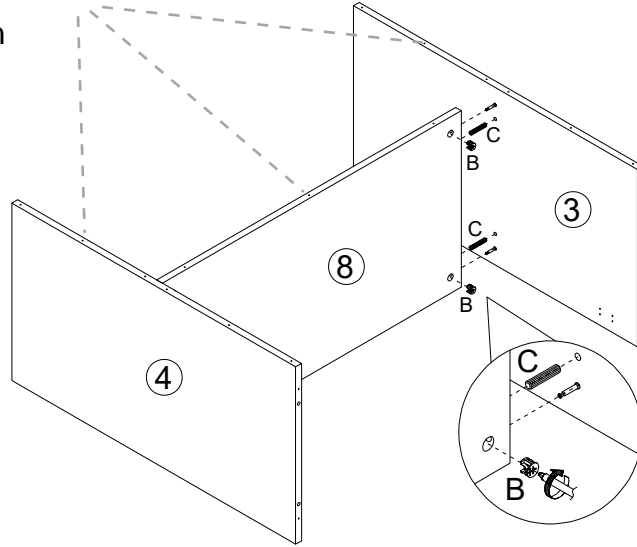
Insert the tenon (C) into the corresponding hole in part 3 as shown. Then, insert the cam locator (B) into the corresponding hole in part 8 and rotate it clockwise to secure.

Please note:

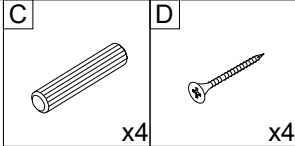
This is the backplane mounting guide hole.

Please ensure that it is facing the same direction during installation.

Subsequent installations should follow the same orientation.



# 4



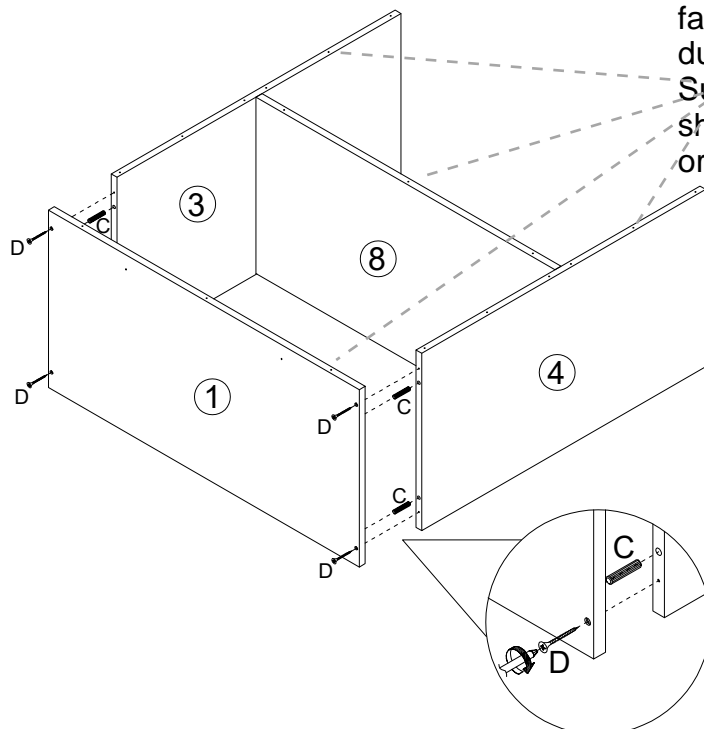
Insert the tenon (C) into the corresponding holes in parts 3 and 4 as shown, then secure part 1 with screws (D).

Please note:

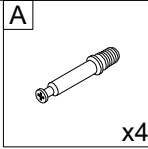
This is the backplane mounting guide hole.

Please ensure that it is facing the same direction during installation.

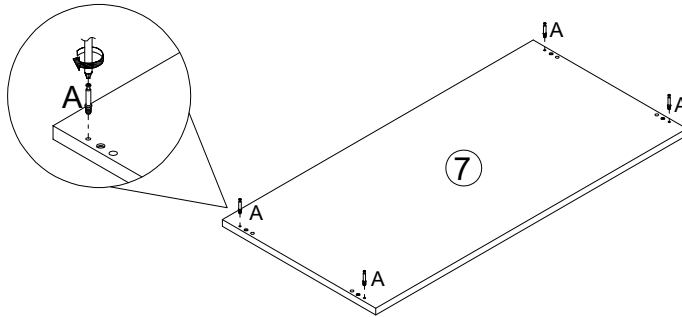
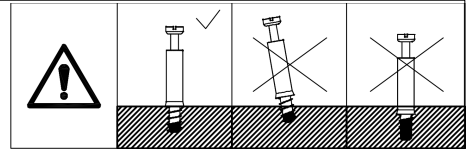
Subsequent installations should follow the same orientation.



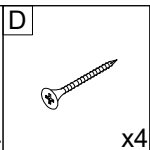
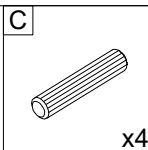
# 5



Tighten the screws (A) into the corresponding holes in part 7, ensuring they are locked vertically.

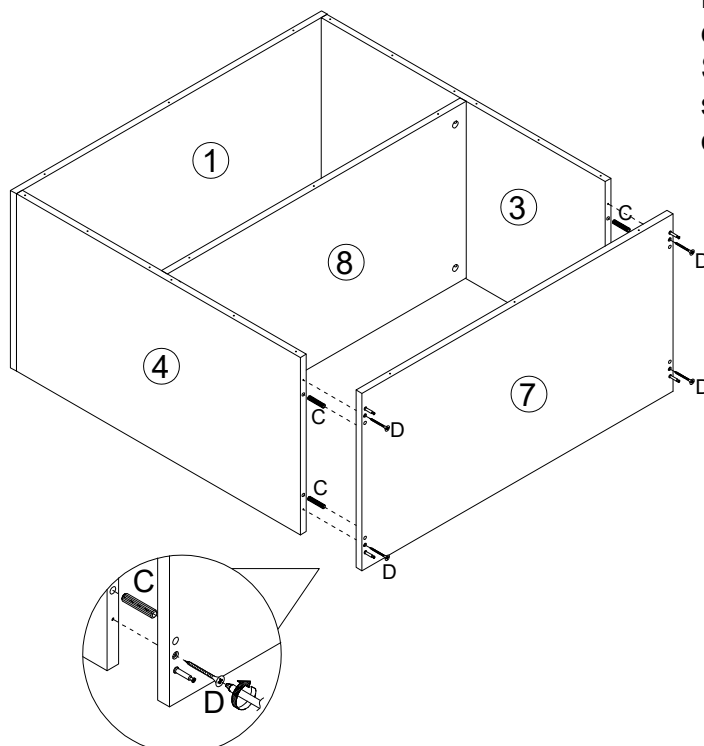


# 6

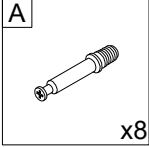


Insert the tenon (C) into the corresponding holes in parts 3 and 4 as shown, then secure part 7 with screws (D).

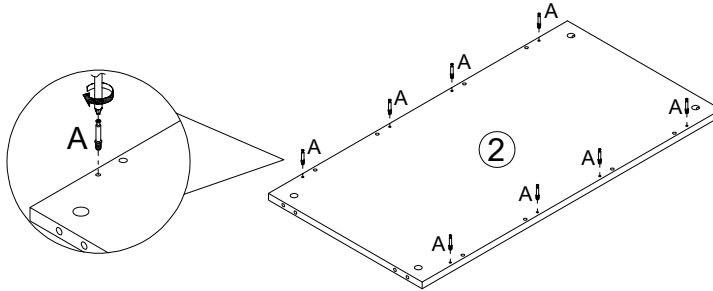
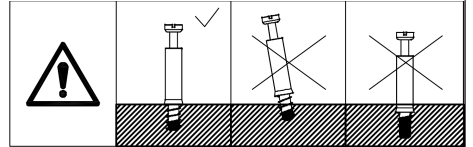
Please note:  
Please ensure that it is facing the same direction during installation.  
Subsequent installations should follow the same orientation.



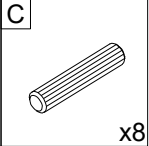
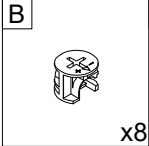
# 7



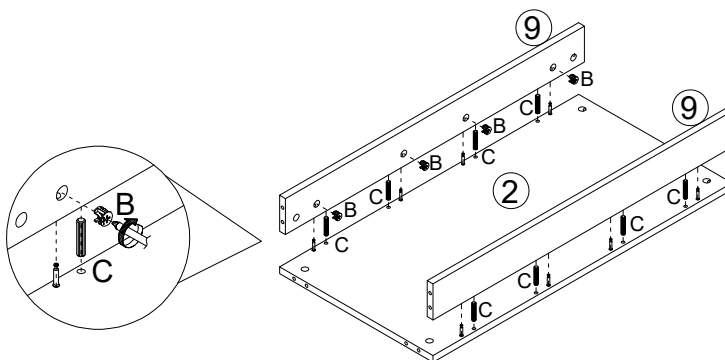
Tighten the screws (A) into the corresponding holes in part 8, ensuring they are locked vertically.



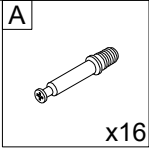
# 8



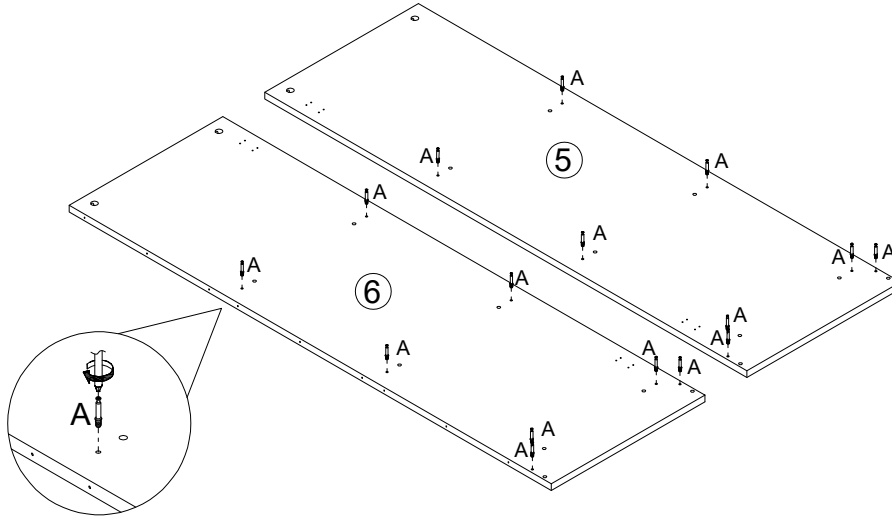
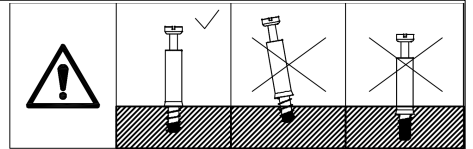
Insert the tenon (C) into the corresponding hole in part 2 as shown. Then, insert the cam locator (B) into the corresponding hole in part 9 and rotate it clockwise to secure.



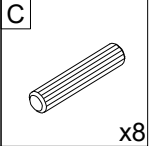
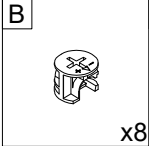
# 9



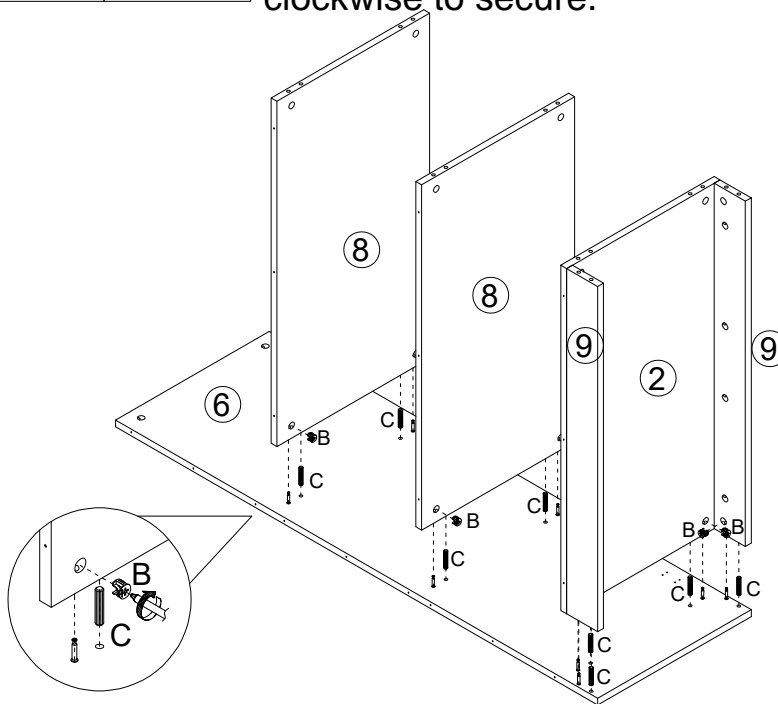
Tighten the screws (A) into the corresponding holes in parts 5 and 6, ensuring they are locked vertically.



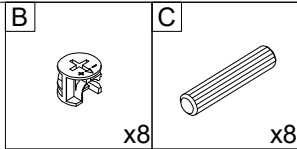
# 10



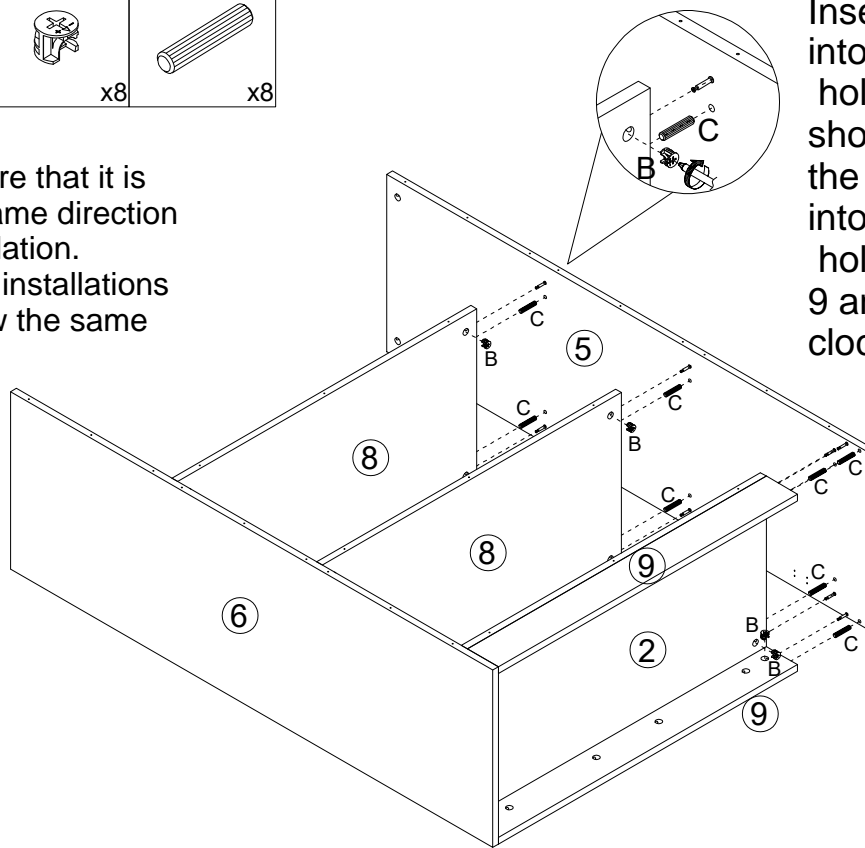
Insert the tenon (C) into the corresponding hole in part 6 as shown. Then, insert the cam locator (B) into the corresponding hole in parts 2, 8 and 9 and rotate it clockwise to secure.



# 11

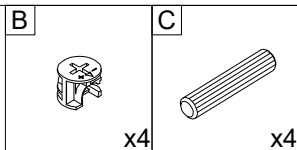


Please note:  
Please ensure that it is facing the same direction during installation.  
Subsequent installations should follow the same orientation.

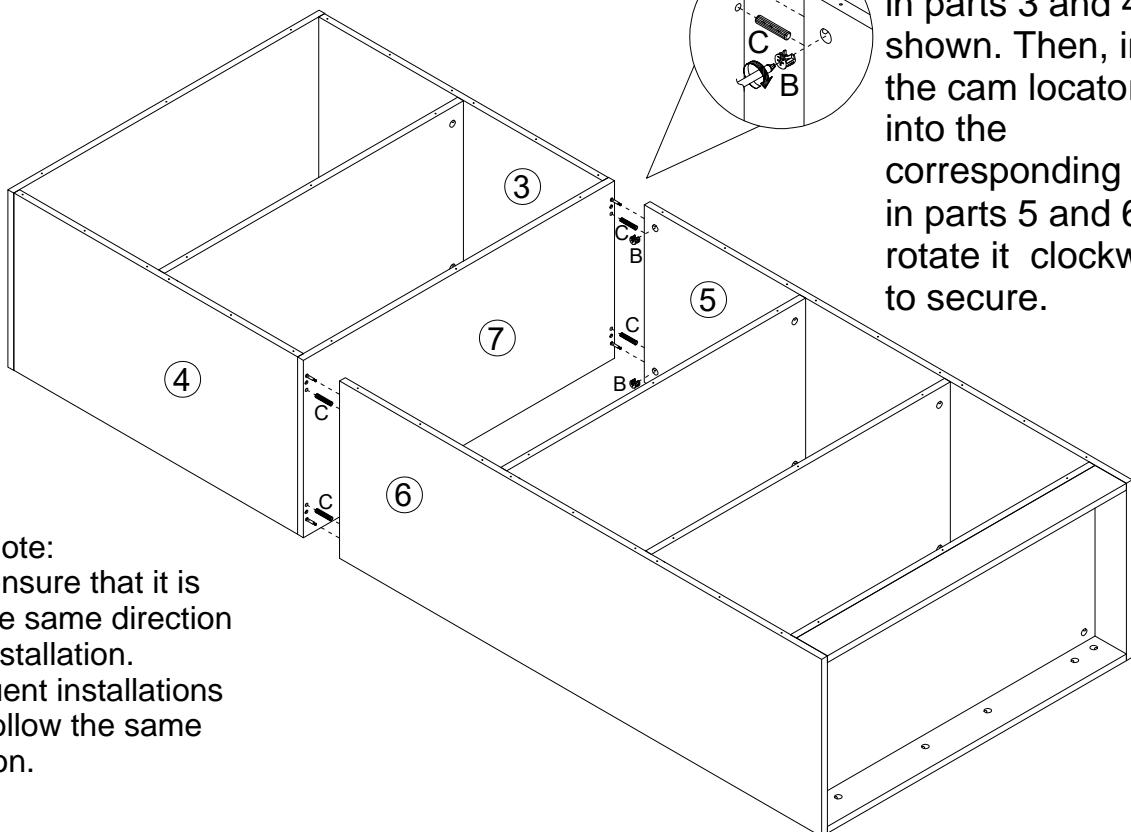


Insert the tenon (C) into the corresponding hole in part 5 as shown. Then, insert the cam locator (B) into the corresponding hole in parts 2,8 and 9 and rotate it clockwise to secure.

# 12

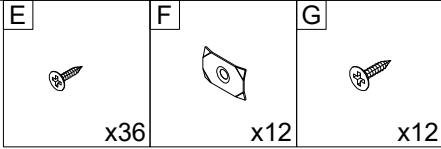


Insert the tenon (C) into the corresponding hole in parts 3 and 4 as shown. Then, insert the cam locator (B) into the corresponding hole in parts 5 and 6 and rotate it clockwise to secure.



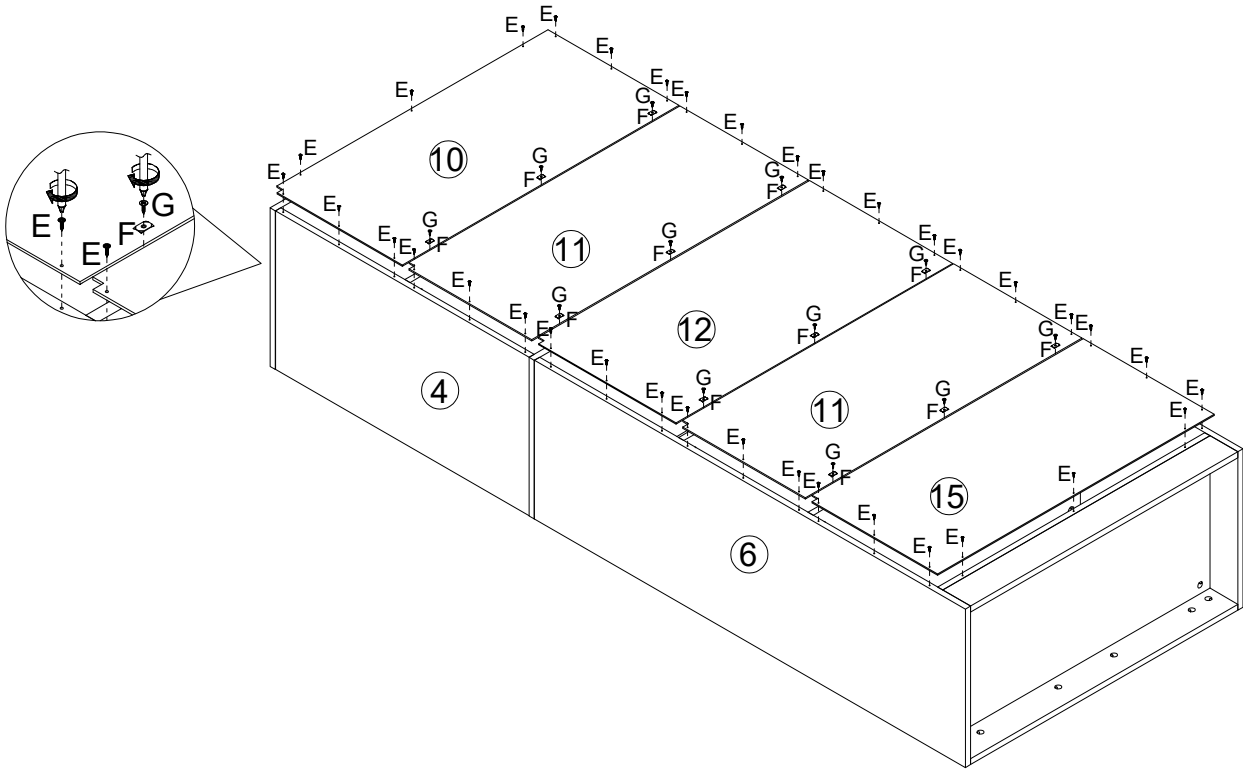
Please note:  
Please ensure that it is facing the same direction during installation.  
Subsequent installations should follow the same orientation.

# 13

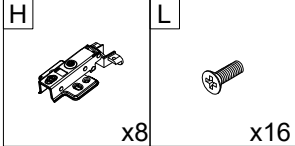


Place backplates 10, 11, 12, and 15 in position as shown, and secure them with screws (E). Then, use screws (F and G) to secure the gap between the backplates.

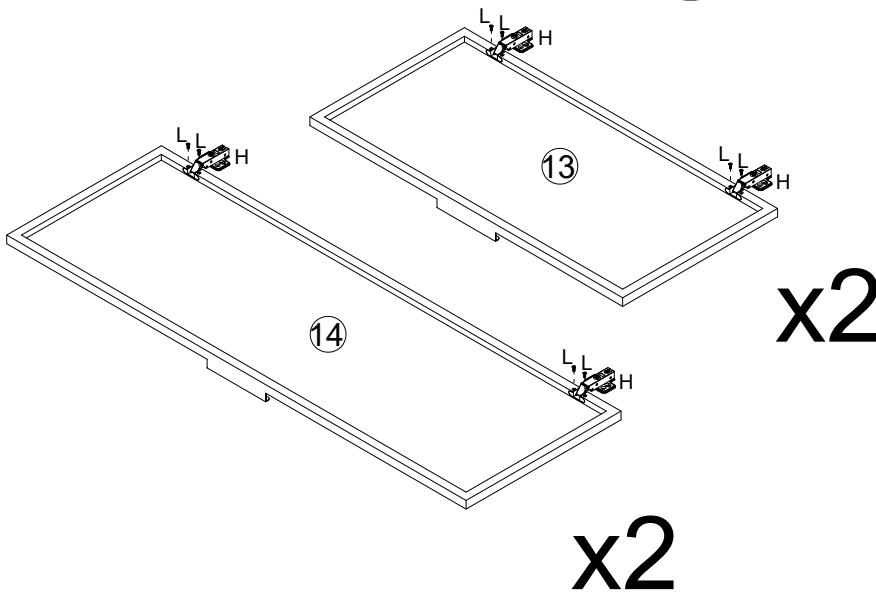
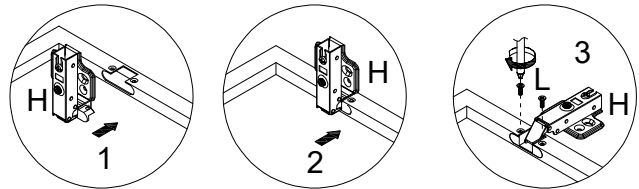
Be sure to pay attention to the appropriate holes.



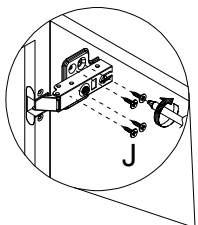
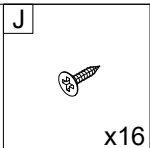
# 14



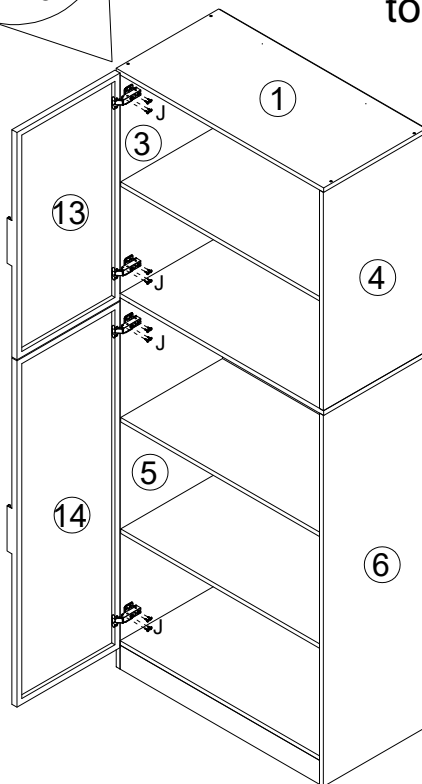
Install the hinges as shown.



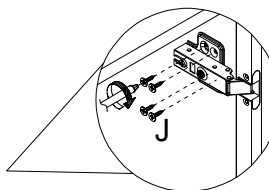
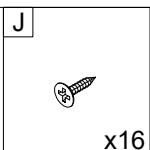
# 15



Cabinet Door Installation:  
Please refer to the picture.  
Two people should work  
together.

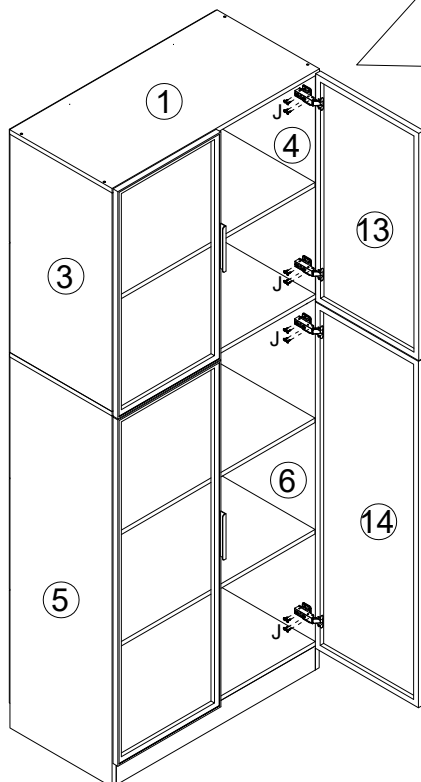


# 16

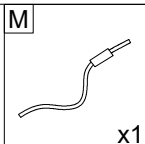


Cabinet Door Installation:  
Please refer to the picture.  
Two people should work  
together.

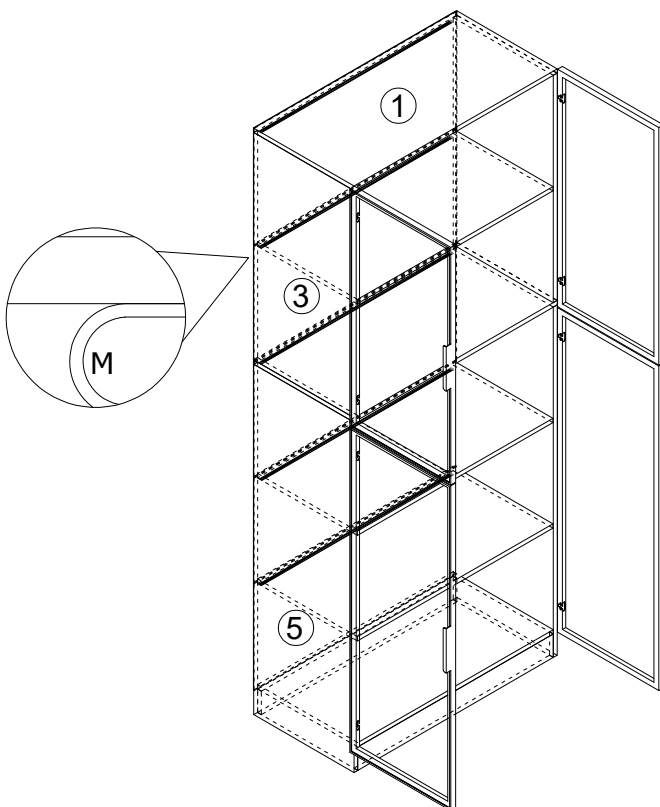
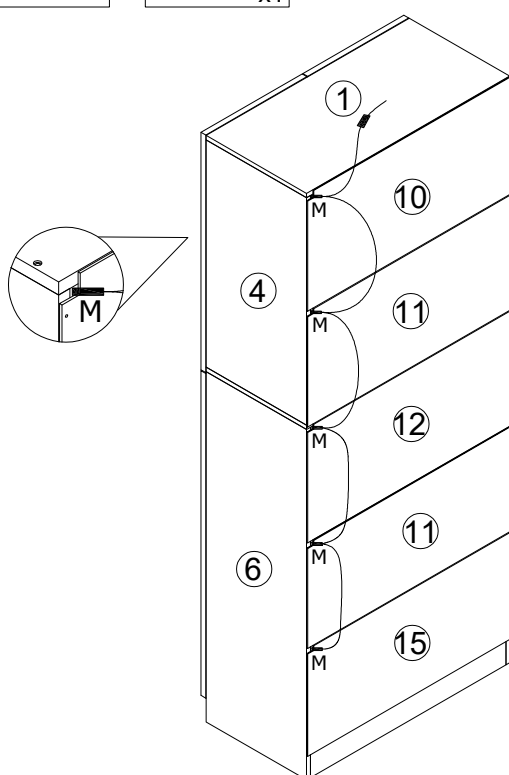
If the door isn't aligned or the  
seams are uneven, please refer  
to the last page for instructions  
on adjusting the hinges.



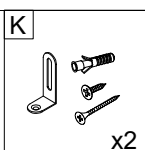
# 17



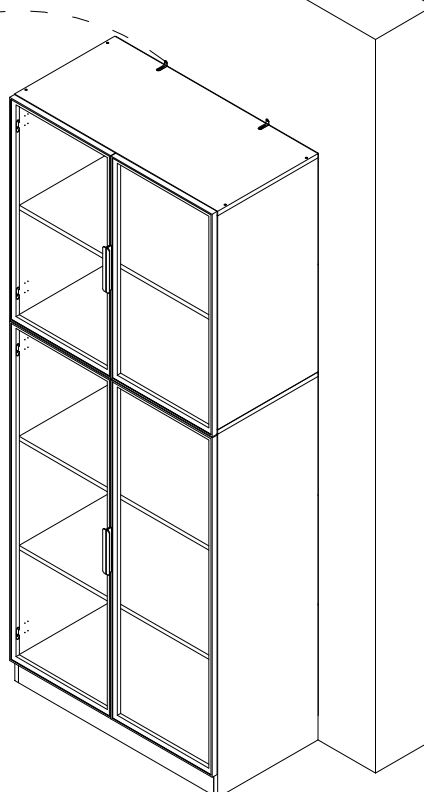
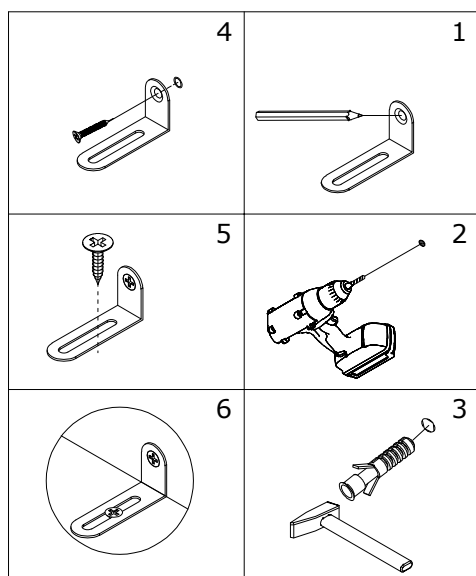
Install the light strip as shown



# 18



Attach wall anchors to the wall as shown for safety and stability.



## Cabinet Door Adjustment Method Diagram

