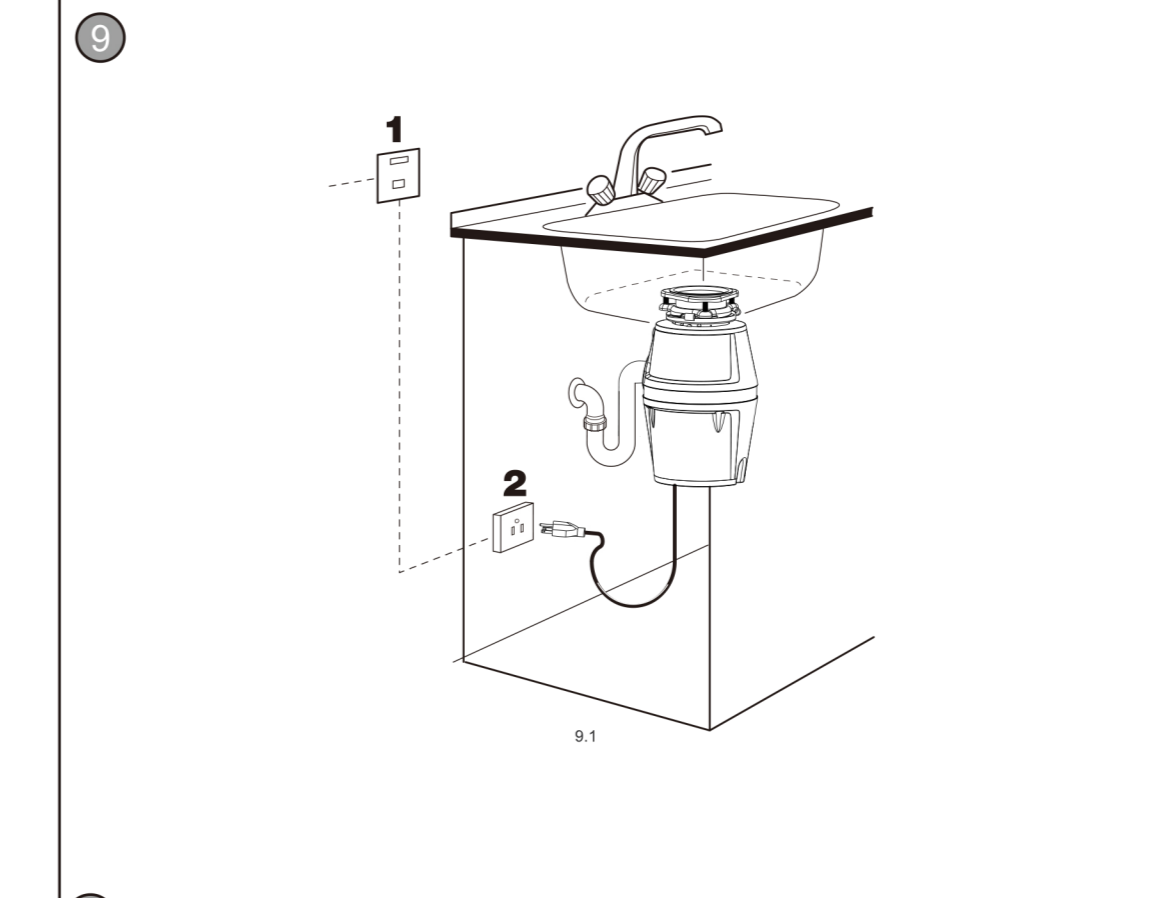
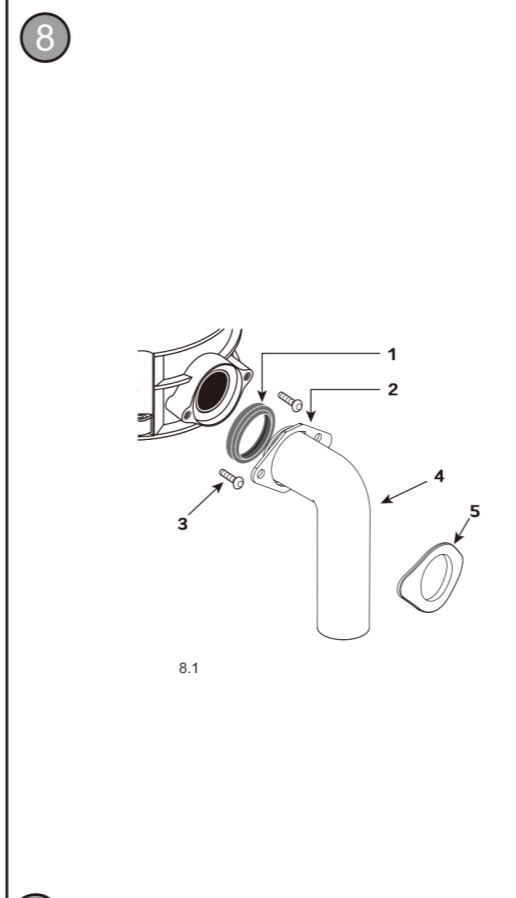
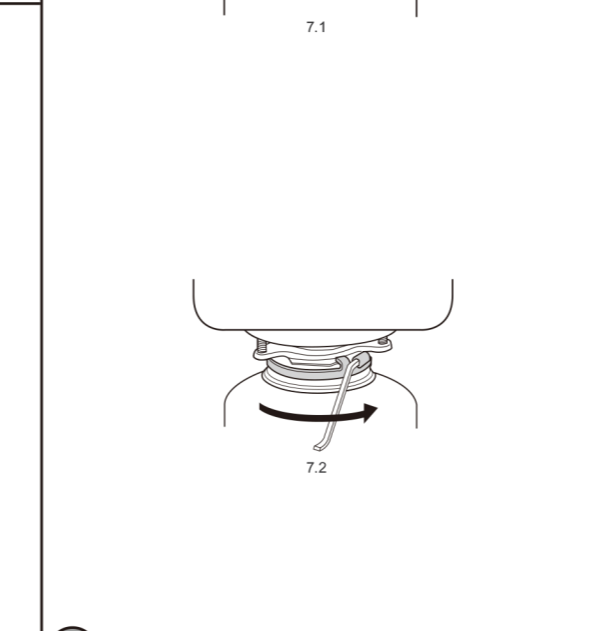
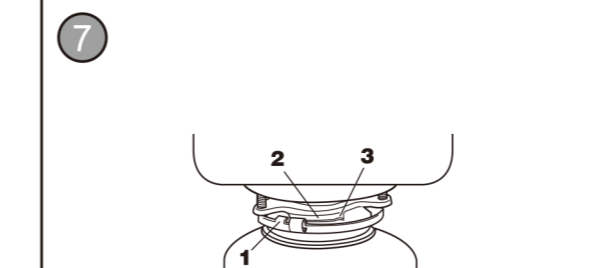
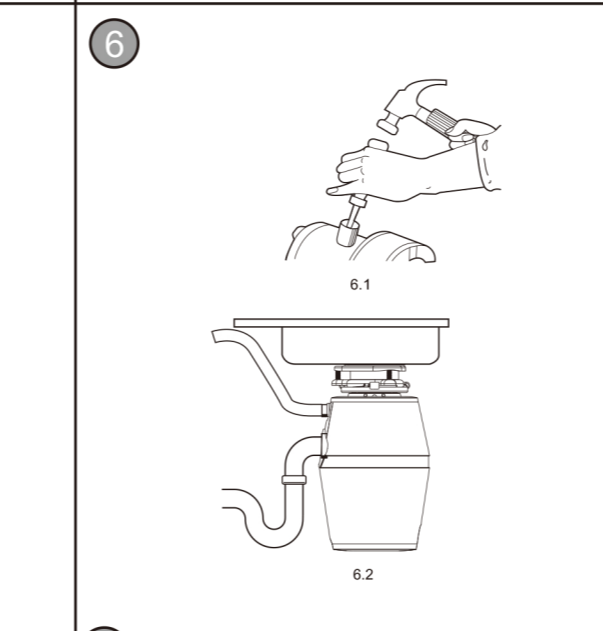
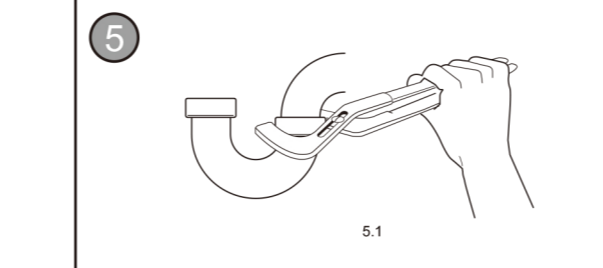
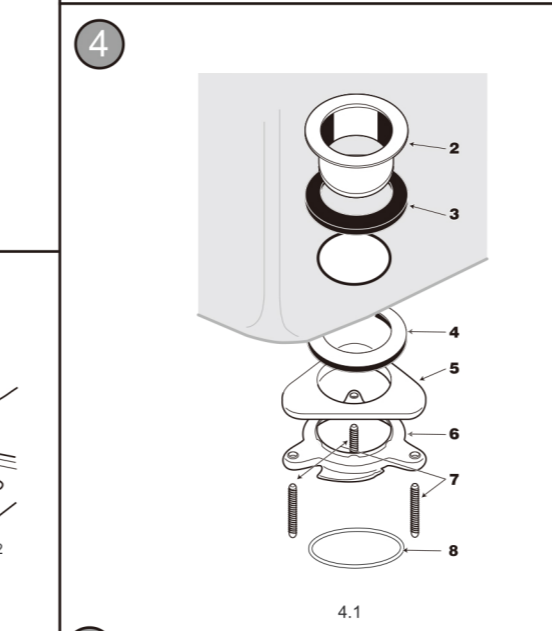
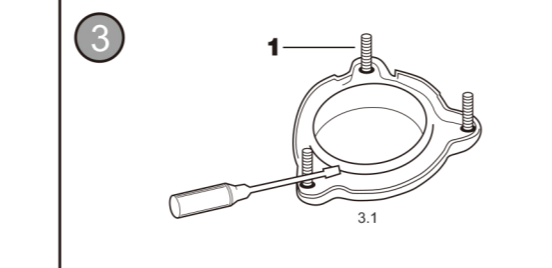
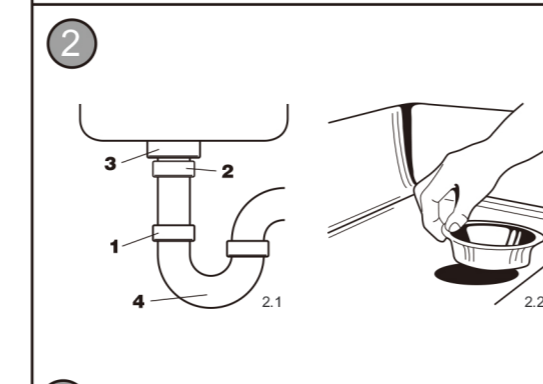
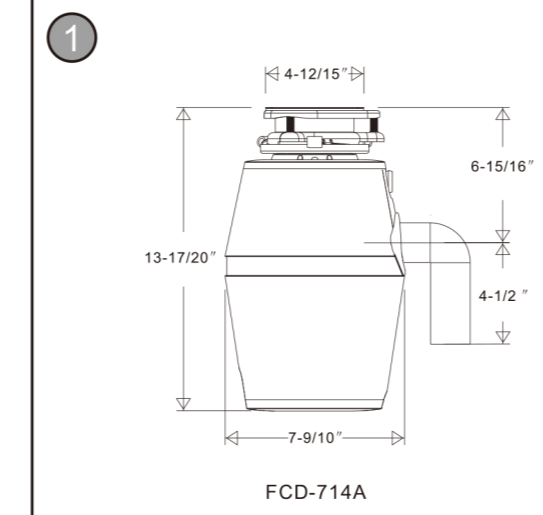
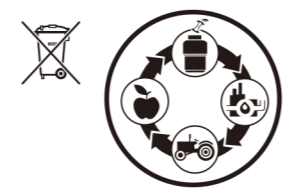
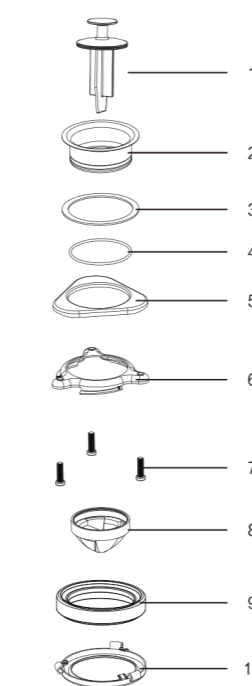
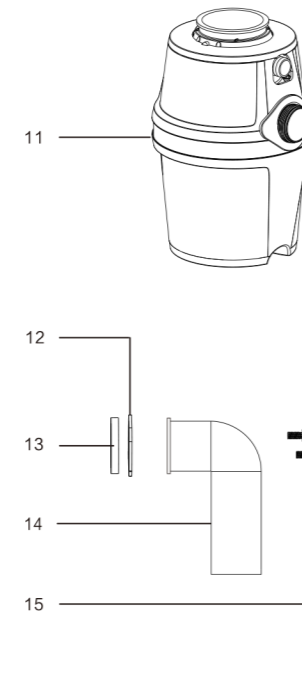


USER MANUAL

FOOD WASTE DISPOSER

MODEL NO. : FCD-713A
FCD-714A



ENGLISH

FOOD WASTE DISPOSER INSTALLATION, CARE & USE MANUAL

Read through the entire Installation, Care & Use manual before installing the disposer. Determine which of the tools, materials, and accessories you will need before you begin. Make sure you have all necessary disposer parts before installing the disposer.
NOTE: The Evolution models grind much finer than any other disposer. For this reason you may notice that it take sal little longer to grind some food waste.

NOTE: Make sure that the installation of this appliance is allowed by the authorities.
TOOLS & MATERIALS YOU WILL NEED:
Slotted Screwdriver, Adjustable Pliers, Electrical Tape
TOOLS, MATERIALS, AND ACCESSORIES YOU MAY NEED:
Phillips Screwdriver, Drain Auger, 9.5 mm Electrical Clamp, Wire Nut (2), Safety Glasses, Hammer, Hacksaw, Water Hose Clamp, Pipe Wrench, Copper Earth Wire, Dishwasher Drain Connection Kit

PARTS LIST

- | | |
|------------------------------|---------------------------|
| 1. Multifunctional sink plug | 9. Splash guard seal ring |
| 2. Sink Flange | 10. Lower Mounting Ring |
| 3. Rubber Gaskets | 11. Models |
| 4. Fiber Gasket | 12. Drainpipe Gland |
| 5. Backup Ring | 13. Rubber Gasket |
| 6. Mounting Ring | 14. Drainpipe |
| 7. Screws (3) | 15. Screw(2) |
| 8. Splash guard | |

- ▲ DANGER** Danger indicates an imminently hazardous situation which, if not avoided, will result in death or serious injury.
- ▲ WARNING** Warning indicates a potentially hazardous situation which, if not avoided, could result in death or serious injury.
- ▲ CAUTION** Caution indicated a potentially hazardous situation, which, if not avoided, may result in minor or moderate injury.

1 CHECK INSTALLATION DIMENSIONS

- Disposer Height
- Distance from bottom of sink bowl to centerline of discharge outlet. (Add 12 mm when stainless steel sink is used.)
- Distance from centerline of the discharge outlet to end of discharge tube.
- Disposer Width
- Distance from disposer vertical centerline to centerline of trap connection. To properly drain and prevent standing water in the disposer, the waste pipe entering the wall must be lower than the disposer discharge outlet.

2 DISCONNECT SINK DRAIN

▲ CAUTION
PERSONAL INJURY
Wearing safety glasses is recommended during the installation of the food waste disposer.

- Loosen nut (1) at top of trap (4) with pipe wrench (see Figure 2.1).
- Loosen nut (2) at top of extension pipe. Remove extension pipe.
- Loosen nut (3) at base of sink flange.
- Push sink flange up through sink hole and remove it (see Figure 2.2).
- Clean sink flange area of any putty or other debris.

3 DISASSEMBLE NEW DISPOSER MOUNTING ASSEMBLY

- Use a screwdriver to pry mounting ring off of sink flange.
- Remove trap. (See Figure 3.1) and loosen three mounting screws (1) Mounting assembly will now come apart.

4 ATTACH UPPER MOUNTING ASSEMBLY TO SINK

Reference Figure in Instruction 1 for part identification of items in Figure 4.1.
1. Place rubber gaskets (3) under sink flange (2). Ensure sink hole area is clear of debris and place sink flange/gasket into sink hole. You may wish to place a weighted object in the sink to hold the sink flange in place. (Place a towel under object to prevent scratching.)

- Working under the sink, slip fiber gasket(4) and metal backup ring (5) (flat side up) over the sink flange.
- Hold second rubber gasket, fiber gasket and metal backup ring in place, slip mounting ring (6) over sink flange so it seats against backup ring.
- With the rubber gasket, fiber gasket , backup ring, and mounting ring light against sink bottom, install the snap ring on the groove of the sink flange.
- Push sink flange up through sink hole and remove it (see Figure 2.2).
- Tighten three mounting screws (7) up to sink until mounting assembly is seated tightly and evenly against sink.

5 CLEAN SINK WASTE PIPE

Failure to clean sink waste pipe line may result in waste pipe blockage.
1. Remove trap. (See Figure 5.1)
2. With drain auger, clear away all hardened waste material in horizontal drain line running from drain trap to main pipe.

6 DISHWASHER ATTACHMENT AND OVERFLOW CONNECTION

Wastewater from a dishwasher can be plumbed into the disposer through the inlet access on the upper part of the disposer. There is a plug on the inside of the inlet tube on all models. Once removed, the knockout plug cannot be replaced.
NOTE: If the dishwasher connection is made without removing the plug, the dishwasher may overflow. (Connections must comply with local plumbing codes.)

- REMOVE KNOCKOUT PLUG**
- Lay disposer on its side and insert screwdriver into dishwasher inlet so tip rests on outer edge of knockout plug.
 - Tap end of screwdriver handle with hammer until molded plug breaks loose (see Figure 6.1).
 - Remove loose knockout plug from inside disposer.
- If you have a sink overflow, it should be connected to the overflow inlet on the tailpipe (see Figure 6.2).

7 CONNECT DISPOSER MOUNTING ASSEMBLY

▲ CAUTION
PERSONAL INJURY
To avoid personal injury, do not position your head or body under disposer, the unit could fall during installation.
Clear any objects from inside the disposer grind chamber before mounting the disposer to the sink.

- Position disposer with three mounting tabs (1) aligned in position to slide over mounting tracks (2). (See Figure 7.1)
- Lift disposer, insert top end (mounting gasket) into mounting assembly, and turn lower mounting ring to right (with wrenchette or adjustable pliers) until mounting tabs lock over ridges (3) on mounting ring tracks (see Figure 7.2). Make sure all three mounting tabs are locked over ridges. Disposer will now hang by itself.
- Run water into sink, then check for leaks.

8 ATTACH DISCHARGE TUBE TO WASTE DRAIN PIPE

▲ CAUTION
PROPERTY DAMAGE
Wearing safety glasses is recommended during the installation of the food waste disposer.
Do not use plumber's putty on any other disposer connection other than on sink flange. Do not use thread sealants or pipe dope. These may harm disposer and cause property damage.
Regularly inspect disposer and plumbing fittings for water leaks, as water leaks can cause property damage. Manufacturer cannot be held responsible for property damage as a result of water leaks.
Disposer will now hang by itself.

- DISCHARGE TUBE INSTALLATION**
- Place metal flange (2) over discharge tube (4). Insert rubber gasket (1) with gasket lip facing the metal flange into discharge tube. (See Figure 8.1)
 - Secure metal flange and discharge tube to disposer with two 13 mm bolts (3).
 - Put the rubber plug (5) on the housing through the drain pipe. (Only FCD-714A have rubber plug(5))
- ALL DISPOSERS CONTINUE WITH STEPS 3-6**
- Rotate disposer so that discharge tube is aligned with drain trap. (To prevent leaks, do not pull or bend discharge tube to drain trap). If discharge tube is too short, you can purchase an extension from hardware store. (Disposer must remain in vertical position to prevent vibration.)
 - Place nut, then ferrule on discharge tube (not supplied) and tighten on drain trap. (If you have a double sink, use separate drain traps for both sides of sink.)
 - Ensure lower mounting ring is still securely locked over ridges on mounting flange.
 - Place stopper in sink in close position. Fill sink with water, remove stopper and check for leaks.

9 CONNECT DISPOSER TO ELECTRICAL SUPPLY

▲ DANGER
ELECTRICAL SHOCK
To avoid electrical shock, disconnect power before installing or servicing disposer.
If you are not thoroughly familiar with electric power, contact a qualified electrician to connect disposer to electrical circuit.
If three-prong, earth (grounded) plug is used, plug must be inserted into three-hole, earth (grounded) receptacle.
Do not modify plug provided with unit (if applicable).
Improper connection of equipment earth (grounded) conductor can result in electric shock.
All wiring must comply with local electrical codes.
Do not attach earth wire (ground wire) to gas supply pipe.
Do not reconnect electrical current at main service panel until proper earth (grounded) outlets are installed.
If the supply cord is damaged, it must be replaced by the manufacturer, its service agent or similarly qualified persons in order to avoid a hazard.

AIR SWITCH INSTALLATION

- Drill a 28 mm wide hole into the kitchen work top, or the corner of the sink unit, at the most convenient point for use. Some sink units may already have a suitable hole in them which can be exposed by removing the cap.
- Remove the nut from the push button bellows, while keeping the stainless steel washer and rubber gasket in place. Push one end of the PVC tubing onto the spout of the push button bellows, feed the other end of the tube through the hole in the work top and through the nut underneath the work top. (See Figure 9.2)
- Fit the push button bellows in the hole and then screw up the nut underneath the work top until it is hand tight. Do not use a wrench to tighten the nut. (See Figure 9.3)
- Take the other end of the air tube and firmly push it over the spout of the air switch, which is located on the underside of the waste disposer.

NOTE: You must have access to an earth (grounded) wall socket. Any additional socket should be fitted by a qualified electrician and properly earthed (grounded). The disposer is fitted with a molded plug and cable.

10 WARRANTY TERMS

This warranty is for a period of 6 years against manufacturing defects from the date of original purchase. Subject to the following terms and conditions.
1. The Warranty card is to be completed, signed by the dealer immediately on purchase.
2. The Waste disposer is to be installed by its Authorized Service person and serviced by the Company Regional Service Centre or authorized service Centre only.
3. The Customer shall carry the Waste disposer to the nearest Company Regional Service Centre or Authorized Service Centre or purchased Dealer point as his/her own cost and risk.
4. The company shall make all endeavors/ attempts to carry out the service/replacement under this warranty at the earliest, but shall not be obliged to do so within any specified time.
5. The warranty will continue and remain in force only for the unexpired period of the original warranty, in regards to the Repair/Replacement of parts of the Waste Disposer.

- The Waste Disposer shall be used strictly for domestic purpose in accordance with the user's manual.
- The Company shall not be held liable for any accident, loss or damage (direct or indirect) to person or property caused by reason of:
Installation/Repair/Service attended by unauthorized service person.
Overloading/Misuse/abuse and negligence on the part of the person using the Waste Disposer.
Defects caused by improper/reckless fittings and usages.
Use of chemicals, spurious spares or old, non-genuine spares.
Failure to comply with any safety precaution or maintenance tip suggested by the company.
Original serial number is deleted/defected or altered.
In case the warranty is void due to any of the reasons listed above, the customer shall be liable to pay the cost of all the spares and service charges.
- The warranty does not cover damages due to negligence mishandling, breakage of glass/Abc body, dents of body and breakage/fuse of lighting parts.
- The company shall not be responsible for any special consequential damages or loss arising directly or indirectly for any delay in the performance of this warranty.
- The company reserves the right to retain any part or component at the regional service centre/branches or authorized service centre or at its workshop and shall effect repairs/ replacement of parts or components at its sole discretion.
- This warranty shall not in any case extend towards payment or any monetary consideration whatsoever, and shall be limited to the product replacement only.
- Electrical appliances are prone to voltage fluctuation risks, therefore precaution should be taken before every use. Company shall not be responsible for any damage to electrical parts viz. coil, motor etc. arising out of this problem.
- The decision of the company is final in all cases of complaints.
- The company will not be responsible for delay in service of the appliance or complaint resolution if it is due to reasons beyond its control.
- These products are not for use by children. The company is not liable for any damages or physical injury arising out of improper use, modification or alteration of the product or due to unauthorized spares use and poor maintenance of this product.

WARRANTY CARD

NAME OF DEALER	
BILL NO. & DATE	
PRODUCT & MODEL NAME	
CUSTOMER'S NAME	
ADDRESS & TEL NOS	
DEALER'S ADDRESS & STAMP	
INSTALLED BY NAME	
INSTALLED DATE & REG.NO	

11 TROUBLESHOOTING TIPS

Problem	Possible Causes	What To Do
Loud noises (other than those during grinding of bonesandfruits)	Silverware, bottle cap or other foreign object has fallen into the	Remove the splash guard and remove the object with long-handled tongs. Replace the splash guard.
Reset button has been tripped.	With the splash guard removed, check to see if the turntable will move freely using a broom handle. If the turntable moves freely, replace the splash guard and check the reset button to see if it has been tripped. The reset button is red and located opposite the discharge elbow, near the bottom of the disposer. Push the button in until it clicks and remains depressed. If the reset button has not been tripped, check for a shorted or broken wire connecting to the disposer. Check the electrical power switch, fuse box or circuit breaker. If wiring and electrical components are intact, the unit may have internal problems that require service or replacement.	Reset Button
Disposer does not start	Turntable can not rotate.	If the turntable does not turn freely, check for an object lodged between the turntable and the grind ring. Dislodge the object by moving the turntable with a broom handle. Then remove the object. If no foreign object is present, there may be internal problems.

- The Labour charges shall be payable by the customer after 12 months from the date of purchase.
- What we will charge or not covered during warranty period:-**
Re installation or service trips to your home to teach how to use the product.
Incidental or consequential damage caused by possible defects with this appliance.
Failure of the product if it is abused, misused, or used for other than the intended purpose or used commercially.
Replacement of house fuses or resetting of circuit breakers.
Product not accessible to provide required service.