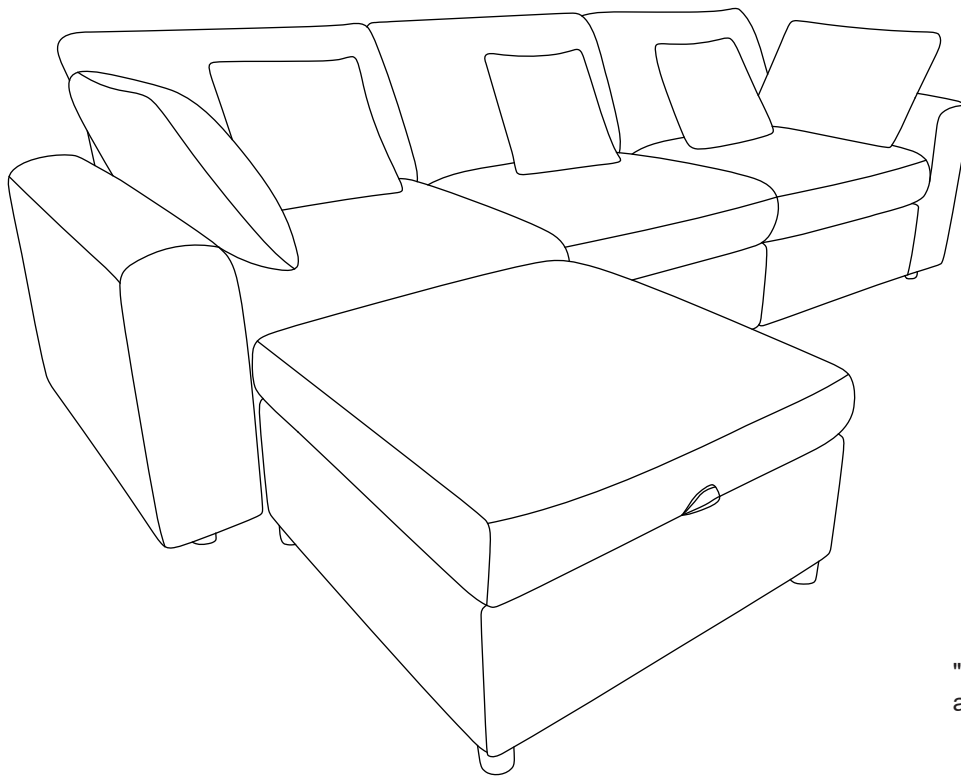
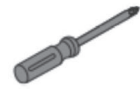


ASSEMBLY INSTRUCTIONS

Pure Cloud Sofa



TOOLS REQUIRED



Screwdriver
(Not included)



(Included)
Allen Wrench



2 - People

"Please make sure you have received all the packages before installing!"



Questions or Comments?
We're here to help!
Reach out for expert support:



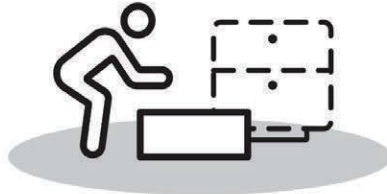
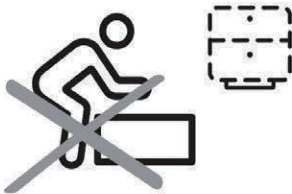
PRE ASSEMBLY INTRODUCTION

We understand building ready-to-assemble furniture can be a challenging experience for some. To help avoid confusion, we have provided some helpful tips that may speed up the process.



Teamwork

ALWAYS have at least two people to help with transporting and assembling the product to avoid potential injury and/or damage.



Suitable Location

Assembling near the area of the intended location is highly recommended.



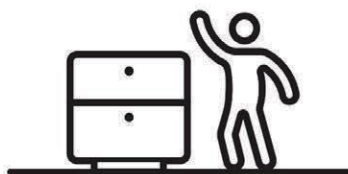
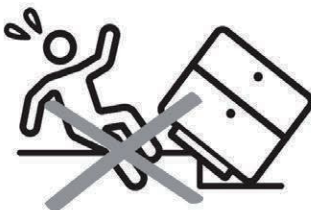
Sufficient Space

Make sure you have enough space to move around during the assembly.



Avoid Scratches

Use cardboard, blankets or a carpeted area while assembling furniture to prevent scratches and damages.



Flat Surface

Make sure the furniture rests on a flat and level surface with each leg evenly touching the floor.

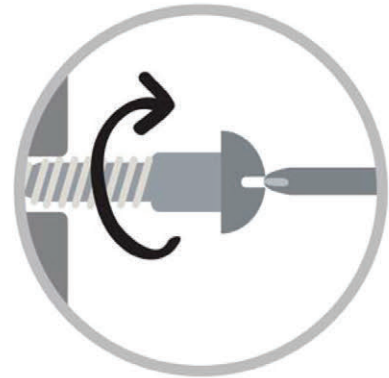
ASSEMBLY AND CARE ADVICE



FAILURE TO FOLLOW THE GUIDELINES BELOW MAY RESULT IN INJURY AND/OR PROPERTY DAMAGE.



Position each part correctly and insert screws or bolts into their respective holes.



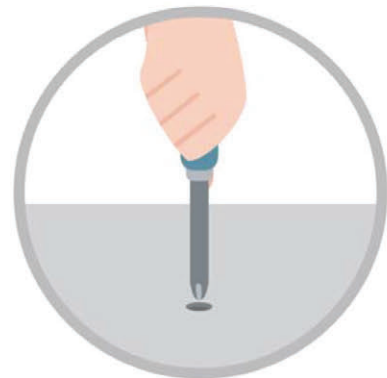
Turn clockwise to tighten and only tighten when step is completed or when instructed to do so.



Use the appropriate hand tools or power tools for assembly. Select steps, such as tightening screws and/or bolts, may require hand tools to avoid causing damage during assembly.



Save the instructions and store any supplied tools for later maintenance.

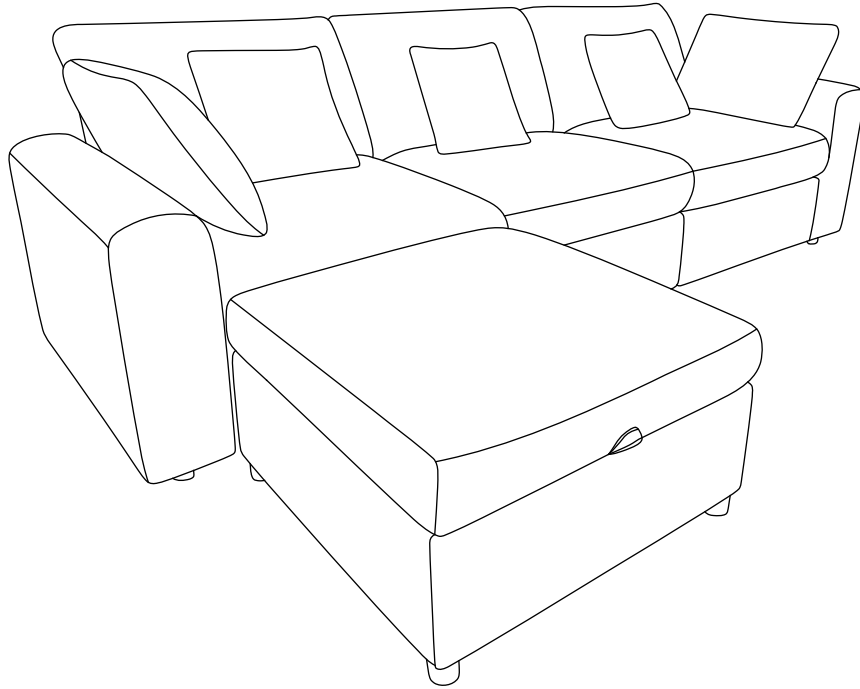


After two weeks, check and tighten any loose hardware and repeat again every six months thereafter.

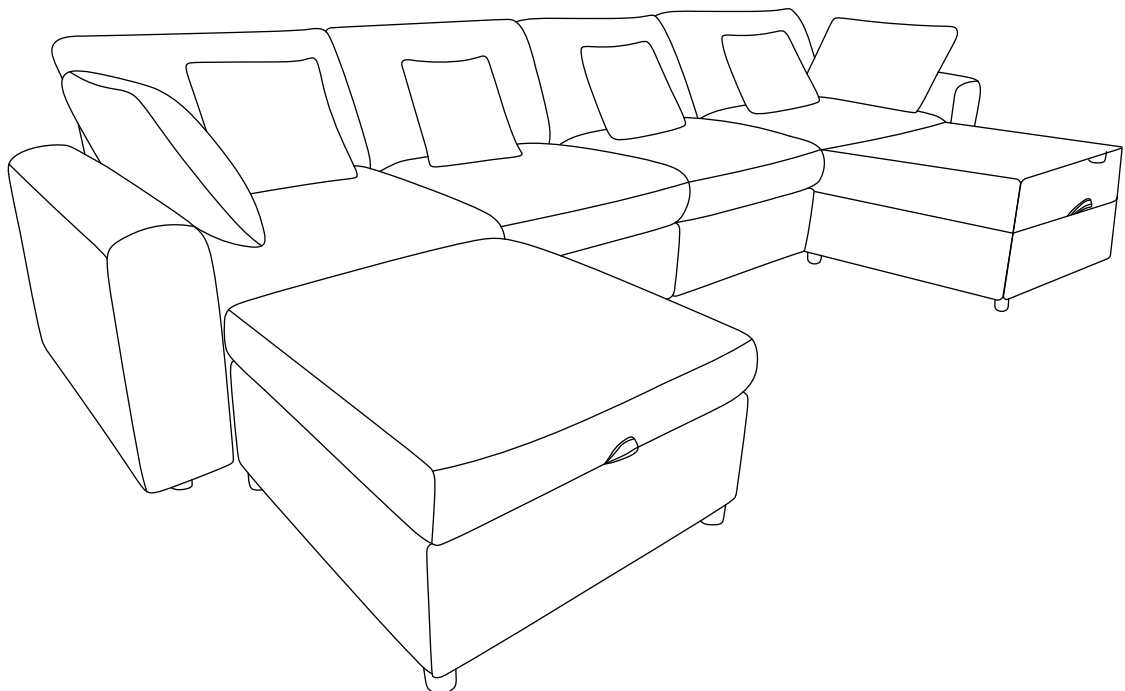
IT IS THE USER'S RESPONSIBILITY TO MAINTAIN THE FURNITURE. THE HARDWARE MAY LOOSEN OVER TIME AND MAY CAUSE THE FURNITURE TO BE WOBBLY AND UNABLE TO SUPPORT ITS INTENDED WEIGHT CAPACITY. THIS MAY LEAD TO COLLAPSE AND MAY CAUSE SERIOUS INJURY.

Many Different Sectional

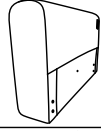
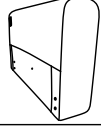
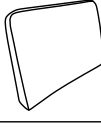



3+1Seats(A+B+C)




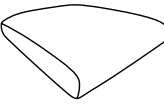
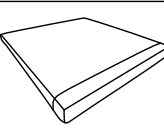
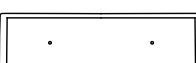
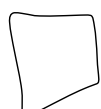
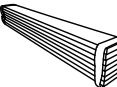
4+2Seats(A+B+C+C)

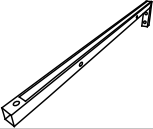
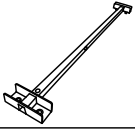

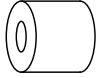








Box A (Armrest)


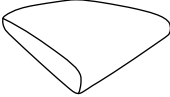
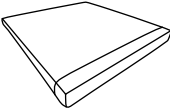

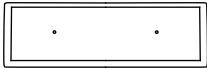
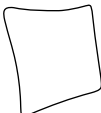
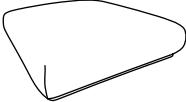
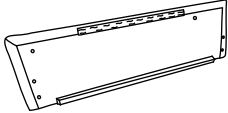
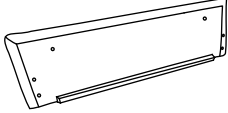
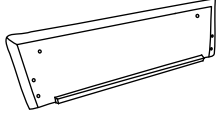
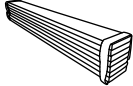
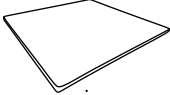
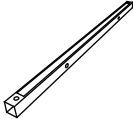
LABEL		DESCRIPTION	QTY
A1		Left armrest	1
A2		Right armrest	1
D		Backrest pad	2
F1		Armrest pillow	2
S		Short feet	4
T		Plastic gasket	4

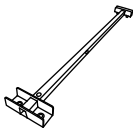

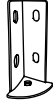






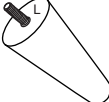



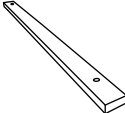
Box B (Bilateral location)

LABEL		DESCRIPTION	QTY
B		Backrest	2
C1		Main seat cushion	2
C2		Sub-seat cushion	2
E		Front seat baffle	2
F2		Throw pillow	2
I		Wooden slat	2

K1		L-shaped square tube	4
L		Connecting pipe	1
M1		Support pipe	2
M2		Rubber gasket	2
O3		M8x45mm Bolt	22+1
O4		M8x60mm Bolt	1+1
P		Gasket	24+1
Q		Butterfly nut	1+1
R		Tall feet	2
V		Wrench	1

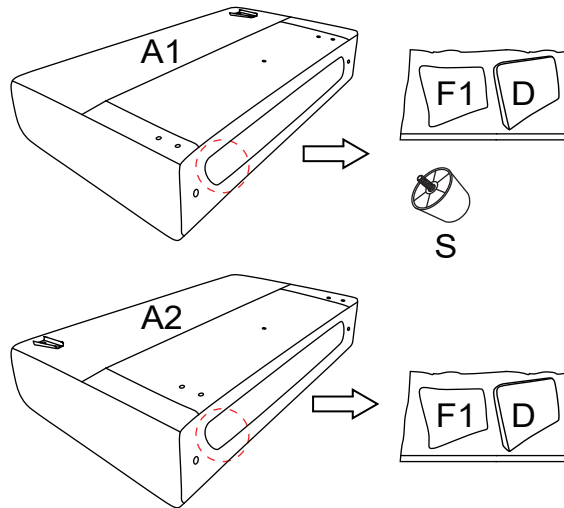
Box C (Median+pedal)

LABEL		DESCRIPTION	QTY
B		Backrest	1
C1		Main seat cushion	1
C2		Sub-seat cushion	1
D		Backrest pad	1
E		Front seat baffle	1
F2		Throw pillow	1
G		Footrest cushion	1
H1		80cm Rear panel	1
H2		80cm Front panel	1
H3		75cm Side panel	2
I		Wooden slat	1
J		Base plate	1
K2		Central square tube	2

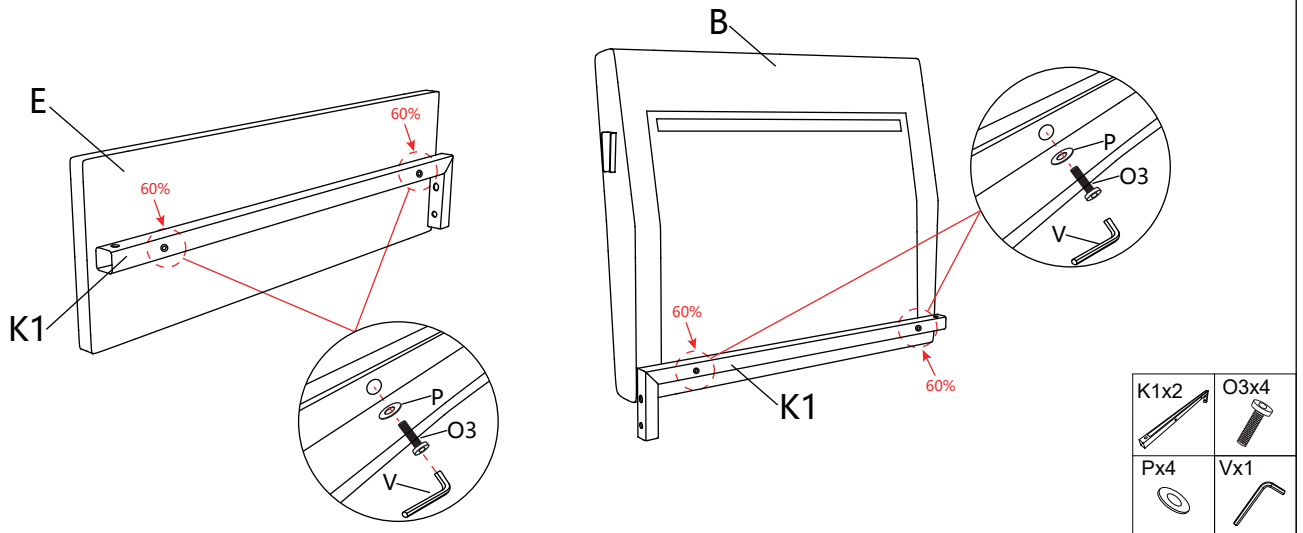
L		Connecting pipe	1
M1		Support pipe	1
N		Fastener	4
O1		M8x20mm Bolt	16+1
O2		M8x40mm Bolt	8+1
O3		M8x45mm Bolt	8+1
O4		M8x60mm Bolt	1+1
P		Gasket	34+1
Q		Butterfly nut	1+1
R		Tall feet	2
S		Short feet	4
T		Plastic gasket	4
V		Wrench	1
W		Partition strip	4

Note: The installation steps for 4+2 start from page 15!

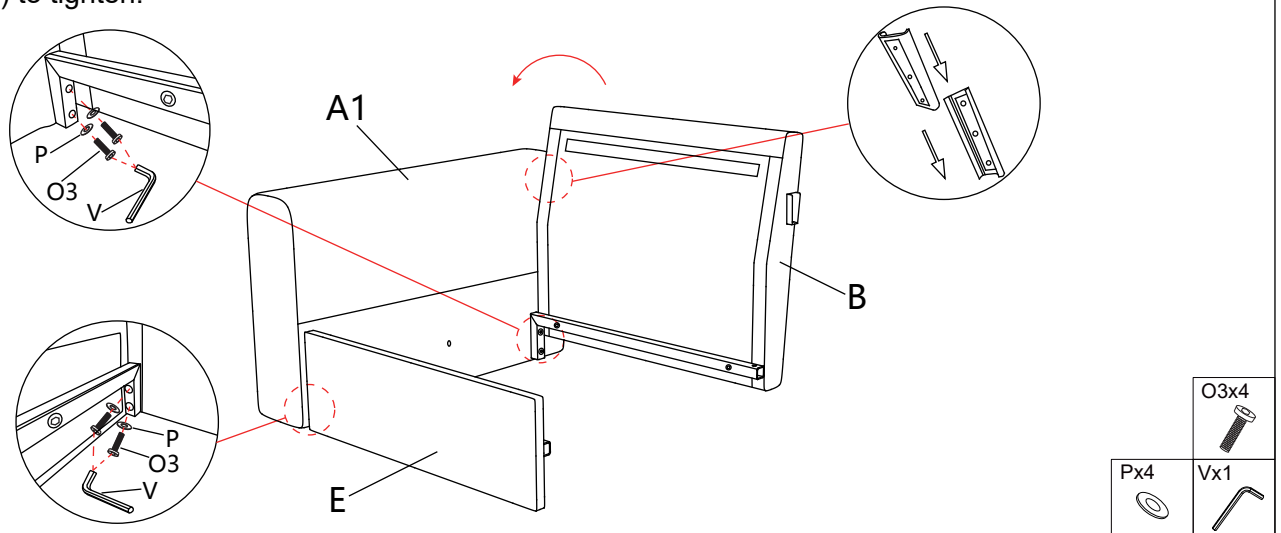
Step 1: Take out all the compression bags from the box and open them all. Place all the sponge pads aside and gently pat them, then wait for the sponges to rebound. Note: Be careful not to scratch the interior of the sponge with sharp objects. Remove the compression bag and sofa legs from the bottom of the armrests.



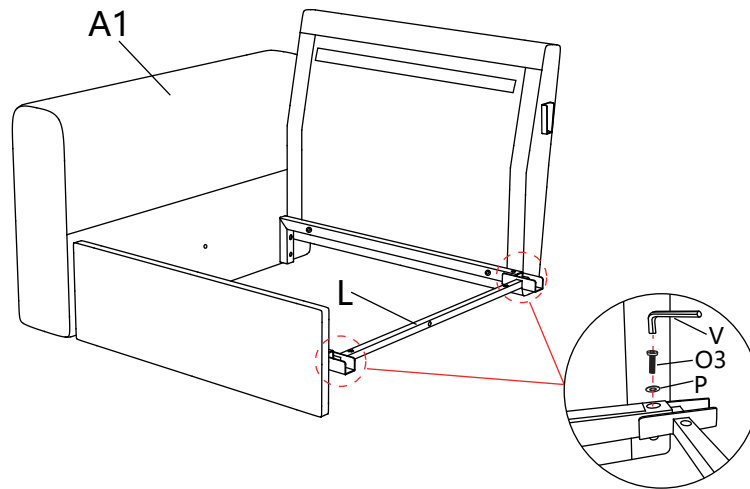
Step 2: Install two L-shaped square tubes (K1) at the holes on the front guard plate (E) and the backrest (B), and fasten them 60% with gaskets (P), M8*45mm bolt (O3), and a wrench (V).



Step 3: Install the backrest (B) insert onto the left armrest (A1) insert, and after tightening the backrest formula tube, install the front baffle (E) of the seat. Use a gasket (P), M8*45mm bolt (O3) and a wrench (V) to tighten.

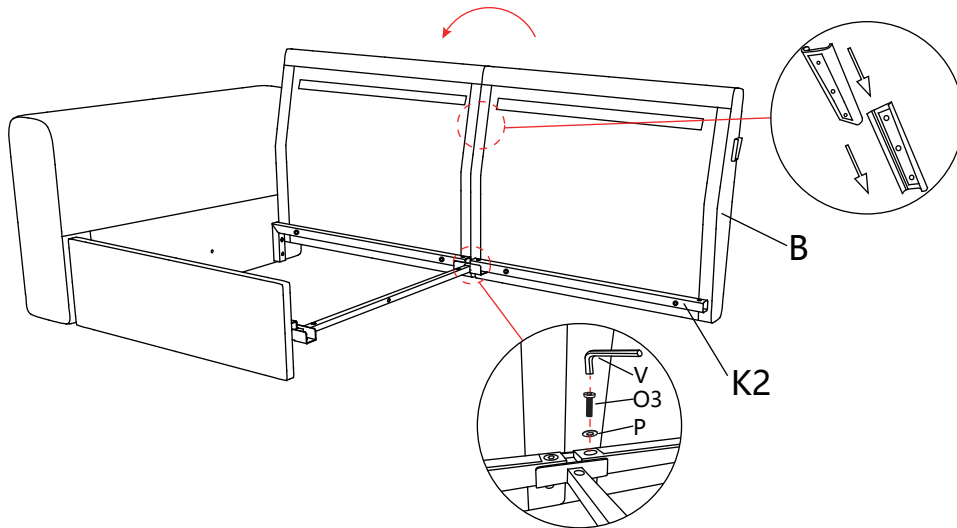


Step 4: Install the connecting pipe (L) on the other side of the backrest and the front baffle of the seat, and tighten it with a gasket (P) M8*45mm bolt(O3) and a wrench (V).



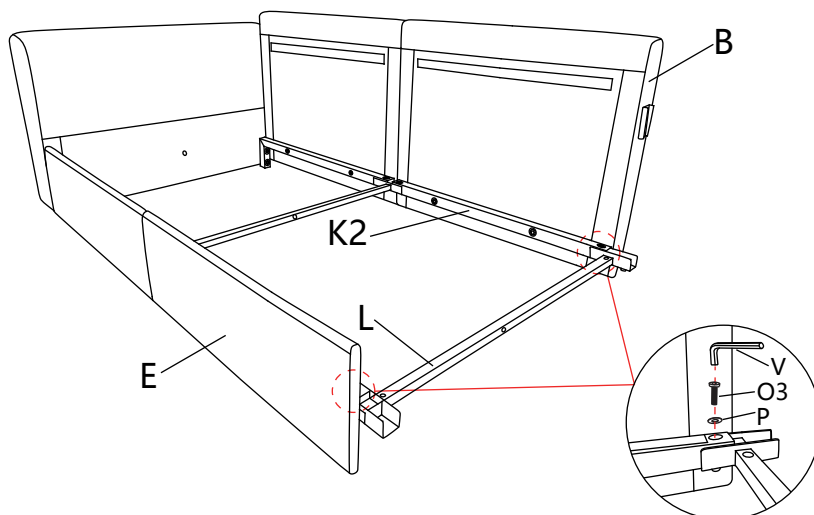
Lx1	O3x2
Px2	Vx1

Step 5: Repeat step 2 to install the Central square tube (K2) on the backrest (B). The Central square tube and the connecting tube are installed and tightened using the gasket (P) M8*45mm bolt(O3) and the wrench (V).



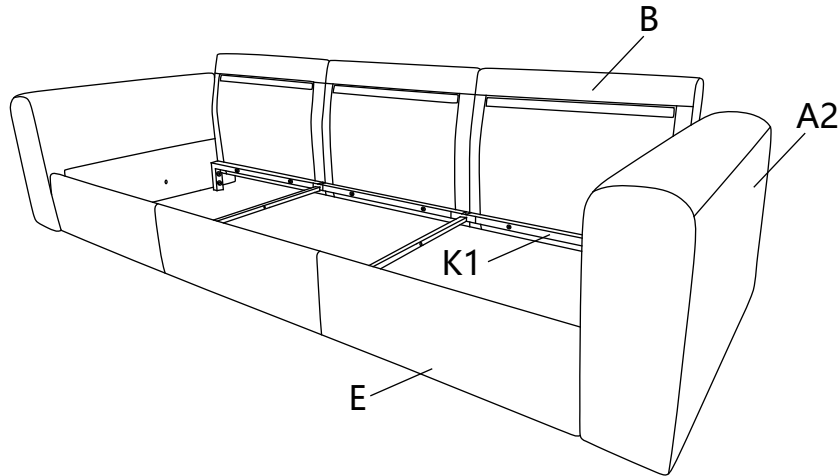
Kx1	O3x1
Px1	Vx1

Step 6: Repeat the previous installation method to complete the installation of the front seat baffle (E) and the connecting pipe (L), and tighten them with gasket (P) M8*45mm bolt(O3) and wrench (V).

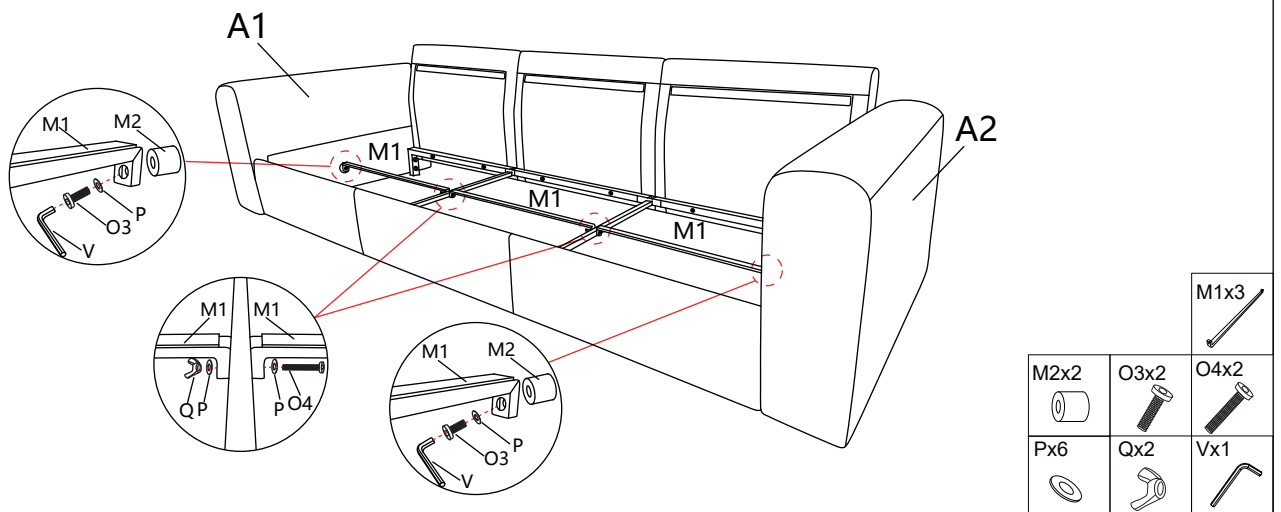


Lx1	O3x2
Px2	Vx1

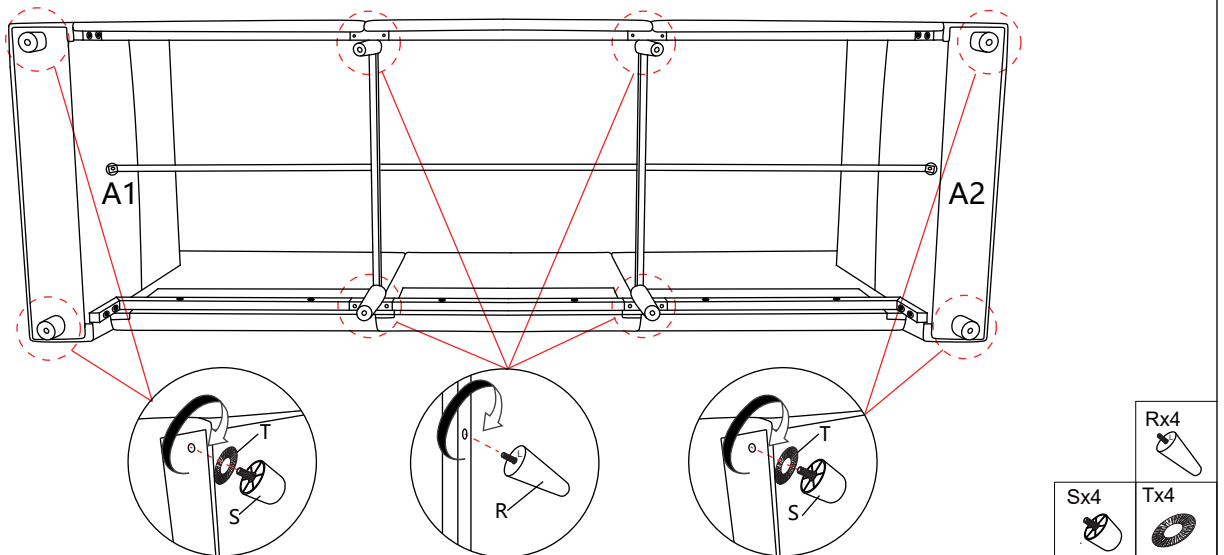
Step 7: After completing the installation of the right handrail (A2) by repeating the previous installation method, tighten all the marked bolts to 100%.



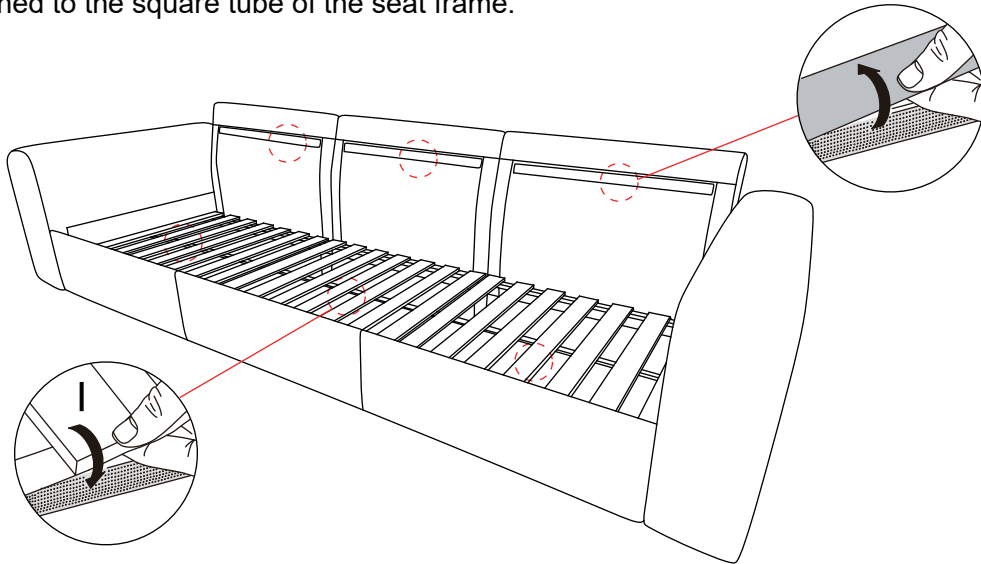
Step 8: Install the support pipe (M1), and secure it at the handrail end with a rubber gasket (M2) and M8*45mm bolt(O3). For connection to the middle position, a butterfly nut (Q) and M8*60mm bolt(P) should be used for fastening. Note: Don't forget to use the gasket (P).



Step 9: Flip the seat frame and install four low feet (S) at the bottom of the two handrails and four high feet (R) at the bottom of the connecting pipe (L). Note: Don't forget to use plastic gaskets (T).



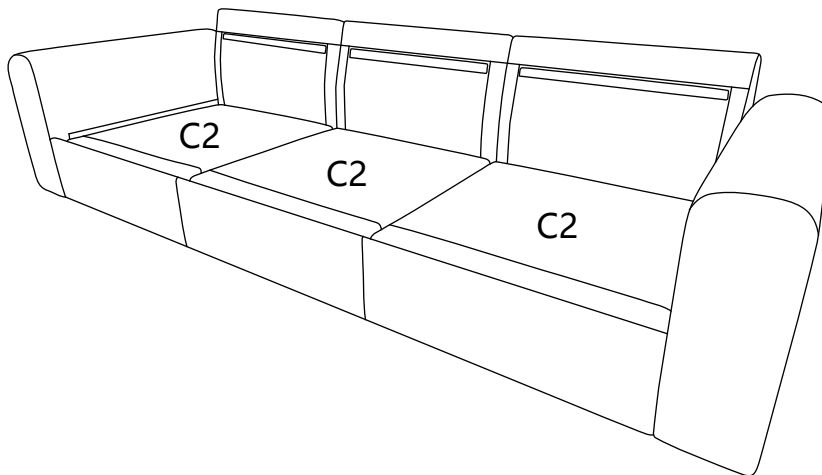
Step 10: Remove the adhesive tape on the backrest (B) and ensure that the Velcro at the wooden slat (I) is fully attached to the square tube of the seat frame.



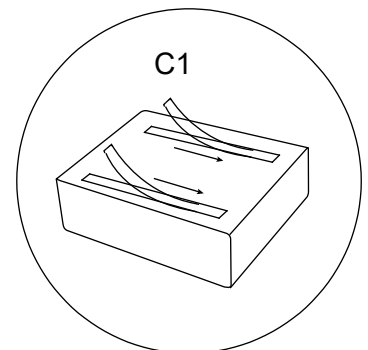
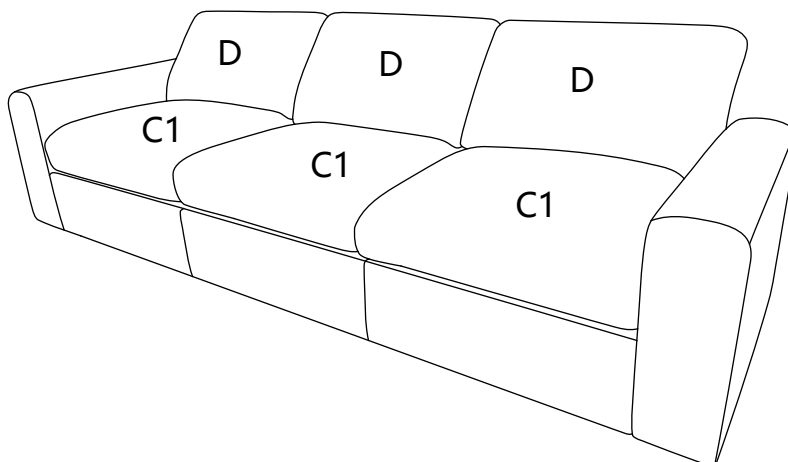
1x3



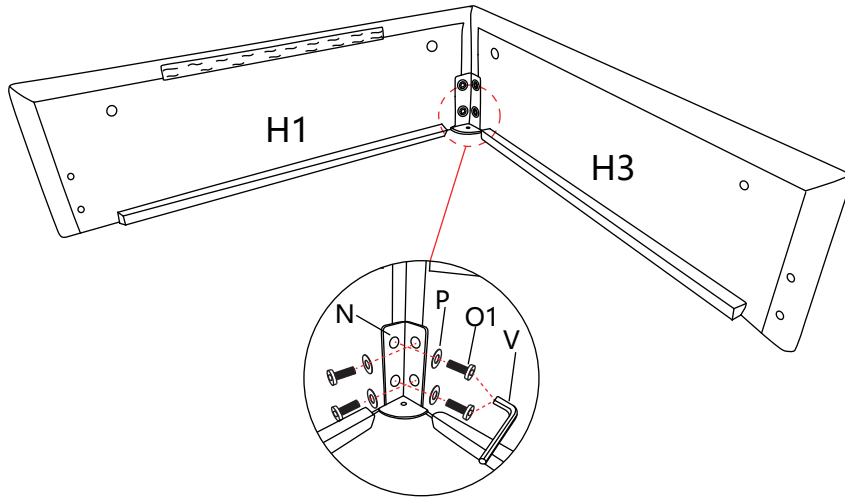
Step 11: Place three secondary seat cushions (C2) above the wooden slats.



Step 12: Remove the adhesive cloth at the bottom of the three main seat cushions (C1) and place them above the secondary seat cushions. Then, place the three backrest cushions (D).

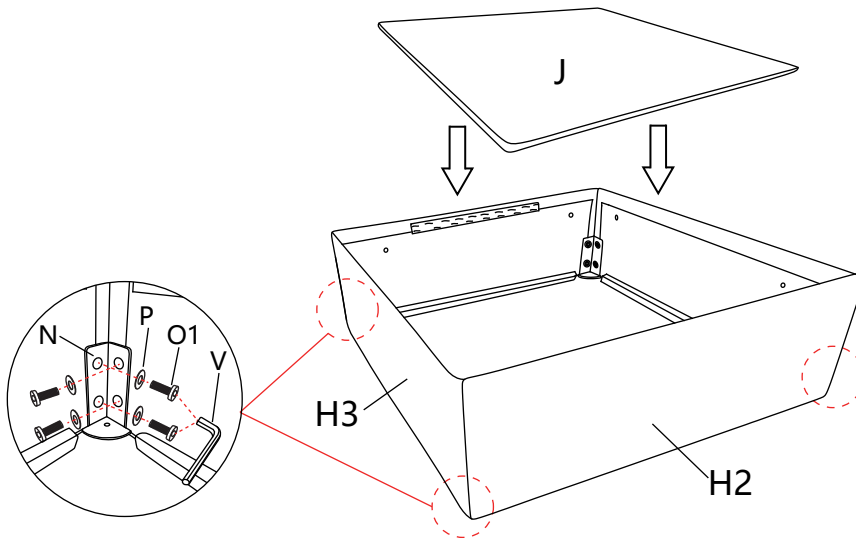


Step 13: Locate the 80cm Rear panel (H1) and 75cm Side panel (H3) installation fasteners (N), and fasten them with M8*20mm bolt(O1) and a wrench (V). Note: Don't forget to use the gasket (P).



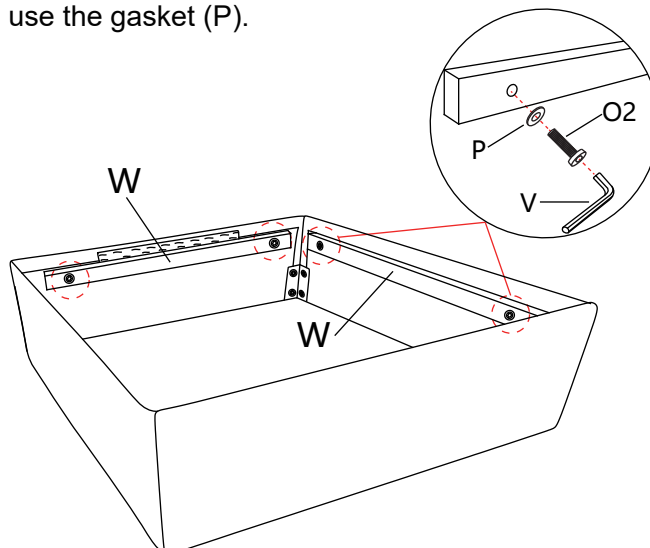
Nx1	O1x4
Px4	Vx1

Step 14: Repeat step 13 installation to complete the installation of the remaining 80cm Front panel (H2) and 75cm Side panel (H3), and then place the Base plate (J).



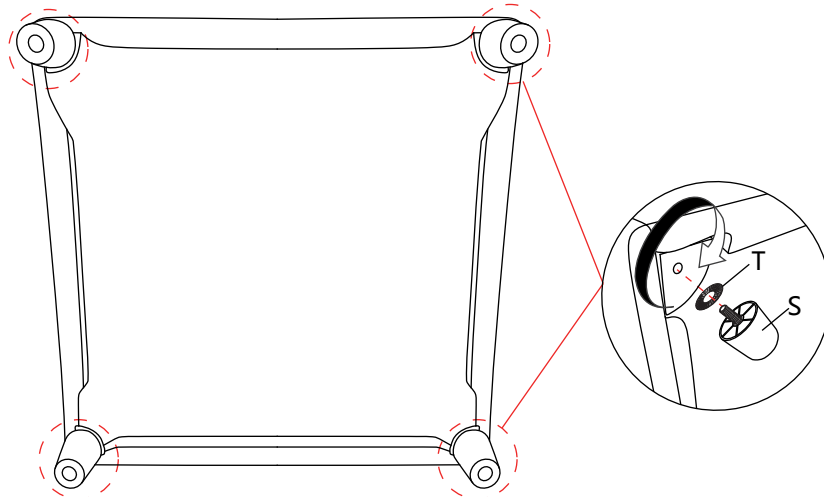
Nx3	O1x12
Px12	Vx1

Step 15: After completing the installation of the footrest frame, locate the partition strip (W) and install it on the inner side of the four Rear panels. Use M8*40mm bolt(O2) and a wrench (V) to tighten it. Note: Don't forget to use the gasket (P).

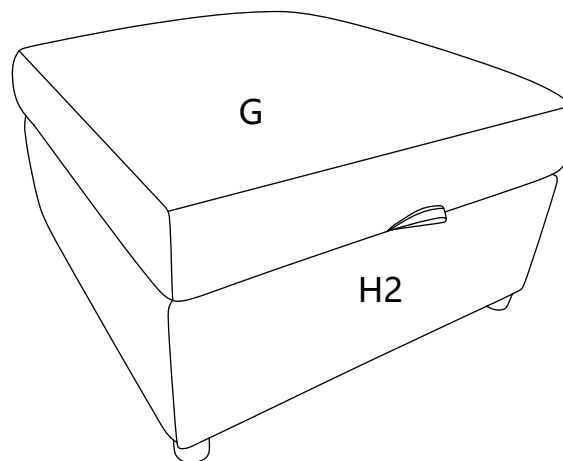


Wx4	O2x8
Px8	Vx1

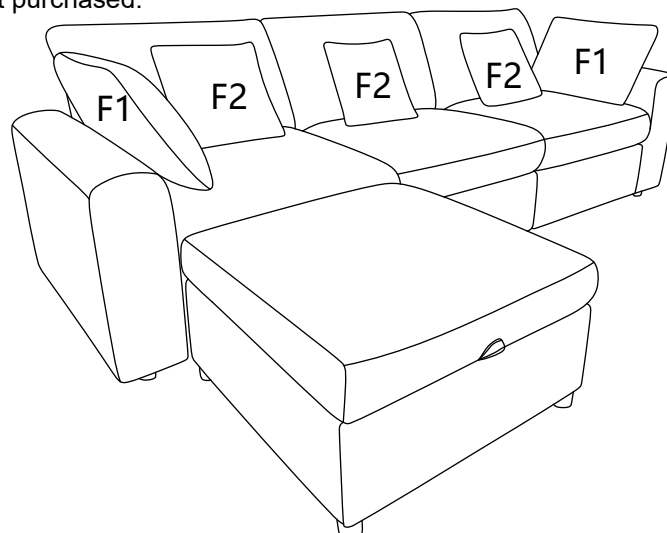
Step 16: Turn the foot pedal frame over to the bottom and screw on the low feet (S) at the four fasteners.
Note: Don't forget to use plastic gaskets (T) .



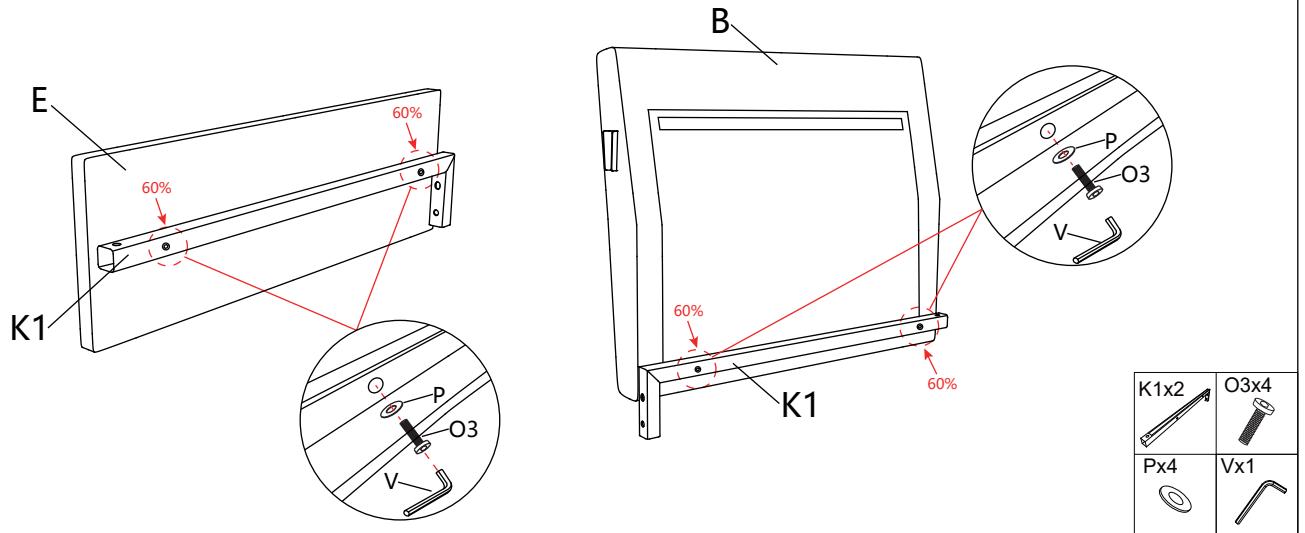
Step 17: After all the installation of the footrest frame is completed, place the footrest pad (G) on top.



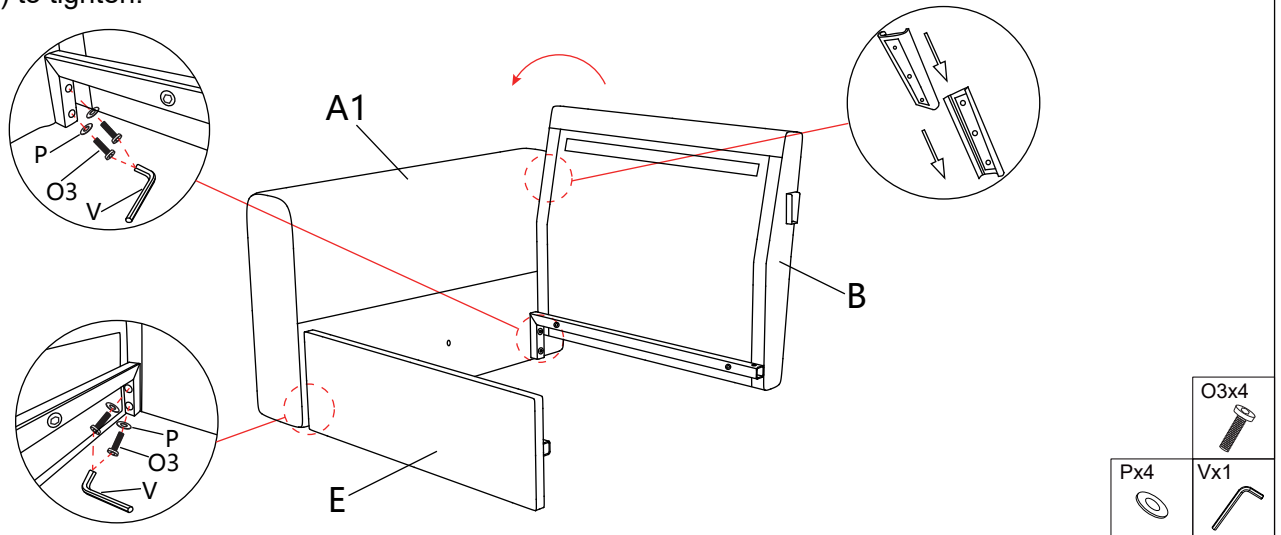
Step 18: Combine the seat frame and footrest as shown in the following picture, and finally place the armrest pillow (F1) and throw pillow (F2) properly. This product can be used in multiple combinations based on the quantity of the same product purchased.



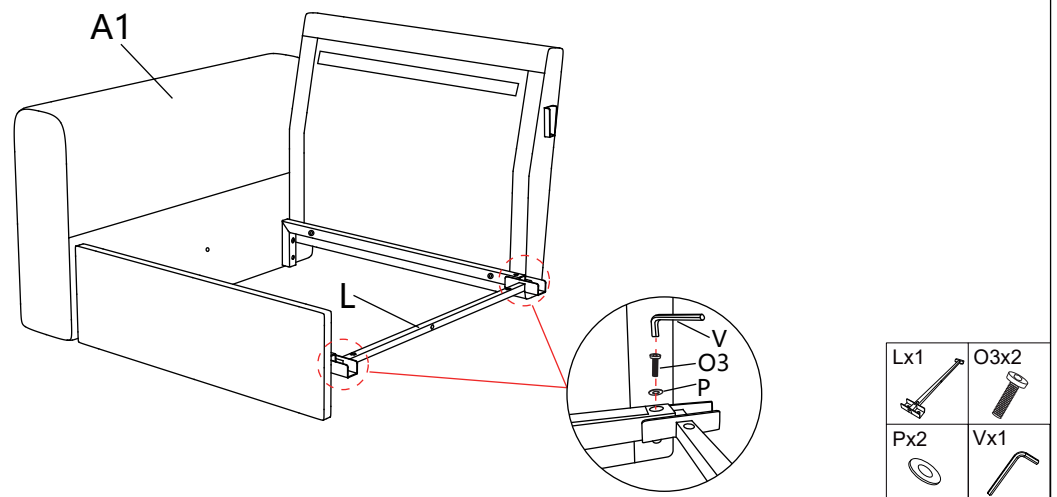
Step1: Install two L-shaped square tubes (K1) at the holes on the front guard plate (E) and the backrest (B), and fasten them 60% with gaskets (P), M8*45mm bolt(O3), and a wrench (V).



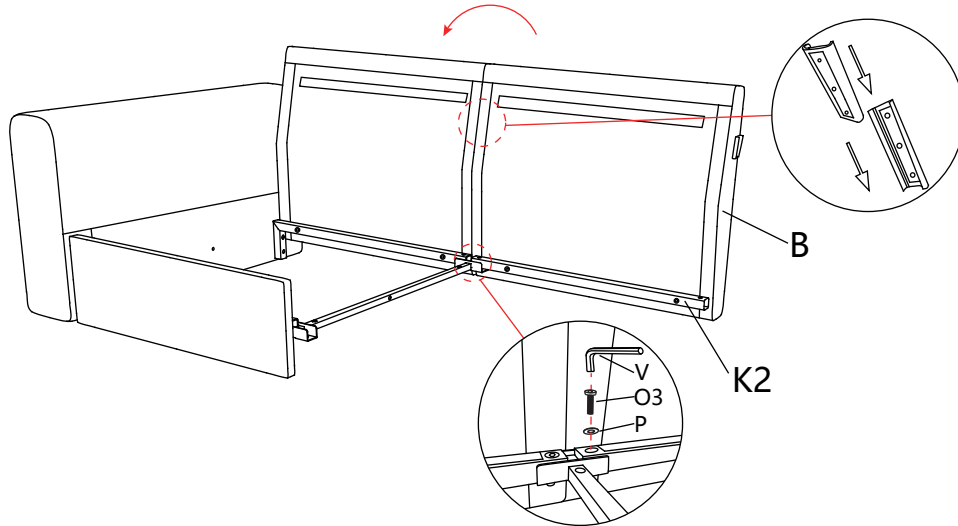
Step2: Install the backrest (B) insert onto the left armrest (A1) insert, and after tightening the backrest formula tube, install the front baffle (E) of the seat. Use a gasket (P), M8*45mm bolt(O3) and a wrench (V) to tighten.



Step 3: Install the connecting pipe (L) on the other side of the backrest and the front baffle of the seat, and tighten it with a gasket (P) M8*45mm bolt(O3) and a wrench (V).

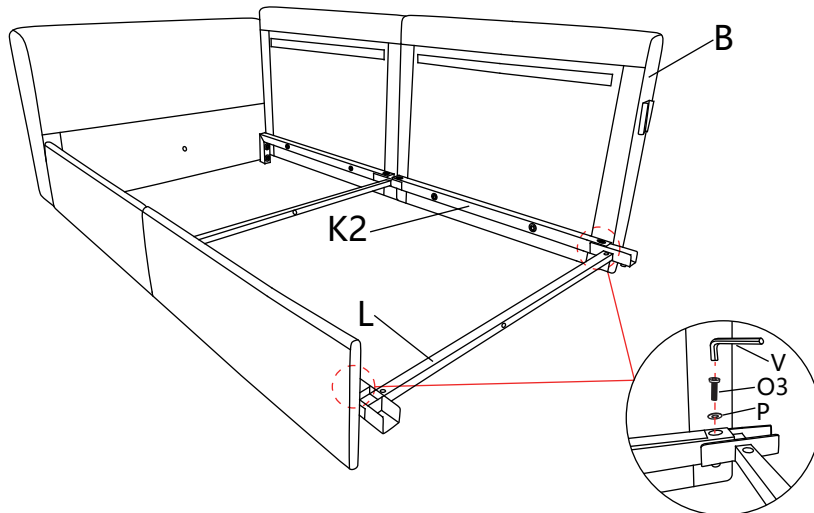


Step 4: Repeat step 2 to install the Central square tube (K2) on the backrest (B). The Central square tube and the connecting tube are installed and tightened using the gasket (P) M8*45mm bolt(O3) and the wrench (V).



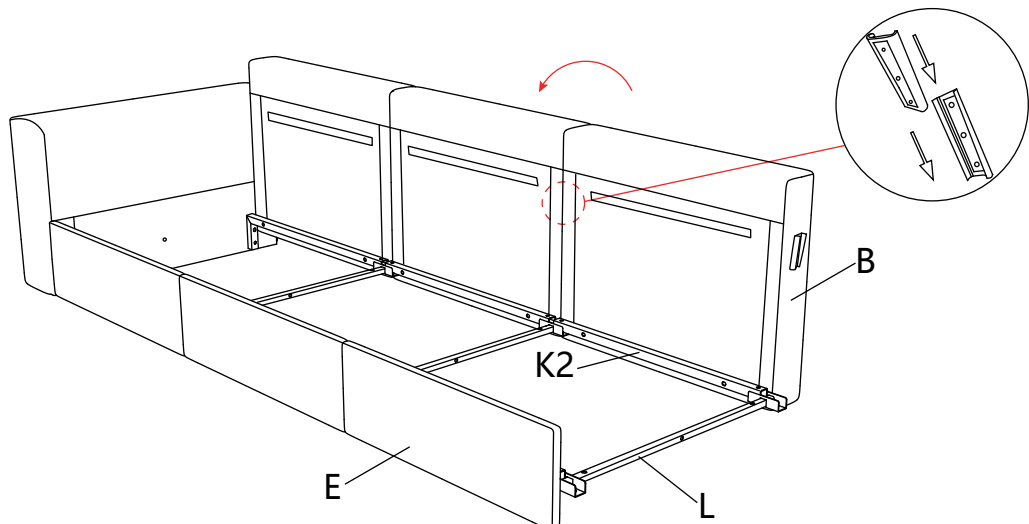
Kx1	O3x1
Px1	Vx1

Step 5: Repeat the previous installation method to complete the installation of the front seat baffle (E) and the connecting pipe (L), and tighten them with gasket (P) M8*45mm bolt(O3) and wrench (V).

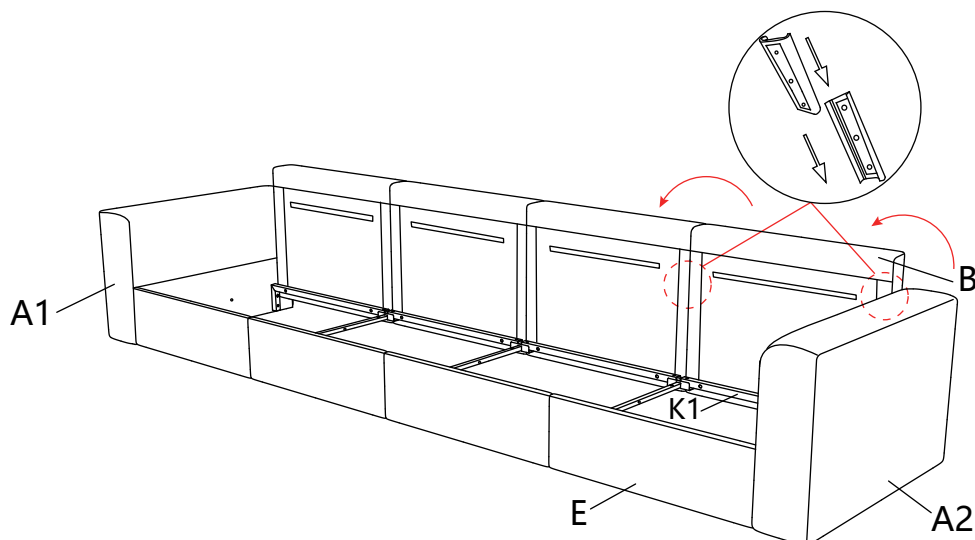


Lx1	O3x2
Px2	Vx1

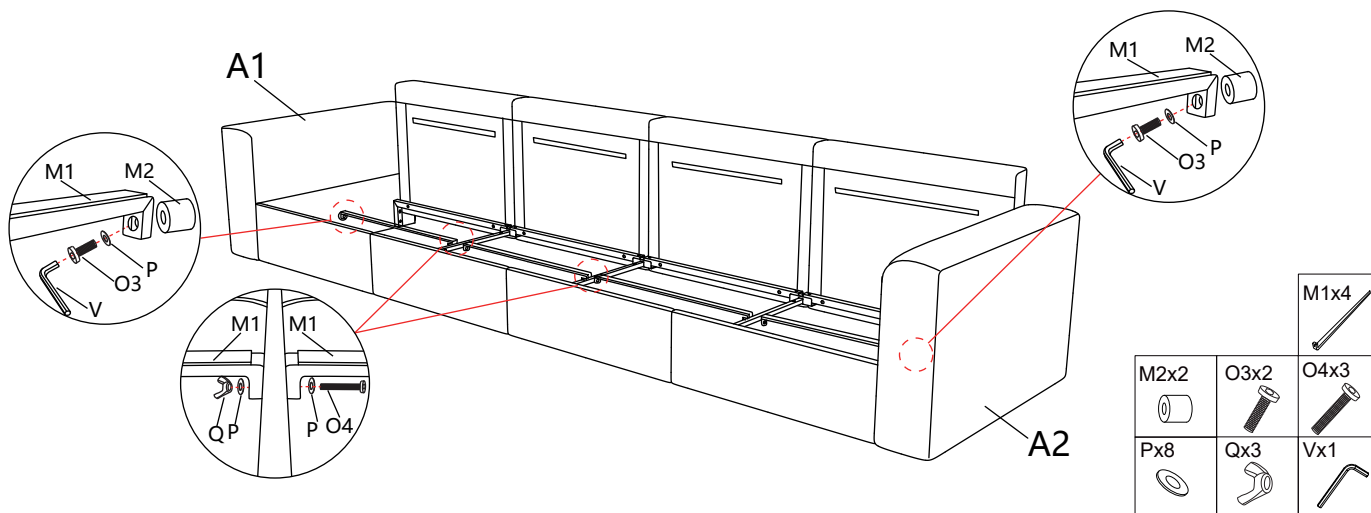
Step 6: Repeat the previous installation steps to complete the second median installation.



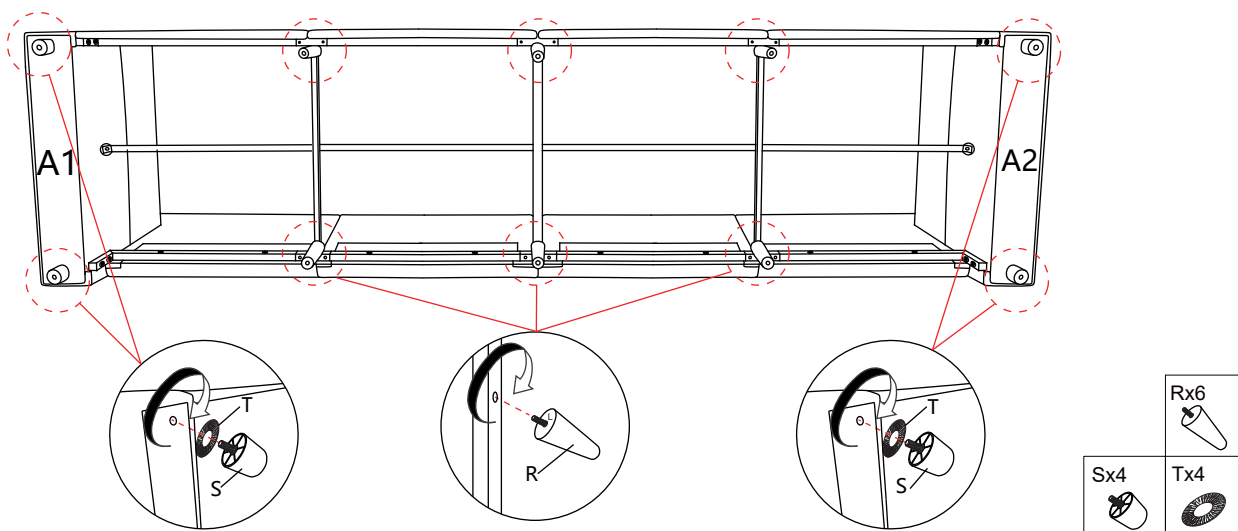
Step 7: Repeat the installation steps of the left handrail (A1) to complete the seat frame installation of the right handrail (A2).



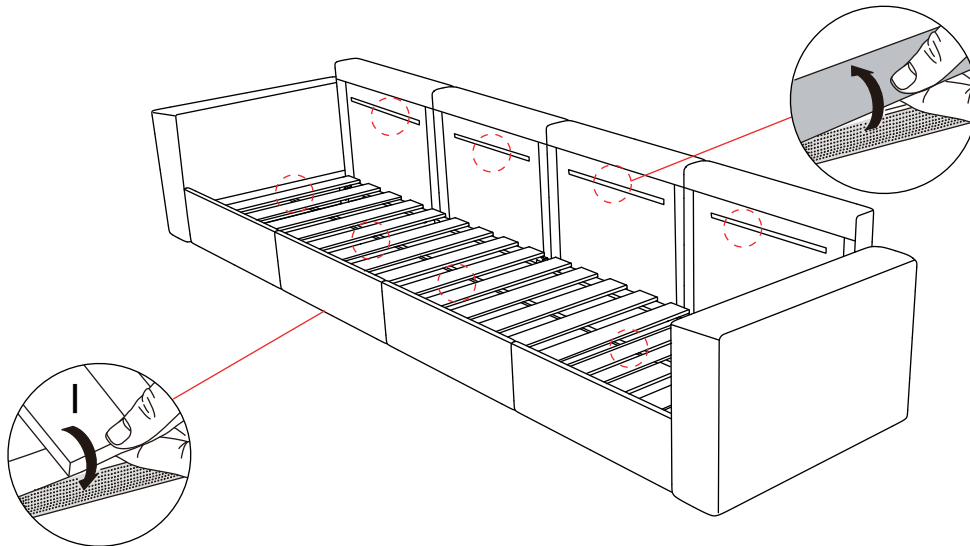
Step 8: Install the support pipe (M1), and secure it at the handrail end with a rubber gasket (M2) and M8*45mm bolt (O3). For connection to the middle position, a butterfly nut (Q) and M8*60mm bolt (P) should be used for fastening. Note: Don't forget to use the gasket (P).



Step 9: Flip the seat frame and install four low feet (S) at the bottom of the two handrails and four high feet (R) at the bottom of the connecting pipe (L). Note: Don't forget to use plastic gaskets (T).



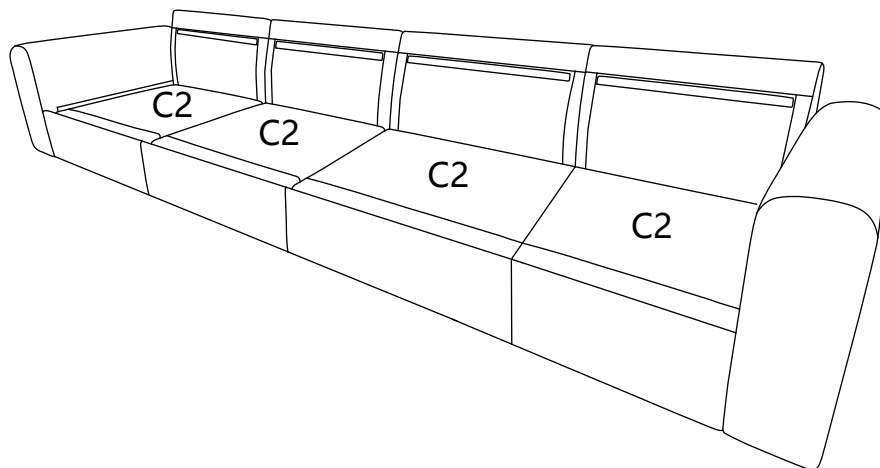
Step 10: Remove the adhesive tape on the backrest (B) and ensure that the Velcro at the wooden slat (I) is fully attached to the square tube of the seat frame.



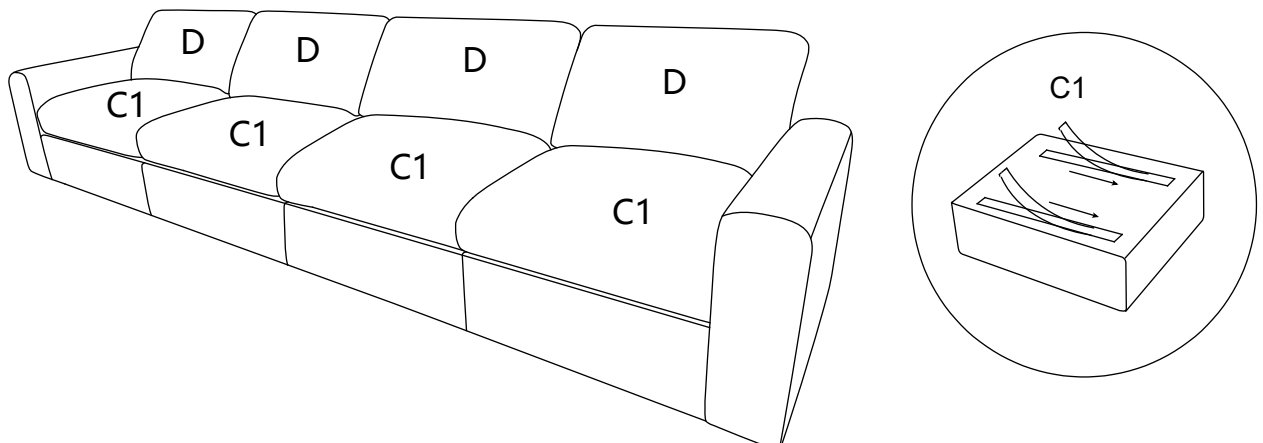
1x4



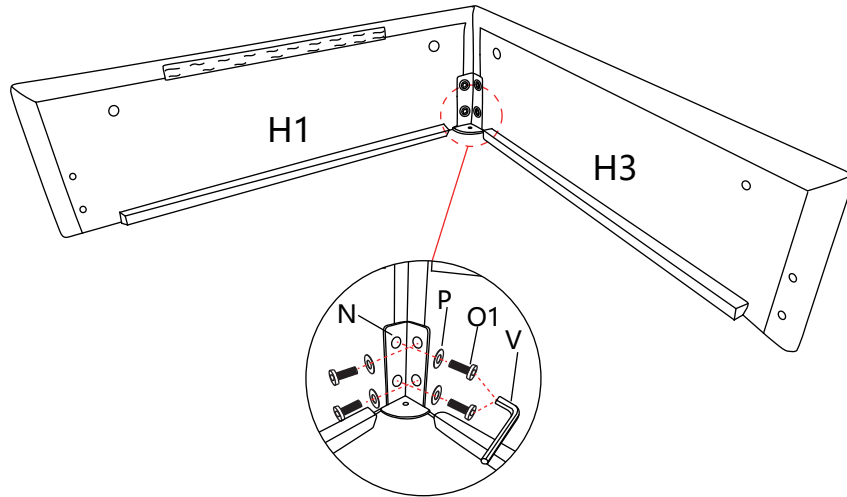
Step 11: Place four secondary seat cushions (C2) above the wooden slats.



Step 12: Remove the adhesive cloth at the bottom of the four main seat cushions (C1) and place them above the secondary seat cushions. Finally, place the four backrest cushions (D).

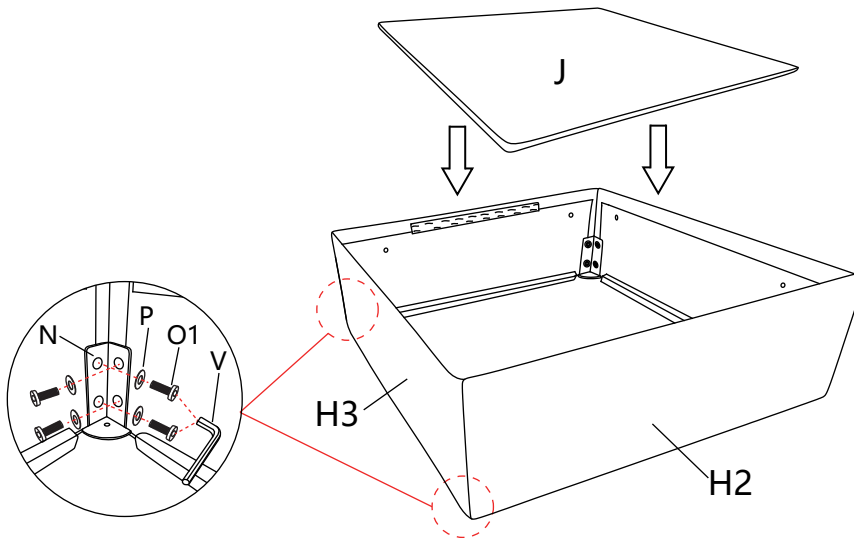


Step 13: Locate the 80cm Rear panel (H1) and 75cm Side panel (H3) installation fasteners (N), and fasten them with M8*20mm bolt(O1) and a wrench (V). Note: Don't forget to use the gasket (P).



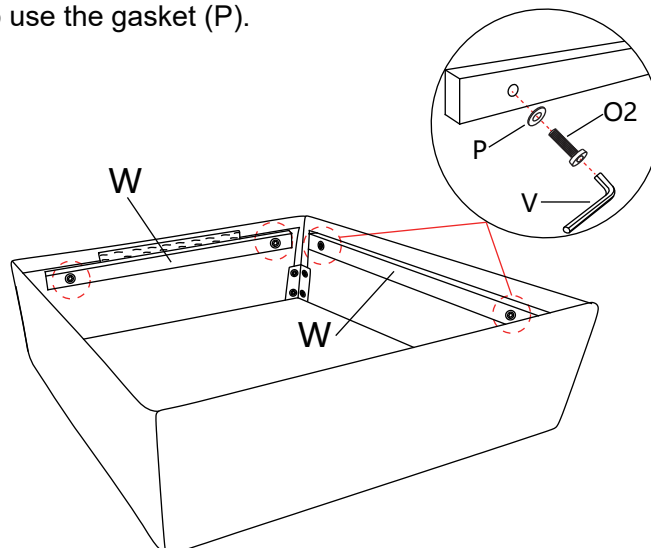
Nx1	O1x4
Px4	Vx1

Step 14: Repeat step 13 installation to complete the installation of the remaining 80cm Front panel (H2) and 75cm Side panel (H3), and then place the Base plate (J).



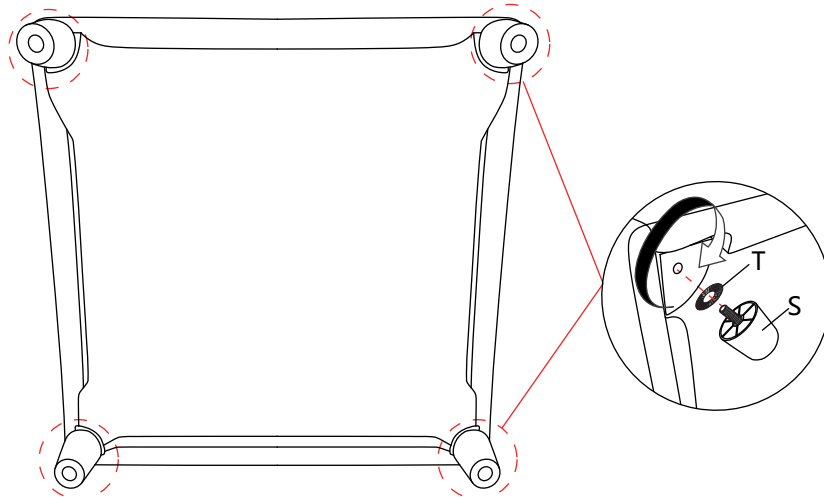
Nx3	O1x12
Px12	Vx1

Step 15: After completing the installation of the footrest frame, locate the partition strip (W) and install it on the inner side of the four Rear panels. Use M8*40mm bolt(O2) and a wrench (V) to tighten it. Note: Don't forget to use the gasket (P).

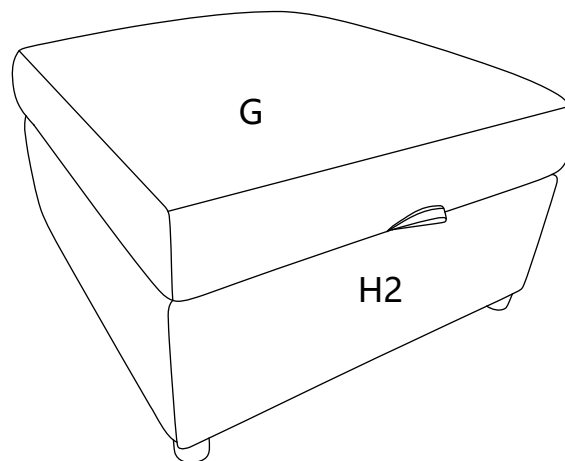


Wx4	O2x8
Px8	Vx1

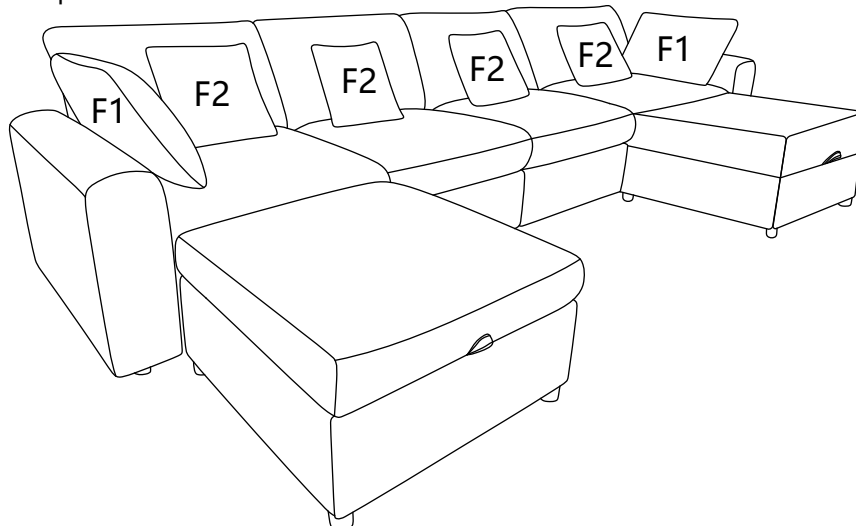
Step 16: Turn the foot pedal frame over to the bottom and screw on the low feet (S) at the four fasteners.
Note: Don't forget to use plastic gaskets (T) .

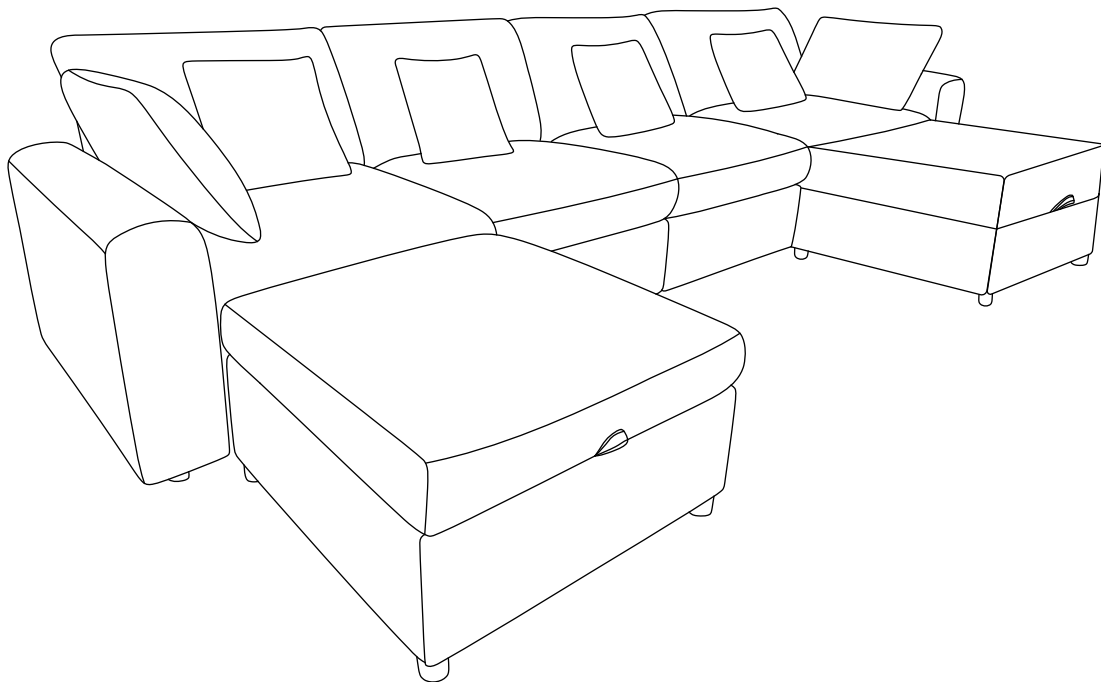
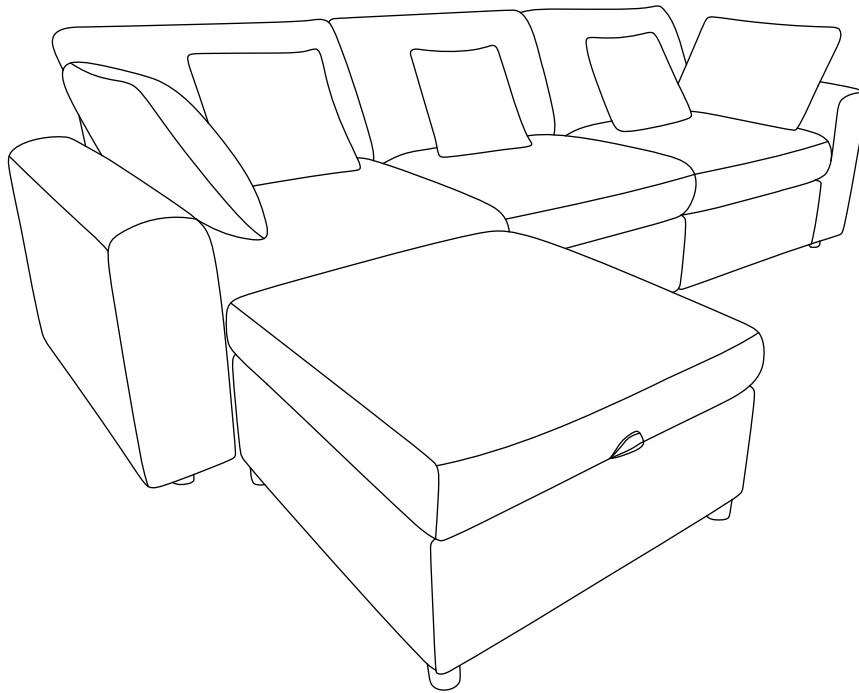


Step 17: After all the installation of the footrest frame is completed, place the footrest pad (G) on top.



Step 18: Combine the seat frame and footrest as shown in the following picture, and finally place the armrest pillow (F1) and throw pillow (F2) properly. This product can be used in multiple combinations based on the quantity of the same product purchased.





RETURN ISSUE

We offer 30-day returns, please feel free to contact us if you have any questions. Return requirements:

1. Original carton in good condition
2. No damage to the product Contact Customer Service Team