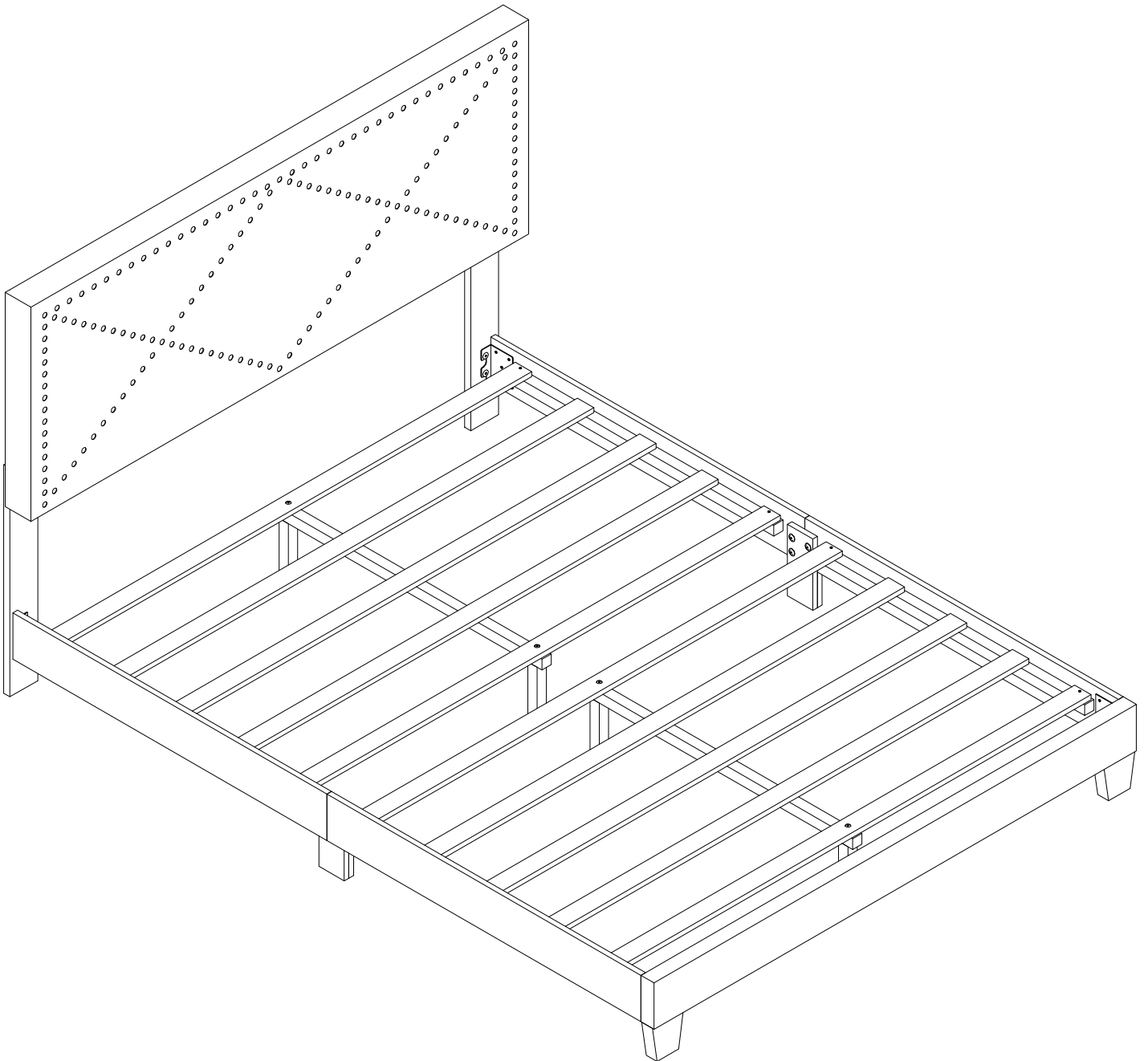
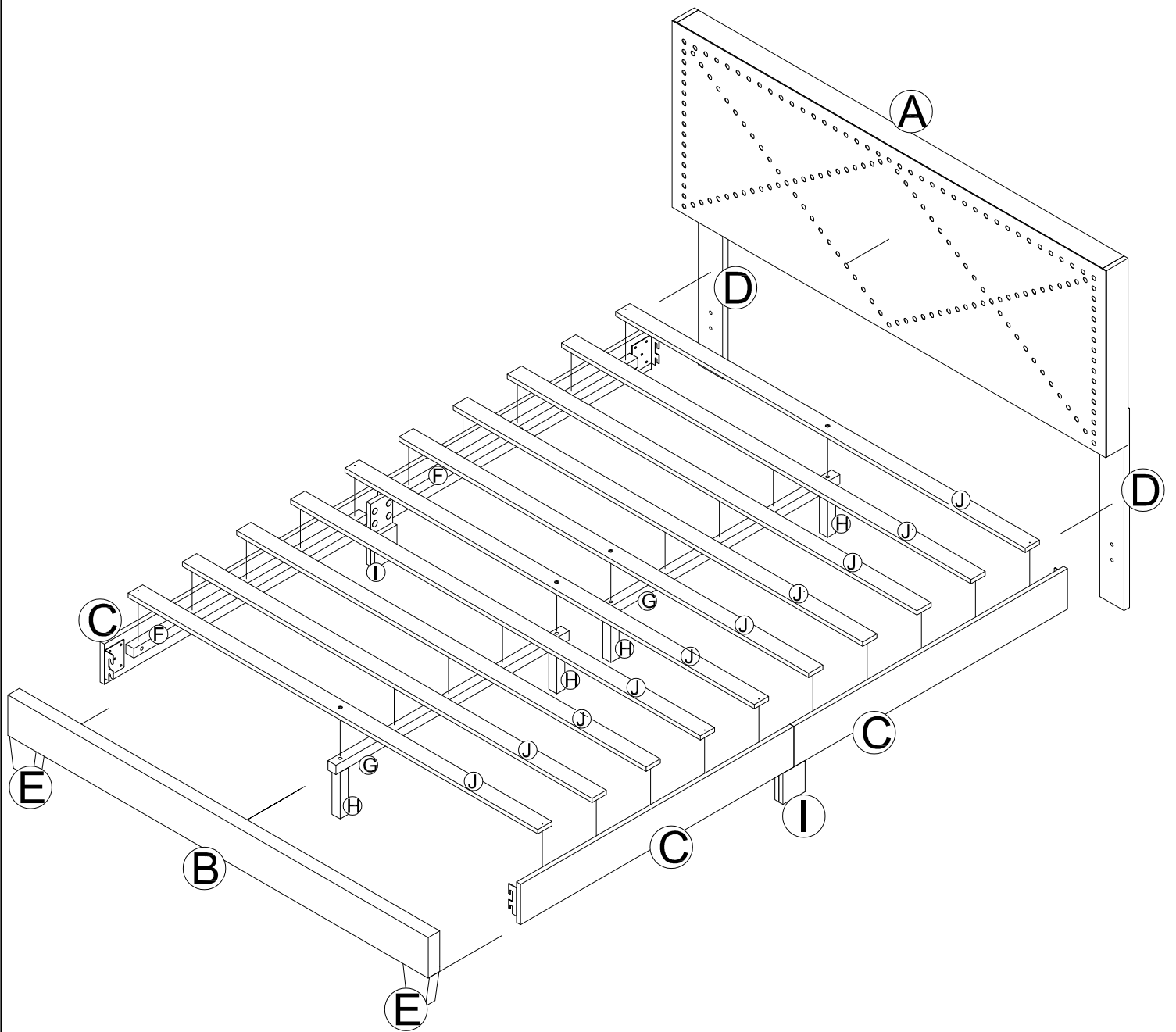


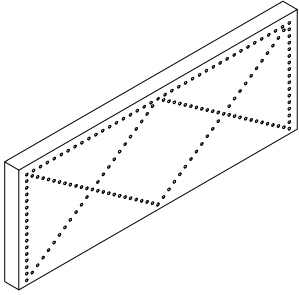
ASSEMBLY INSTRUCTION (WF322805)





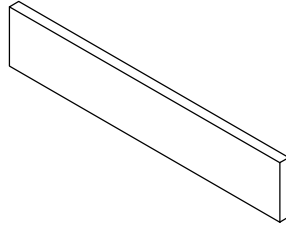
Part List (WF322805)

A



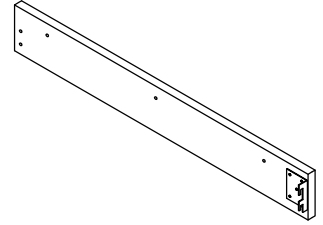
HEADBOARD - 1pcs

B



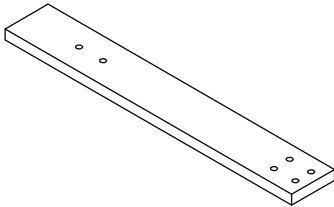
FOOTBOARD - 1pcs

C



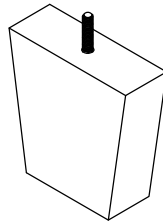
SIDE PANEL - 4pcs

D



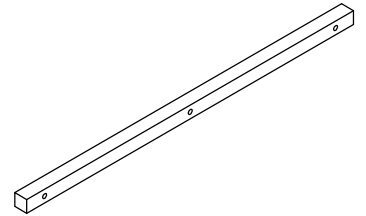
HEADBOARD LEG - 2pcs

E



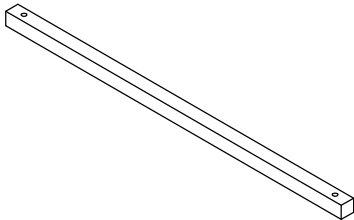
WOODEN LEG - 2pcs

F



SIDE WOOD BASE - 4pcs

G



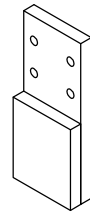
CENTER WOOD BASE - 2PCS

H



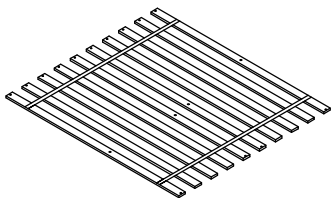
WOODEN SUPPORT LEG - 4pcs

I



SIDE PANEL SUPPORT - 2pcs

J



SLAT - 1SET/10pcs

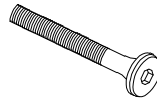
Hardware List (WF322805)

1



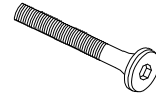
JCBB M8 x 16mm (8 pcs)

2



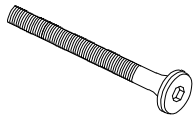
JCBC M6 x 35mm (8 pcs)

3



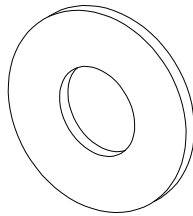
JCBC M6 x 45mm (20 pcs)

4



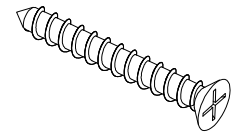
JCBC M6 x 60mm (4 pcs)

5



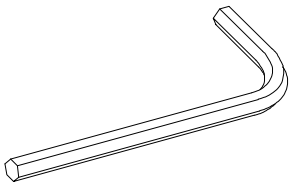
M6 Flat Washer (28 pcs)

6



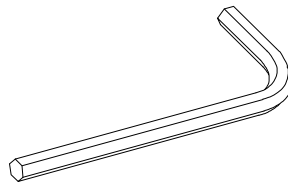
CSK SCREW M4 x 30mm (8pcs)

7



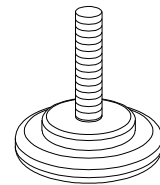
Allen Key M4 (1pcs)

8

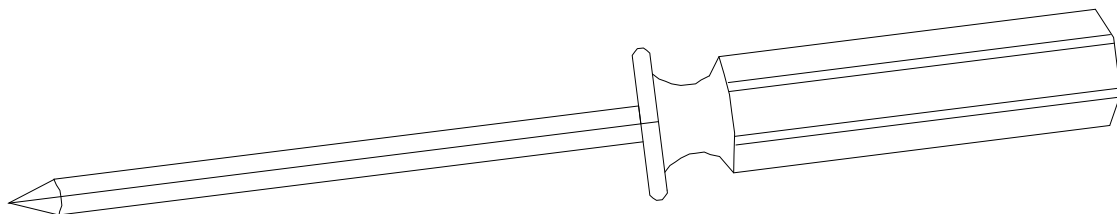


Allen Key M5 (1pcs)

9



BASE GLIDE (4pcs)

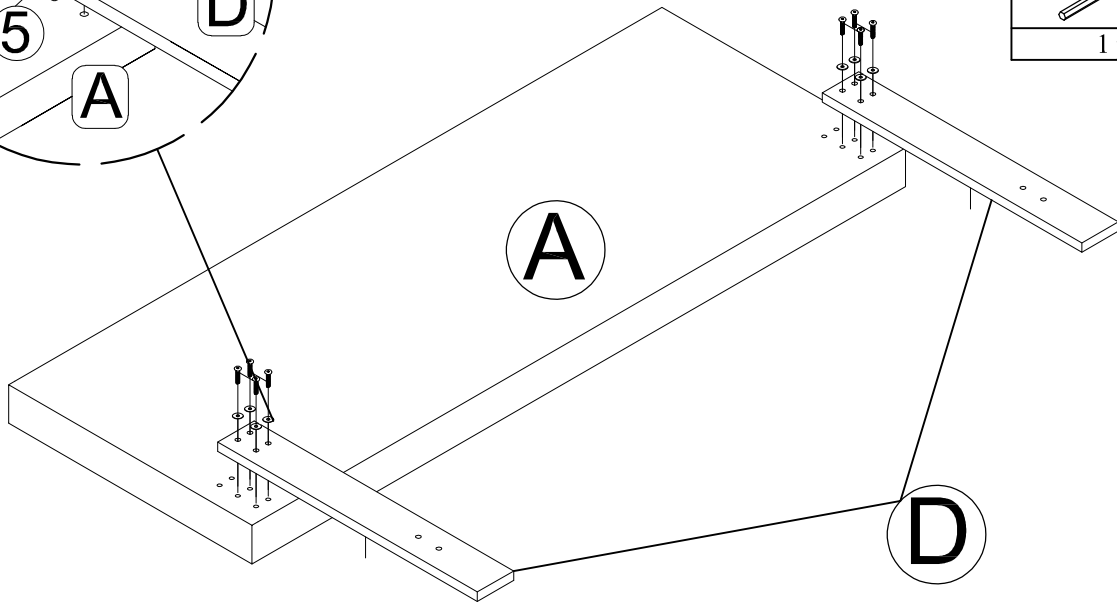
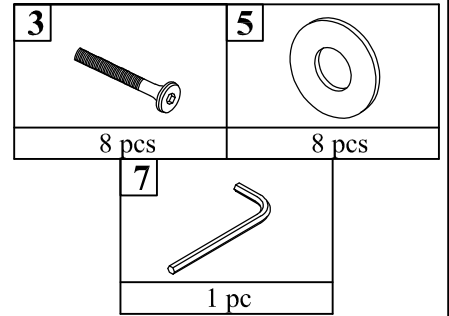
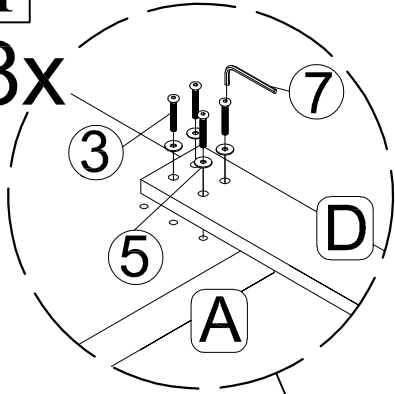


Assembly Tools
Required (Not Included)

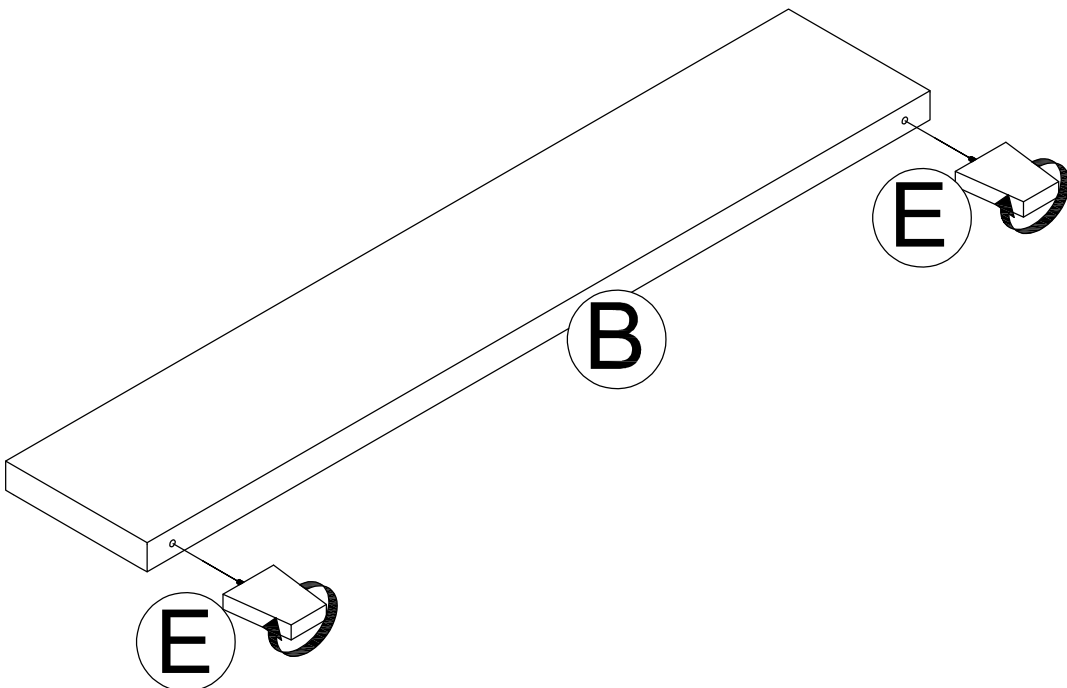
Assembly Step

1

8x

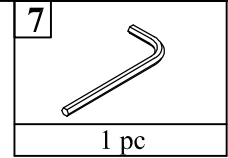
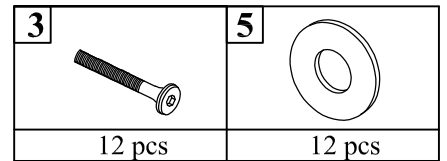
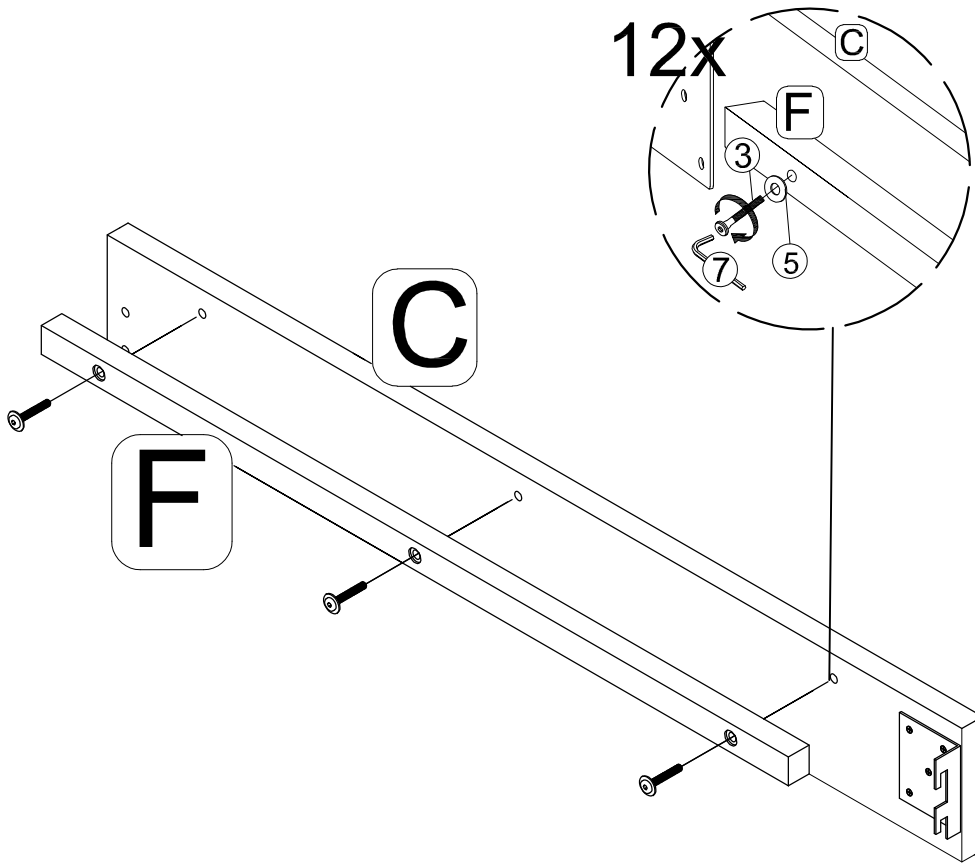


2

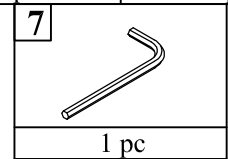
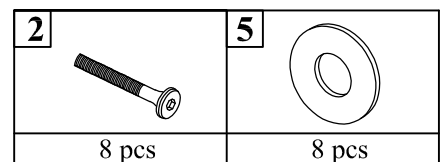
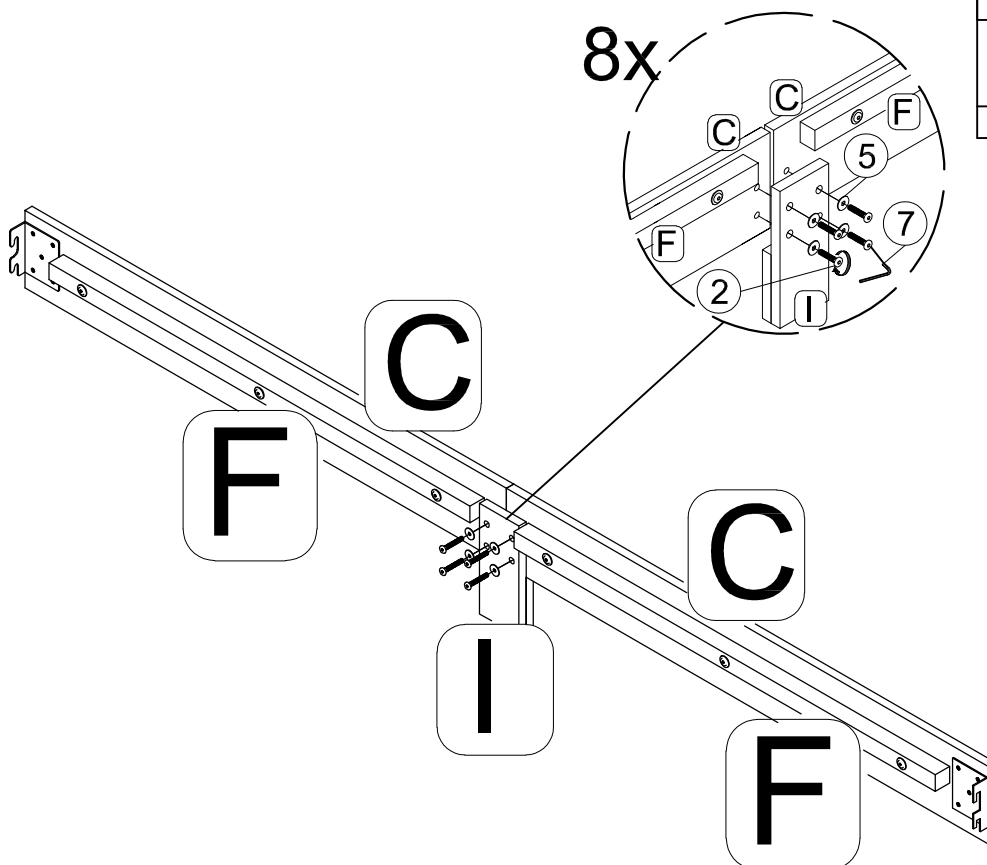


Assembly Step

3

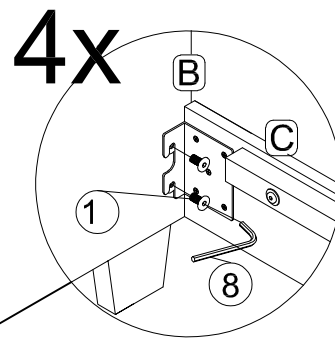
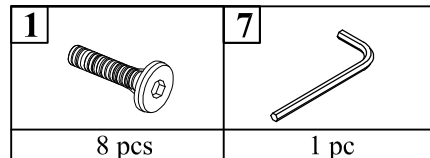
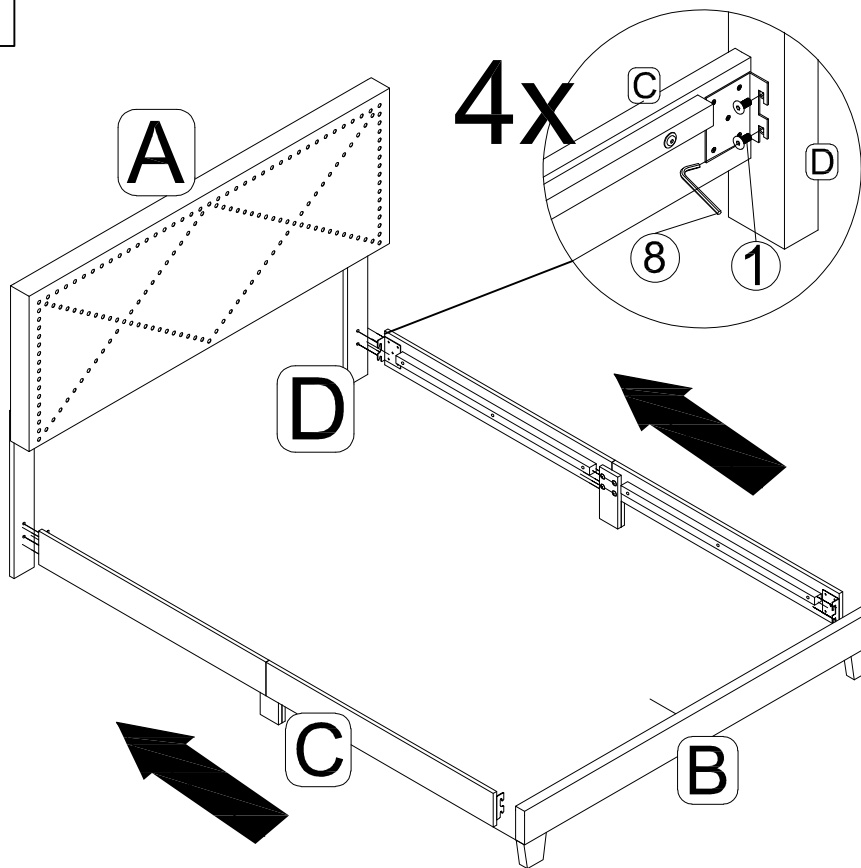


4

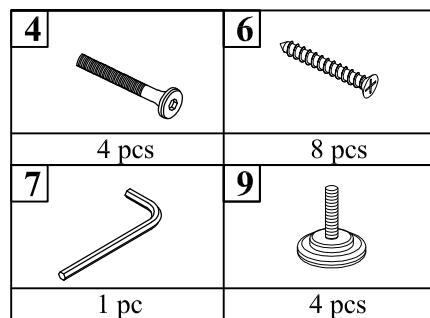
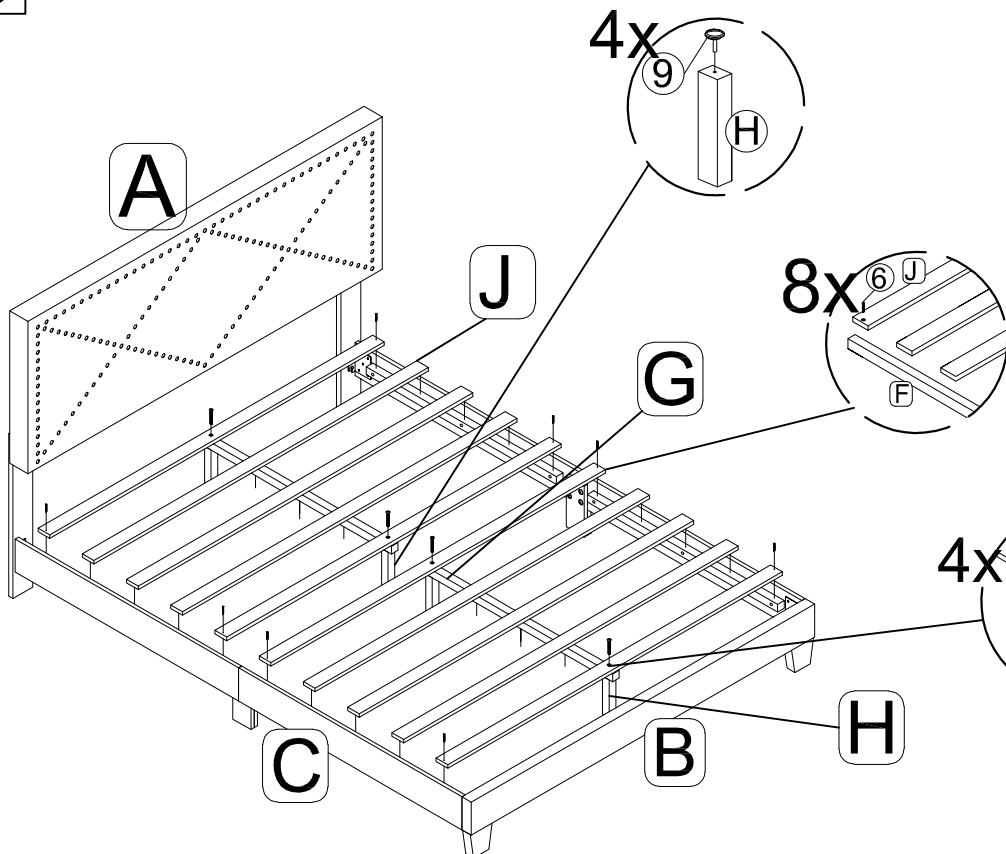


Assembly Step

5



6



FULLY COMPLETED ASSEMBLY

