
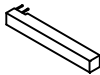
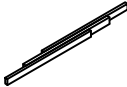
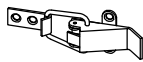





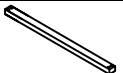







ASSEMBLY INSTRUCTIONS

Thank you for purchasing this quality product. be sure to check all packaging material carefully for small parts that may have come loose inside the carton during shipment.

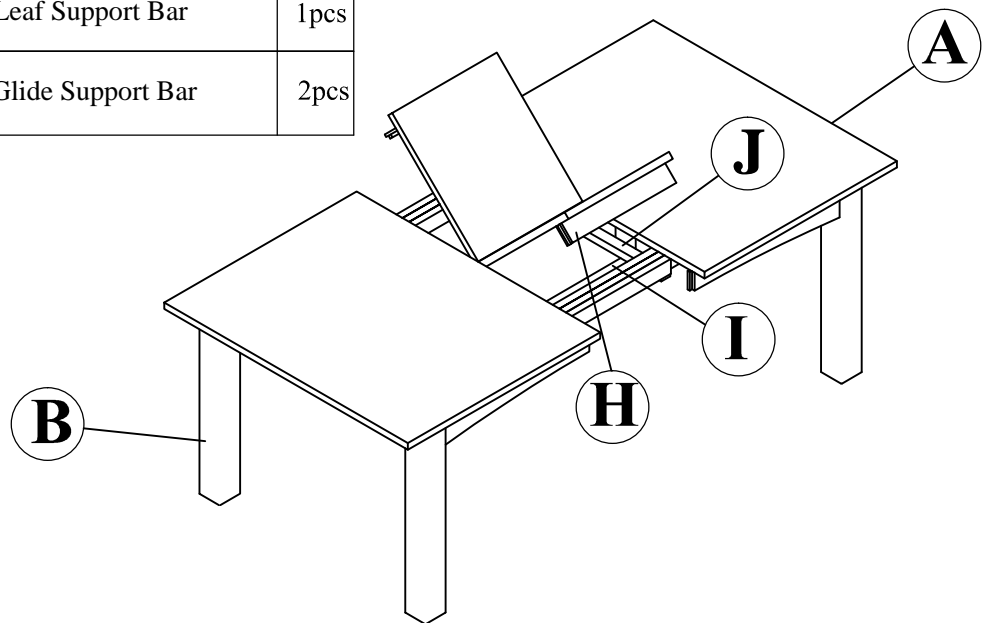
Reminder:

1. Use only the hardware supplied
2. Do not over-tighten the bolts.
3. This item may require periodic tightening

Components List :			
NO.		DESCRIPTION	Q' TY
A		Table Top	1pcs
B		Table Leg	4pcs
C		Glides	2pcs
D		Clamp Lock	4pcs
E		Leaf Support Hinge	2pcs
F		Apron Hinge	4pcs
G		Leaf Hinge	2pcs
H		Apron Leaf	2pcs
I		Leaf Support Bar	1pcs
J		Glide Support Bar	2pcs

Hardware List				
NO.	DESCRIPTION	SIZE	SKETCH	Q' TY
1	Hex-Nut	5/16"*12		8pcs
2	Spring Washer	8mm		8pcs
3	Flat Washer	8*19*2mm		8pcs
4	Wrench	12mm		1pcs
5	Plastic Glides			4pcs

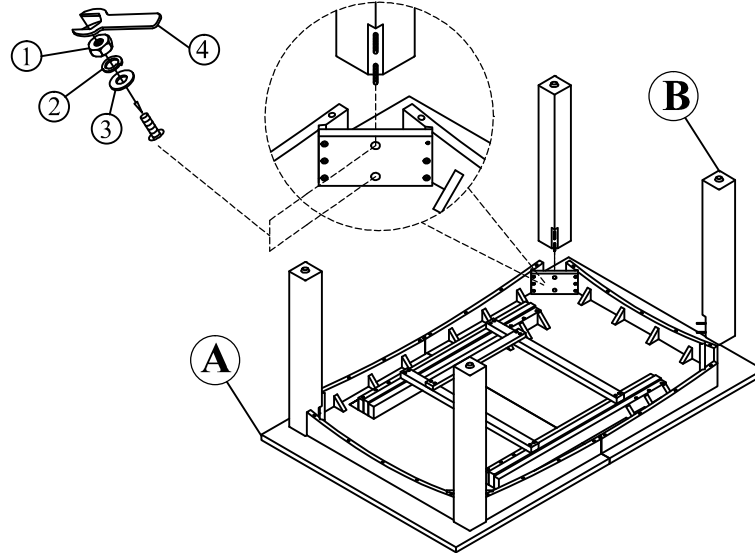
IMPORTANT NOTE:
 - Please Keep all hardware parts out of the reach of children
 - Two or more people are require for assembly



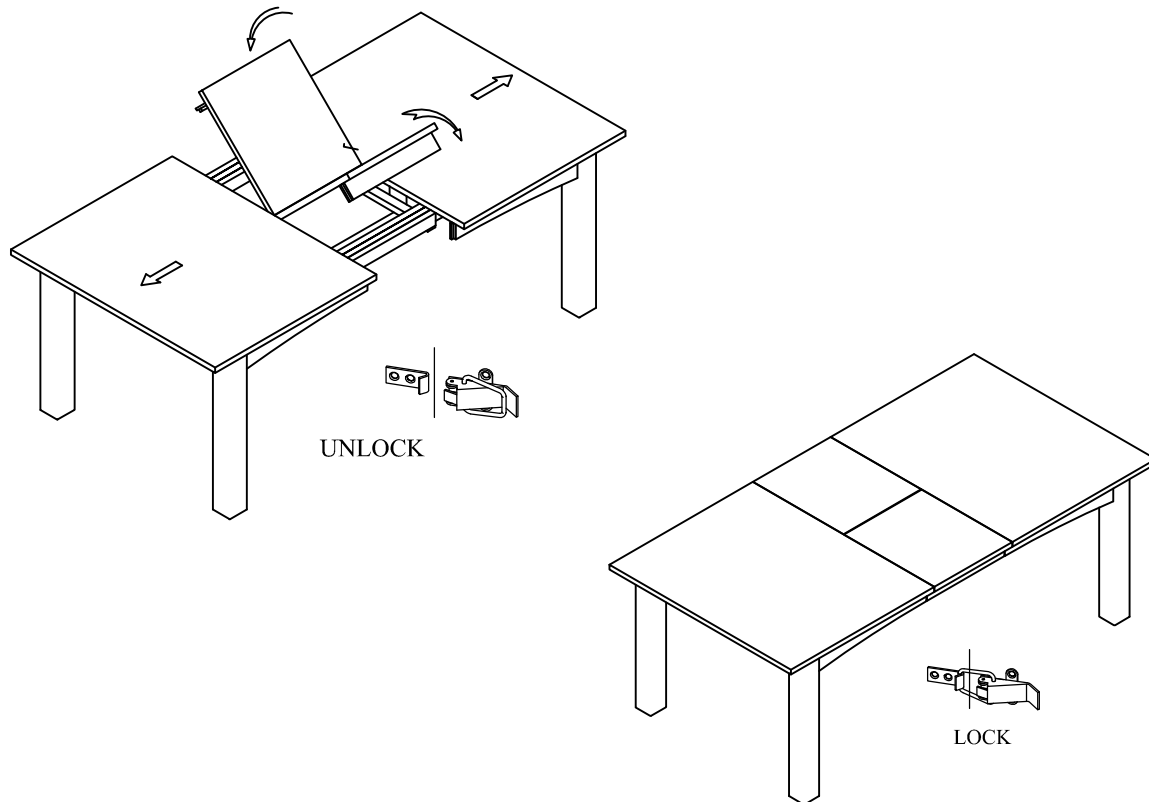
IMPORTANT NOTICE:
Storing and opening the
leaf require 2 people

ASSEMBLY INSTRUCTIONS

Step 1: Turn the Table Top (A) upside down on a soft surface such as a carpet and attach Table Legs (B) to Table Top (A) using Flat Washer (3), Spring Washer (2), Hex-Nut (1), and tighten with Wrench (4). Turn the table to upright position.



Step 2: Pull the Table Top (A) from both ends and open the table leaf which is stored underneath the Table Top (A). Lift both leaves from the compartment and flip up the apron then unfold Table Leaf (H) and place on the top surface carefully. Close the Table Top by pushing from both ends and clamp lock the latch underneath the table top to prevent from sliding. please put your hand in the place as shown in the illustration when pick up the butterfly leaf to avoid injury



IMPORTANT NOTICE:
Storing and opening the
leaf require 2 people

ASSEMBLY INSTRUCTIONS

TO STORE THE CENTER LEAF WHEN NOT IN USE

Unlock the Clamp Locks underneath the table and pull the table top wide open equally from both. Flip down the aprons and fold the center leaf to store within the compartment. Push table top from both ends to close. Lock the Clamp Locks underneath the table

