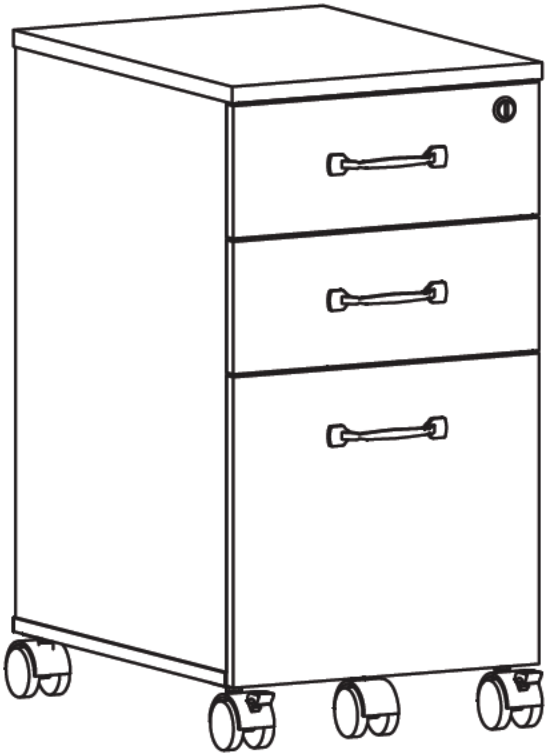


3-DRAWER MOBILE FILE

ASSEMBLY INSTRUCTIONS



WARNING

1. Use this product only one person at a time.
2. Do not use product unless all bolts, screws and knobs are securely tightened.
3. Check that all bolts, screws and knobs are securely tightened every three months, or as needed.
4. Dispose of packing material properly. Do not use plastic cover as head covering. It may cause suffocation.
5. Do not use product as stepladder.
6. Use this product for its intended purpose only.
7. Use mild detergent only for cleaning.

LIMITED WARRANTY

Desks are warranted from the date of purchase against failure due to material and workmanship as follows:

- Collection = 5 Years
- Desking & Wood Conference (CT) Tables = 3 Years

To make a warranty claim, contact Parts Department. Provide model number, proof of purchase, description of the problem and obtain return authorization. At its option Office Star Products will:

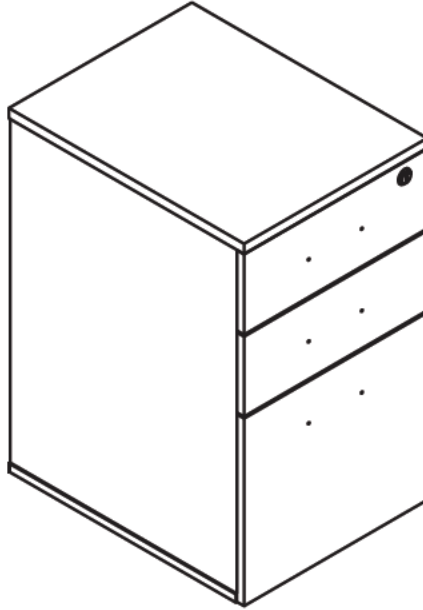
- (a) Supply compatible components of current manufacture.
- (b) Repair the customer's component. The customer must prepay freight on any components returned to the factory. Return freight on components still in warranty will be paid by Office Star Products.

**This warranty will not cover labor, freight or damage from misuse, abuse, negligence, alteration, accident, vandalism, rusting, acts of nature or any other event beyond the control of Office Star Products. The warranty does not cover cosmetic damage that may result from normal use. Liability for incidental or consequential damages is excluded. The user assumes all risk of injury resulting from use of this product. When usage is more than 40 hours per week, a five year warranty on all parts applies. Fabric is warranted for one year. This warranty gives you specific legal rights, and you may also have other rights which vary from state to state.*

3-DRAWER MOBILE FILE

ASSEMBLY INSTRUCTIONS

PARTS



1. Mobile File Body x1



2. Phillips Screw x20 + 1 extra
#4 x 12mm



3. Caster x3



4. Locking Caster x2



5. Phillips Bolt x6 + 1 extra
5/32" x 20mm



6. Handle x3





7. Rod x2

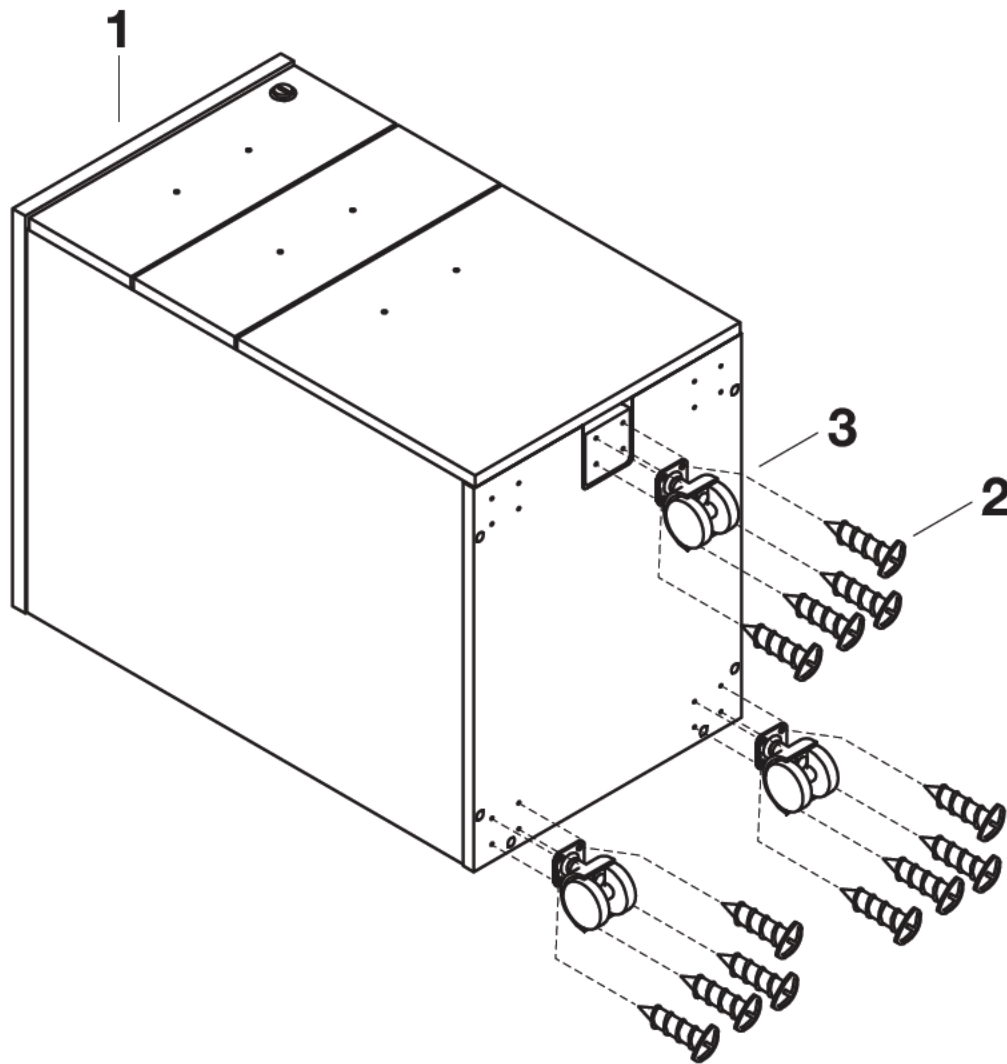
Phillips screwdriver also needed for assembly (not provided).

3-DRAWER MOBILE FILE

ASSEMBLY INSTRUCTIONS

STEP 1

2		x12
3		x3





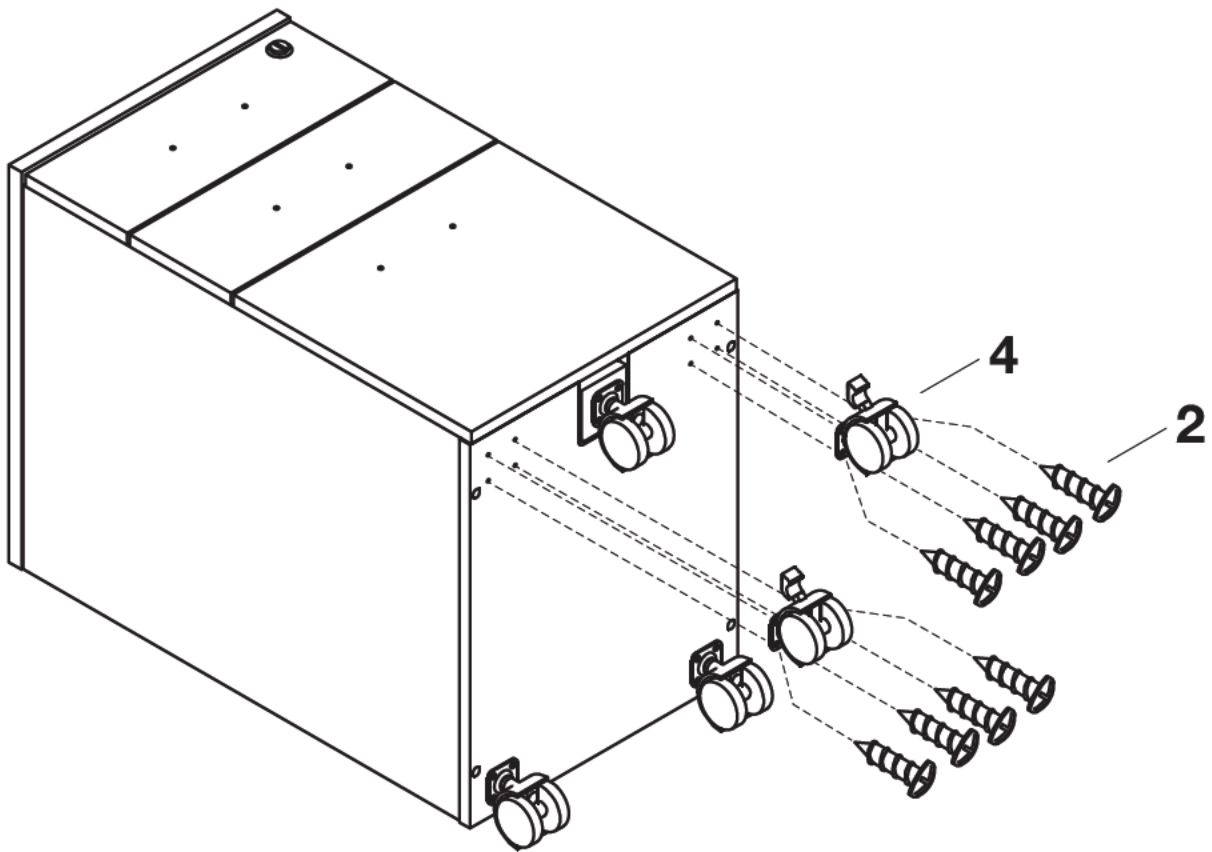
FULLY TIGHTEN ALL SCREWS.

3-DRAWER MOBILE FILE

ASSEMBLY INSTRUCTIONS

STEP 2

2		x8
4		x2





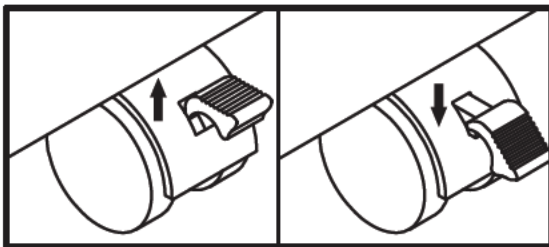
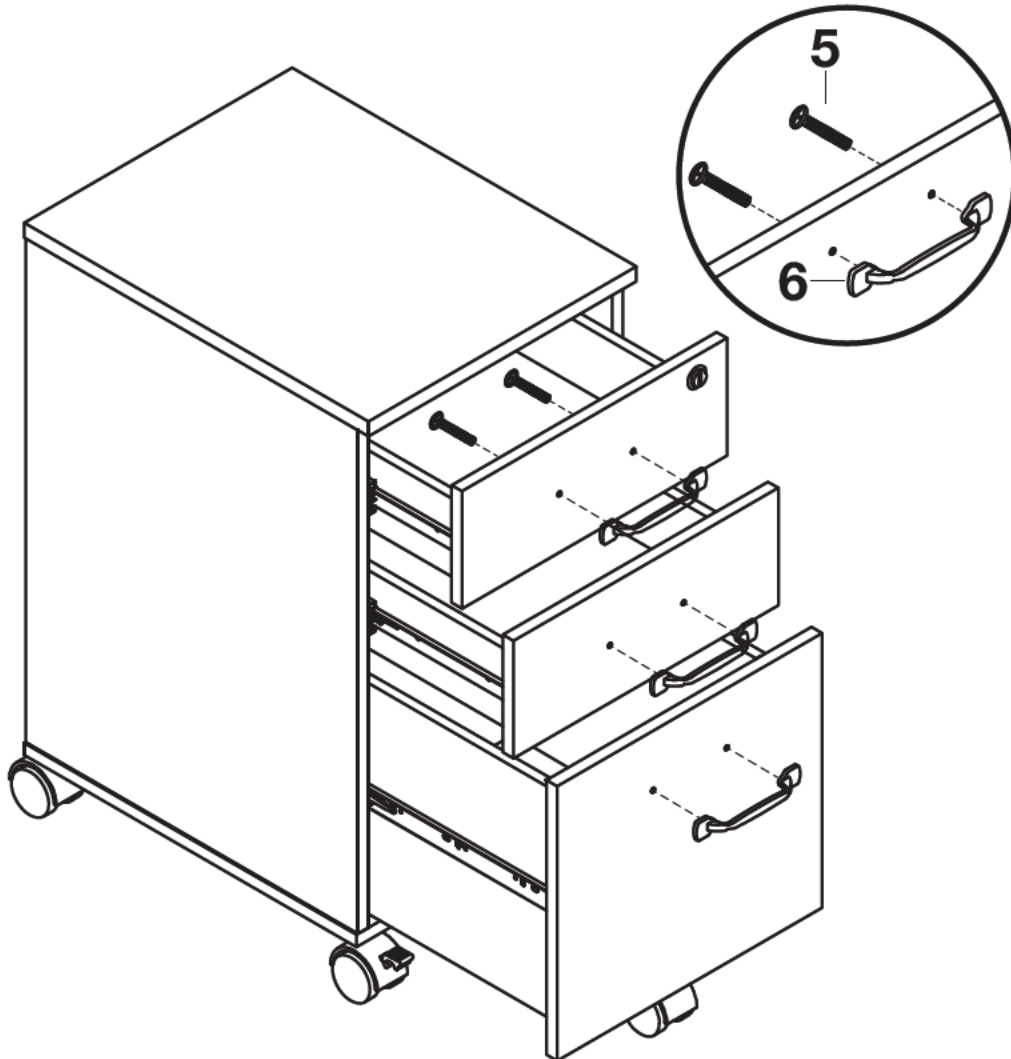
FULLY TIGHTEN ALL SCREWS.

3-DRAWER MOBILE FILE

ASSEMBLY INSTRUCTIONS

STEP 3

5		x6
6		x3



FULLY TIGHTEN ALL BOLTS.

3-DRAWER MOBILE FILE

ASSEMBLY INSTRUCTIONS

STEP 4

