



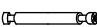
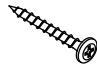




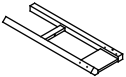


### Before You Start

- ⚠ Please read all instructions carefully.
- ⚠ Retain instructions for future reference.
- ⚠ Separate and count all parts and hardware.
- ⚠ Read through each step carefully and follow the proper order.
- ⚠ We recommend that, where possible, all items are assembled near to the area in which they will be placed in use, to avoid moving the product unnecessarily once assembled.
- ⚠ Always place the product on a flat, steady and stable surface.
- ⚠ Keep all small parts and packaging materials for this product away from babies and children as they potentially pose a serious choking hazard.

### HARDWARE LIST

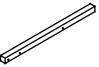
|   |   |                      |     |
|---|---|----------------------|-----|
| A | <br>5.8x30mm | Wood Dowel           | x14 |
| B | <br>4x30mm   | Screw                | x18 |
| C |              | Handle               | x1  |
| D |              | Cam Lock             | x2  |
| E |              | Cam Bolt             | x1  |
| F | <br>5x35mm | Screw                | x16 |
| G |            | Plastic Drawer Glide | x1  |
| H | <br>3x12mm | Screw                | x6  |

1  Right Side Frame x1

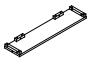
---

2  Left Side Frame x1

---

3  Leg x1

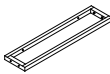
---

4  Right Apron x1

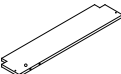
---

5  Cross Bar x1

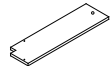
---

6  Front Frame x1


---

7  Long Shelf x1

---

8  Short Shelf x1

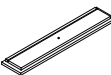
---

9  Wooden Drawer Glide x1

---

10  Top Panel x1


---

11  Drawer Front Panel x1

---

12  Drawer Side Panel x2

---

13  Drawer Back Panel x1

---

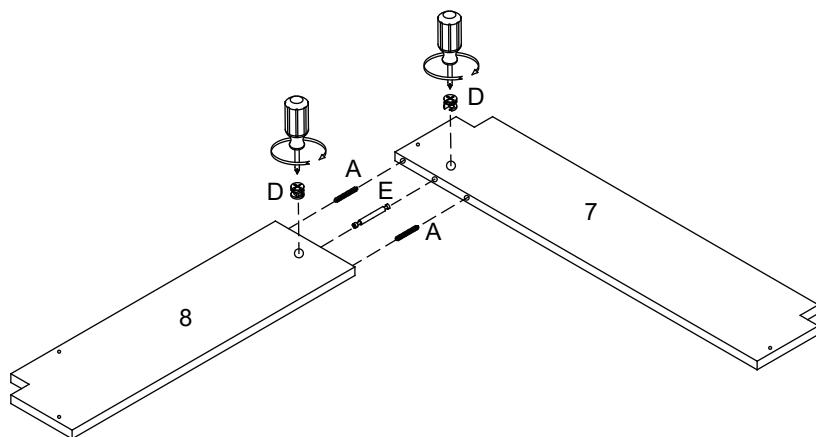
14  Drawer Bottom Panel x1

---

15  Left Apron x1

---

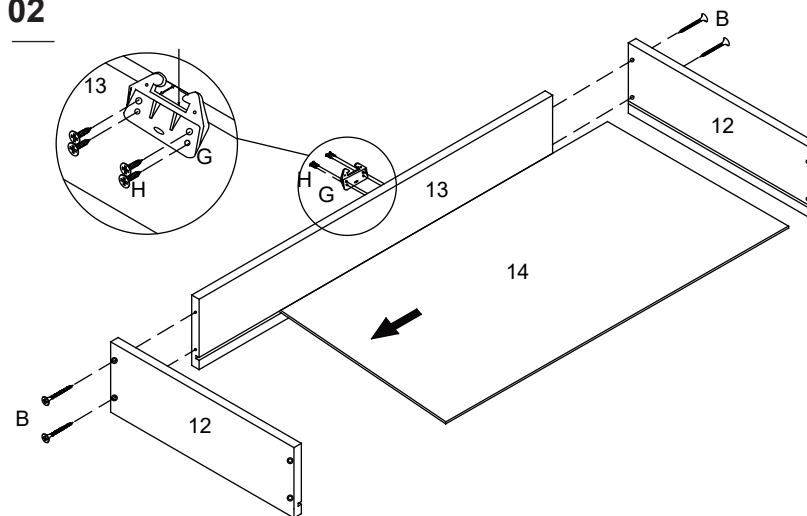
## 01



- a) Position Shelves (7 & 8) as shown.
- b) Insert Wood Dowel (A).
- c) Insert double-headed Cam Bolt (E) into the designated hole between the Wood Dowels. Insert the Cam Bolt(E) until the bolt head is in the center of the hole.
- d) Insert Cam Lock (D) with the "arrow" in-line with the Cam Bolt. Use a Flat-head Screwdriver to turn Cam Lock clockwise for a quarter turn (90 degree) to hold the Cam Bolt head in place. Do not tighten Cam Lock completely at this time.
- e) Attach the short shelf(8) to the long shelf(7) via the wood dowels and Cam Bolt installed on the long shelf(7).
- f) Check for Cam Bolt head to be in center of hole on the short shelf(8). Install Cam Lock as in Step d) above.
- g) Tighten Cam Lock by turning clockwise another quarter to a half-turn (until Cam Lock is snug.). Do not over-tighten.

## Groove Edge of Plastic Glide

## 02



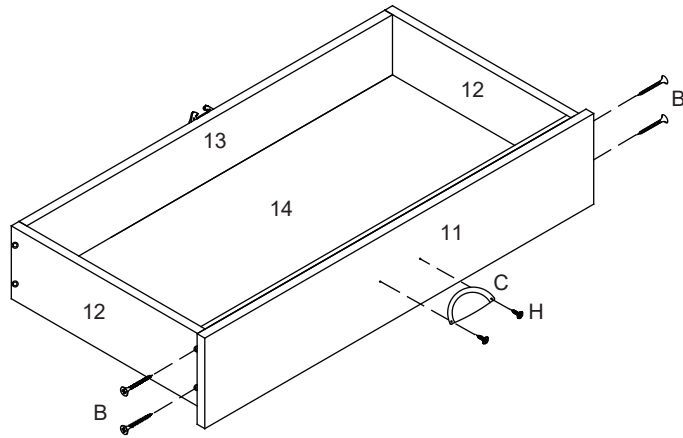
Important: Groove edge of Plastic Drawer Glide must level with the top edge of Drawer Back Panel.

- a) Fasten Plastic Drawer Glide (G) to Drawer Back Panel (13) with Screw (H).

(Important: Fasten TOP two screws first, and then BOTTOM two screws.)

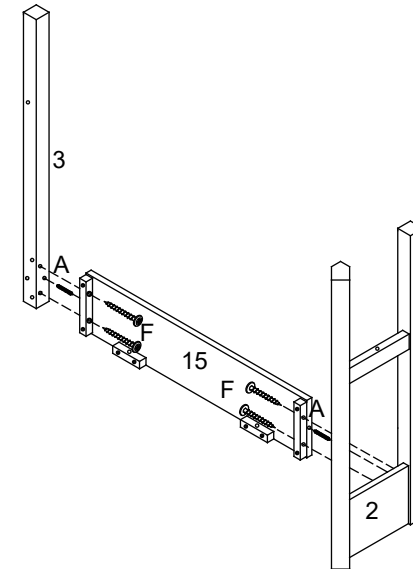
- b) Assemble Drawer Side Panels (12), Drawer Back Panel (13) and Drawer Bottom Panel (14) by using screw (B). Tighten all screws completely.

**03**



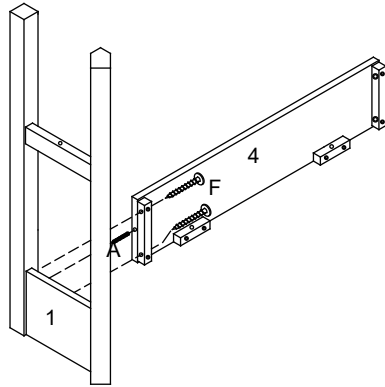
Assemble Drawer Front Panel (11) to drawer by using Screw (B). Attach Handle (C) to Front Panel (11) by using Screw (H). Tighten all of the screws completely.

**04**



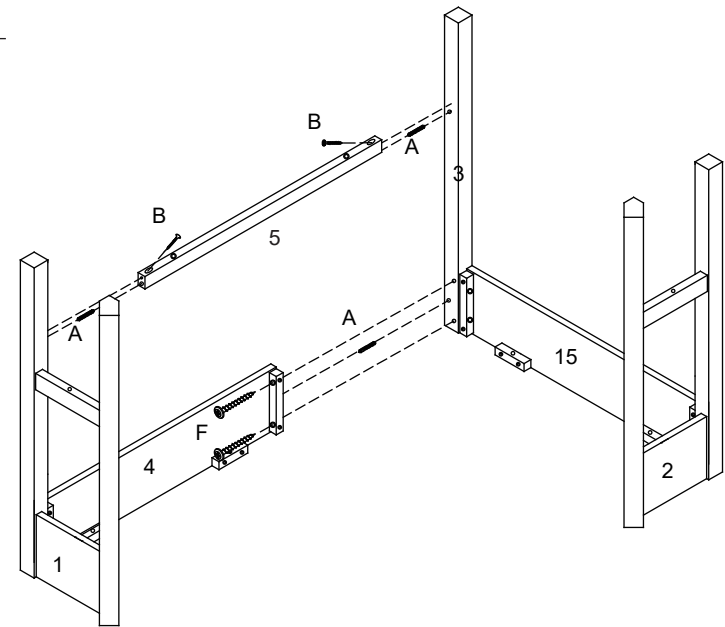
- a) Position Leg (3) as shown, and insert Wood Dowel (A) in the designated hole.
- b) Attach Leg (3) to Left Apron (15). Loosely tighten with Screw (F).
- c) Insert Wood Dowel into designated hole on the Left Apron (15).
- d) Attach Left Side Frame (2) to the Left Apron (15). Loosely tighten with Screw (F).

**05**



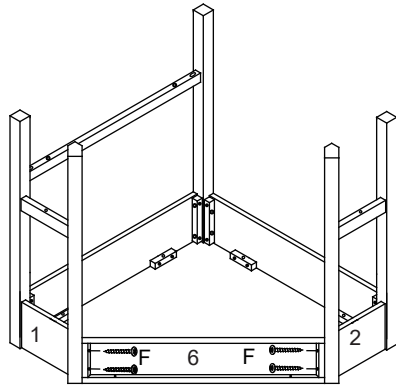
Connect Right Side Frame (1) to Right Apron (4) by using Screw (F)

**06**



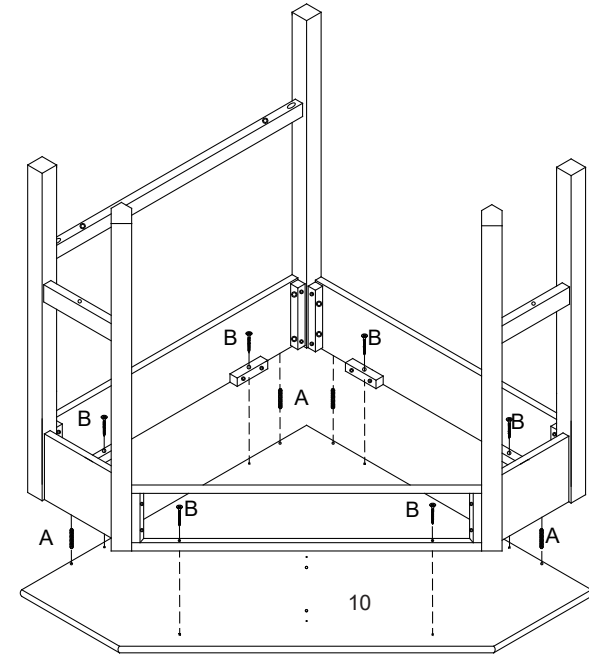
- a) Insert Wood Dowel (A) to designated holes on Leg (3) as shown.
- b) Insert Wood Dowel to Right Side Frame (1).
- c) Attach Cross Bar (5) to Right Side Frame(1) and fasten with Screw (B).
- d) Connect the Left Subassembly (15, 2 & Leg 3) to Cross Bar (5) and Right Apron (4) by means of Wood Dowels inserted in Step a).
- e) Fasten Cross Bar(5) to Leg(3) using Screw (B), and fasten Right Apron(4) to Left Apron(15) using Screw (F).

07



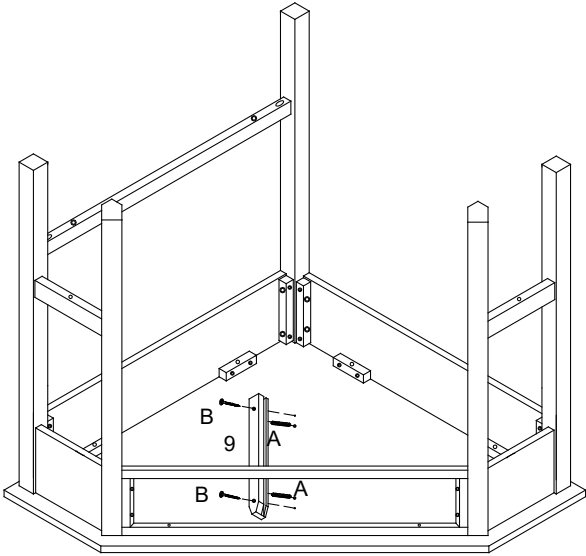
Install Front Frame (6) between  
Right Side Frame and Left Side  
Frame using Screw (F).

08



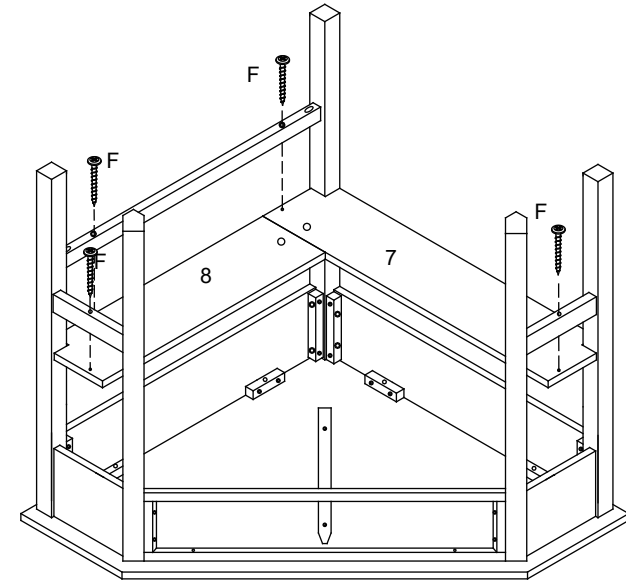
Note: Please use Screw (B - 4X30mm) to fix the Top Panel (10).a)  
Place the bottom side of the top panel (10) facing up on the  
surface without damaging the exterior finish of Top Panel (10).  
b) Insert Wood Dowel (A) into the designated holes as shown.  
c) With the help of another person, position and align table frame

**09**

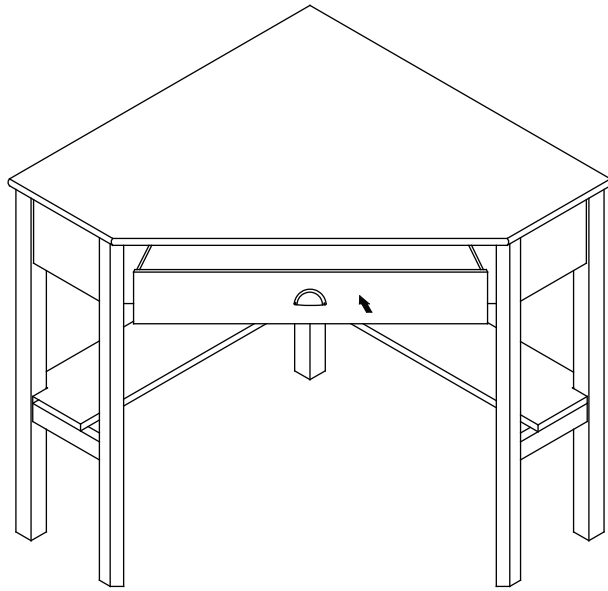


- 
- a) Identify pre-drilled holes for Wooden Drawer Glide (9) on bottom of Top Panel(10).
  - b) Position screw holes on (9) over pre-drilled holes on (10).
  - c) Use Screws (B) to loosely attach (9) to (10). Fully tighten Screws (B) only when both screws are in place.

**10**



- 
- a) With the help of another person, position Shelves (7) & (8) (completed in Step 1) under and against Cross Bar (5) and rails of Left Side Frame (1) and Right Side Frame (2) as shown.
  - b) Use Screw (F) to loosely fasten Shelves (7) & (8) to Cross Bar (5), and to the rails of Left Side Frame (1) and Right Side Frame (2)



Position the Corner Table upright.

To insert Drawer:

- a) Position drawer directly in front of Front Frame opening.
- b) Tilt the drawer upward slightly and slide in the drawer at an angle to allow the Plastic Drawer Glide to connect into the groove of the Wooden Drawer Glide on the underside of Top Panel.
- c) Gently slide in the drawer horizontally.

ASSEMBLY OF THE CORNER DESK IS COMPLETED



### Return / Damage Claim Instructions

- ⚠ **DO NOT discard the box / original packaging.**  
In case a return is required, the item must be returned in original box. Without this your return will not be accepted.
- ⚠ **Take a photo of the box markings.**  
A photo of the markings (text) on the side of the box is required in case a part is needed for replacement. This helps our staff identify your product number to ensure you receive the correct parts.
- ⚠ **Take a photo of the damaged part (if applicable).**  
A photo of the damage is always required to file a claim and get your replacement or refund processed quickly. Please make sure you have the box even if it is damaged.
- ⚠ **Send us an email with the images requested.**  
Email us directly from marketplace where your item was purchased with the attached images and a description of your claim.