

# 2-Door Cabinet

SKU WHIF2218



## ASSEMBLY INSTRUCTIONS



**60** min. assembly

**2** person

\*The estimated assembly time may vary depending on the individual.

# Hey, there

Now is assembly time!

Deeeeeeep breathe.... and again....  
Tools ready,  
Easy peasy!

## Estimated



**60** min. assembly  
**2** person

## Tools Required

- Allen Wrench (included)
- Phillips screwdriver (not included)
- Power Drill (not included)

**important:** *Cautious when you use power tools*

## Need Help?

Call us at +1 909 548 6688  
Email [customerservice@luxenhome.com](mailto:customerservice@luxenhome.com)  
Submit a ticket on [www.luxenhome.com/help](http://www.luxenhome.com/help)

Thank you for purchasing this LuxenHome product. This product has been manufactured with the highest standards of safety and quality.

### **PLEASE READ ALL INSTRUCTIONS CAREFULLY BEFORE ASSEMBLY.**

Un pack all parts from the packaging inside the carton to ensure there are no missing or damaged parts. Lay out all the parts on a clean, flat, and soft surface to prevent scratches. Refer to the steps provided as assembling guide.

Do not attempt to assemble or use the product if any parts are missing or damaged.

## REMINDERS

### **SAFE USAGE IS KEY**

Your well-being is our top priority when you use our product. Please prioritize your safety by diligently following the assembly guidelines and inspecting the product carefully both when it arrives and before each use.

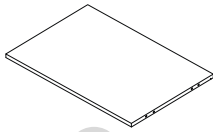
Please be aware that LuxenHome and Winsome House, Inc. cannot be held liable for any injuries or fatalities that occur due to not adhering to the provided instructions or misuse of the product.

### **DO NOT MODIFY**

Our products undergo rigorous testing to ensure they meet established safety standards before being released for sale. Altering the product in any way can lead to serious safety concerns, for which LuxenHome cannot assume responsibility.

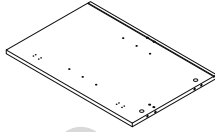
# What's in the box

## Parts



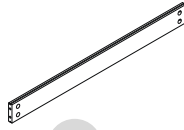
1 X 1

Left side panel



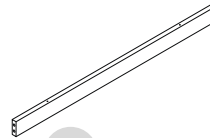
2 X 1

Right side panel



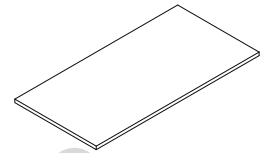
3 X 1

Back support bar



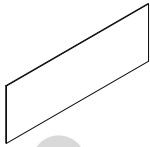
4 X 1

Top support bar



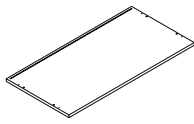
5 X 1

Top panel



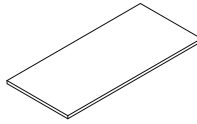
6 X 1

Back panel



7 X 1

Bottom panel



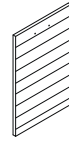
8 X 1

Shelf panel



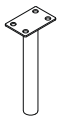
9 X 1

Left door panel



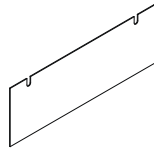
10 X 1

Right door panel



11 X 4

Metal leg



12 X 1

Back panel

# What's in the box

## Hardware & Accessory



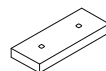
**A** X 10+2  
M6 x 36mm



**B** X 10+2  
M15 x 9mm



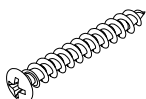
**C** X 10+2  
M5.8 x 30mm



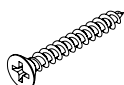
**D** X 1  
Door stop



**E** X 14+2  
M3 x 16mm



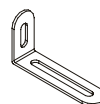
**F** X 2  
M4 x 40mm



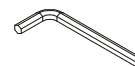
**G** X 6  
M4 x 35mm



**H** X 16+2  
M6 x 12mm



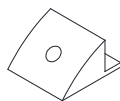
**I** X 2  
Wall bracket



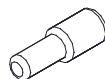
**J** X 1  
Allen key



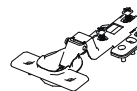
**K** X 2  
M4 x 14mm



**L** X 12+2  
Wedge



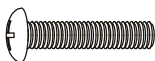
**M** X 4  
Shelf support



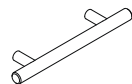
**N** X 4  
Hinge



**O** X 24+3  
M4 x 14mm



**P** X 4  
M4 x 18mm

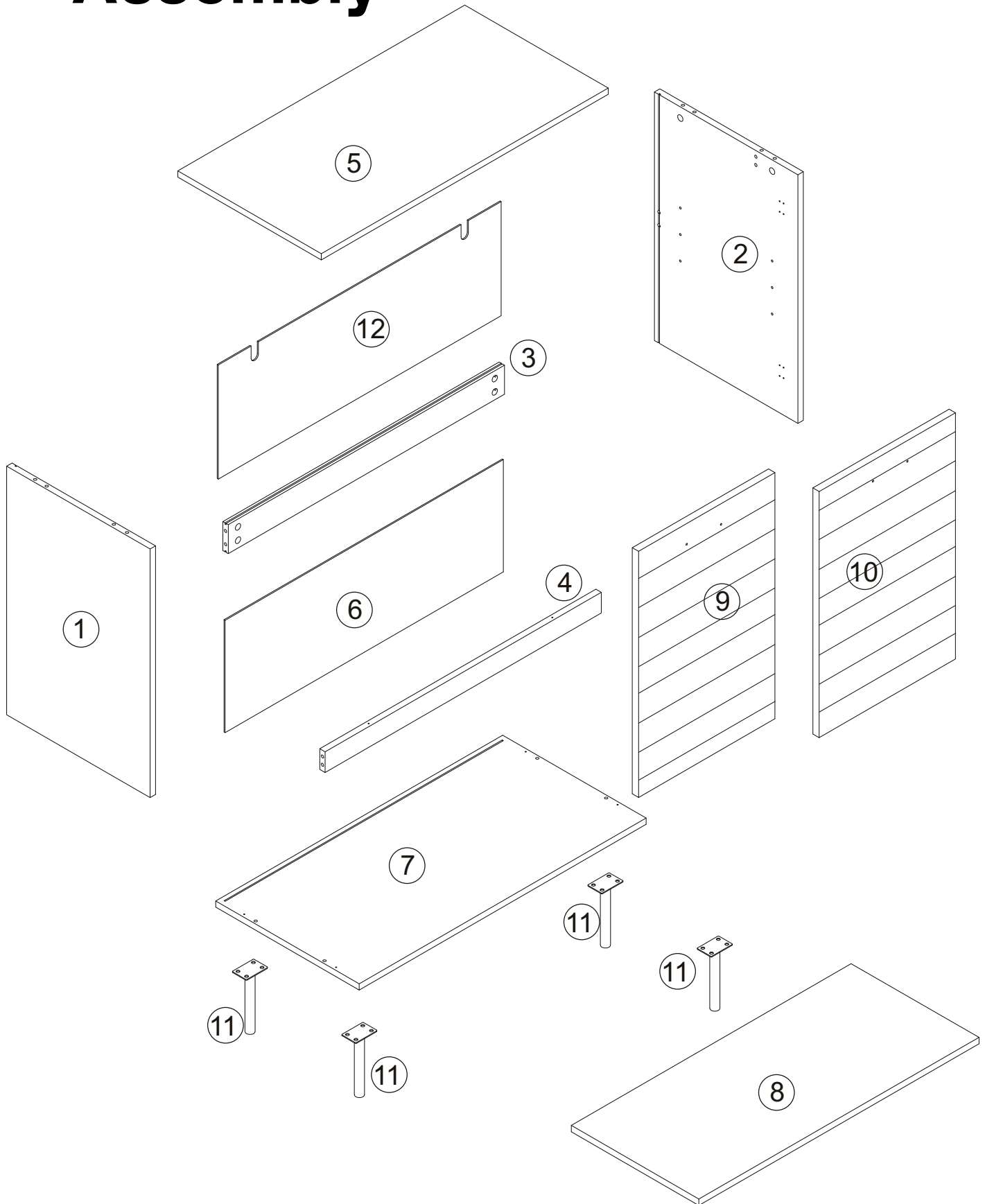


**Q** X 2  
Handle



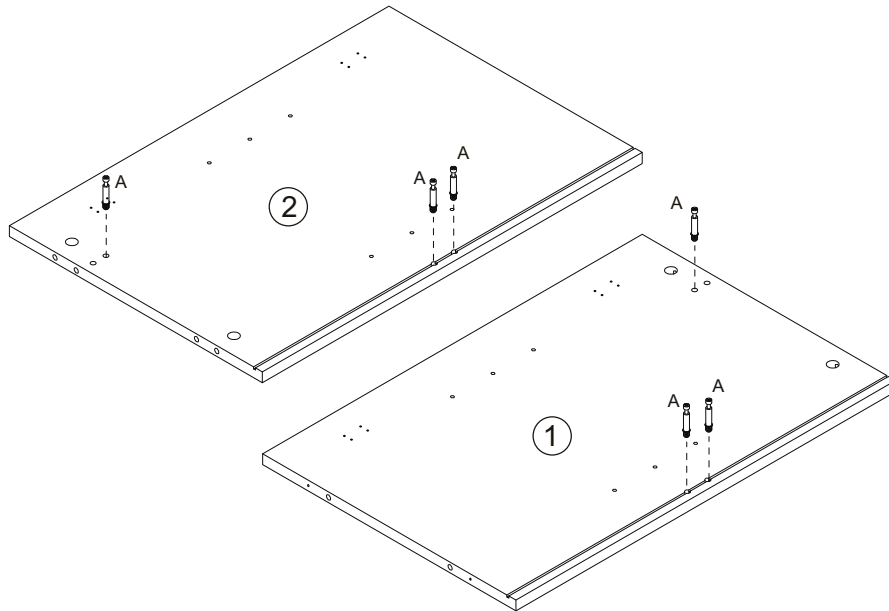
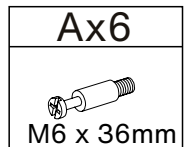
**R** X 2  
Wall plug

# Assembly



# Step 1

Insert quickfit screws (A) into parts 1 and 2, as shown.

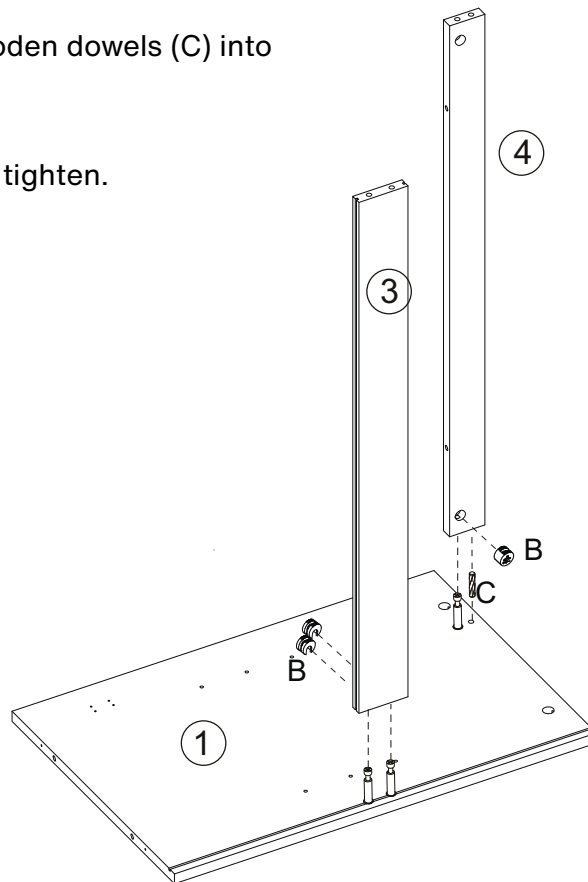
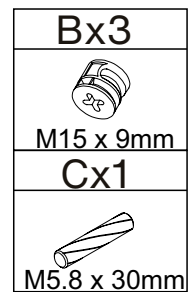


# Step 2

Insert cam locks (B) and wooden dowels (C) into parts 3 and 4, as shown.

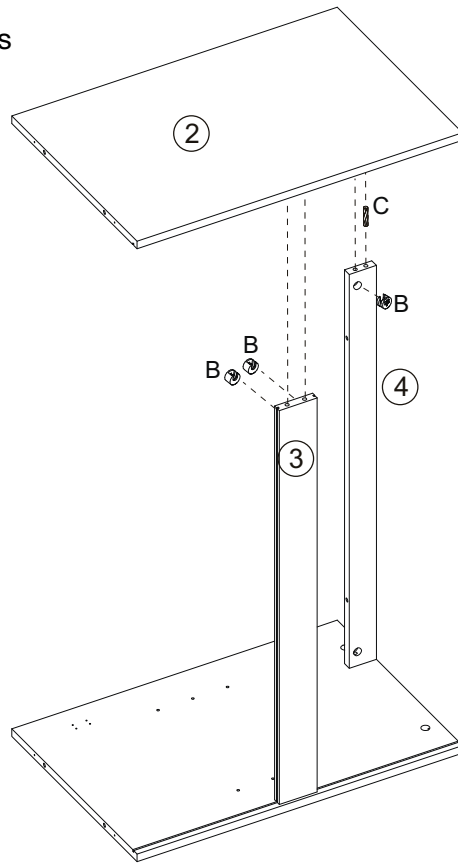
Fit parts 3 and 4 to part 1.



Turn cam locks clockwise to tighten.



# Step 3

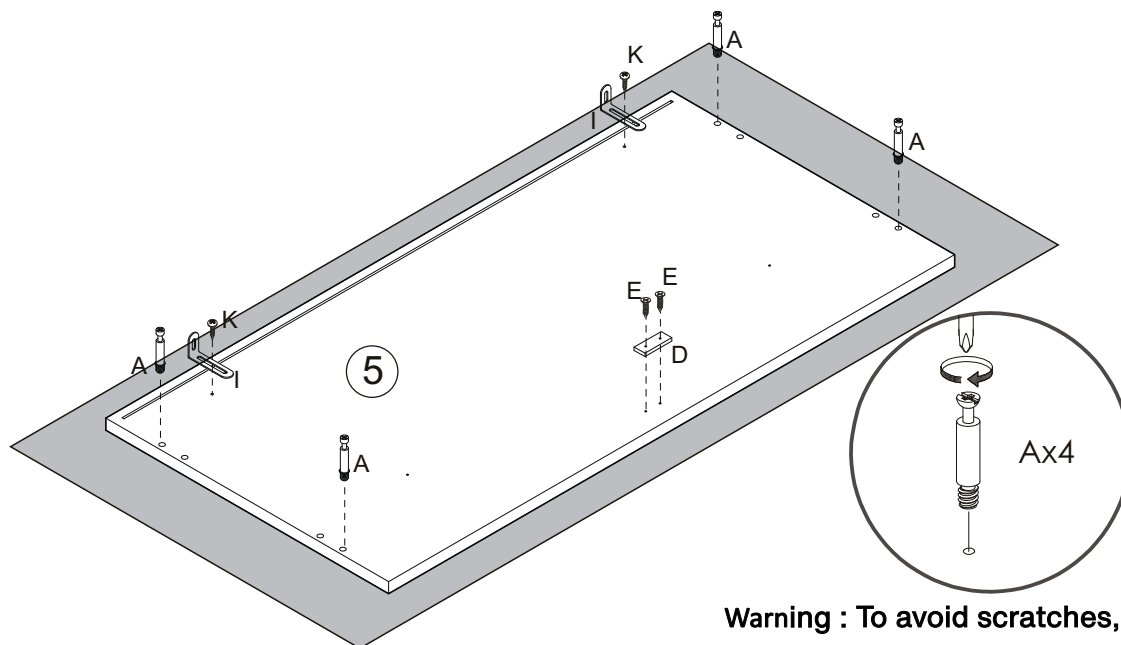
Insert cam lock (B) and wooden dowels (C) into parts 3 and 4, as shown.  
 Fit part 2 to parts 3 and 4.  
 Turn cam lock clockwise to tighten.





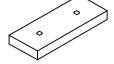


<b>Bx3</b>
 M15 x 9mm
<b>Cx1</b>
 M5.8 x 30mm

# Step 4

Insert quickfit screws (A) into part 5, as shown.  
 Fix door stop (D) to part 5 using screws (E), as shown.  
 Fix wall brackets (I) to part 5 using screws (K), as shown.

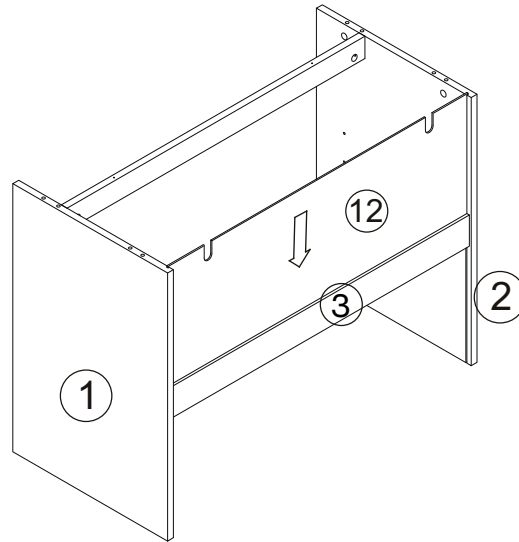


<b>Ax4</b>
 M6 x 36mm
<b>Ix2</b>

<b>Kx2</b>
 M4 x 14mm
<b>Ex2</b>
 M3 x 16mm
<b>Dx1</b>


**Warning :** To avoid scratches, place the panels on a clean and soft surface.

# Step 5

Slide part 12 into grooves between parts 1, 2 and 3, as shown.



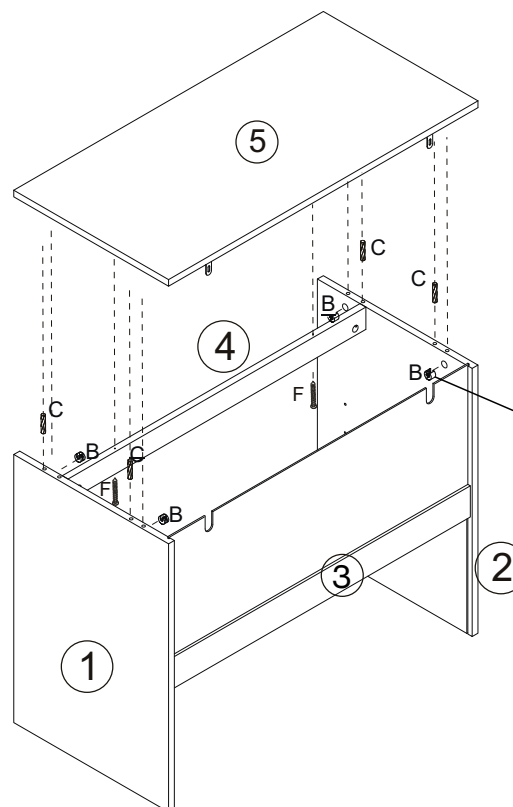
# Step 6



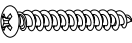
Insert cam locks (B) and wooden dowels (C) into parts 1 and 2, as shown.

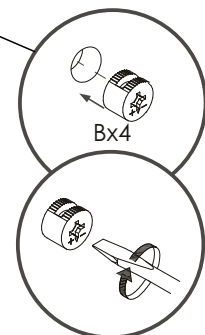
Fit part 5 to parts 1 and 2.

Turn cam locks clockwise to tighten.

Secure part 4 to part 5 using screws (F), as shown.

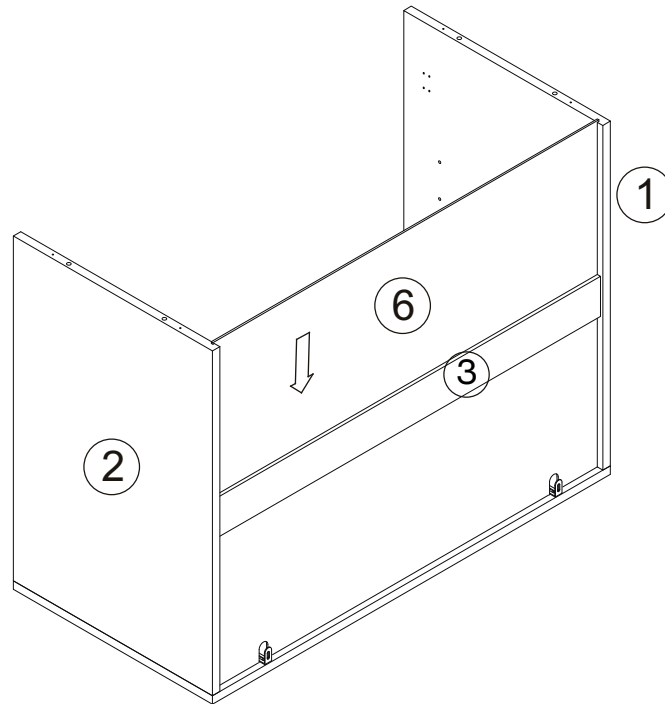


<b>Bx4</b>
 M15 x 9mm
<b>Cx4</b>
 M5.8 x 30mm
<b>F x2</b>
 M4 x 40mm



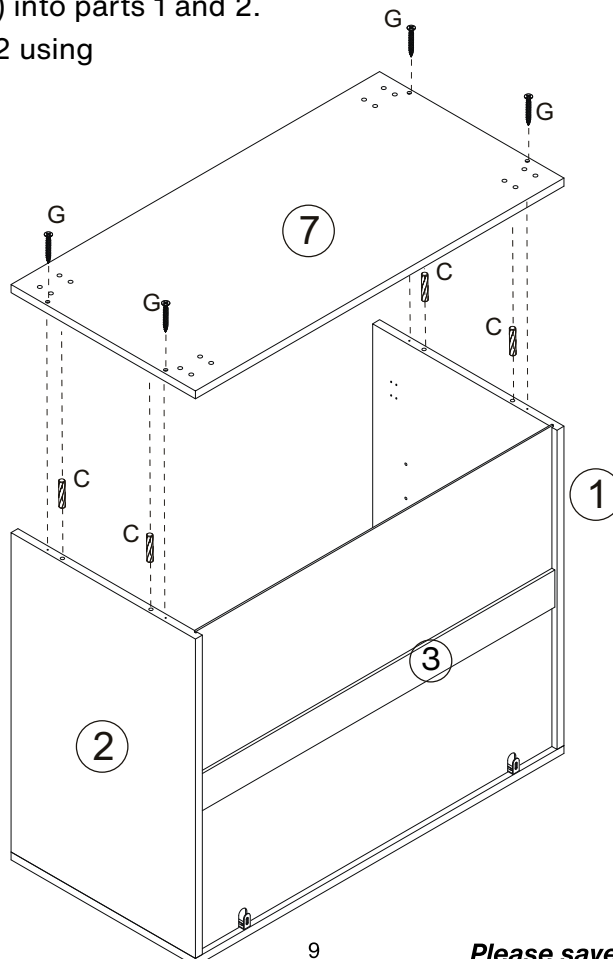
# Step 7

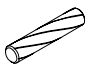
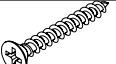
Slide part 6 into grooves between parts 1, 2 and 3, as shown.



# Step 8

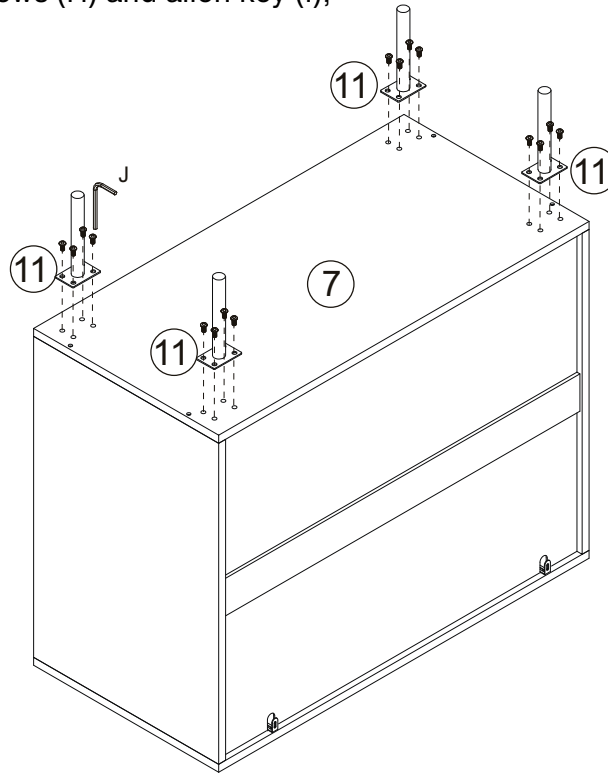
Insert wooden dowels (C) into parts 1 and 2.  
Fix part 7 to parts 1 and 2 using screws (G), as shown.


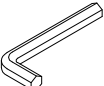


Cx4
 M5.8 x 30mm
Gx4
 M4 x 35mm

# Step 9

Fix legs 11 to part 7 using screws (H) and allen key (I), as shown.



Hx16

M6 x 12mm
I x1


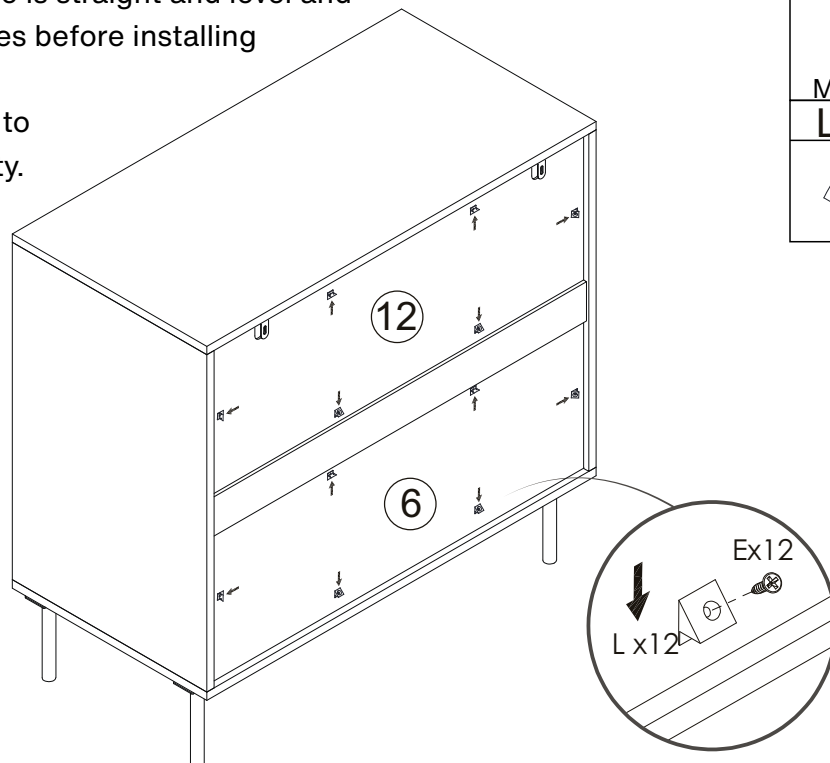
# Step 10


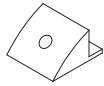
Secure backing panels 6 and 12 by fixing wedges (L) using screws (E), as shown.

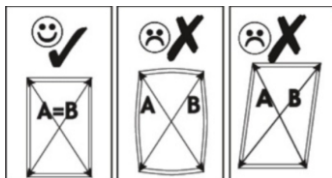
## ATTENTION PLEASE

Please ensure the structure is straight and level and all panels are at right angles before installing hardware (L).

MUST install hardware (L) to strengthen product stability.

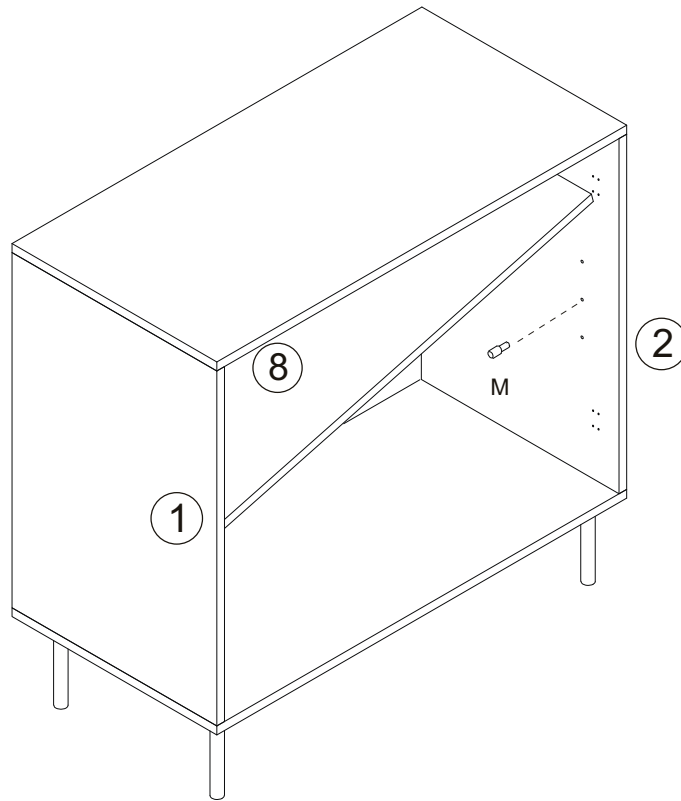
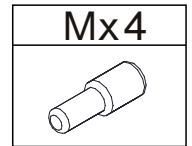


Ex12

M3 x 16mm
Lx12




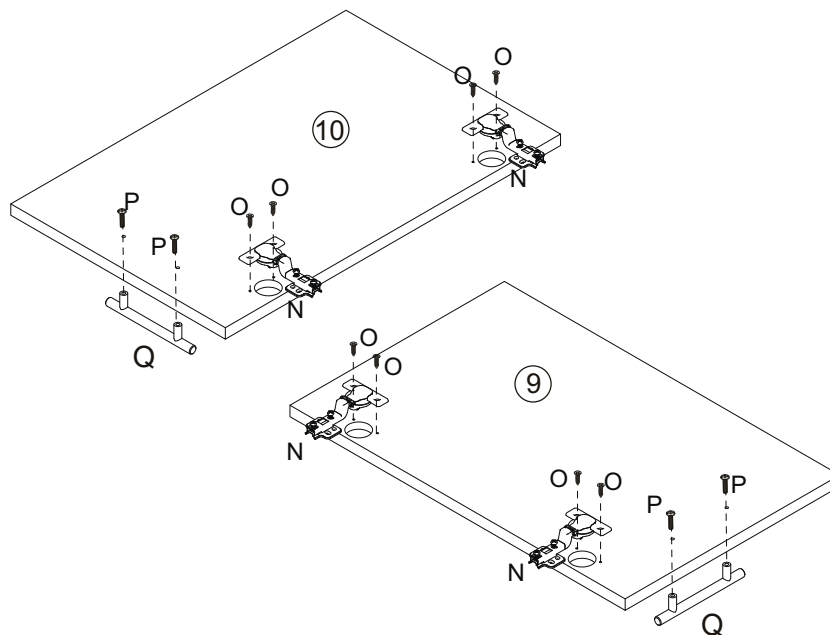
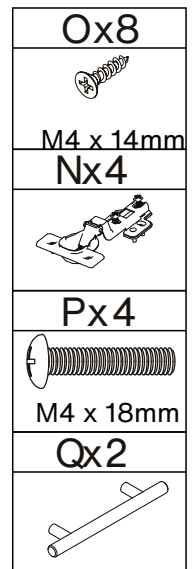
# Step 11

Fit shelf supports (M) into desired position in the assembled unit.  
Place shelf 8 on top of shelf supports, as shown.



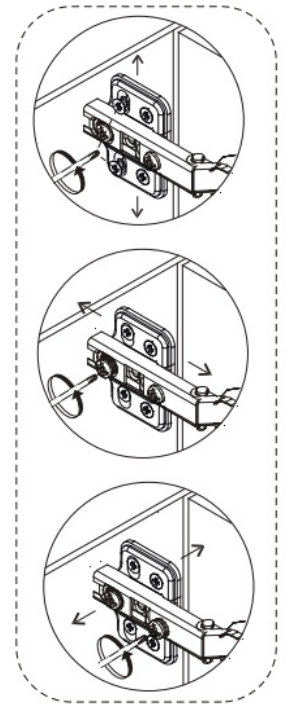
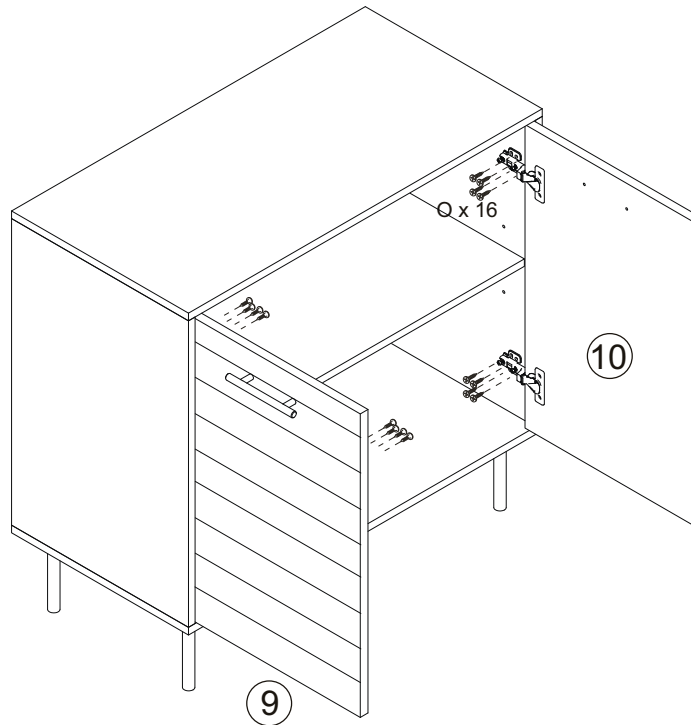
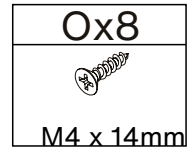
# Step 12

Fix handles (Q) to doors 9 and 10 using screws (P), as shown.  
Fix hinges (N) to doors 9 and 10 using screws (O), as shown.



# Step 12

Fix doors 9 and 10 to assembled unit using hinges with screws (O), as shown.

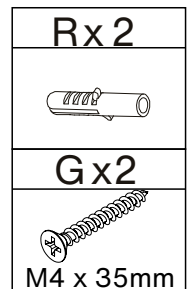
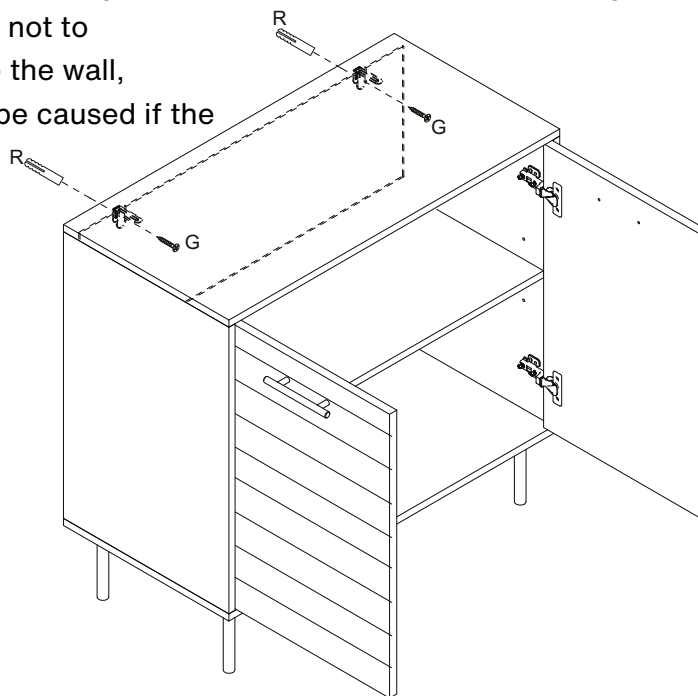


# Step 13

For extra stability, it is recommended that you fix your Cabinet to the wall using hardwares (R and G), as shown.

Screws (G) are fixed through wall brackets and into the wall plugs (R).

Should you choose not to affix the product to the wall, serious injury may be caused if the product tips over.



**VOILA!**  
Now enjoy.



**Warning**

DO NOT sit or stand on the Cabinet as this may damage the product and cause serious bodily injury

# Something not right?

We are always here to help.

## **We make mistakes like every human does.**

Though we always strive to provide the best possible products at competitive prices and the best service in the industry, it's not possible to completely eliminate mistakes. If you experience any dissatisfaction, feel free to contact us immediately. Our in-house customer care team will respond ASAP.



[customerservice@luxenhome.com](mailto:customerservice@luxenhome.com)  
Get response within 24 hrs



909.548.6688  
Mon-Fri 9am-5pm PST/PDT



[www.luxenhome.com/help](http://www.luxenhome.com/help)  
Submit a ticket on our website

## **Things to do to expedite the process**

- Have your order# ready
- Take photos/videos to help us better identify the issues
- DO NOT throw away the packaging

# Happy with our product?

## Leave us a review

It really help us as a small business

- Find the product you purchased on our website (tip: search by SKU) and leave us a review.
- Alternatively, you can always return to the marketplace where you purchased it and leave a review there.

## Share with others

Our customers look for REAL stuff



- Follow us on IG @luxen.home
- Share your #liveluxen moments



**Please save this manual  
for future reference.**