



INSTRUCTIONS

Liberty Security Gate Kit

F776

With Stay-Open Feature & Additional **9cm** Extension

IMPORTANT! READ AND FOLLOW THESE INSTRUCTIONS CAREFULLY AND KEEP FOR FUTURE REFERENCE

If you sell or give away this product, make sure you give this instruction to the new owner.

This safety gate complies with EN1930:2011

F776 fits openings 93cm.



WARNING

WARNING — Incorrect installation can be dangerous;

WARNING — Do not use the safety barrier if any components are damaged or missing;

WARNING — The safety barrier must not be fitted across windows;

WARNING — Never use without mounting cups;

This safety gate is for domestic use only;

This safety gate has been designed for use with children up to 24 months of age;

Never use with a child able to climb over or dislodge/open the gate;

The surfaces that the gate is to be fixed to must be suitable for the purpose and must be structurally sound;

If the barrier is to be used at the top of the stairs, it should not be positioned below top level;

If the gate is to be used at the top of the stairs to prevent the child falling down the stairs, it must not be placed on any stair below the level of the top stair;

This gate has a manual close system;

This gate is intended for indoor use and is not to be exposed to outdoor elements;

Install this gate away from heaters and other sources of heat.

Caution: As part of the pressure-mounted gate engineering, there is a construction bar at the base of the gate opening. To avoid tripping or falling, always use extra caution to step over this construction bar at the base of the gate, particularly when gate is positioned at the top of a staircase.

Can be used in conjunction with a Dreambaby® Watch-the-Step® Gate Ramp (F837) to help avoid tripping.

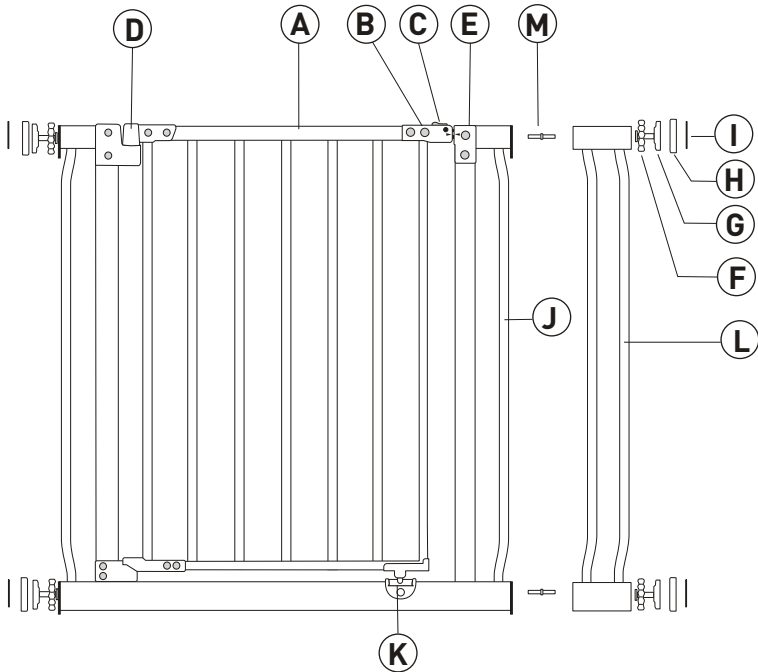
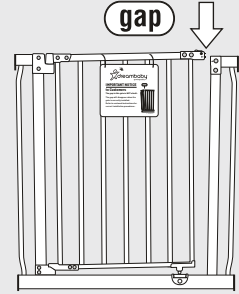
PARTS LIST

- A - Gate Panel
- B - Upper Locking Set
- C - Gate Release Switch
- D - Smart Open-Hold System
- E - Right Upper Corner
- F - Tension Knobs
- G - Bolts with Rubber Pads
- H - Mounting Cups
- I - Double-sided Adhesive Tape
- J - Gate Frame
- K - Lower Locking Set
- L - Gate Extension Frame
- M - Extension Pins

NOTICE TO CUSTOMERS

THE GAP IN THIS GATE IS NOT A FAULT.

THE GAP WILL DISAPPEAR WHEN THE GATE IS CORRECTLY INSTALLED.



M x 2



G x 4



WARNING: This package contains small parts and sharp points in an unassembled state. Keep out of reach of children. Adult assembly required.



H x 4



I x 4



x 4

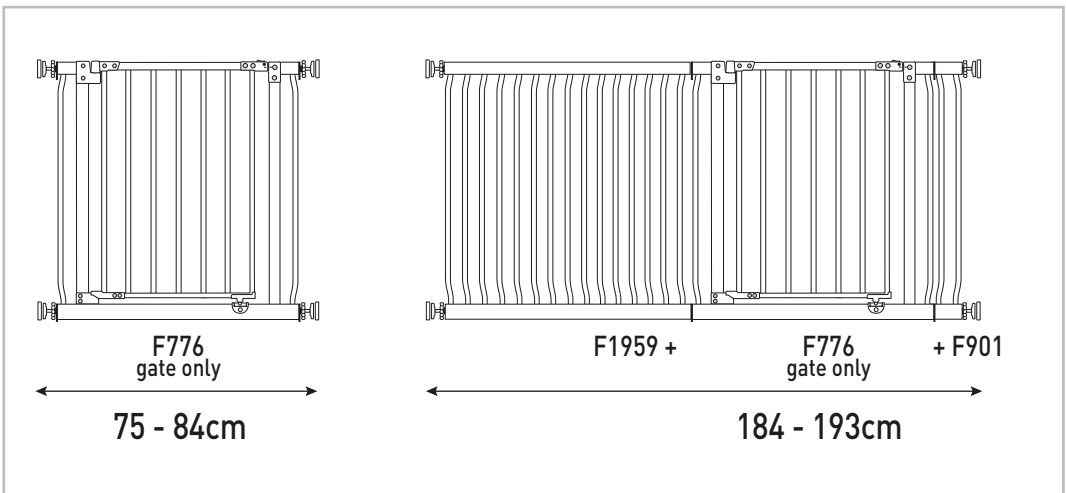
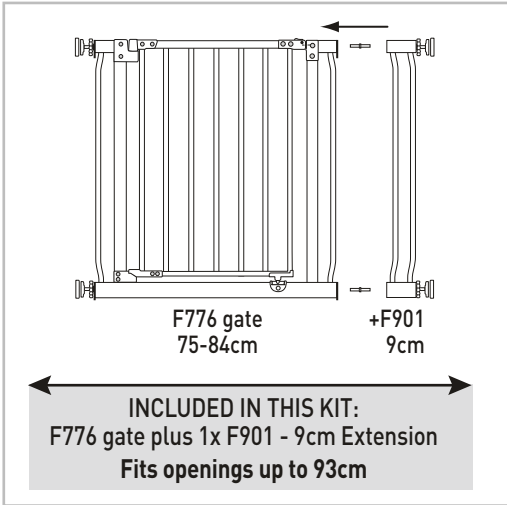
INSTALLATION



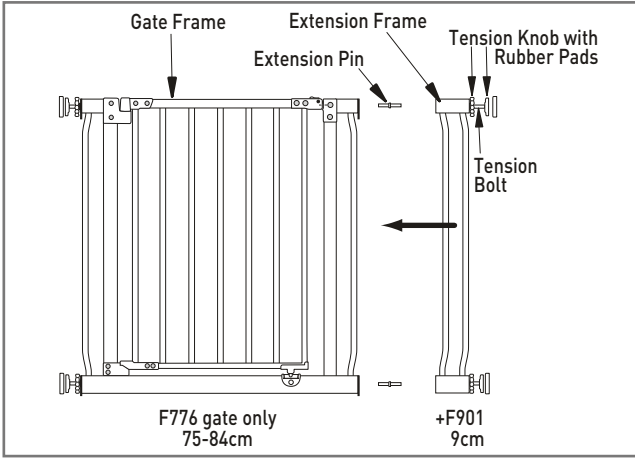
Ensure the surface you are mount the gate is structurally sound such as solid timber, brick or masonry.

For plaster / gyprock surface, locate the timber beam or stud behind and mount in this location (mounting on plaster / gyprock alone is not strong enough and not safe). Do not mount to glass.

1. Measure the width of the opening of where you intend to install the gate.
For openings over 93cm select the appropriate Gate Extension(s), sold separately. Some examples are shown below.



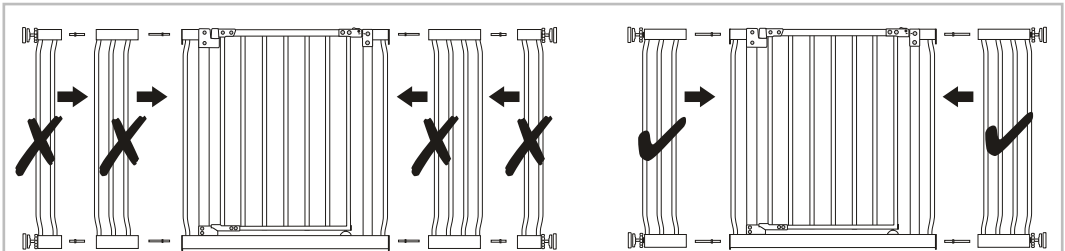
2. To use with Gate Extensions.



NOTE: Wider gate extensions can be used on the F776 gate section. Replace the included 9cm gate extensions with larger options, listed below under **Gate Extensions** (sold separately).

Insert Extension Pins into the holes on the outside of the Gate Frame (2A / 2B).
Next, slip Extension Frames over the Pins.
Finally, slide in the Tension Knobs and Bolts with Rubber Pads.

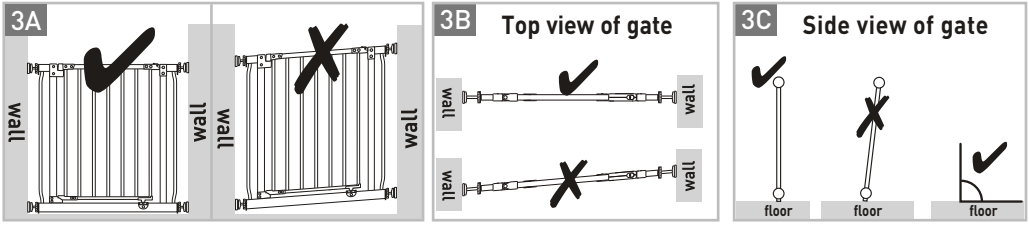
*For 9cm Gate Extensions	For all other Gate Extensions	Gate Extensions (sold separately)
<p>2A Gate Frame</p> <p>Insert LONG END of EXTENSION PIN into Gate Frame</p> <p>Tension Knob Gate Extension 9cm</p>	<p>2B Gate Frame</p> <p>Insert SHORT END of EXTENSION PIN into Gate Frame</p> <p>Tension Knob Gate Extension 27cm</p>	<p>*F901 - 9cm</p> <p>F902 - 18cm F903 - 27cm F1951 - 36cm F1953 - 45cm F1955 - 54cm F1957 - 63cm F1959 - 100cm</p>



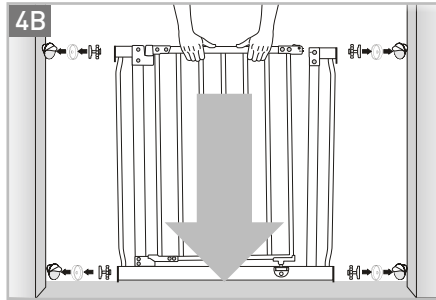
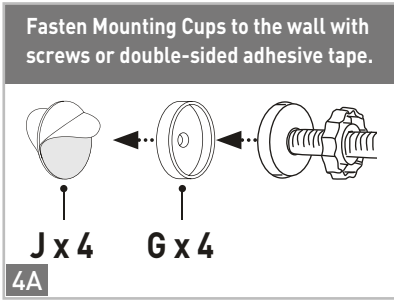
WARNING

A maximum of 2 Gate Extensions can be used, 1 on each side of gate. Do NOT install 2 Gate Extensions on the same side of gate.

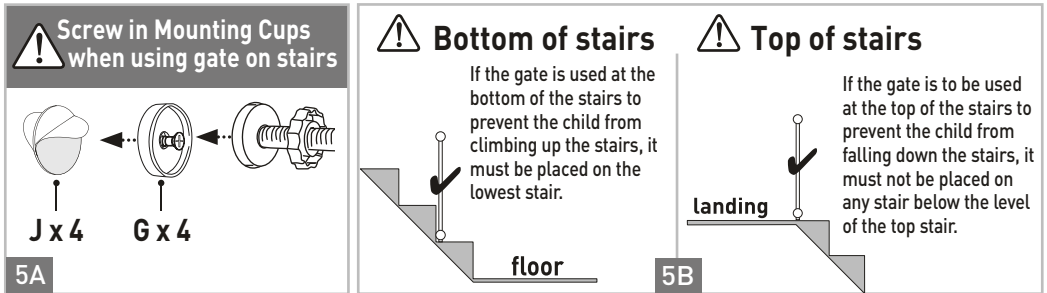
3. To Install, place the gate in the opening so that the bottom of the Gate Frame is completely flat on the floor (3A), and it is perpendicular to the openings and the floor (3B & 3C).



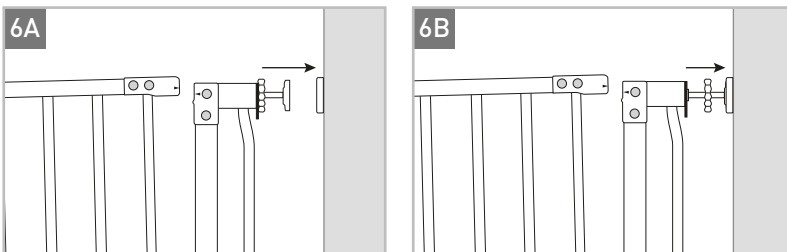
4. Then fasten the Mounting Cups to the wall with screws or double-sided adhesive tape (4A).
 Note: Ensure that they are aligned vertically, so that the Mounting Cups at the top are directly above the ones at the bottom (4B).



5. For use on stairs (5A & 5B).



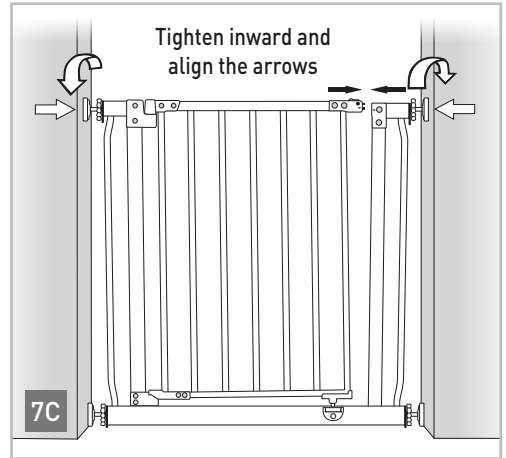
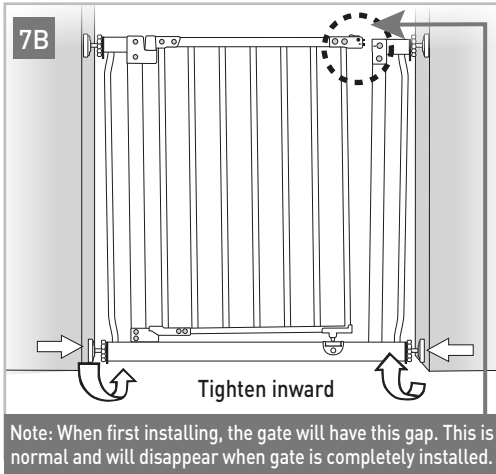
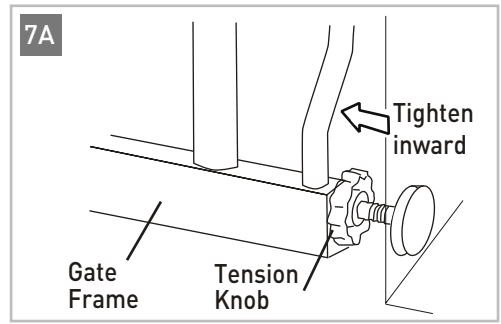
6. Partially slide the Bolts with Rubber Pads and Tension Knobs outwards (6A) from the Gate Frame / Extension Frames into Mounting Cups (6B).



- 7.** Tighten both of the bottom Tension Knobs (7A) by turning them clockwise at the same time (7B & 7C).

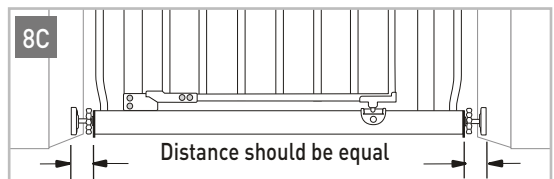
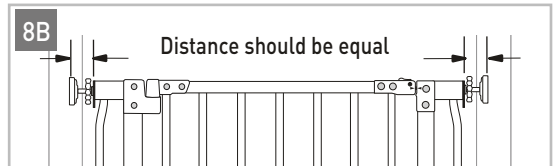
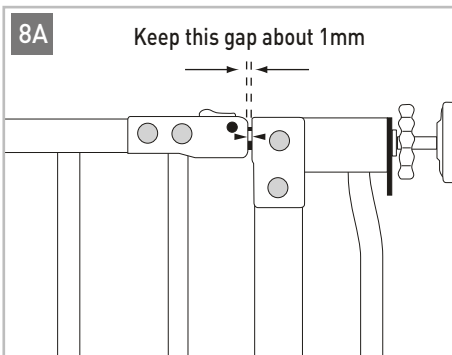
NOTE: Make sure the bottom of the gate frame remains completely flat on the floor.

Next, tighten both of the Tension Knobs at the top at the same time by turning them clockwise (7C).



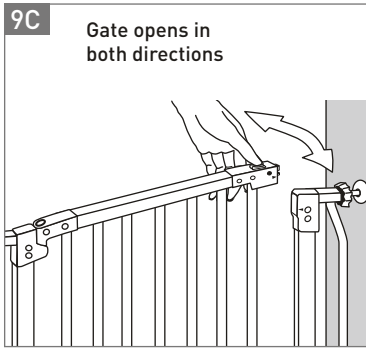
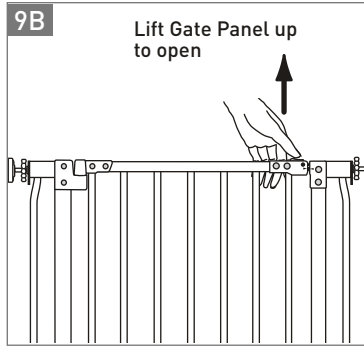
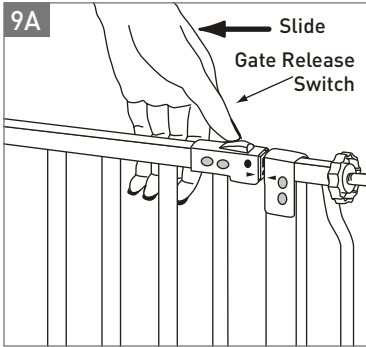
- 8.** Tighten the Tension Knobs until the two Arrows, located on the Upper Locking Set and on the Right Upper Corner, align horizontally (8A).

When correctly tightened, the distances between Tension Knobs and Rubber Pads should be equal (8B, 8C).

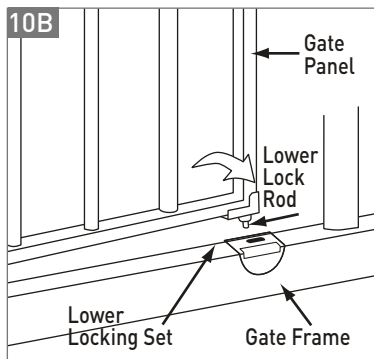
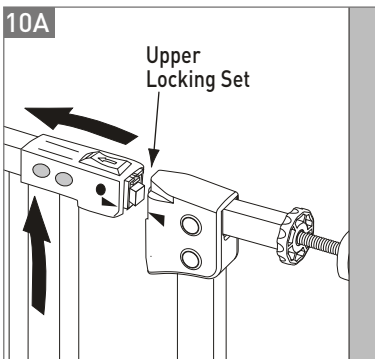


OPERATION

- 9.** To open the gate: Slide the Gate Release Switch (9A). Lift the Gate Panel upward (9B). Gate open in both directions (9C).



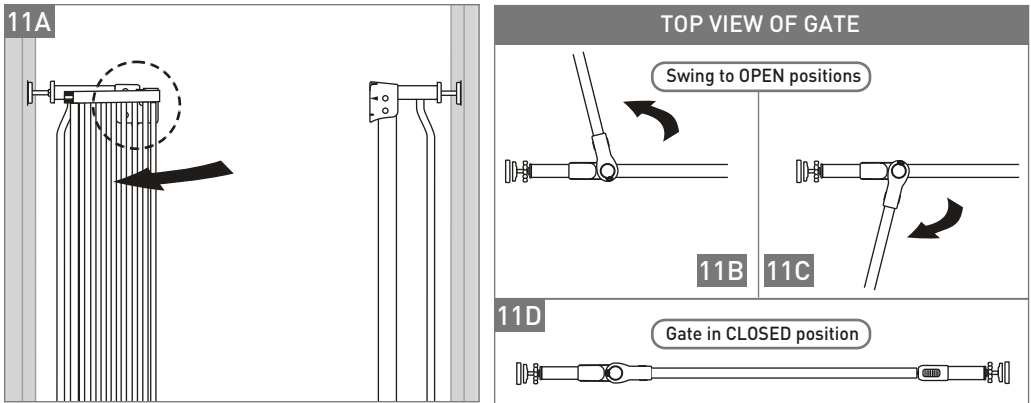
- 10.** Close the gate until it is fully locked with Upper (10A) and Lower Locking sets (10B) engaged.



11. For easy walk through use Smart Stay Open System:

To engage the Smart Stay Open System swing gate in chosen direction to its maximum opening (11A). Gate will stay open (11B, 11C). Close as required (11D).

Caution: When using the Stay Open System, the automatic closing feature is not in operation. Keep gate closed when children are present.




MAINTENANCE & CARE

- Gate must be fitted according to instructions, to ensure it works correctly.
- Regularly check Tension Knobs, Rubber Pads and Mounting Cups to make sure the gate is securely in place and closes correctly. Adjust as required.
- Only use Dreambaby® spare parts. Any additional and replacement parts should be obtained from Tee-Zed Products.
- To clean, wipe surface with a damp cloth using mild detergent and warm water. Never clean with abrasive, ammonia, bleach or spirit based type cleaners.

CONTACT DETAILS

Tee-Zed acknowledges that its customers may be entitled to statutory consumer guarantees and does not seek to exclude or limit them. These guarantees include that Tee-Zed's products are of acceptable quality. This Tee-Zed product is for the specific purpose detailed in the instructions and packaging and Tee-Zed considers use outside of that purpose to be abnormal use. To the maximum extent permitted by law, Tee-Zed does not accept any liability for damage:

- arising from abnormal use of the products;
- caused by installation or removal of the products other than in accordance with the supplied installation and removal instructions; or
- arising under the law of tort or contract.

Dreambaby® products by 

Tee-Zed Products Pty Ltd
PO Box 2022, Bondi Junction NSW 1355
Australia Tel: +61 (0)2 9386 4000
info@tee-zed.com.au

Tee-Zed Products (N.Z.) Ltd
PO Box 64013, Botany Town Centre Auckland
New Zealand Tel: +64 (0)9 274 8788
info@tee-zed.co.nz

Tee-Zed Products Ltd
PO Box 29227, Dunfermline, KY12 2DN
United Kingdom Tel: +44 (0)844 800 9445
info@tee-zed.co.uk

www.dreambaby.com.au

www.dream-baby.co.nz

www.dreambaby.co.uk

facebook.com/Dreambabysafety

youtube.com/user/Dreambabytv



Broadcast Yourself™

Made in Hangzhou, Zhejiang, China.



©2016 Tee-Zed Products Pty Ltd