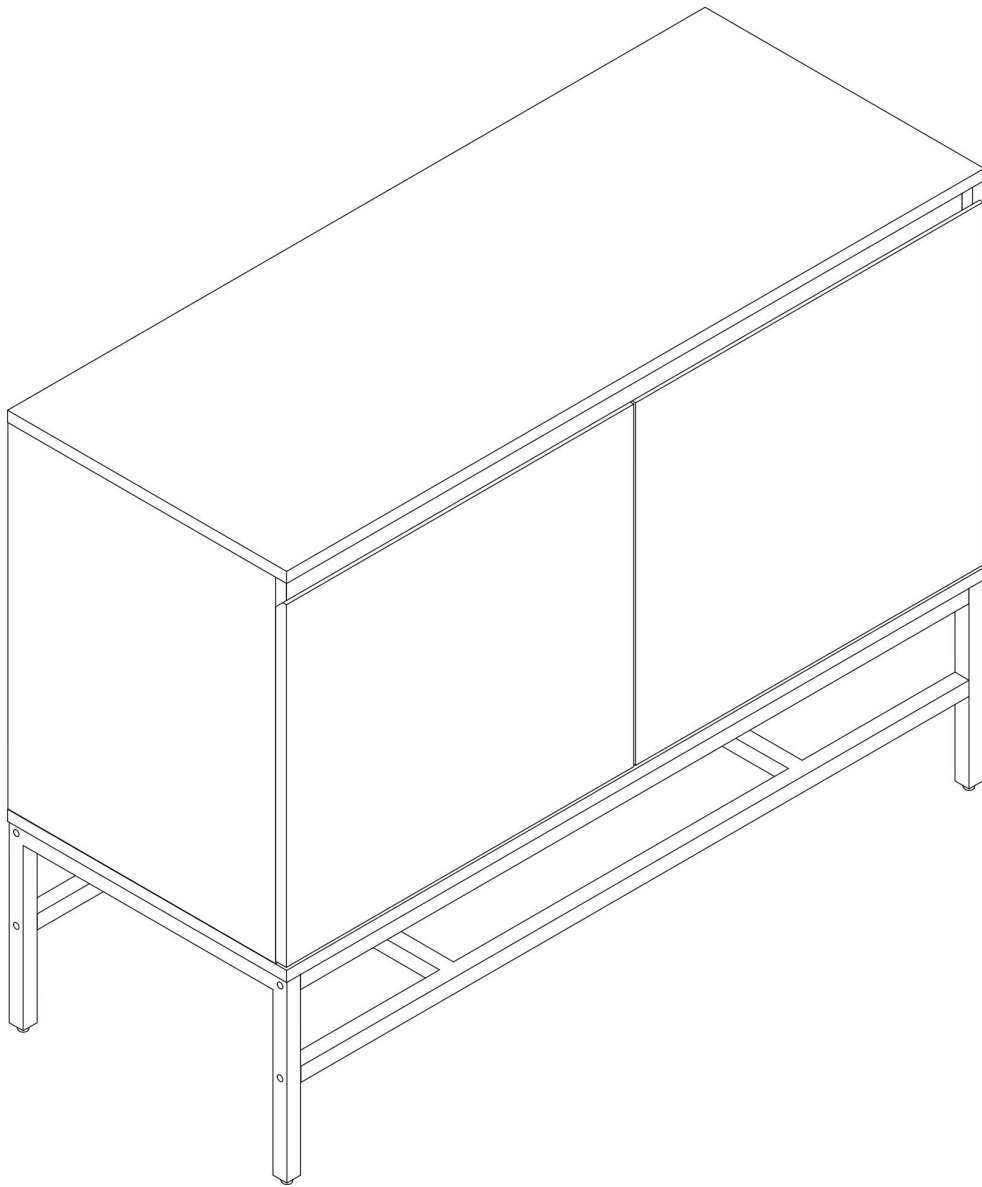


# ASSEMBLY INSTRUCTION

## SIDEBOARD



# ASSEMBLY INSTRUCTION

Please read these instructions fully before starting assembly:

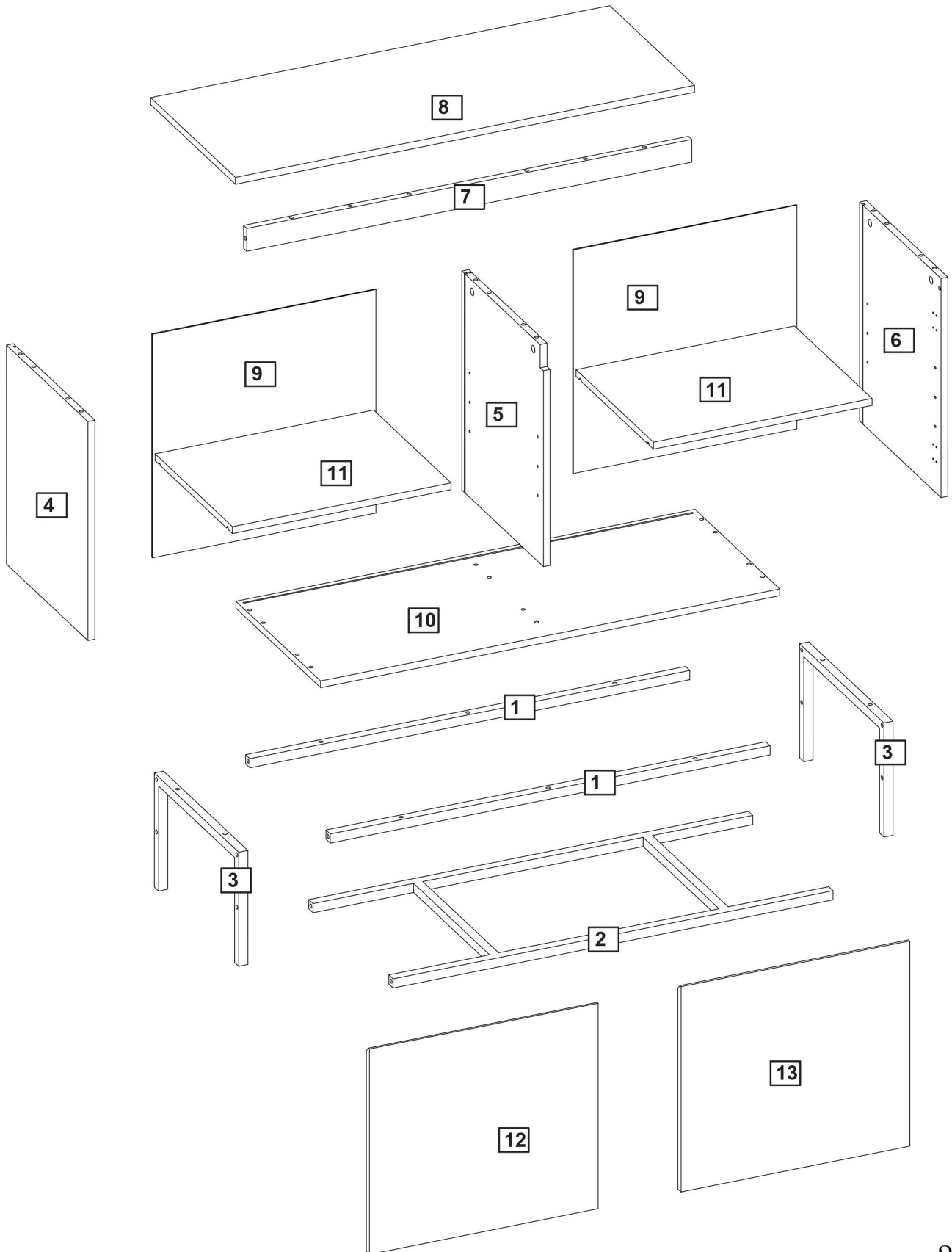
Tools required: Phillips screwdriver (medium & large)

1. Check you have all the components and tools listed on the following pages.
2. Remove all fittings from the plastic bags and separate them into their groups.
3. Keep children and animals away from the work area, small parts could choke if swallowed.
4. Make sure you have enough space to layout the parts before starting.
5. During assembly do not stand or put weight on the product, this could cause damage.
6. Assemble the item as close to its final position (in the same room) as possible.
7. Assemble on a soft level surface to avoid damaging the unit or your floor.
8. Parts of the assembly will be easier with 2 people.
9. To reduce the likelihood of damaging your product please ensure that your power drill is set on a low torque setting.
10. Assemble all parts and bolts loosely during assembly, only once the product is complete should you fully tighten the bolts.
11. Regularly check and ensure that all bolts and fittings are tightened properly.
12. Please do not place items that exceed the load capacity.

Care and maintenance:

Only clean using a damp cloth and mild detergent, do not use bleach or abrasive cleaners.


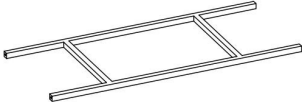
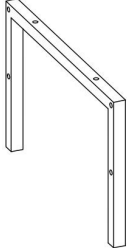
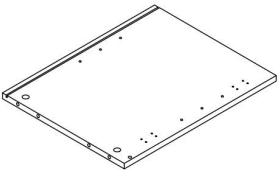
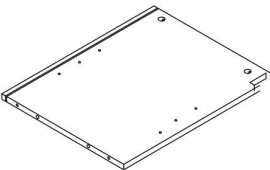
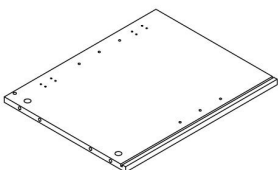
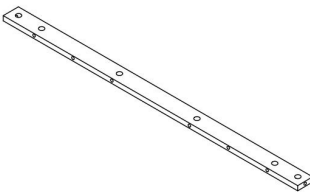
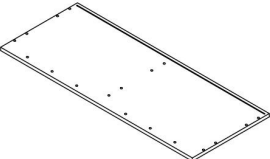
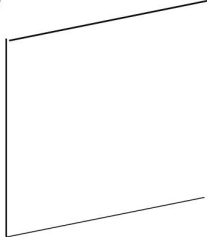
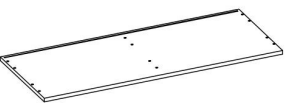
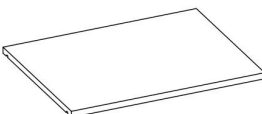
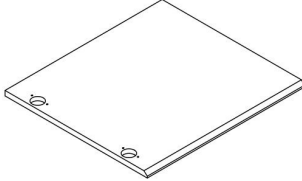
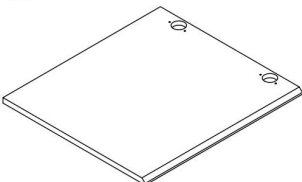
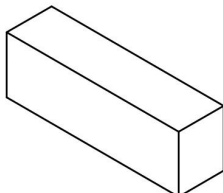
# ASSEMBLY INSTRUCTION



# Part List

Please check you have all the panels listed below



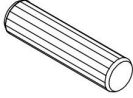
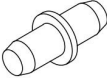


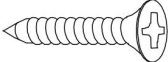
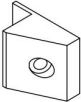
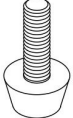

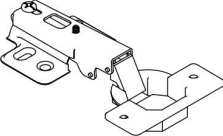
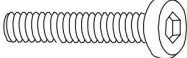
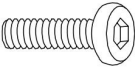
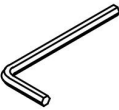
**Note:** The quantities below are the correct amount to complete the assembly. In some cases more fittings may be supplied than are required.

<p>①</p>  <p>Metal middle support bar 2 PCS</p>	<p>②</p>  <p>Metal shelf 1 PC</p>	<p>③</p>  <p>Metal leg 2 PCS</p>	<p>④</p>  <p>Left Panel 1 PC</p>
<p>⑤</p>  <p>Medial panel 1 PC</p>	<p>⑥</p>  <p>Right Panel 1 PC</p>	<p>⑦</p>  <p>Top Fascia 1 PC</p>	<p>⑧</p>  <p>Top Panel 1 PC</p>
<p>⑨</p>  <p>Rear panel 2 PCS</p>	<p>⑩</p>  <p>Bottom Panel 1 PC</p>	<p>⑪</p>  <p>Center Shelf 2 PCS</p>	<p>⑫</p>  <p>Left Door 1 PC</p>
<p>⑬</p>  <p>Right Door 1 PC</p>	<p>⑬</p>  <p>Hardware 1 PC</p>		

# Hardware list

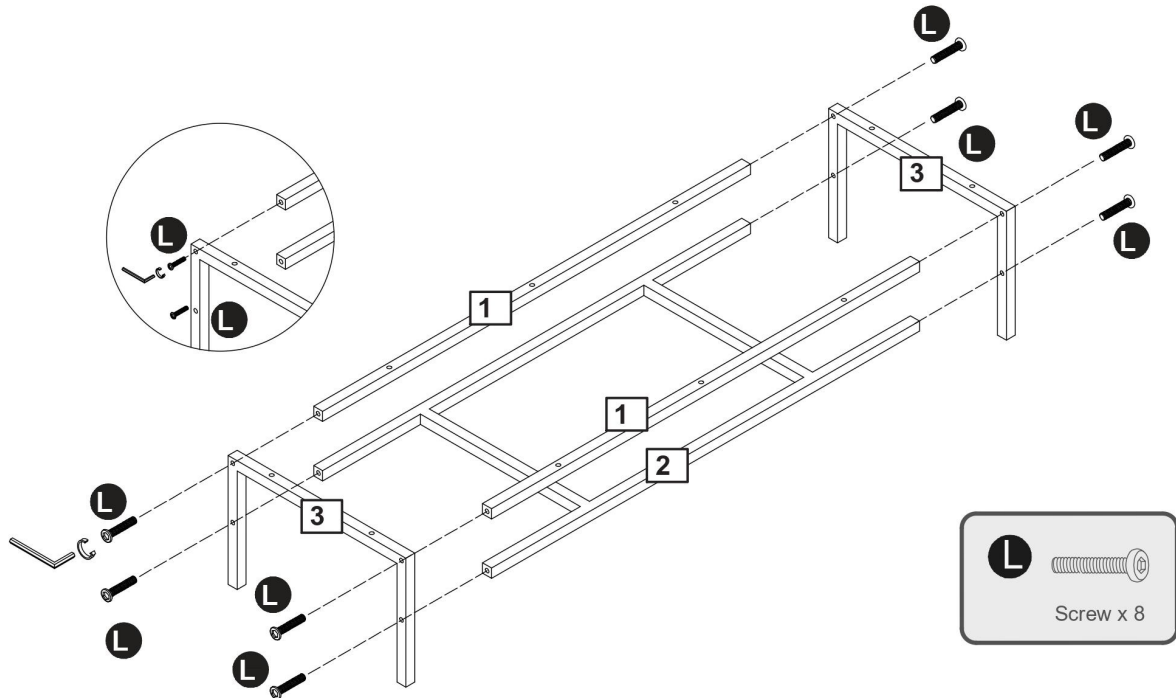
Please check you have all the panels listed below

**Note:** The quantities below are the correct amount to complete the assembly. In some cases more fittings may be supplied than are required.

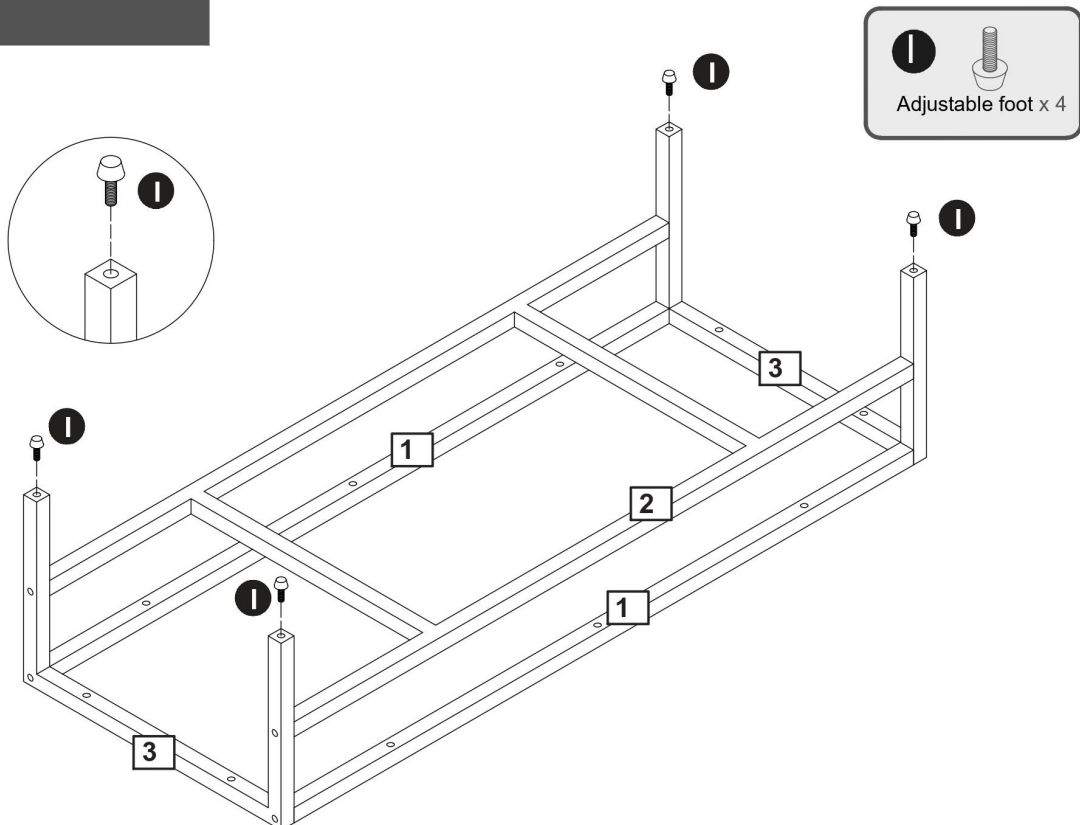
<p><b>A</b></p>  <p>Male Camlock x 12</p>	<p><b>B</b></p>  <p>Female Camlock x 12</p>	<p><b>C</b></p>  <p>Dowel x 14</p>	<p><b>D</b></p>  <p>Shelf Support Pin x 8</p>
<p><b>E</b></p>  <p>6.8*48mm Screw x 6</p>	<p><b>F</b></p>  <p>Wall Fixing Pack x 2</p>	<p><b>G</b></p>  <p>3*17mm Screw x 8</p>	<p><b>H</b></p>  <p>Plastic wedge x 8</p>
<p><b>I</b></p>  <p>Adjustable foot x 4</p>	<p><b>J</b></p>  <p>3.5*14mm Screw x 24</p>	<p><b>K</b></p>  <p>Door Hinge x 4</p>	<p><b>L</b></p>  <p>6*40mm Screw x 8</p>
<p><b>M</b></p>  <p>6*30mm Screw x 10</p>	 <p>M4 x 1</p>		

# ASSEMBLY INSTRUCTION

## Step 1

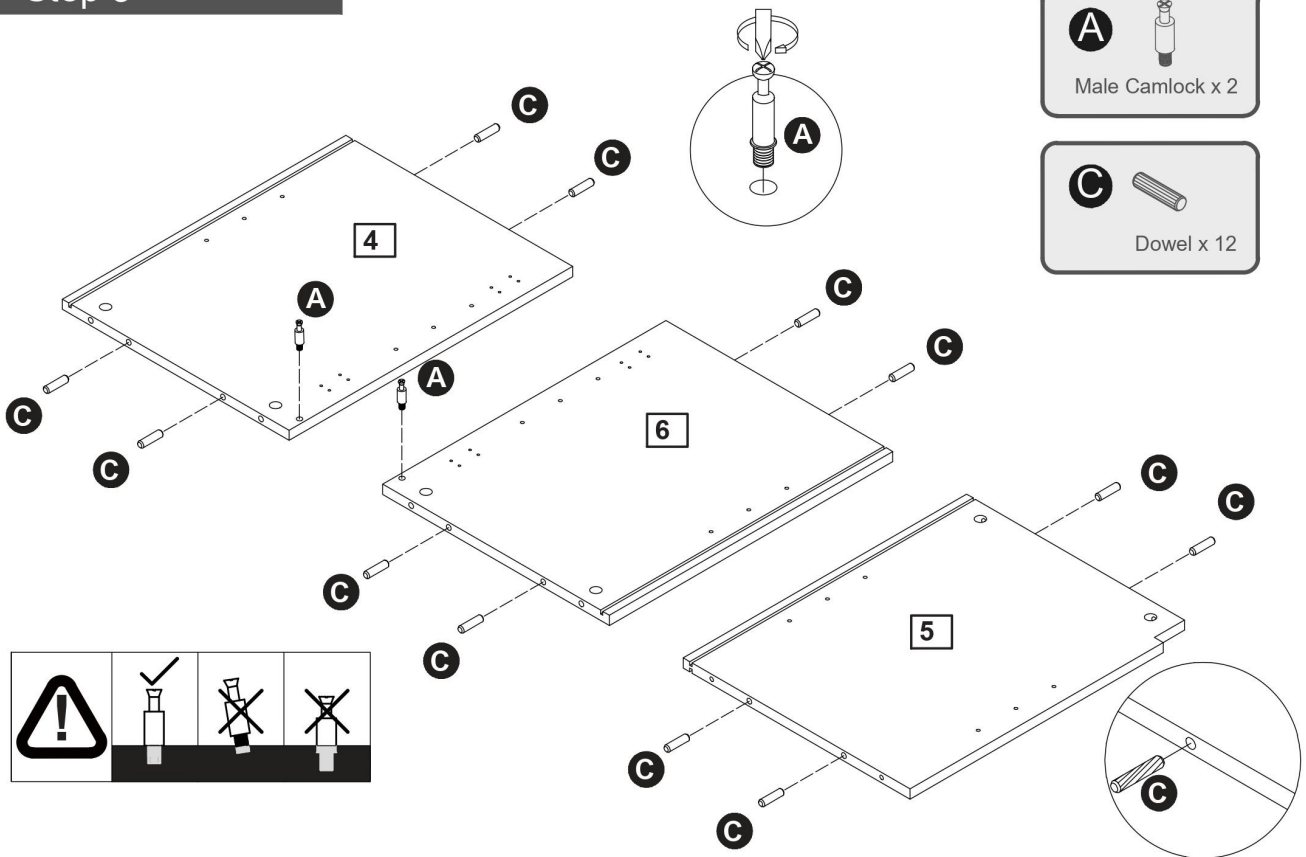


## Step 2

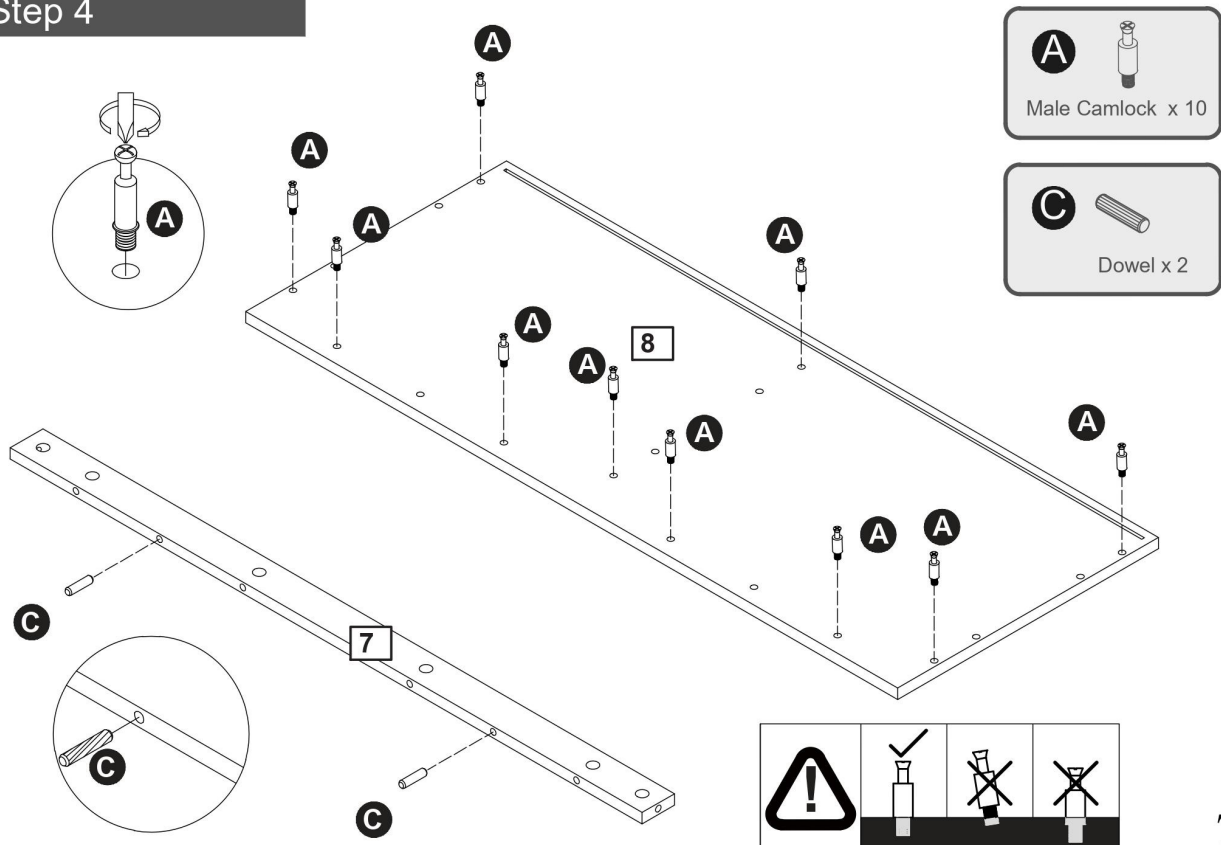


# ASSEMBLY INSTRUCTION

## Step 3

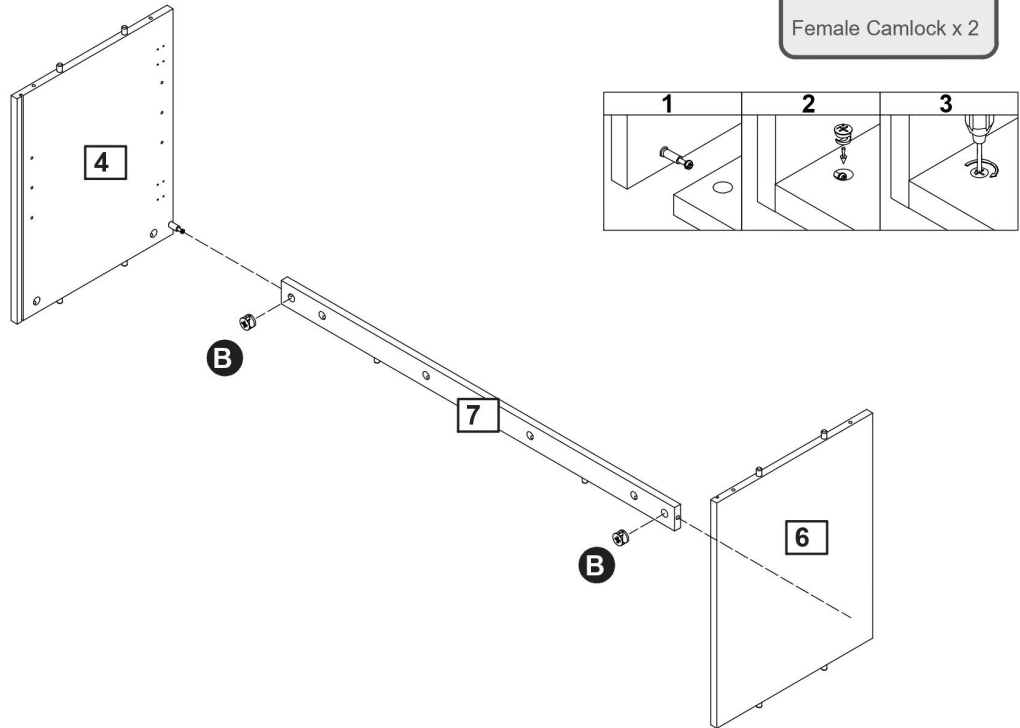
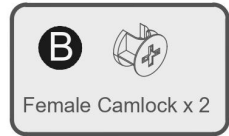


## Step 4

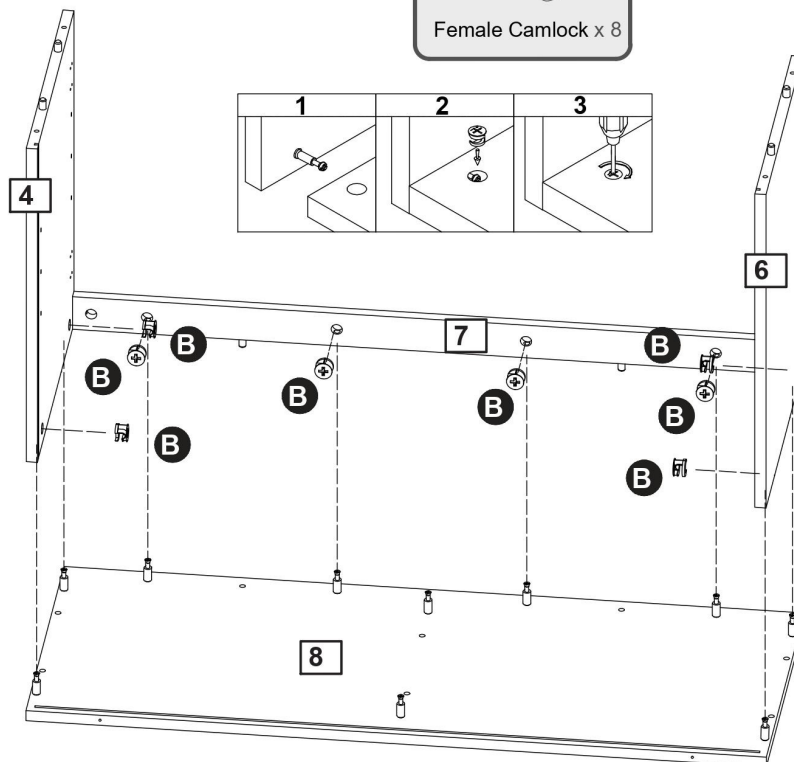
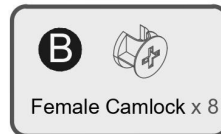


# ASSEMBLY INSTRUCTION

## Step 5

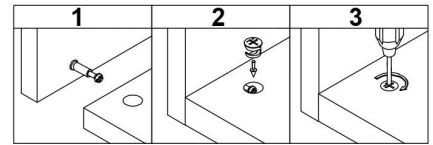
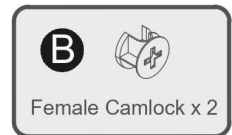
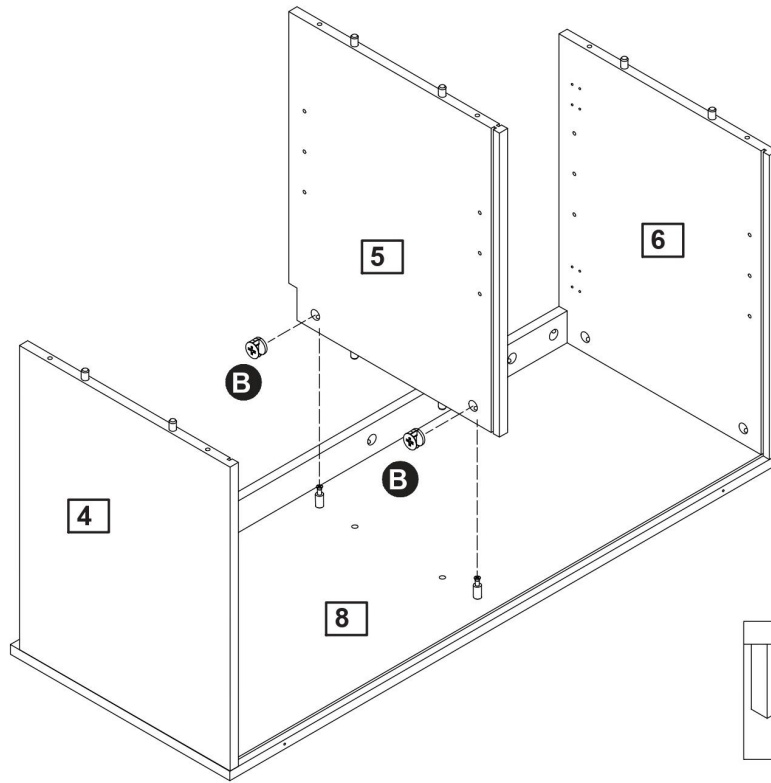


## Step 6

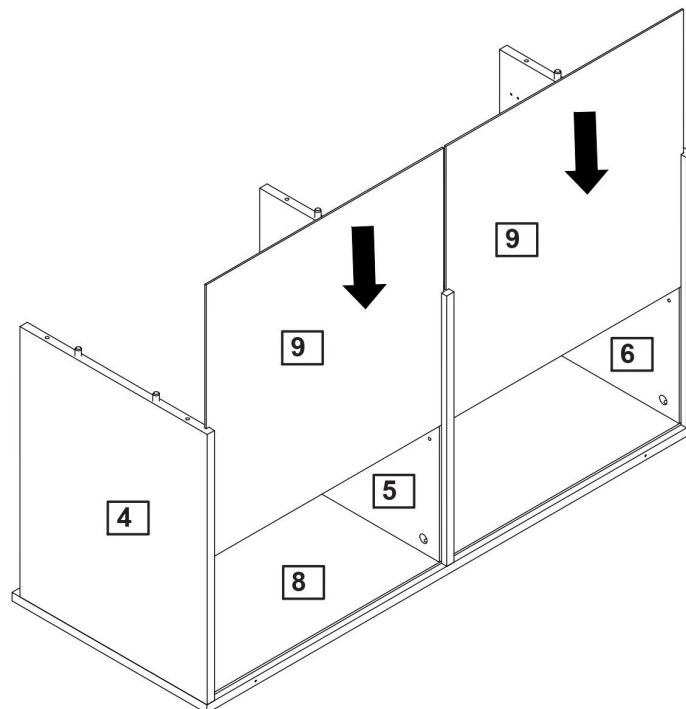


# ASSEMBLY INSTRUCTION

## Step 7

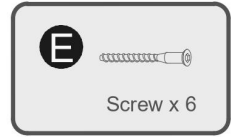
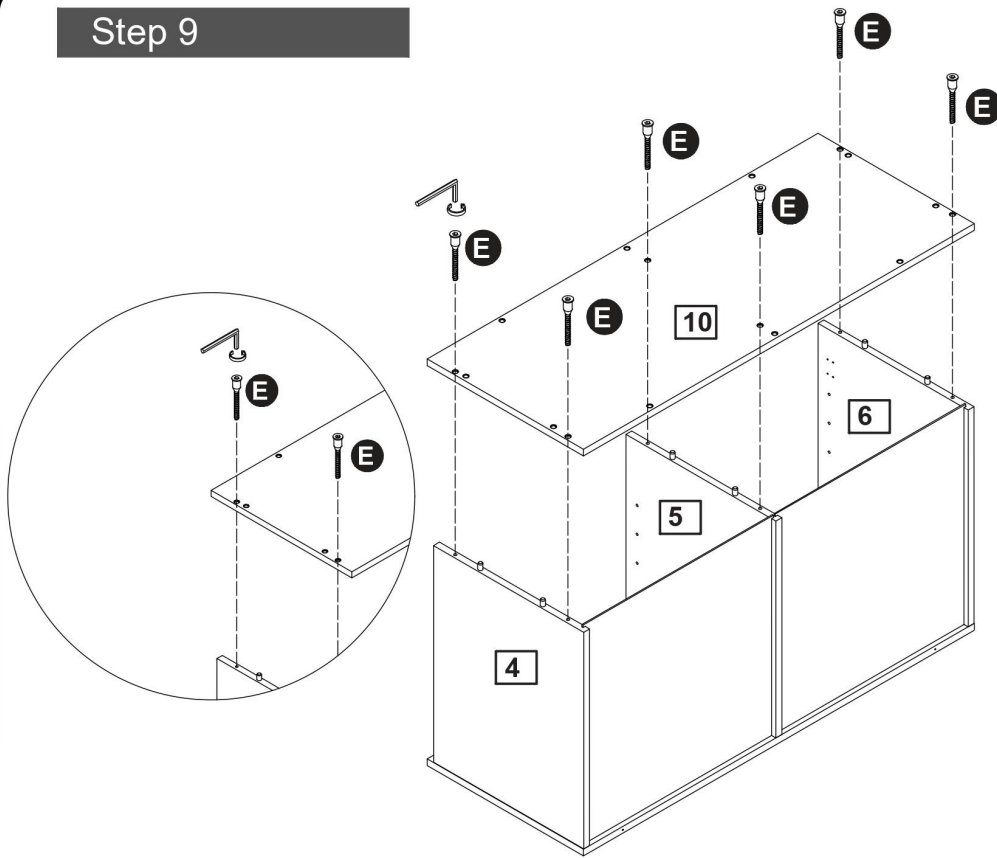


## Step 8

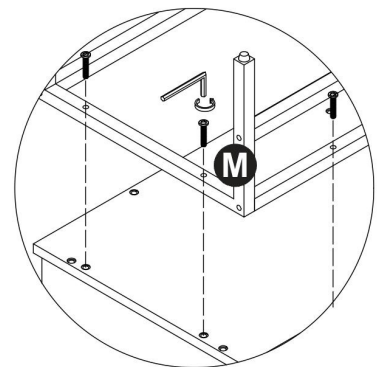
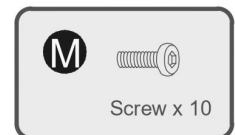
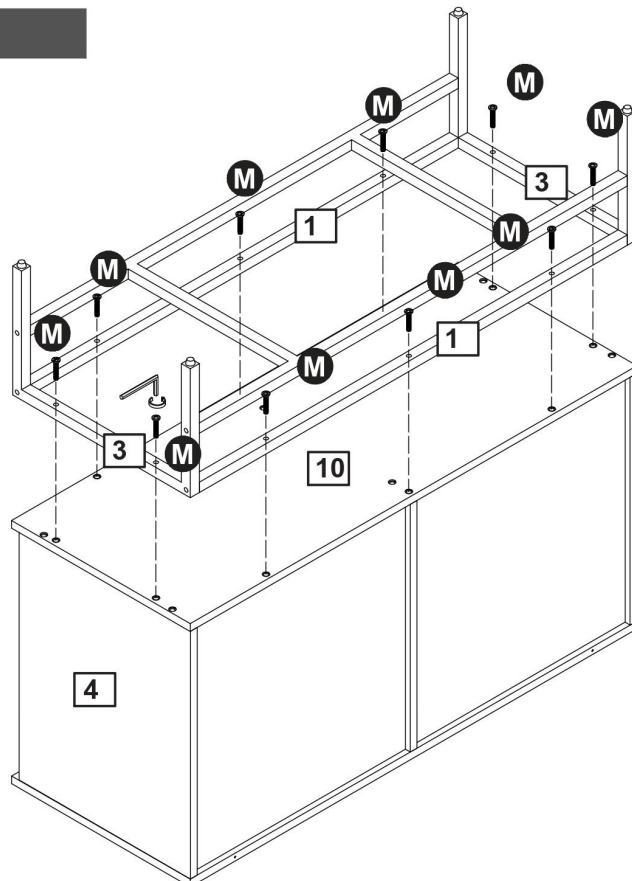


# ASSEMBLY INSTRUCTION

## Step 9

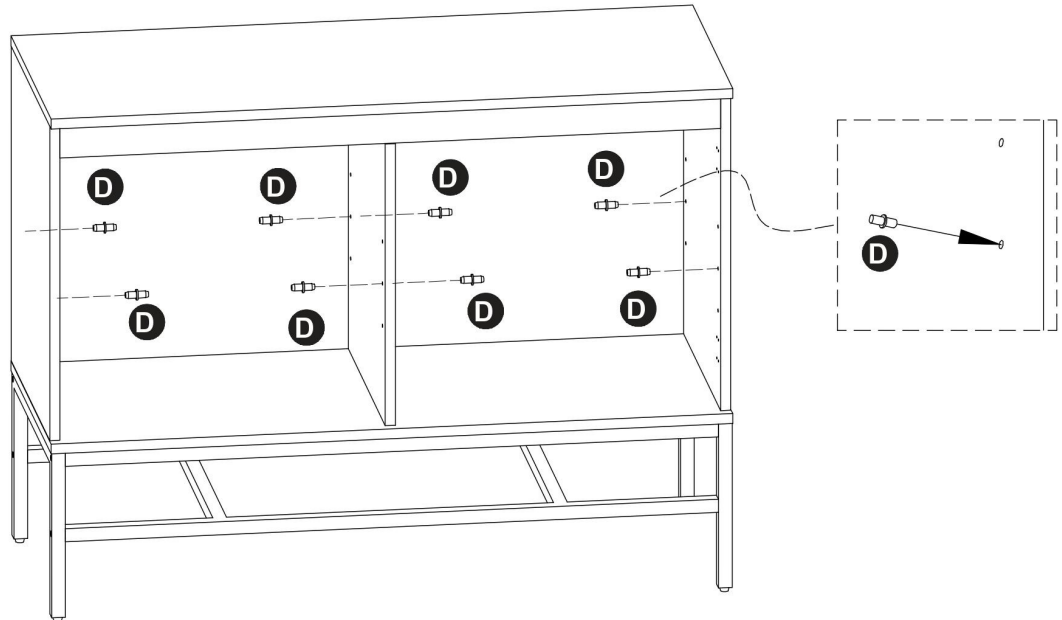


## Step 10

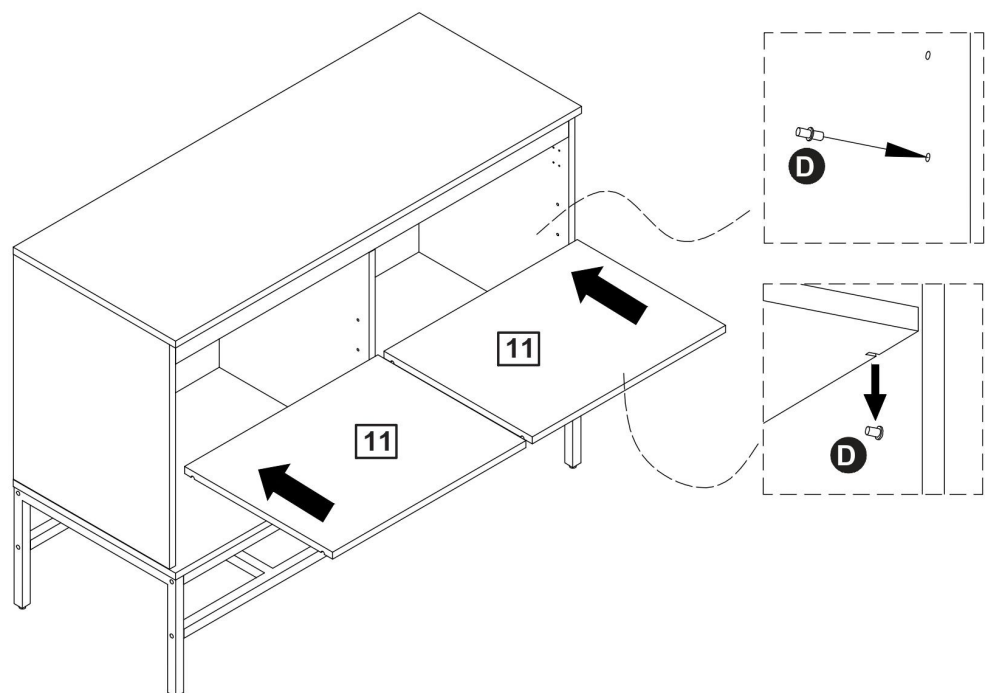


# ASSEMBLY INSTRUCTION

## Step 11



## Step 12



# ASSEMBLY INSTRUCTION

## Step 13

**J**

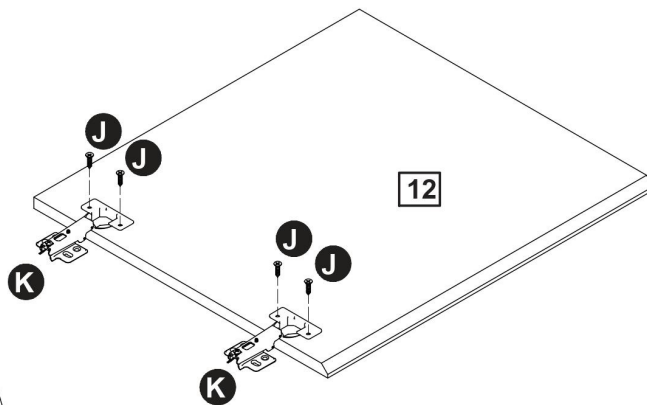
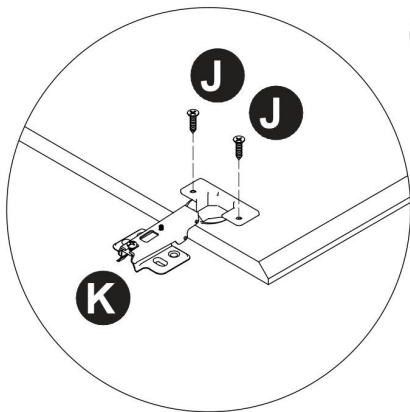


Screw x 4

**K**



Door Hinge x 2



## Step 14

**J**

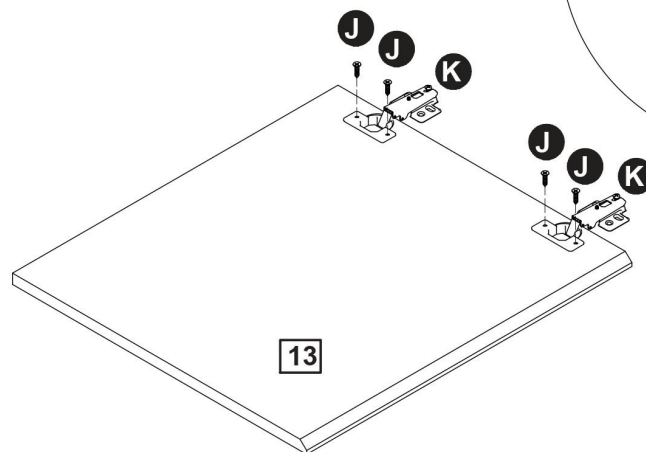
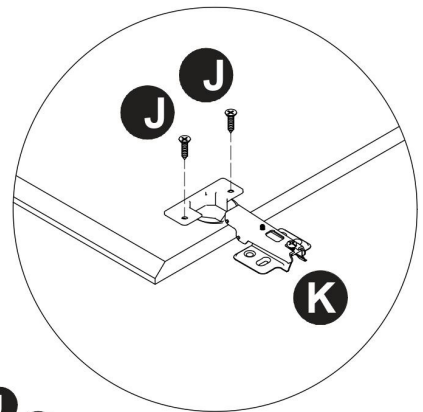


Screw x 4

**K**



Door Hinge x 2



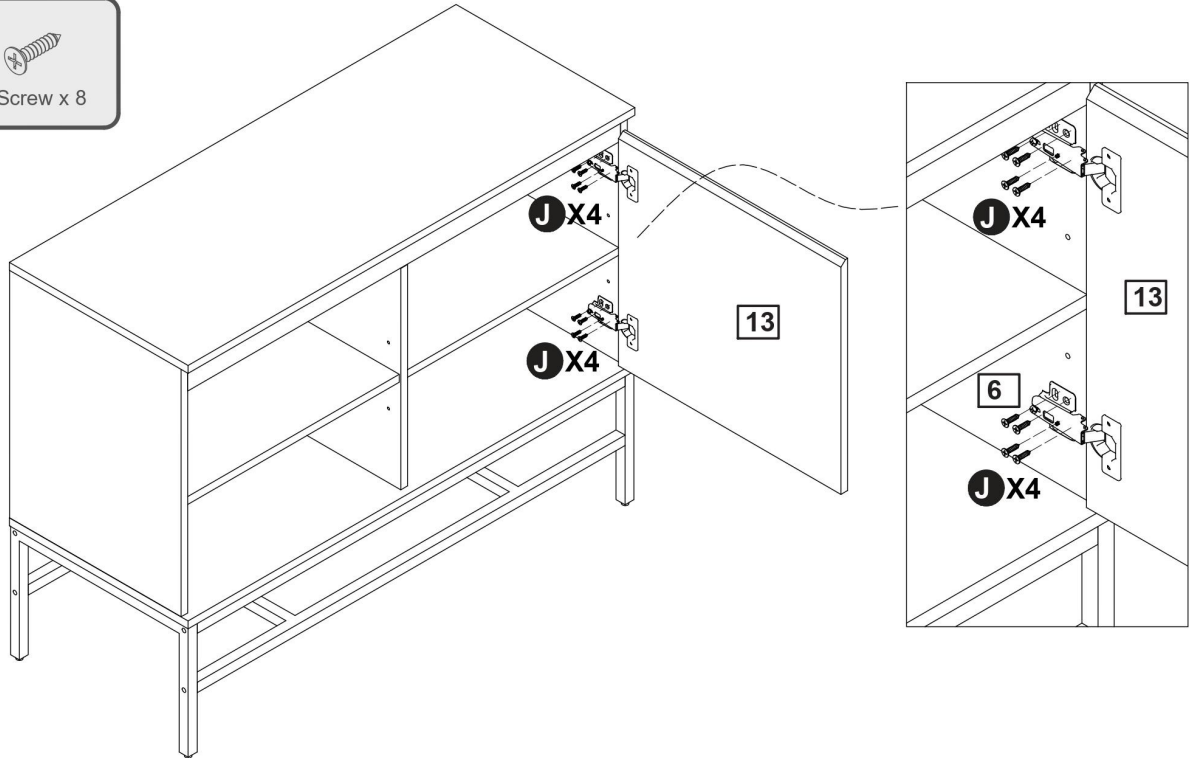
# ASSEMBLY INSTRUCTION

## Step 15

**J**



Screw x 8

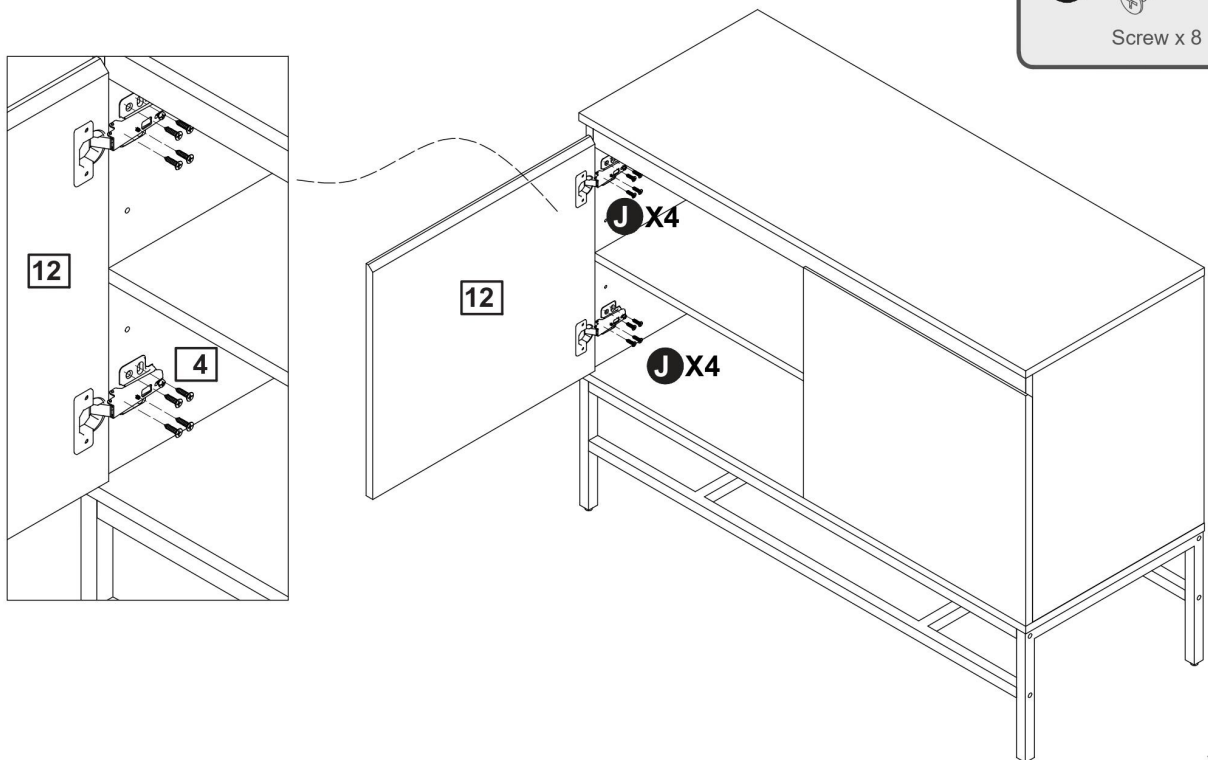


## Step 16

**J**

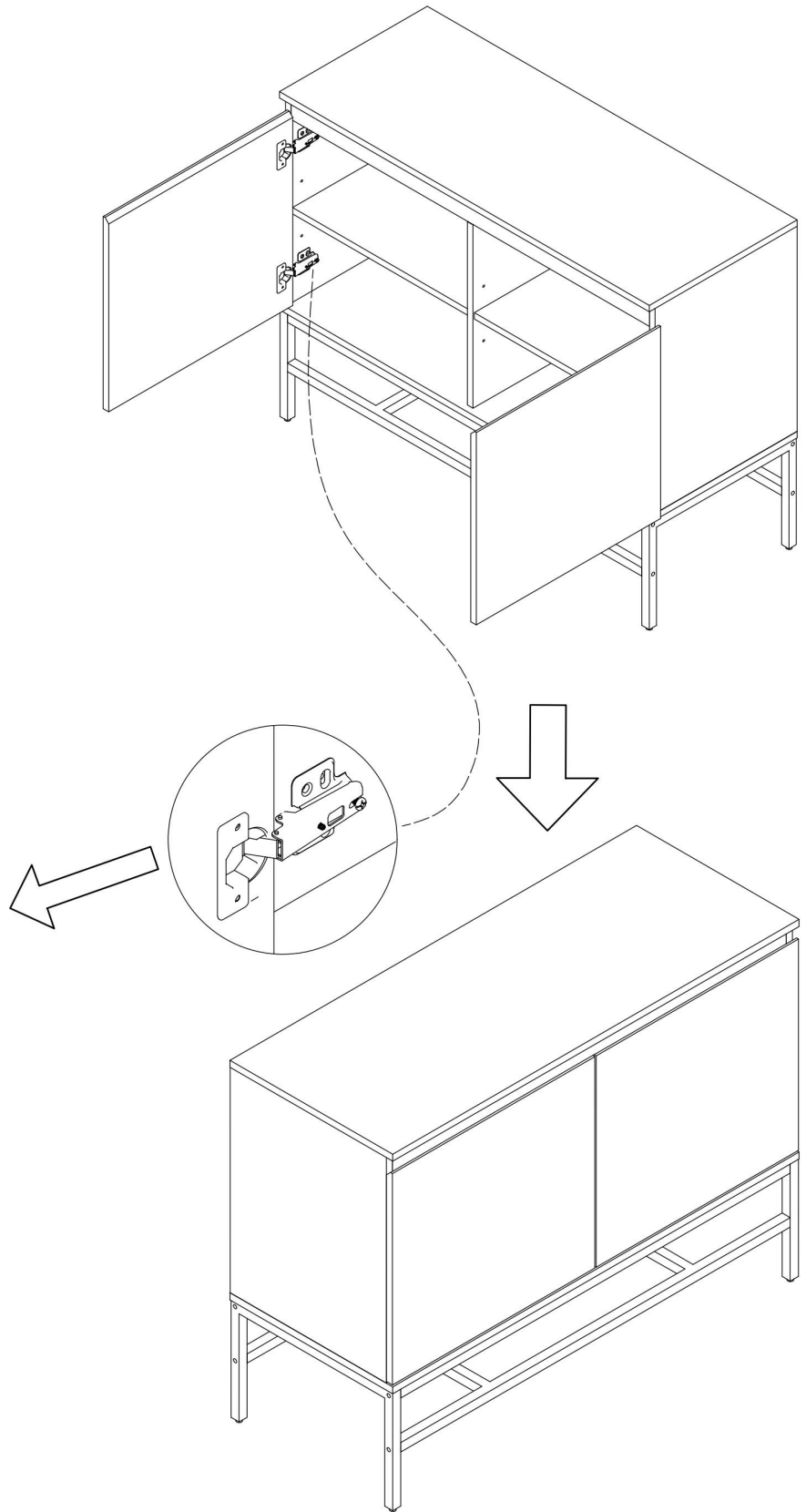
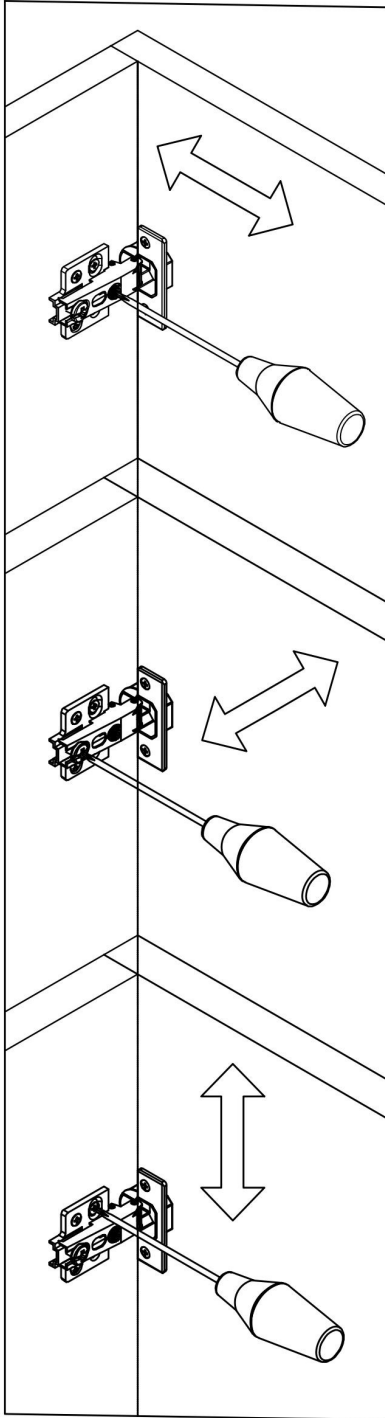


Screw x 8



# ASSEMBLY INSTRUCTION

Step 17



# ASSEMBLY INSTRUCTION

## Step 18

**G**

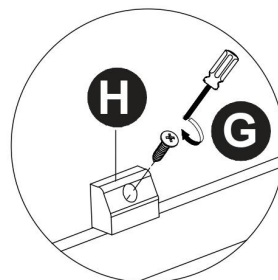
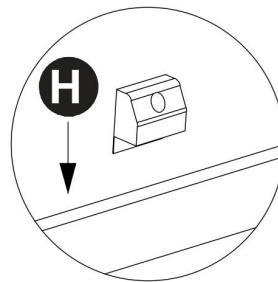
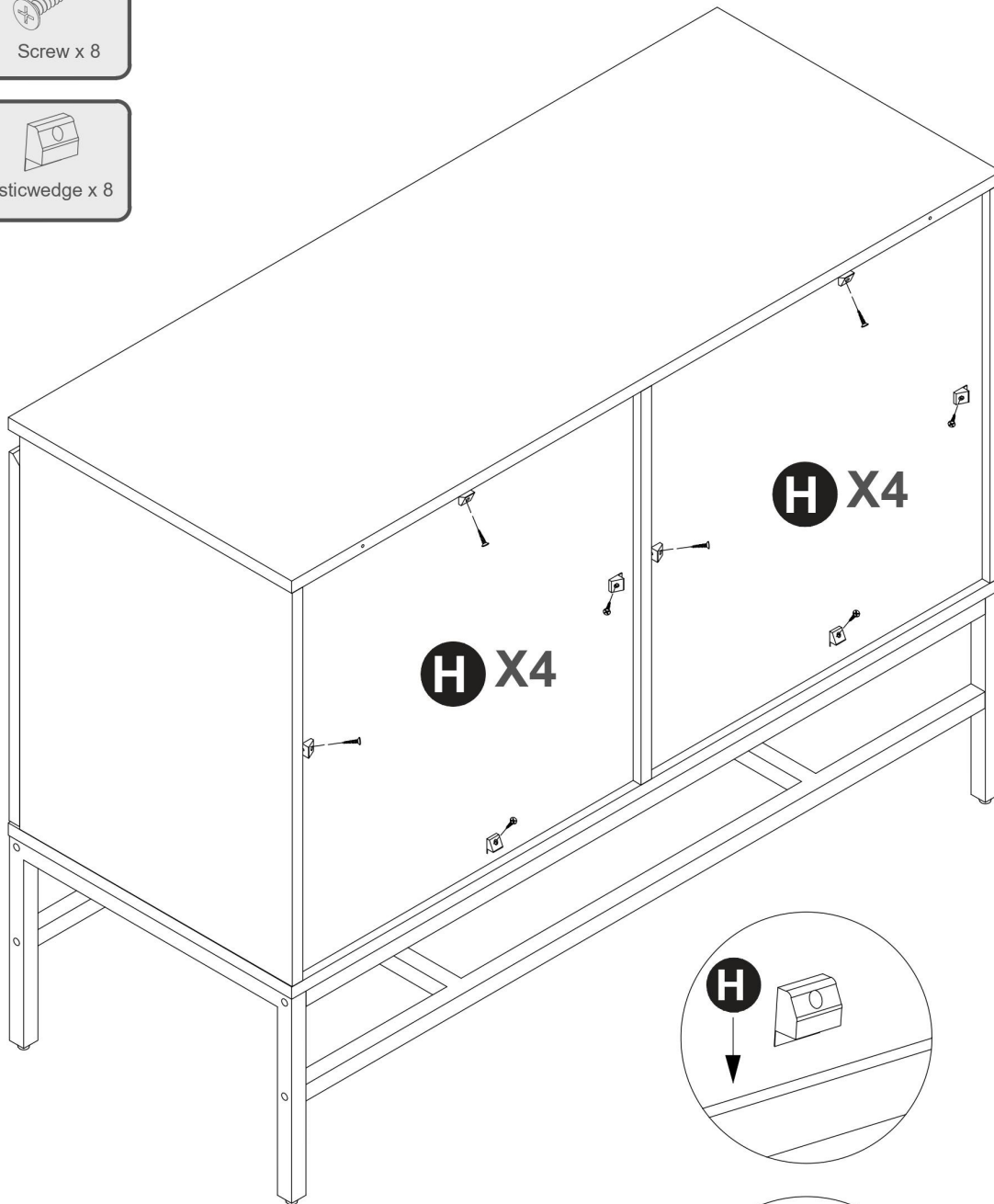


Screw x 8

**H**



Plasticwedge x 8



# ASSEMBLY INSTRUCTION

## Step 19

The unit is floor standing, but it is recommended that the unit is secured to the wall.

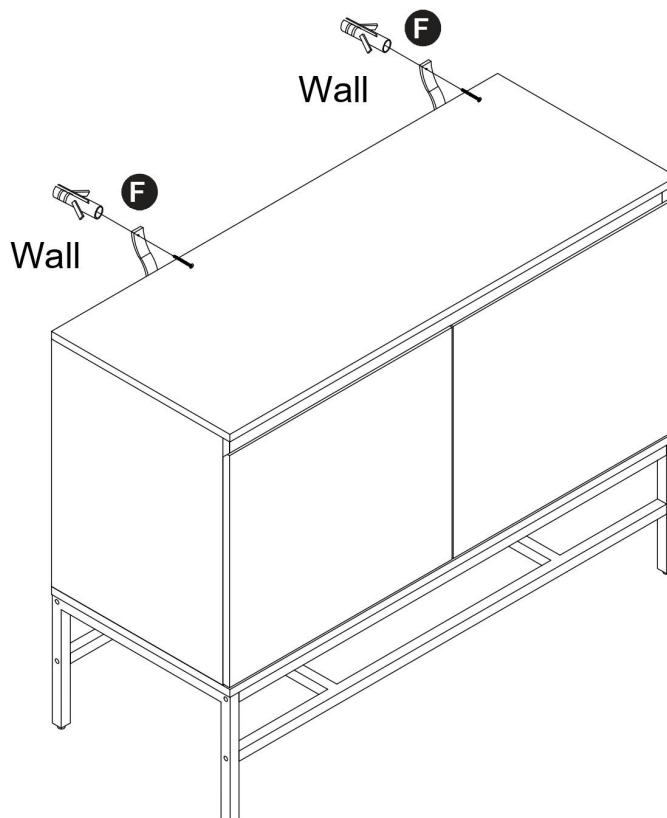
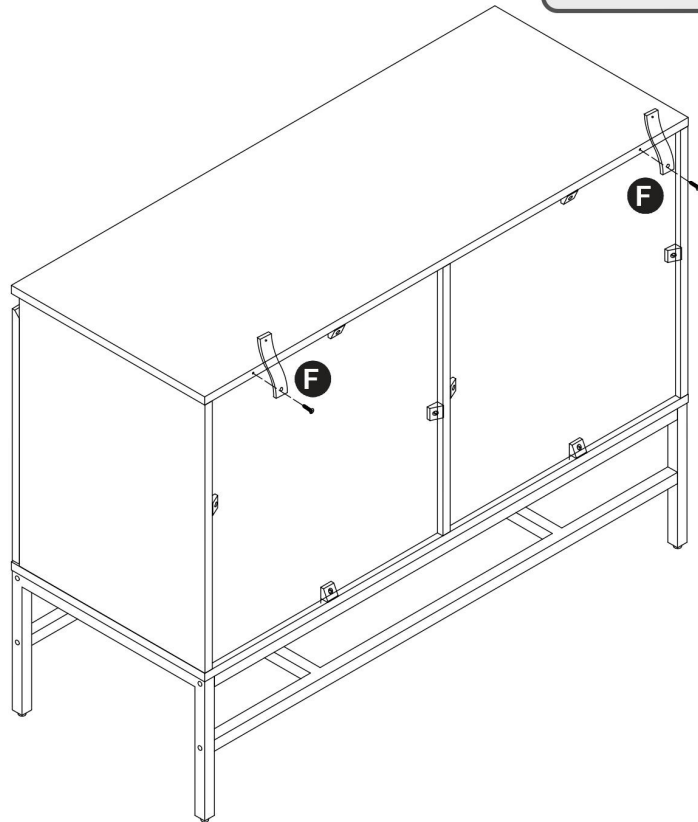
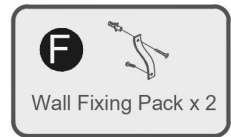
1. Move the unit into desired position.
2. Mark the wall with a suitable scribe the position of the fixing holes.



**Warning:**  
Before drilling, check wall for hidden pipes and cables.

3. Drill holes and insert 2 x wall plug
4. Attach 2 x Wall Straps to to the top of the unit using 2 x Washers and 2 x Screws
5. Secure the straps to the wall using 2 x Washers and 2 x Screws

**Note:** To hide the straps behind the unit, drill the holes lower than the top of the unit



Assembly is complete.