

# ASSEMBLY INSTRUCTION

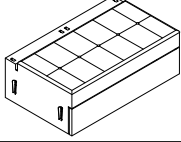
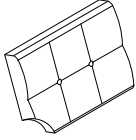
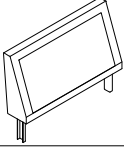
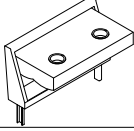
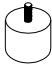
## Armless Reversible 2-seater with pull-out Bed and drop-down cup holders



Legs and hardware are stored in chaise storage, please take out for assembly.

Note: Do not use power tools for assembly. Power tools increase the risk of over tightening which lead to Splitting or cracking the wood.

### COMPONENT LIST

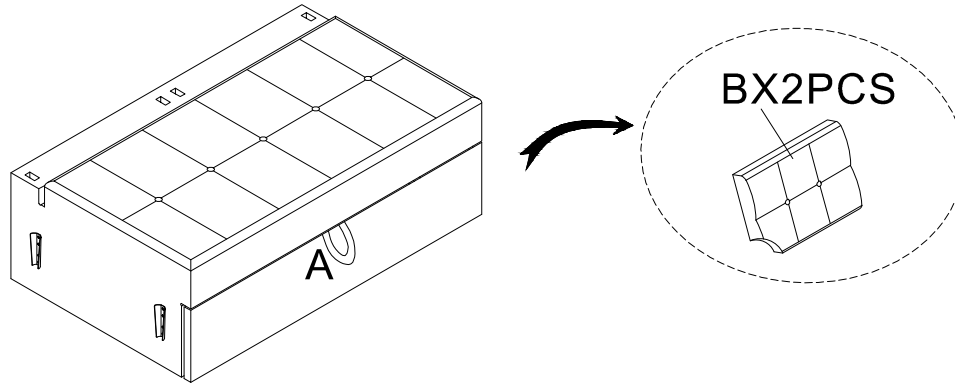
No	Drawing	Qty	Description
A		1	POP-UP SLEEPER SEAT
B		1	BACK CUSHION
C		1	BACK REST (PACKED IN ARMLESS CHAISE)
D		1	CONSOLE BACKREST (PACKED IN ARMLESS CHAISE)
I		4	PLASTIC LEGS Ø2"x2" (PACKED IN ARMLESS CHAISE)

### HARDWARE LIST (PACKED IN ARMLESS CHAISE)

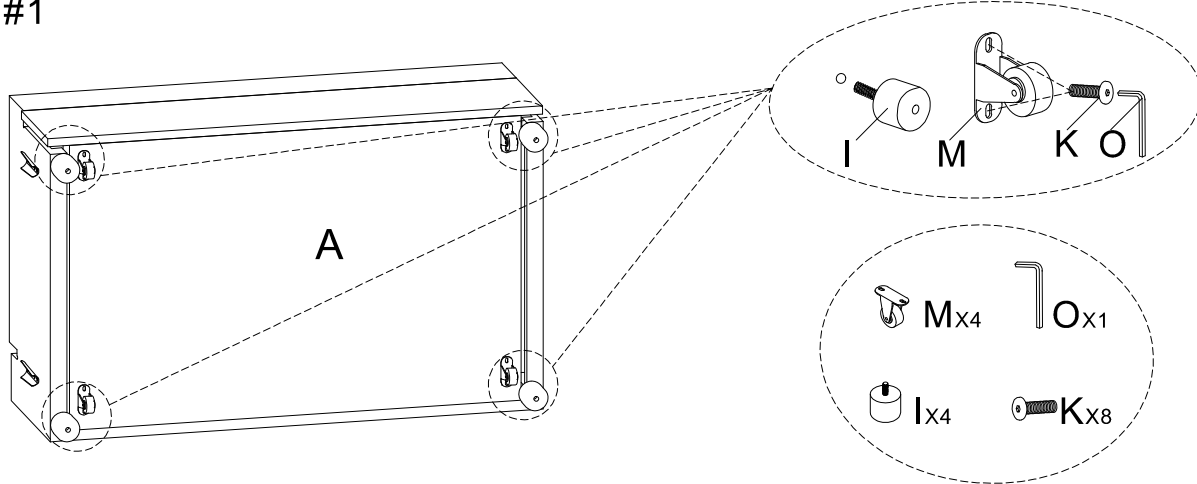
No	Drawing	Qty	Description
K		8	BOLT 1/4"*1"
M		4	WHEEL
O		1	ALLEN KEY

# ASSEMBLY INSTRUCTION

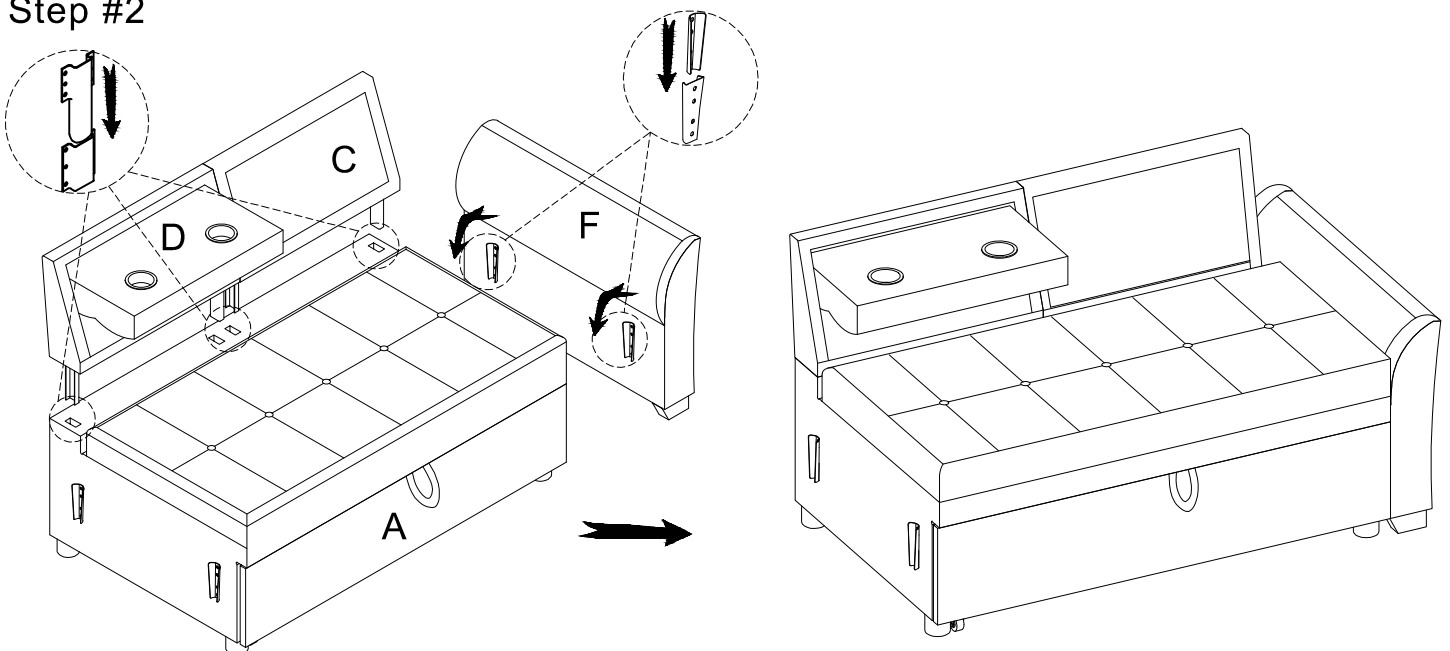
## Armless Reversible 2-seater with pull-out Bed and drop-down cup holders



### Step #1



### Step #2



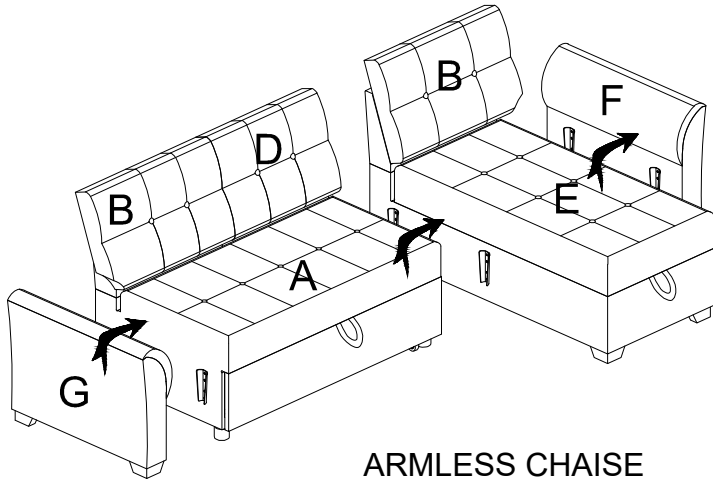
# ASSEMBLY INSTRUCTION

## Armless Reversible 2-seater with pull-out Bed and drop-down cup holders

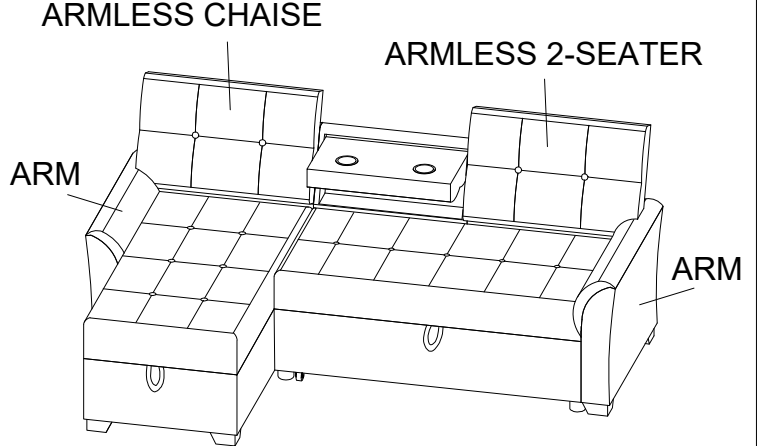
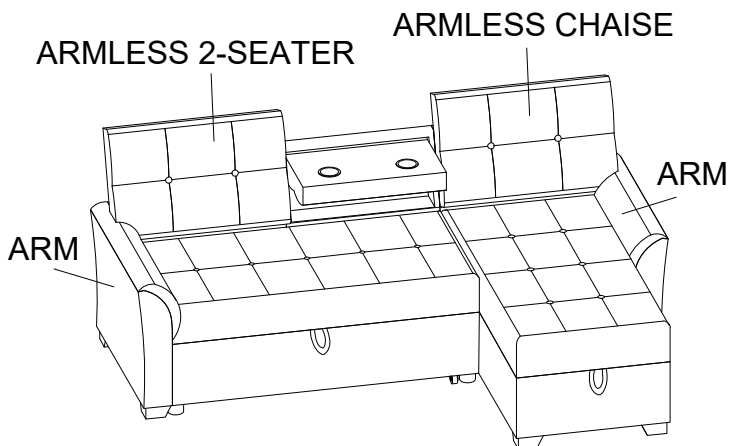
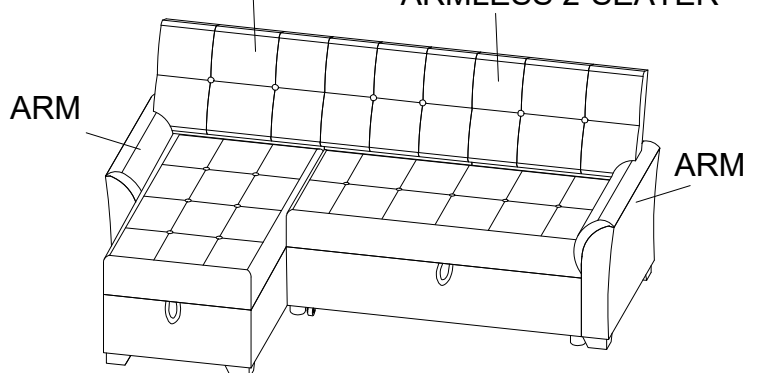
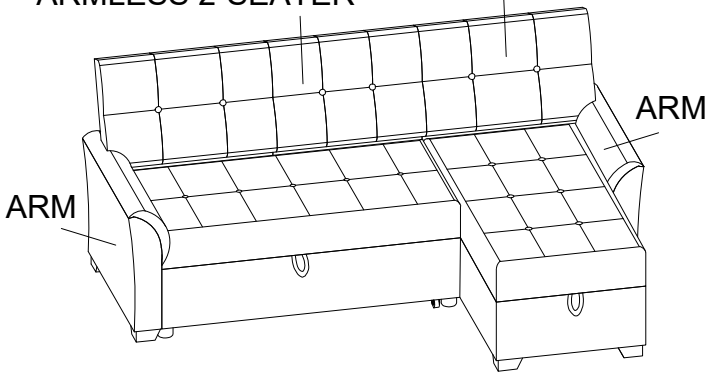
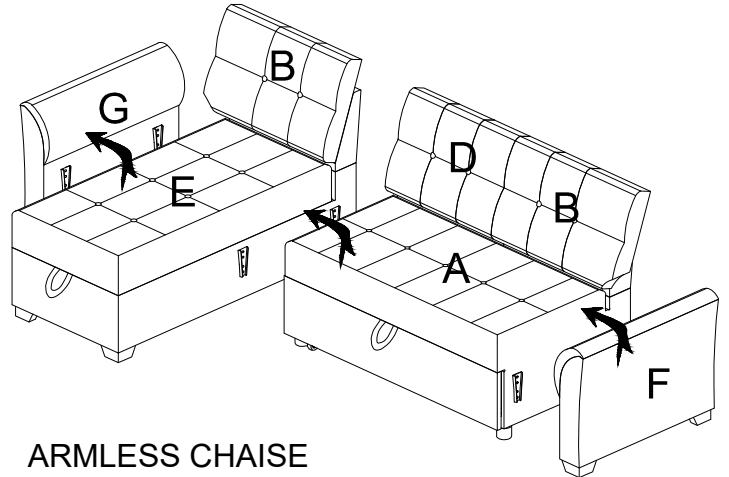
### ARMLESS 2-SEATER + ARMLESS CHAISE + TWO ARMS SECTIONAL SET UP

From this step, it is divided into two columns. The left and right columns correspond to Option A and Option B respectively. You can choose according to your needs.

Option A



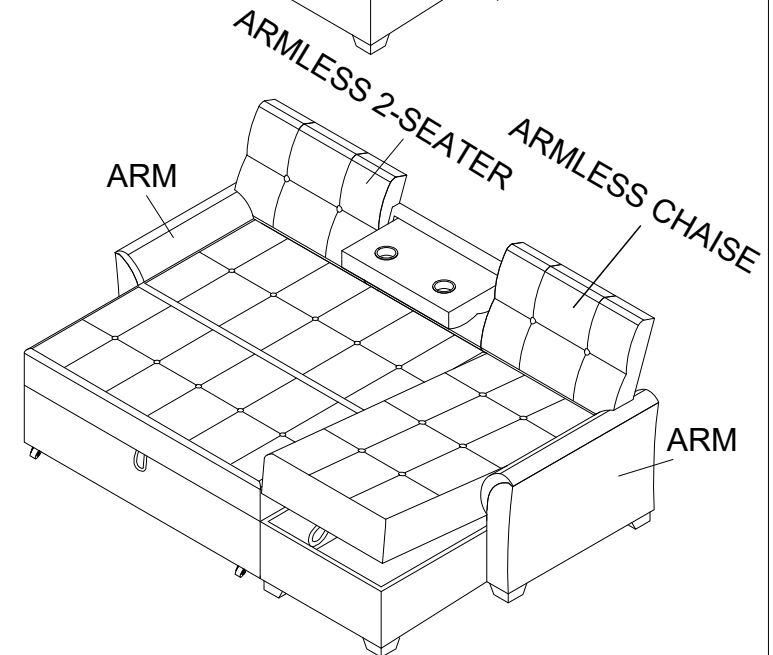
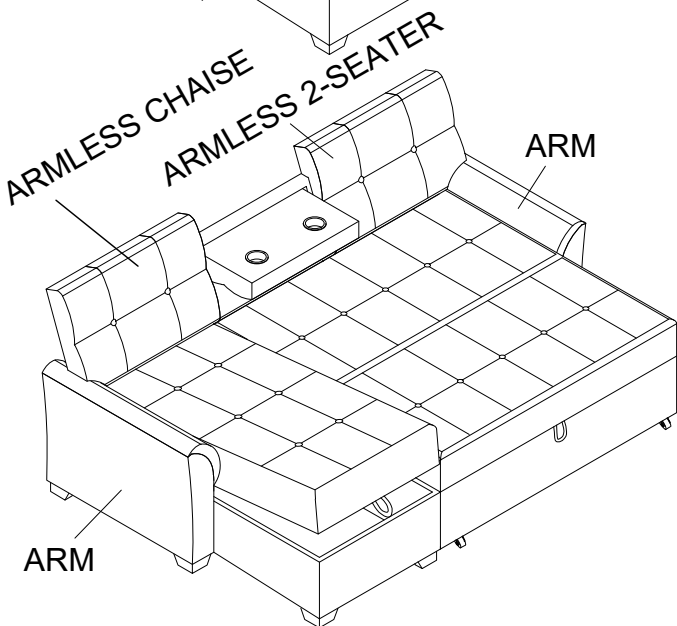
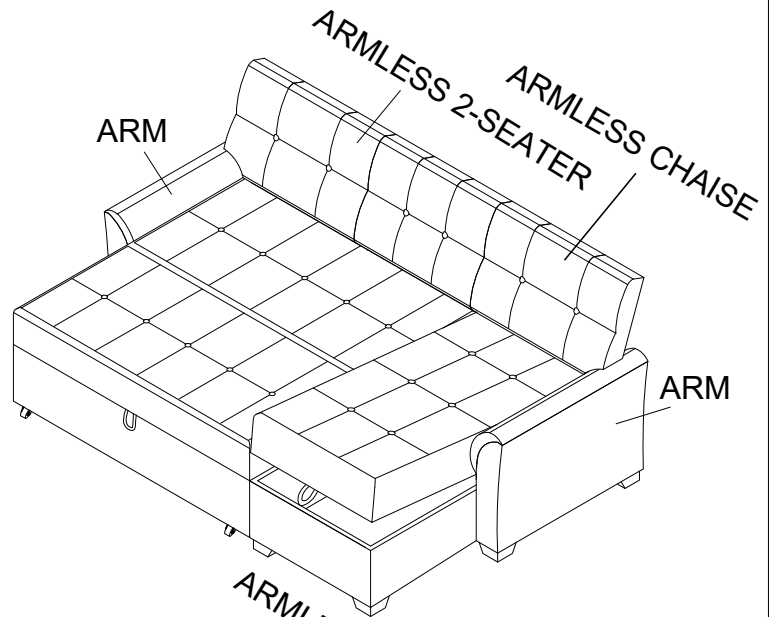
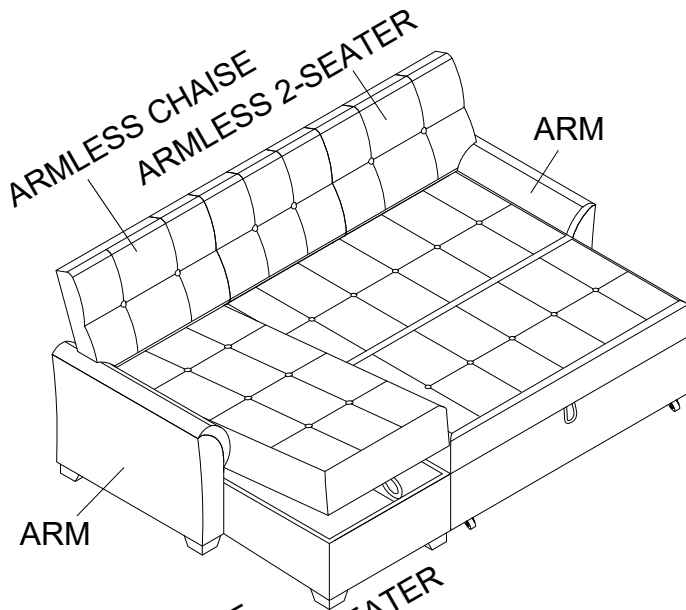
Option B



# ASSEMBLY INSTRUCTION

## Armless Reversible 2-seater with pull-out Bed and drop-down cup holders

ARMLESS 2-SEATER + ARMLESS CHAISE + TWO ARMS SECTIONAL SET UP



### Care Instruction for Fabric Furniture:

In order to maintain the original appearance of your fabric Furniture, please follow below simple care procedures:

- Avoid exposing furniture directly to sunlight or heating and air conditioning outlets. Sunlight and or exposure to heating and air conditioning outlets will fade/damage Fabric.
- Vacuum or wipe with a soft cloth to remove dust.



For items use on wooden floor, hard surfaces or carpets, it is recommended to install protective pads under all legs and supports to avoid/prevent from damages/scratches and discoloration.

# ASSEMBLY INSTRUCTION

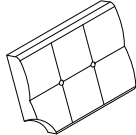
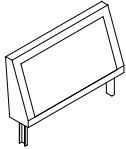
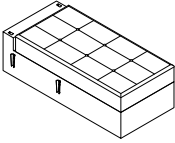
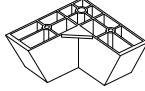
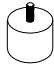
## Armless Reversible Chaise with Hidden Storage






Legs and hardware are stored in chaise storage, please take out for assembly.

Note: Do not use power tools for assembly. Power tools increase the risk of over tightening which lead to Splitting or cracking the wood.

### COMPONENT LIST

No	Drawing	Qty	Description
B		1	BACK CUSHION (PACKED IN ARMLESS 2-SEATER)
C		1	BACK REST
E		1	CHAISE SEAT
H		2	PLASTIC LEGS 4"x4"x2"
I		2	PLASTIC LEGS Ø2"x2"

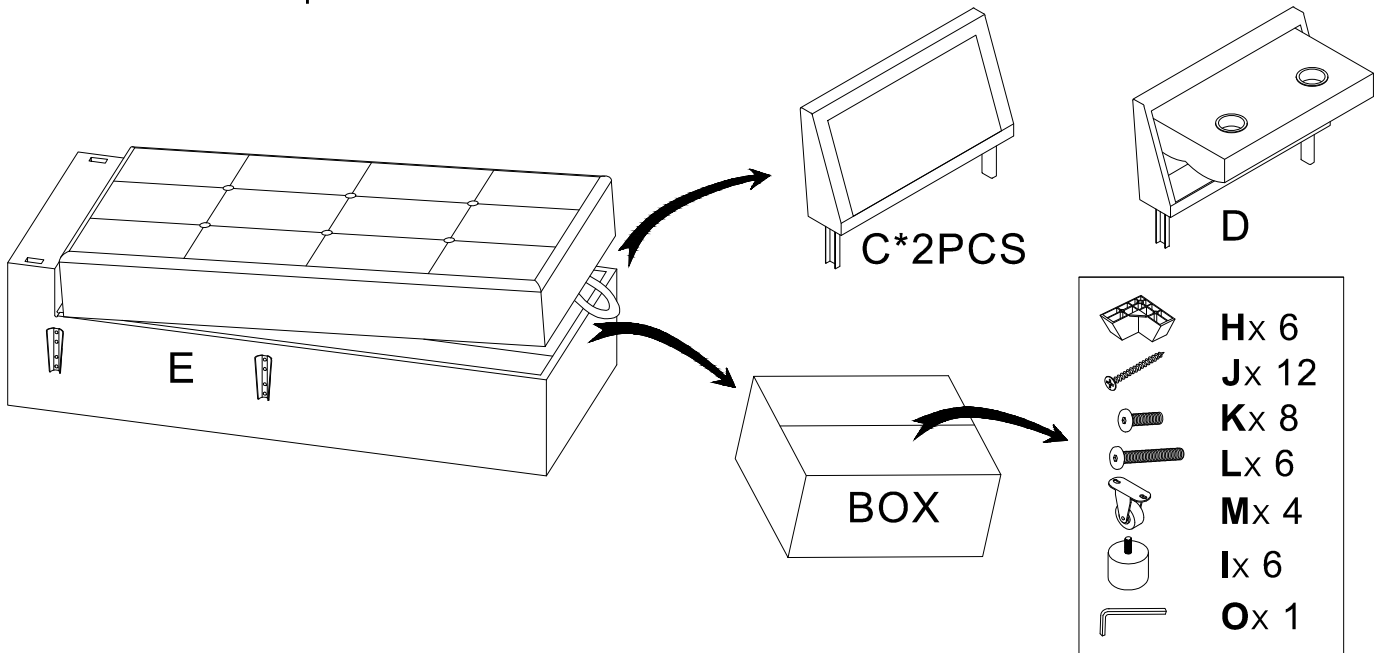
### HARDWARE LIST (PACKED IN ARMLESS CHAISE)

No	Drawing	Qty	Description
J		4	SCREW Ø1/5*2"
L		2	BOLT 5/16"*2 3/8"
O		1	ALLEN KEY

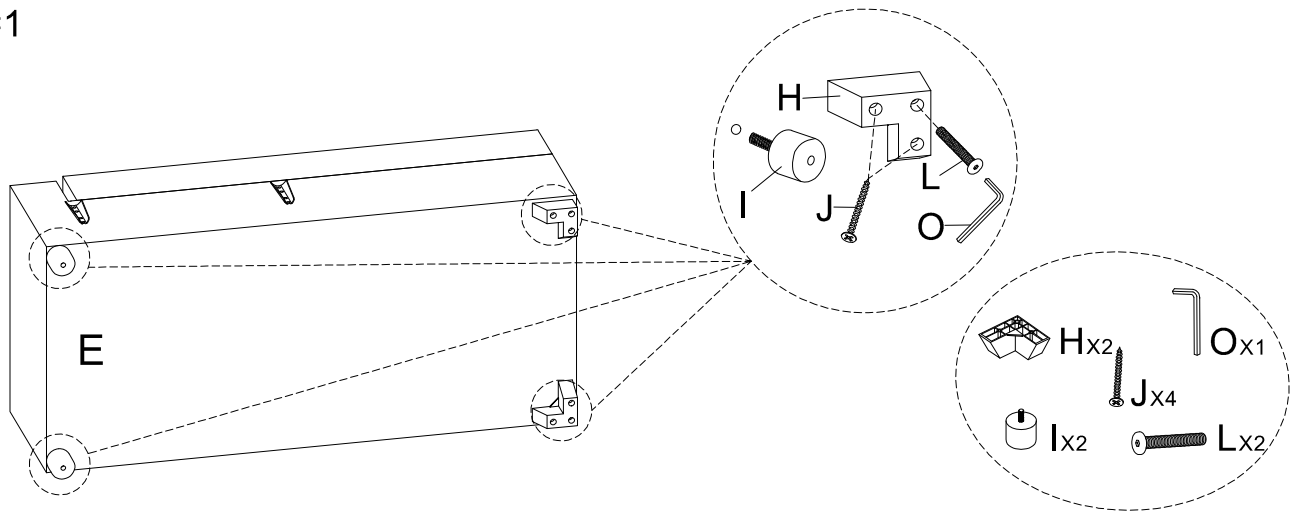
# ASSEMBLY INSTRUCTION

## Armless Reversible Chaise with Hidden Storage

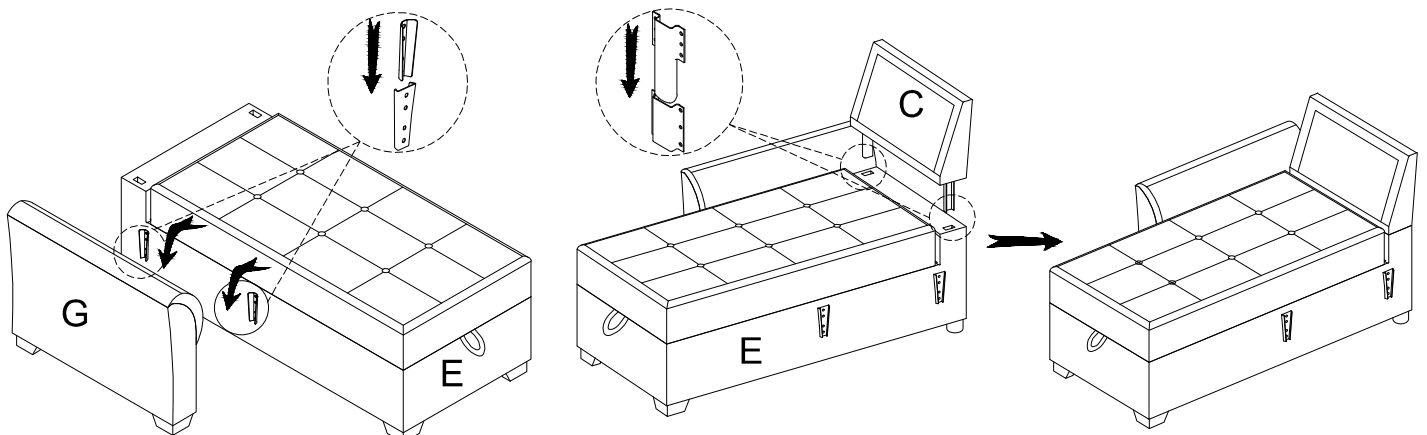
Please take the parts and hardware in the box.



### Step #1



### Step #2



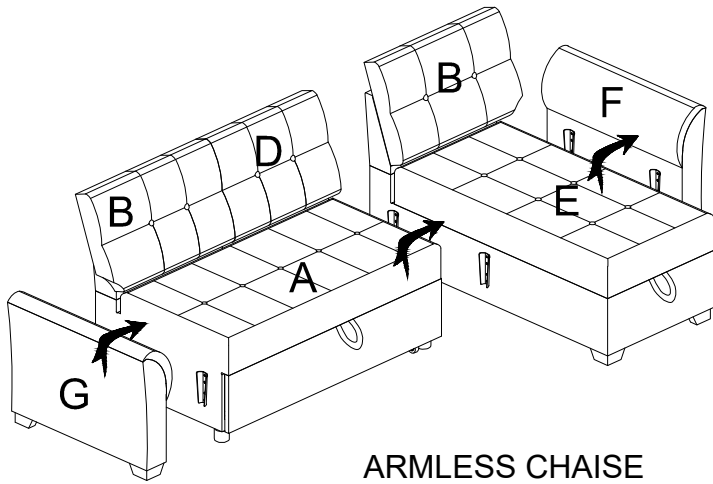
# ASSEMBLY INSTRUCTION

## Armless Reversible Chaise with Hidden Storage

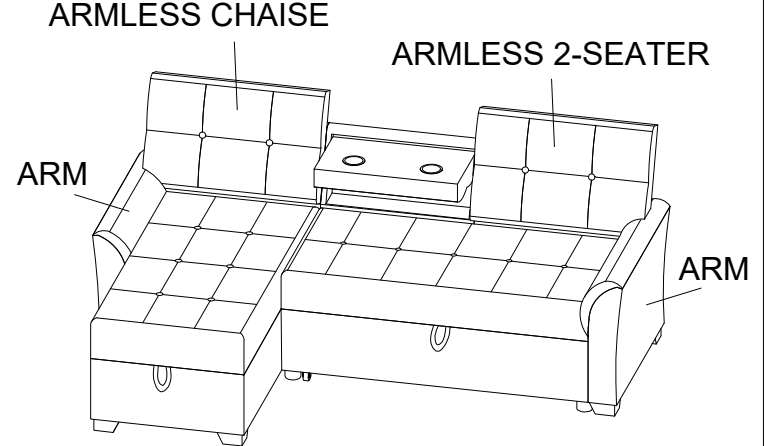
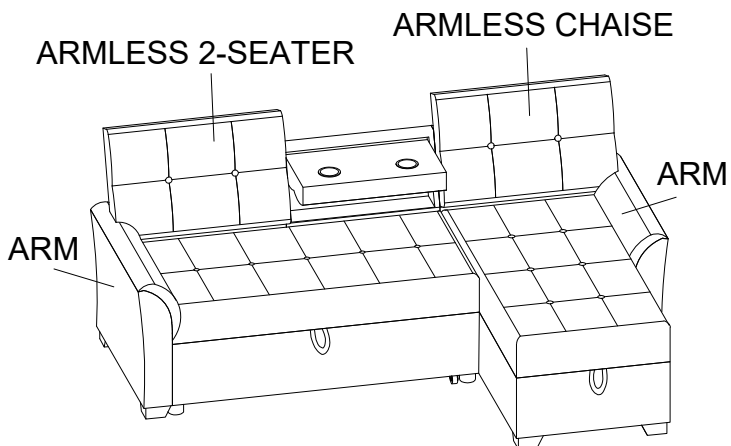
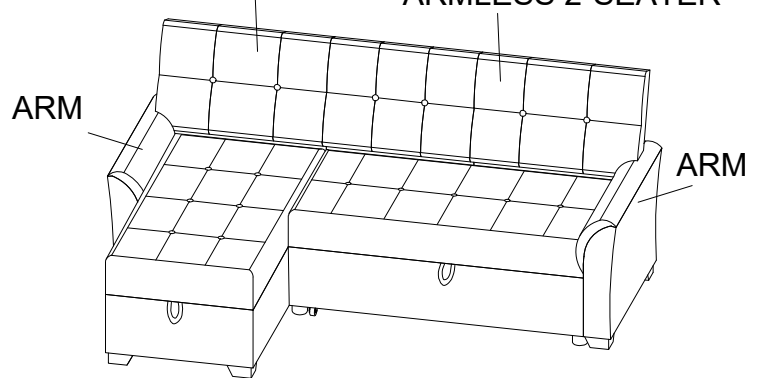
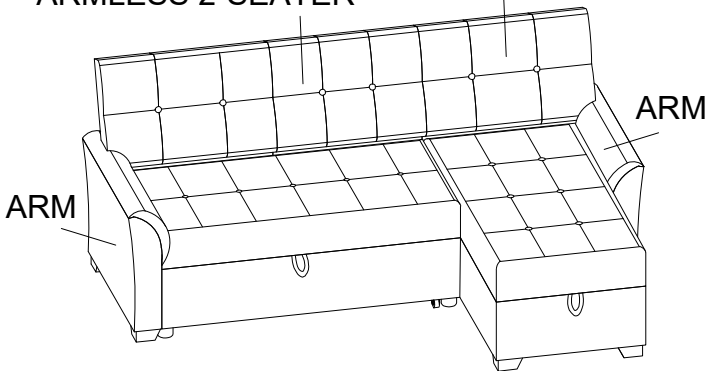
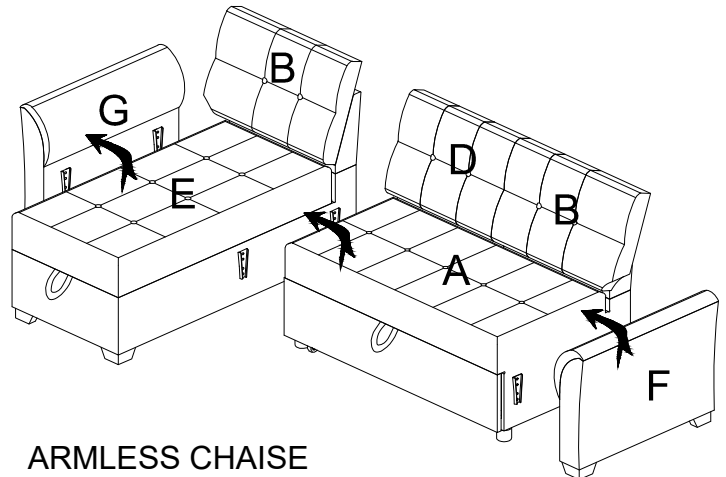
### ARMLESS 2-SEATER + ARMLESS CHAISE + TWO ARMS SECTIONAL SET UP

From this step, it is divided into two columns. The left and right columns correspond to Option A and Option B respectively. You can choose according to your needs.

Option A



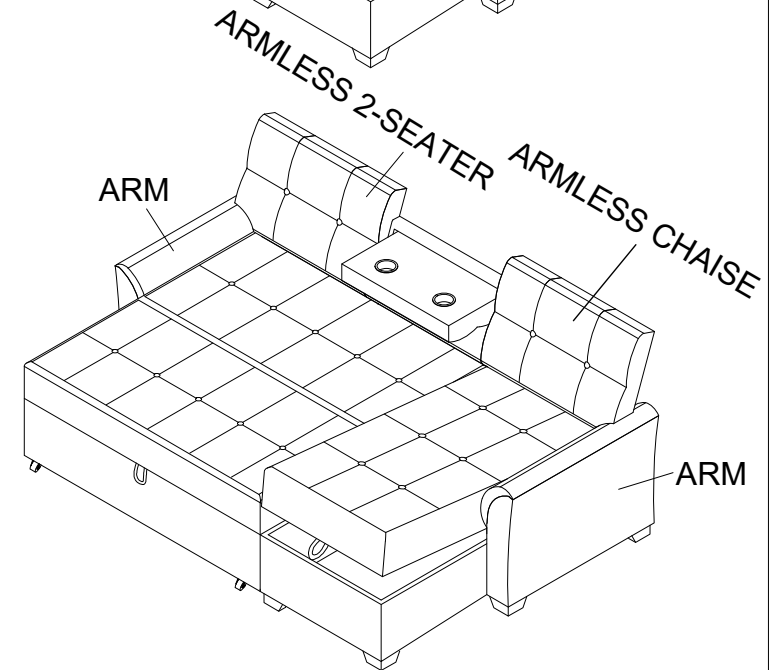
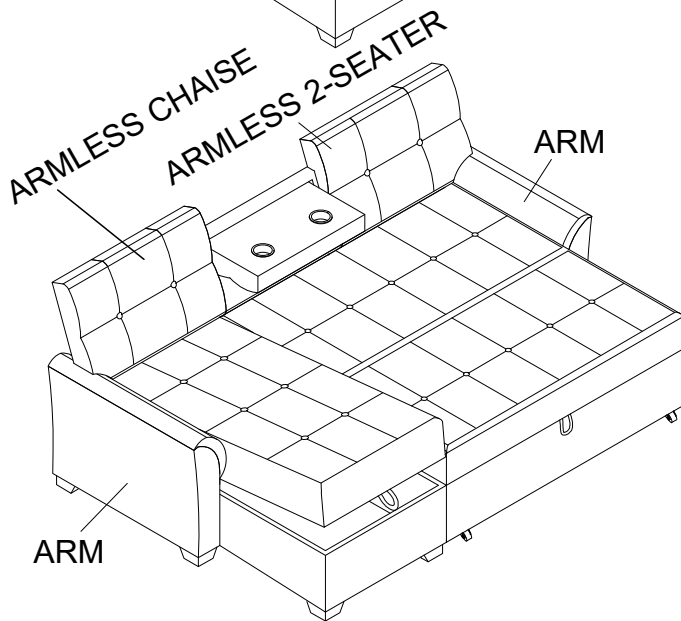
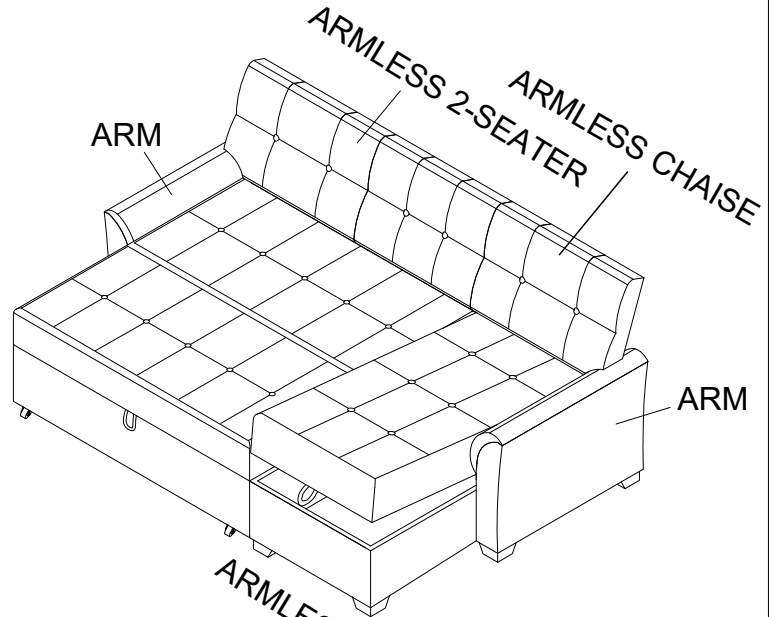
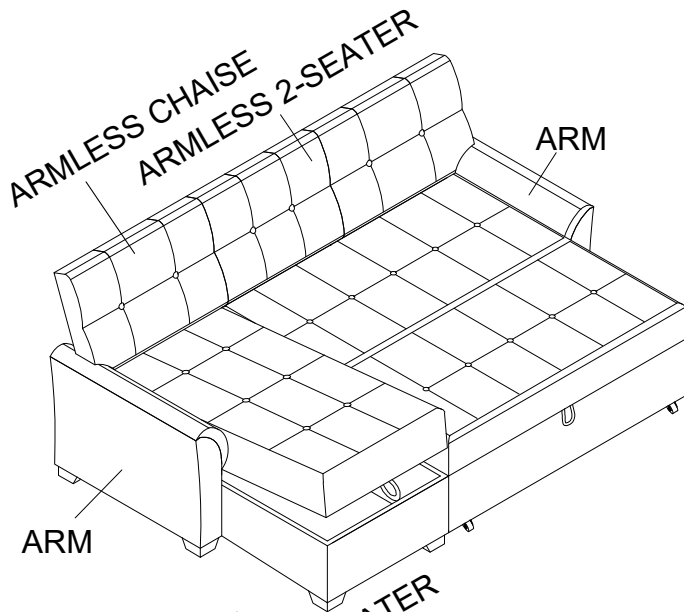
Option B



# ASSEMBLY INSTRUCTION

## Armless Reversible Chaise with Hidden Storage

ARMLESS 2-SEATER + ARMLESS CHAISE + TWO ARMS SECTIONAL SET UP



### Care Instruction for Fabric Furniture:

In order to maintain the original appearance of your fabric Furniture, please follow below simple care procedures:

- Avoid exposing furniture directly to sunlight or heating and air conditioning outlets. Sunlight and or exposure to heating and air conditioning outlets will fade/damage Fabric.
- Vacuum or wipe with a soft cloth to remove dust.



For items use on wooden floor, hard surfaces or carpets, it is recommended to install protective pads under all legs and supports to avoid/prevent from damages/scratches and discoloration.

# ASSEMBLY INSTRUCTION

## Two Arms






Legs and hardware are stored in chaise storage, please take out for assembly.

Note: Do not use power tools for assembly. Power tools increase the risk of over tightening which lead to Splitting or cracking the wood.

### COMPONENT LIST

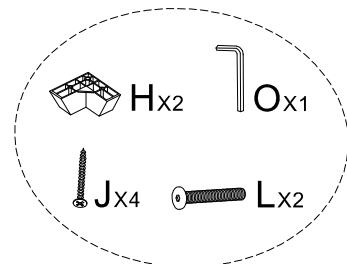
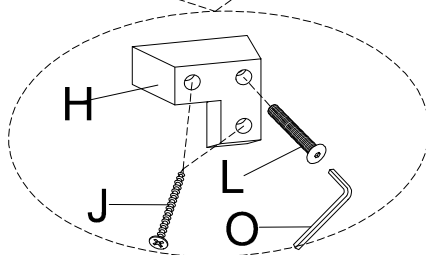
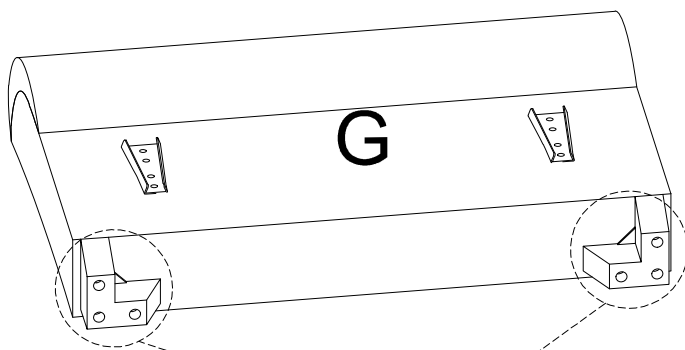
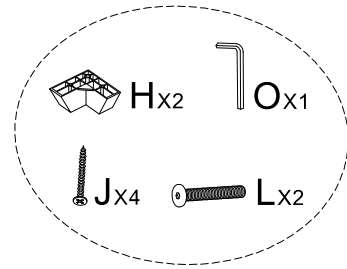
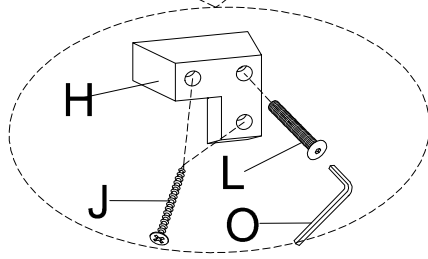
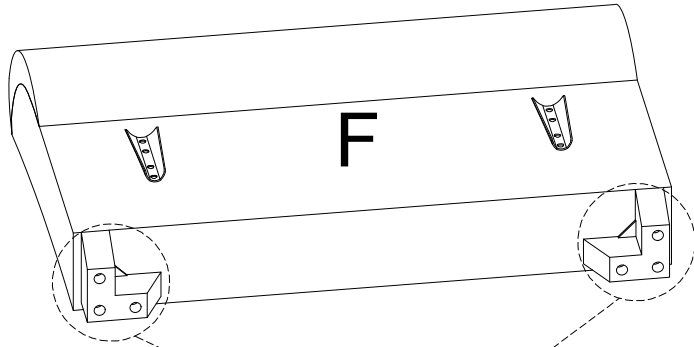
No	Drawing	Qty	Description
F		1	R RSF ARM
G		1	L LSF ARM
H		4	PLASTIC LEGS 4"x4"x2" (PACKED IN ARMLESS CHAISE)

### HARDWARE LIST (PACKED IN ARMLESS CHAISE)

No	Drawing	Qty	Description
J		8	SCREW Ø1/5*2"
L		4	BOLT 5/16**2 3/8"
O		1	ALLEN KEY

# ASSEMBLY INSTRUCTION

## Two Arms



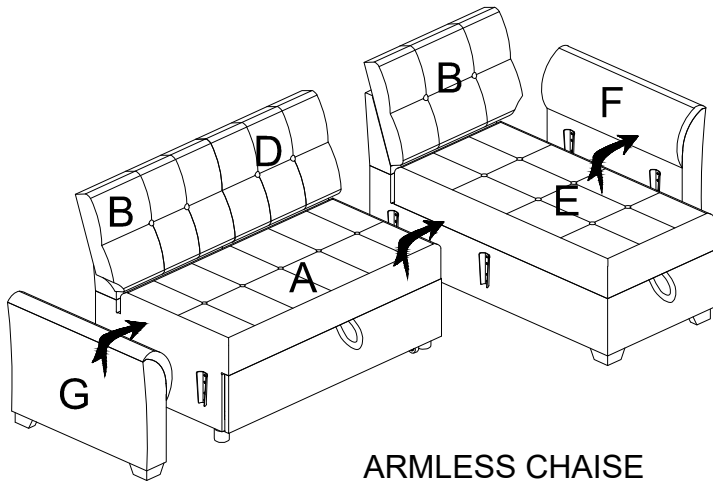
# ASSEMBLY INSTRUCTION

## Two Arms

### ARMLESS 2-SEATER + ARMLESS CHAISE + TWO ARMS SECTIONAL SET UP

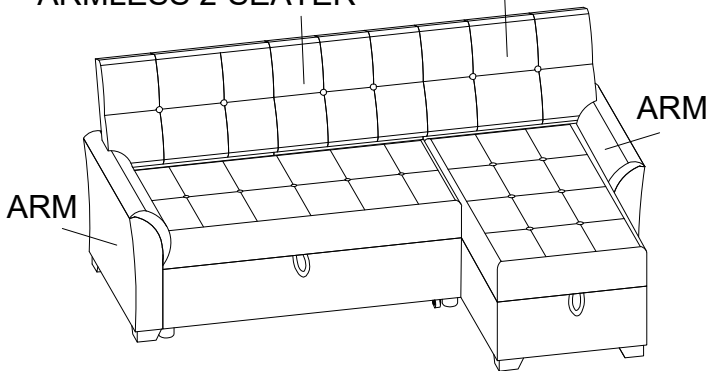
From this step, it is divided into two columns. The left and right columns correspond to Option A and Option B respectively. You can choose according to your needs.

Option A

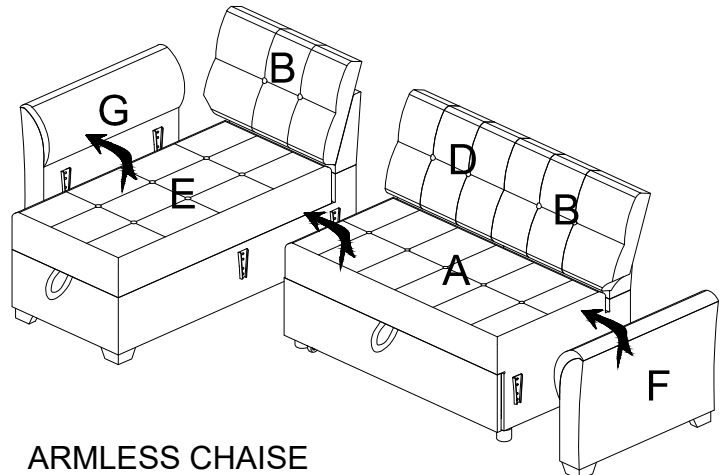


ARMLESS 2-SEATER

ARMLESS CHAISE

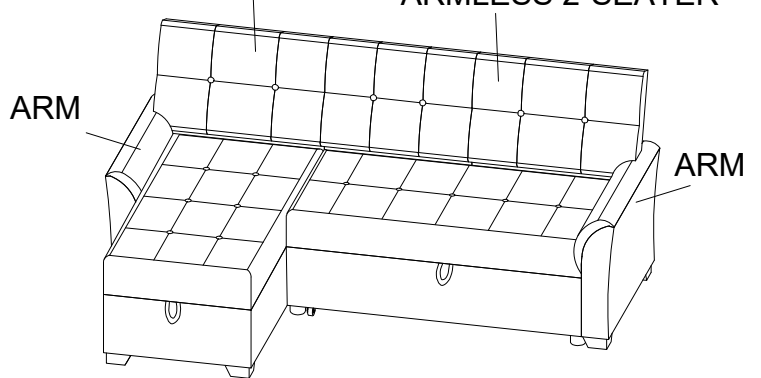


Option B



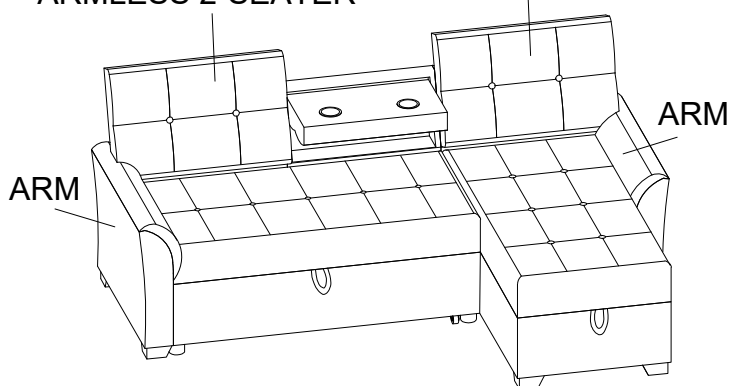
ARMLESS CHAISE

ARMLESS 2-SEATER



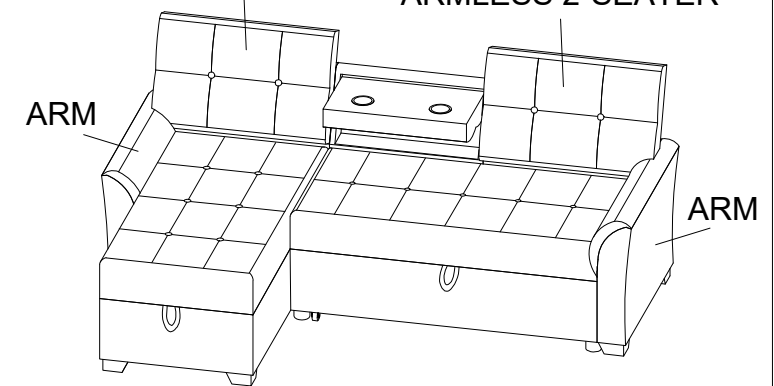
ARMLESS 2-SEATER

ARMLESS CHAISE



ARMLESS CHAISE

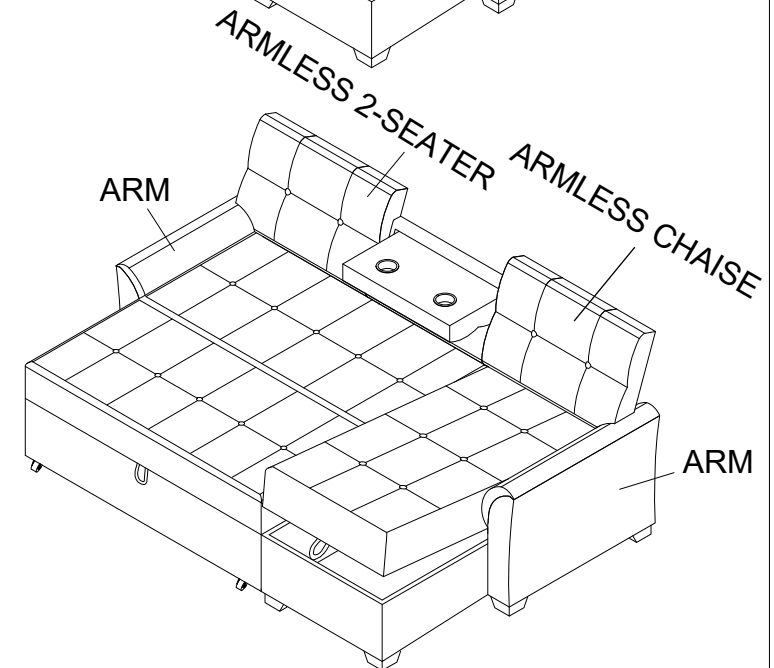
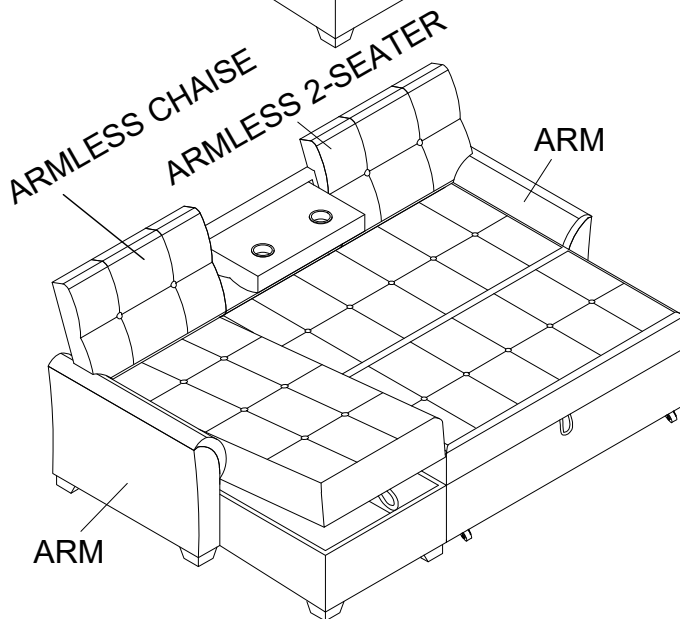
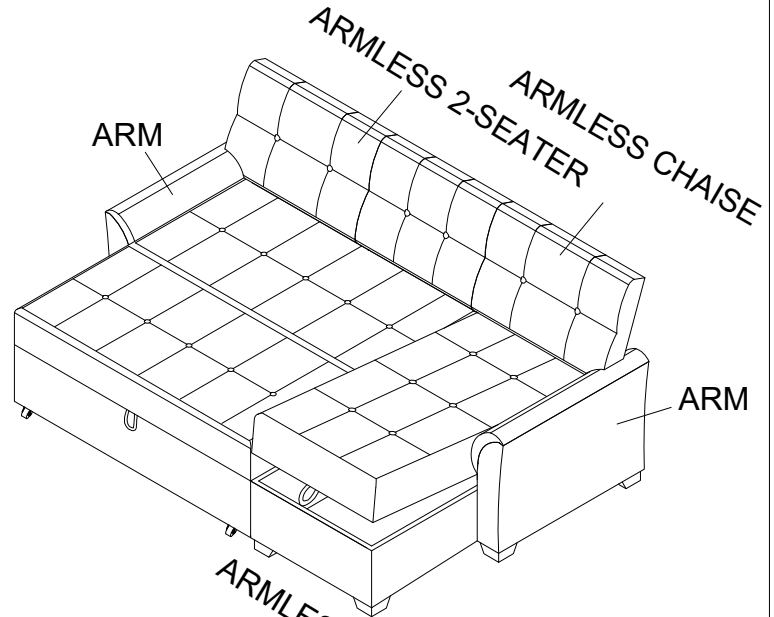
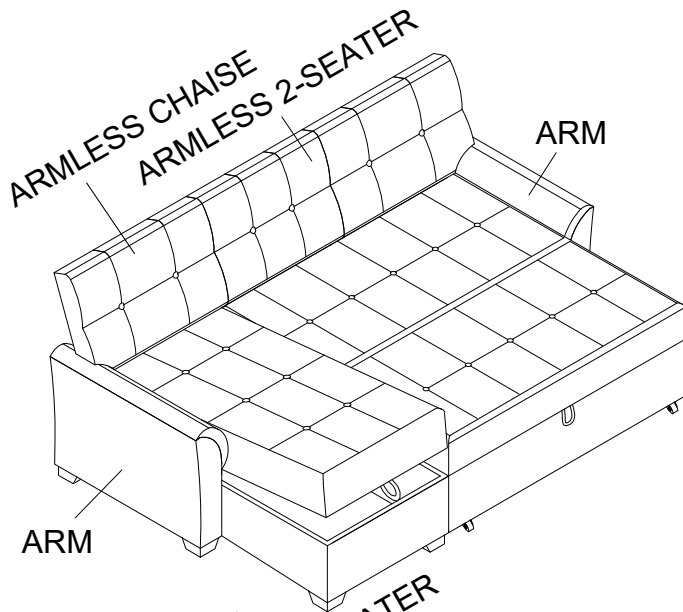
ARMLESS 2-SEATER



# ASSEMBLY INSTRUCTION

## Two Arms

ARMLESS 2-SEATER + ARMLESS CHAISE + TWO ARMS SECTIONAL SET UP



### Care Instruction for Fabric Furniture:

In order to maintain the original appearance of your fabric Furniture, please follow below simple care procedures:

- Avoid exposing furniture directly to sunlight or heating and air conditioning outlets. Sunlight and or exposure to heating and air conditioning outlets will fade/damage Fabric.
- Vacuum or wipe with a soft cloth to remove dust.



For items use on wooden floor, hard surfaces or carpets, it is recommended to install protective pads under all legs and supports to avoid/prevent from damages/scratches and discoloration.