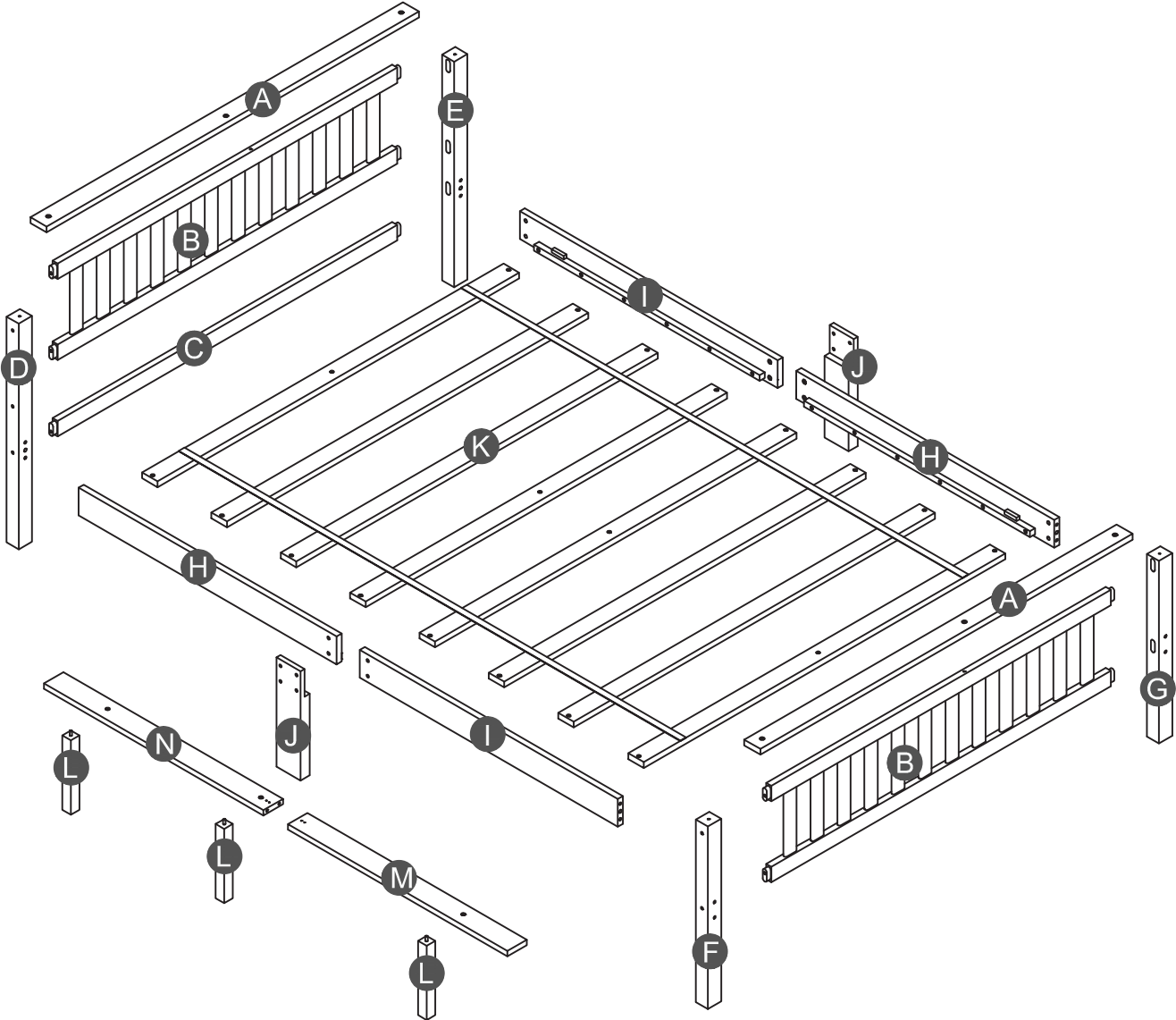


USER'S MANUAL

Full Bed




HW61696

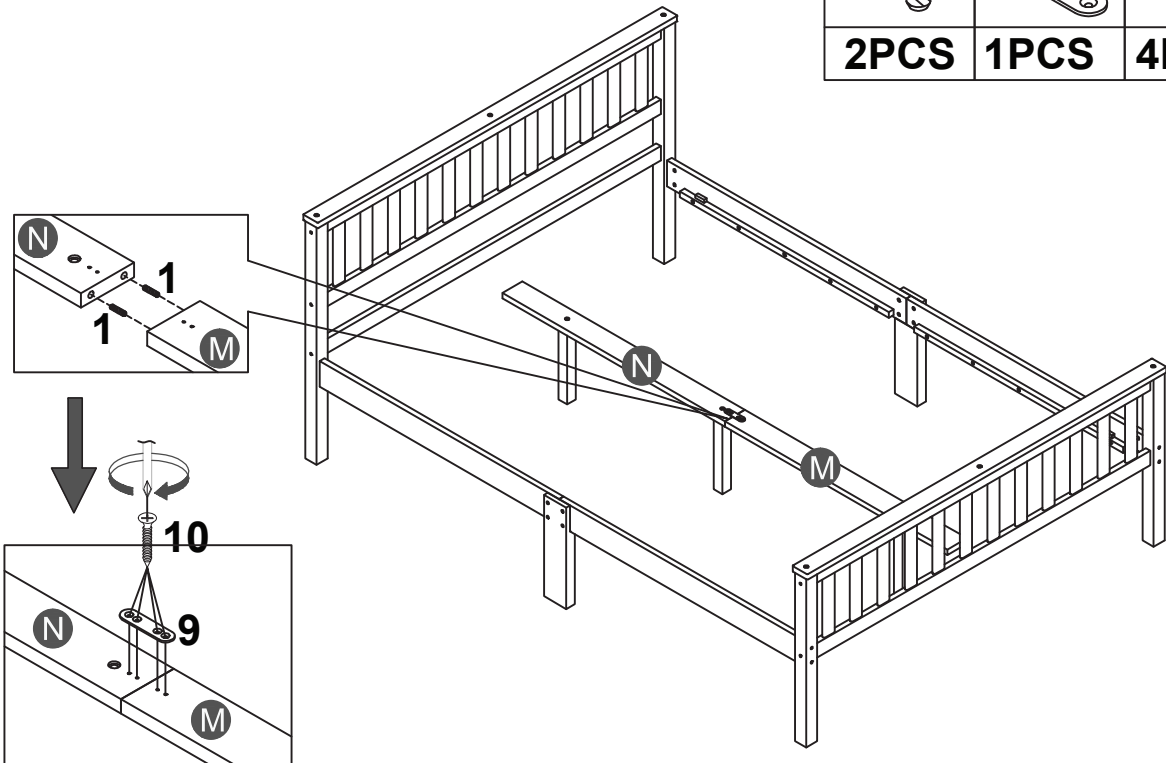
Detail View




PRODUCT ASSEMBLY

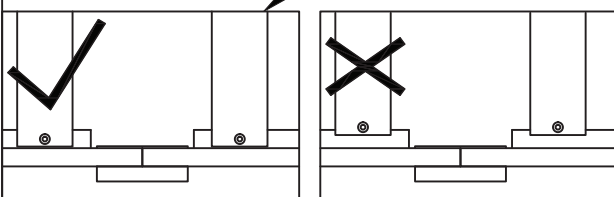
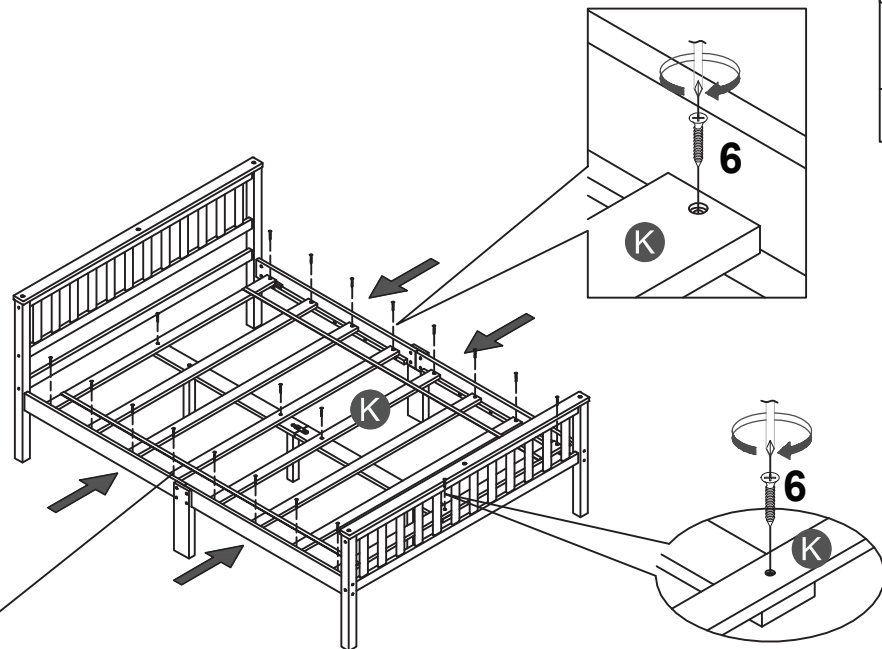
STEP 7:

1		9		10	
2PCS		1PCS		4PCS	



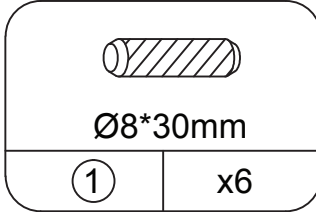
STEP 8:

6	
20PCS	

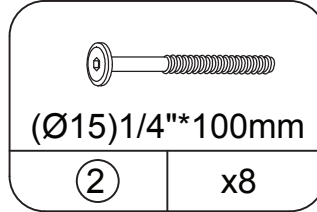


Note: Do not lock the screws of the bed slats to the outermost edge of the bed slats, you need to leave a certain space at the edges, otherwise it will cause the board to break

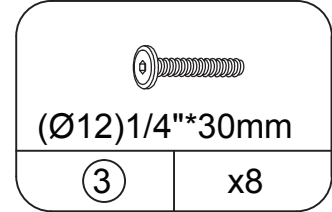
Hardware List



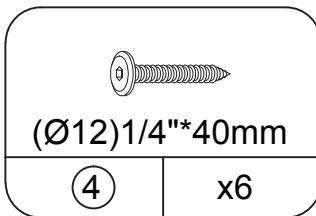
Wood dowel



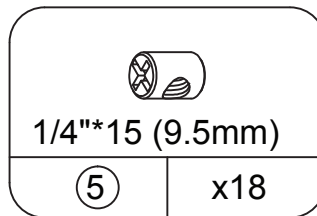
Hex-Head bolts



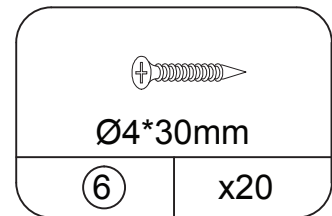
Hex-Head bolts



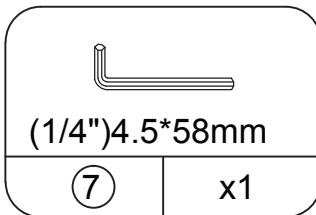
Screws



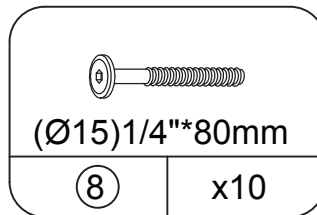
Horizontal-Hole bolts



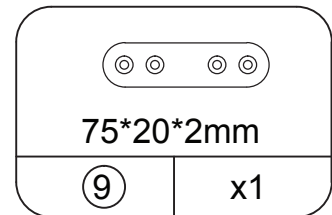
Screws



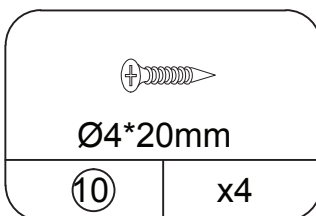
Allen key



Hex-Head bolts

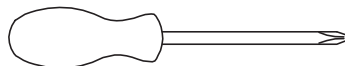


Metal plate



Screws

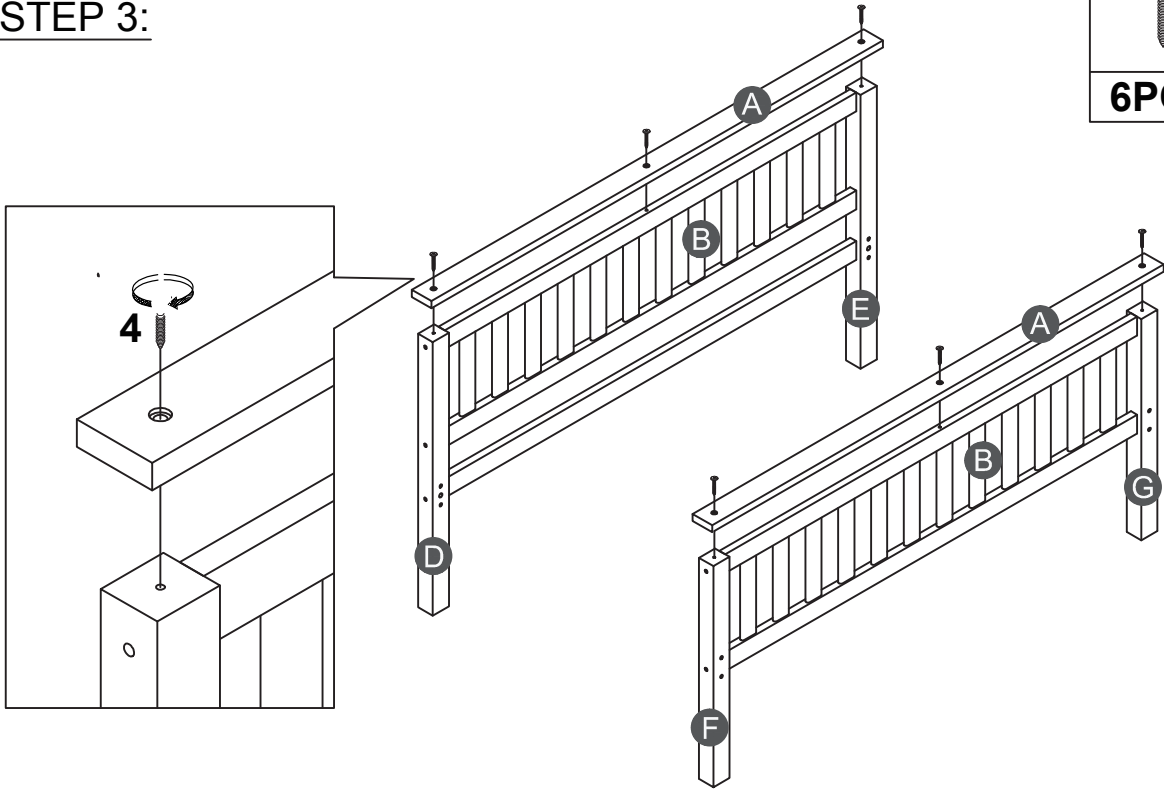
ASSEMBLY TOOLS REQUIRED (NOT INCLUDED)



PLEASE BE CAREFUL DO NOT DAMAGE THE HOLE POSITION WHEN YOU USE POWER TOOLS !

PRODUCT ASSEMBLY

STEP 3:



STEP 4:

