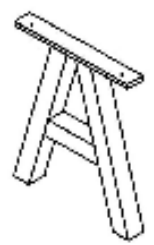




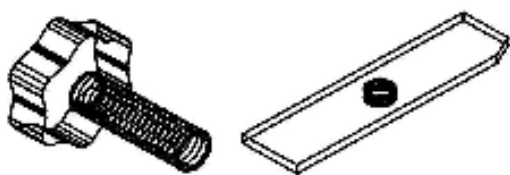


A-Frame Assembly Instructions

<p>A</p>  <p>A Leg: 2PCS</p>	<p>B</p>  <p>Cross Beam: 1PC</p>	<p>C</p>  <p>M6*16: 16PCS</p>	<p>D1</p>  <p>LONG SCREW + WASHER: 5PCS EA</p> <p>D2</p>  <p>SHORT SCREW: 5PCS</p>	<p>E</p>  <p>Knob & Spacer: 2Sets</p>
