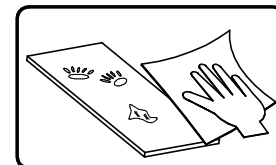
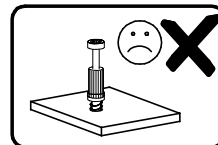
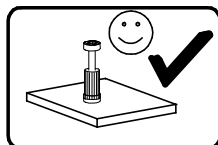
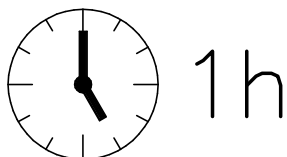
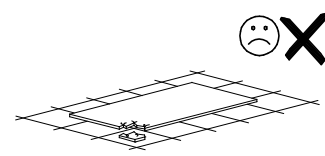
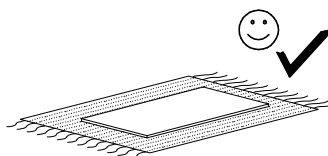
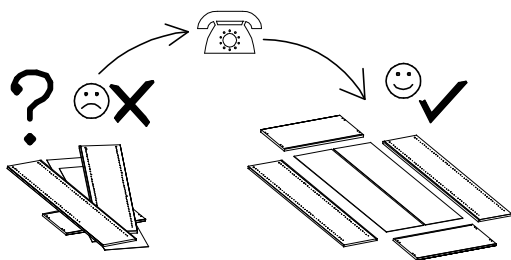
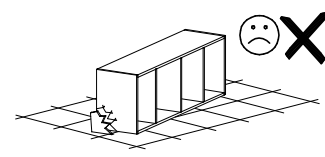
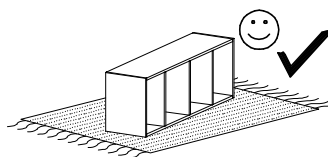
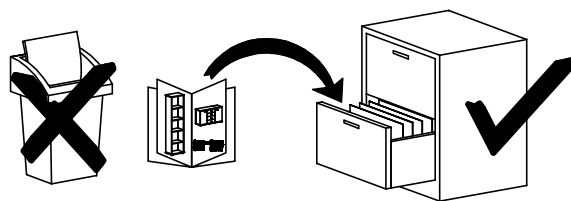
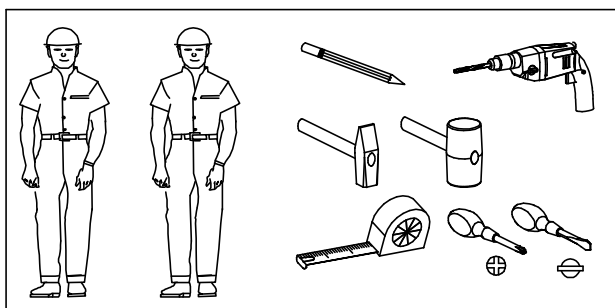
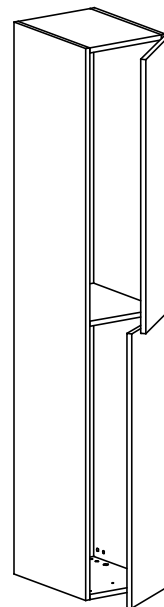
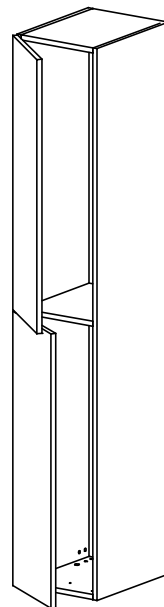
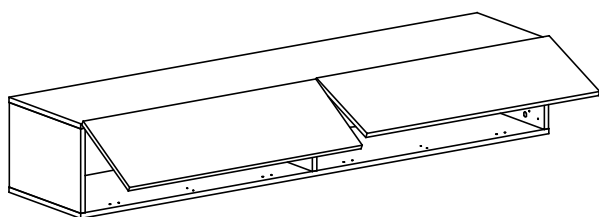
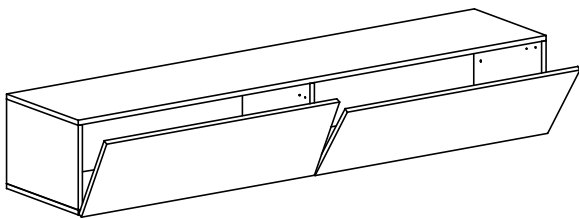
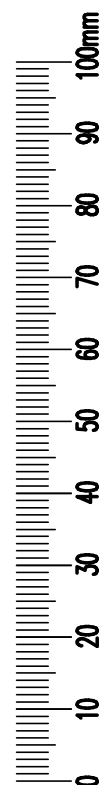
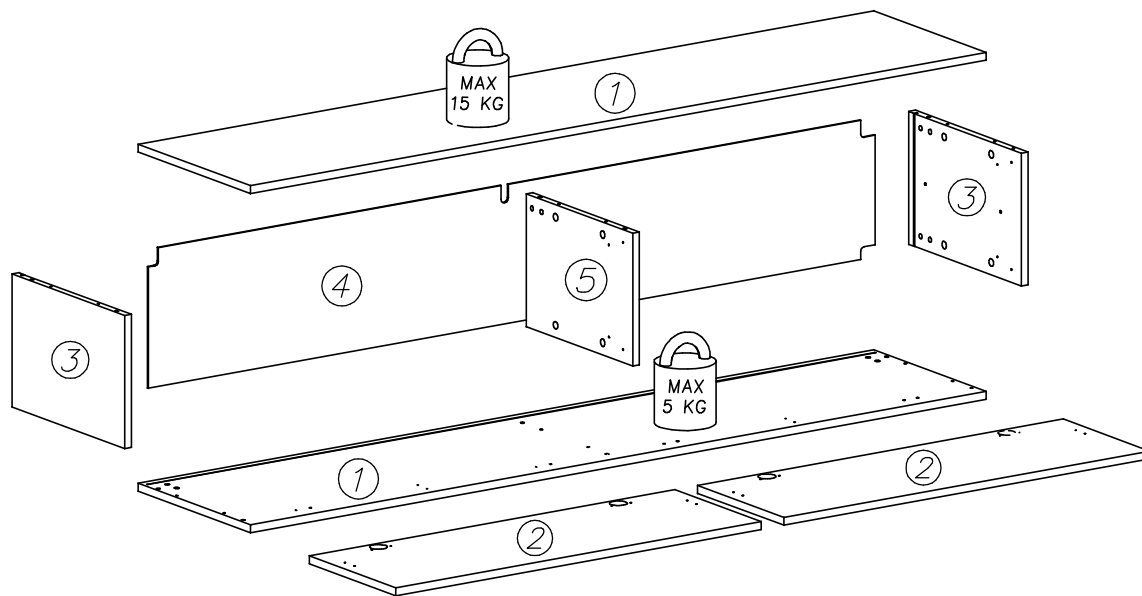
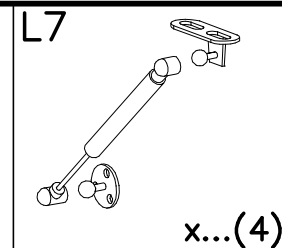
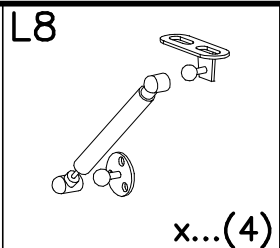
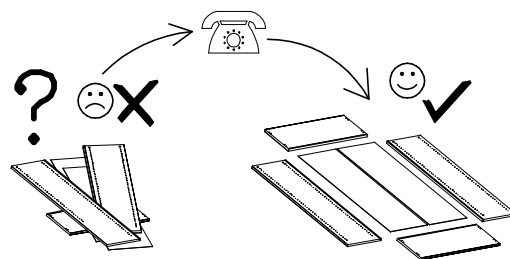
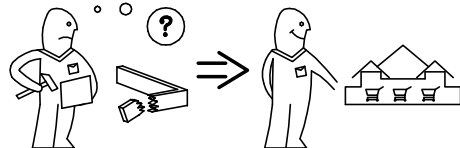
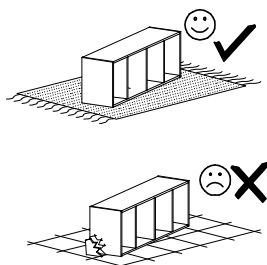
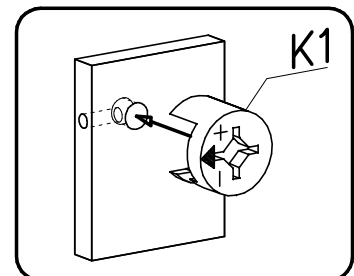
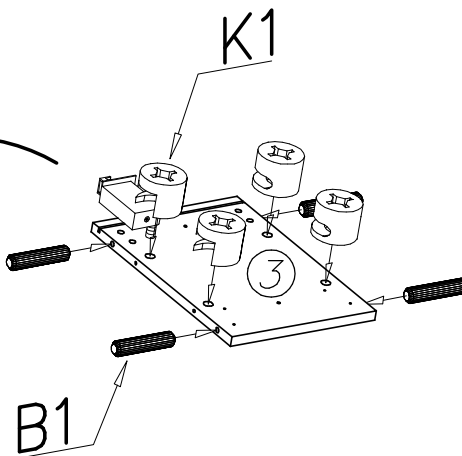
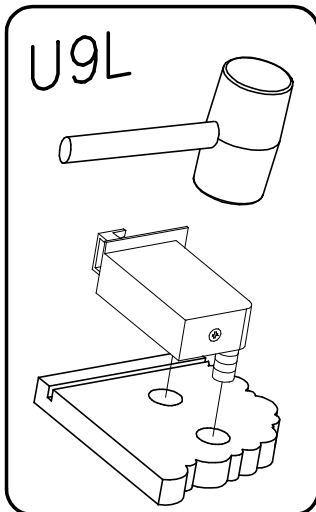
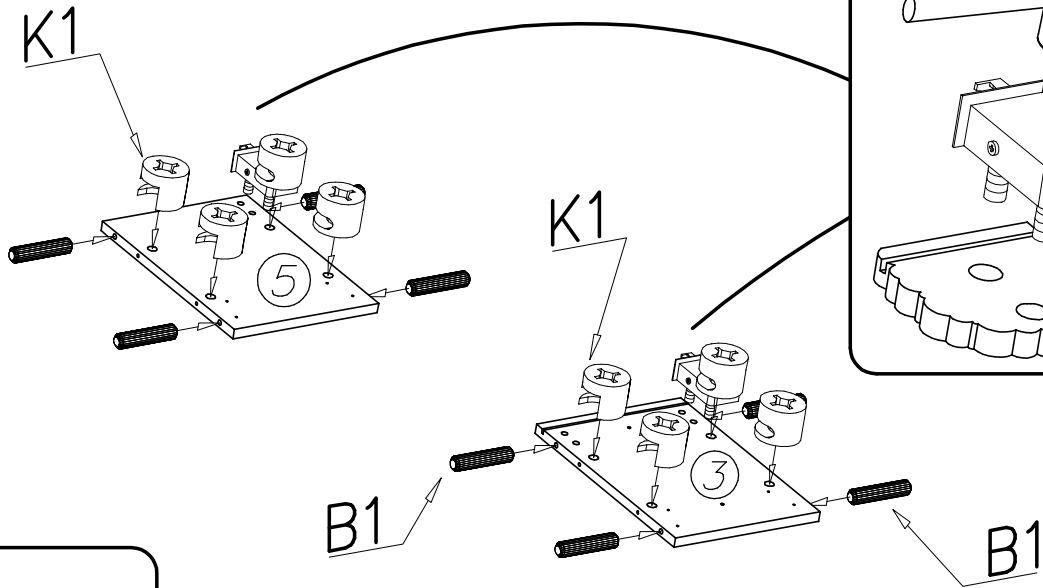
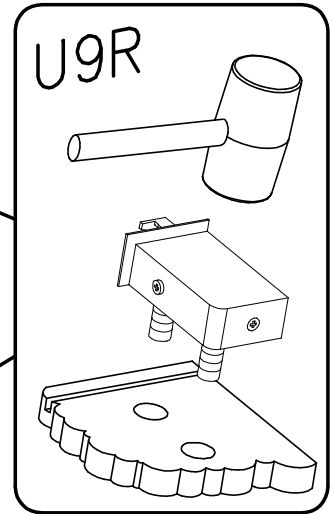
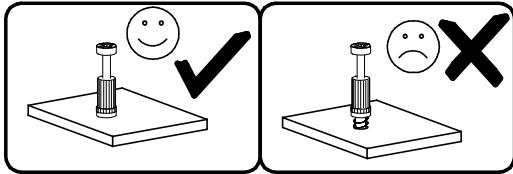
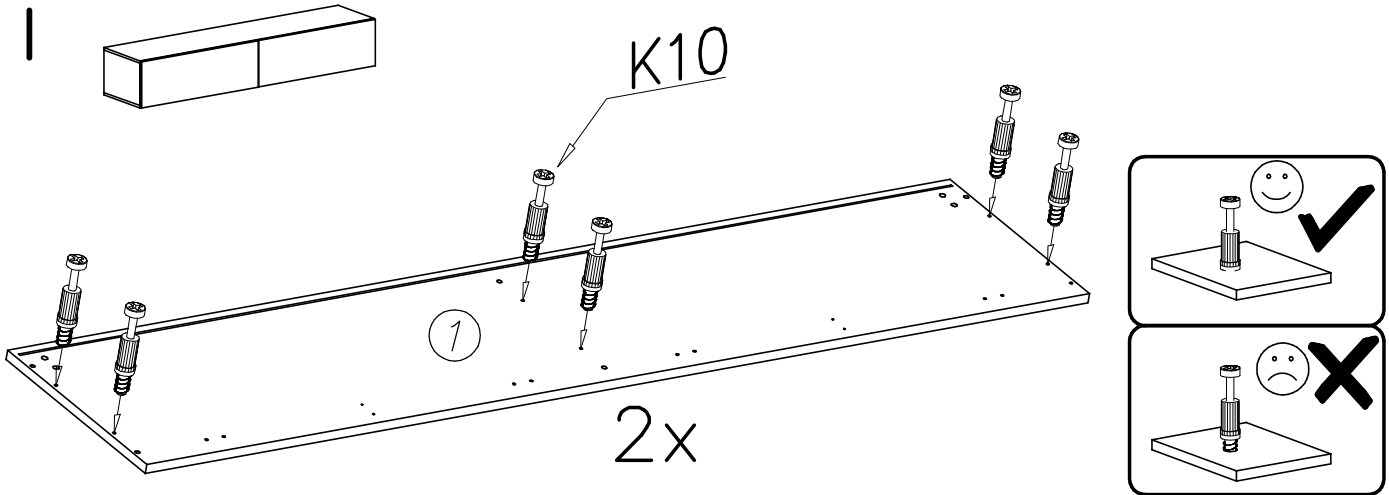


Installation & Assembly

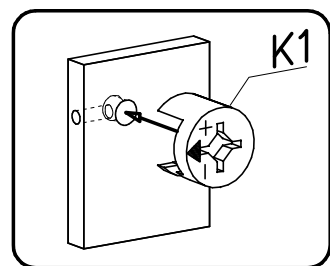
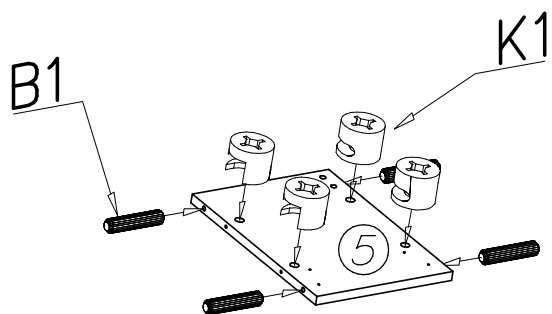
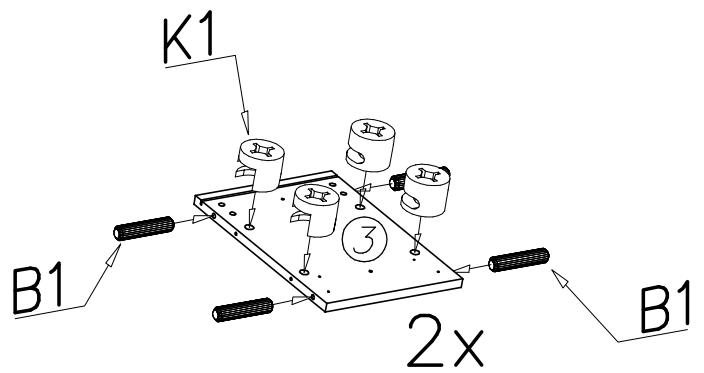
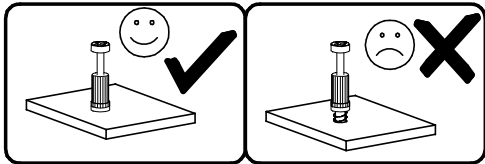
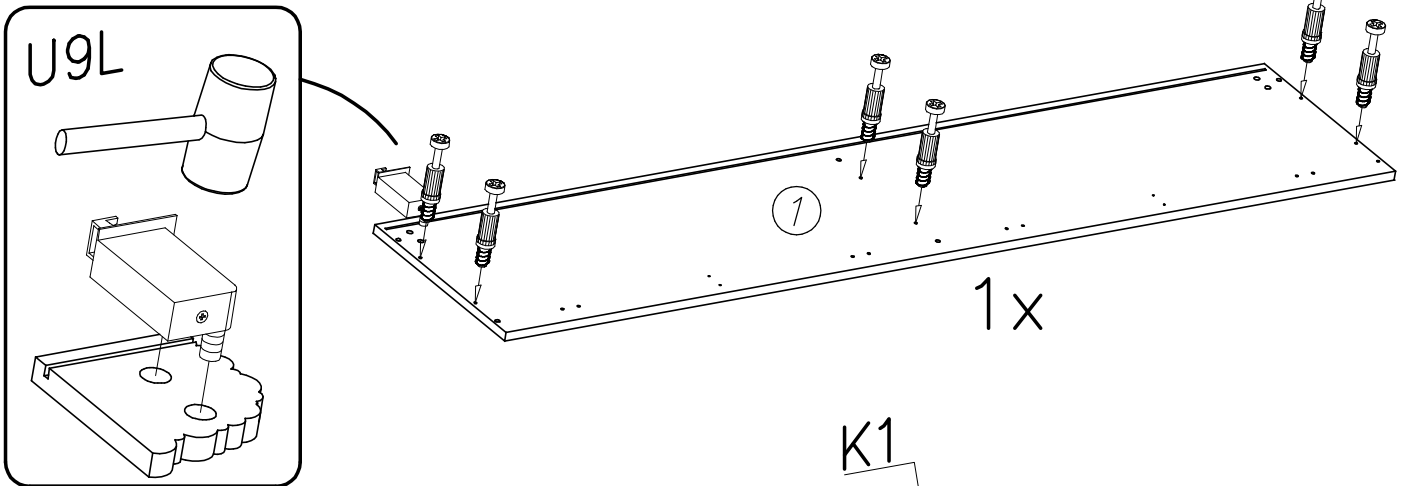
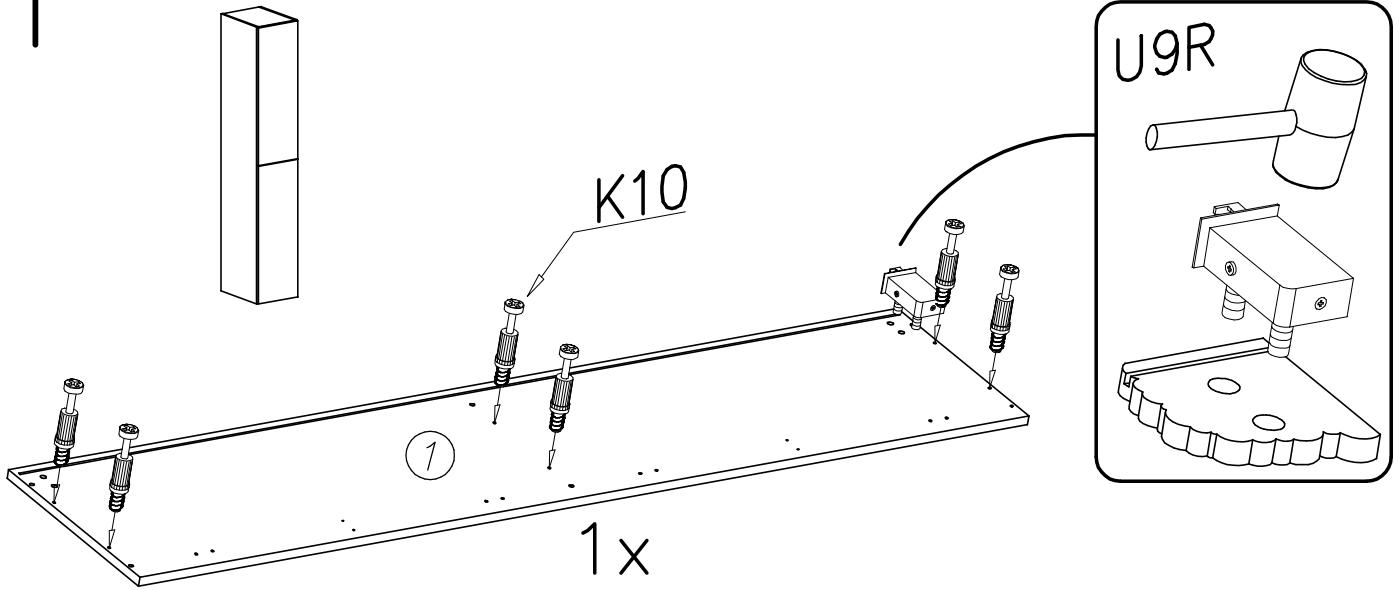




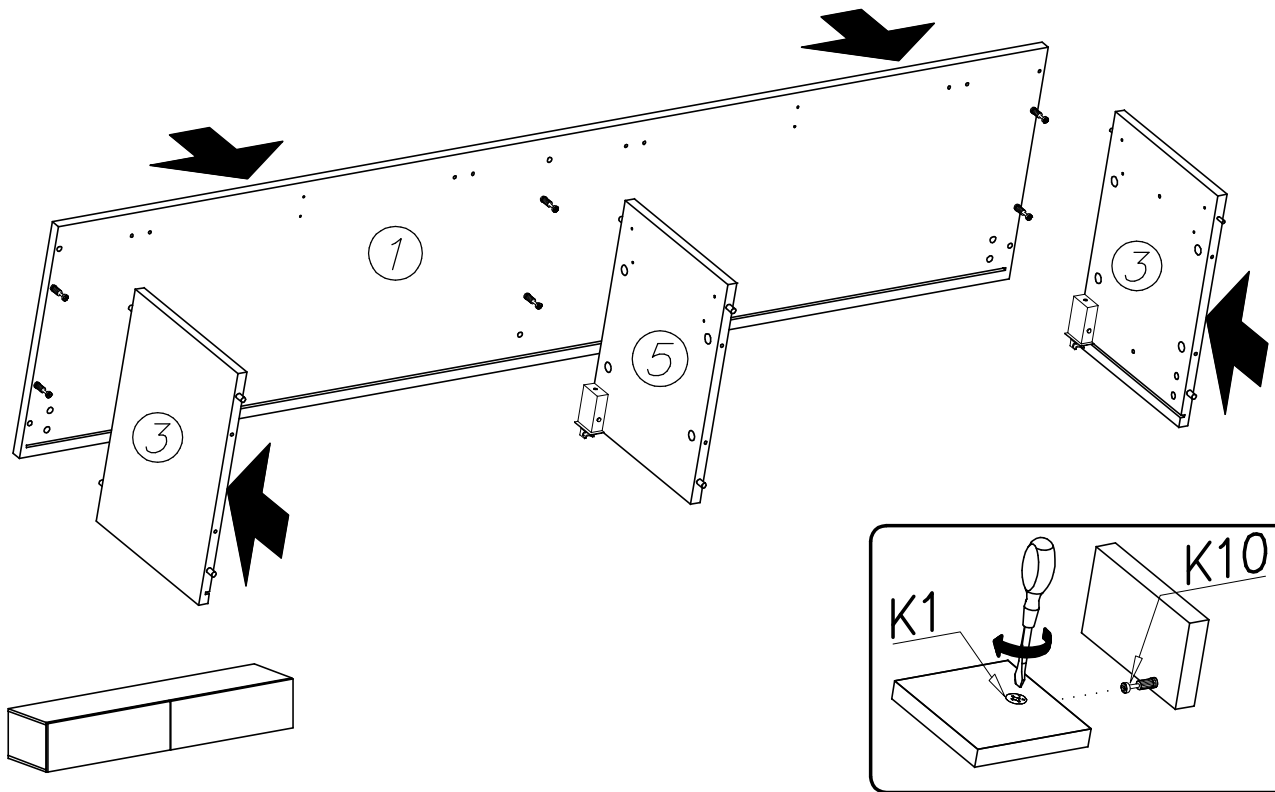
G32 3,5x16 x...(20)	N7 M4x15 x...(2)	I4 ø5 x...(12)	I10 ø10 x...(12)	L13 x...(2)
U9L x...(1)	U9R x...(2)	U10L x...(1)	U10R x...(2)	U7 x...(3)
K1 ø15x12 x...(12)	I7 x...(12)	I1 x...(10)	G57 3,5x16 x...(4)	U8 ø10x60 x...(3)
K10 x...(12)	B1 ø8x35 x...(12)	C3 Z35PR x...(4)	D3 PZ35PR x...(4)	G34 3,5x16 x...(10)



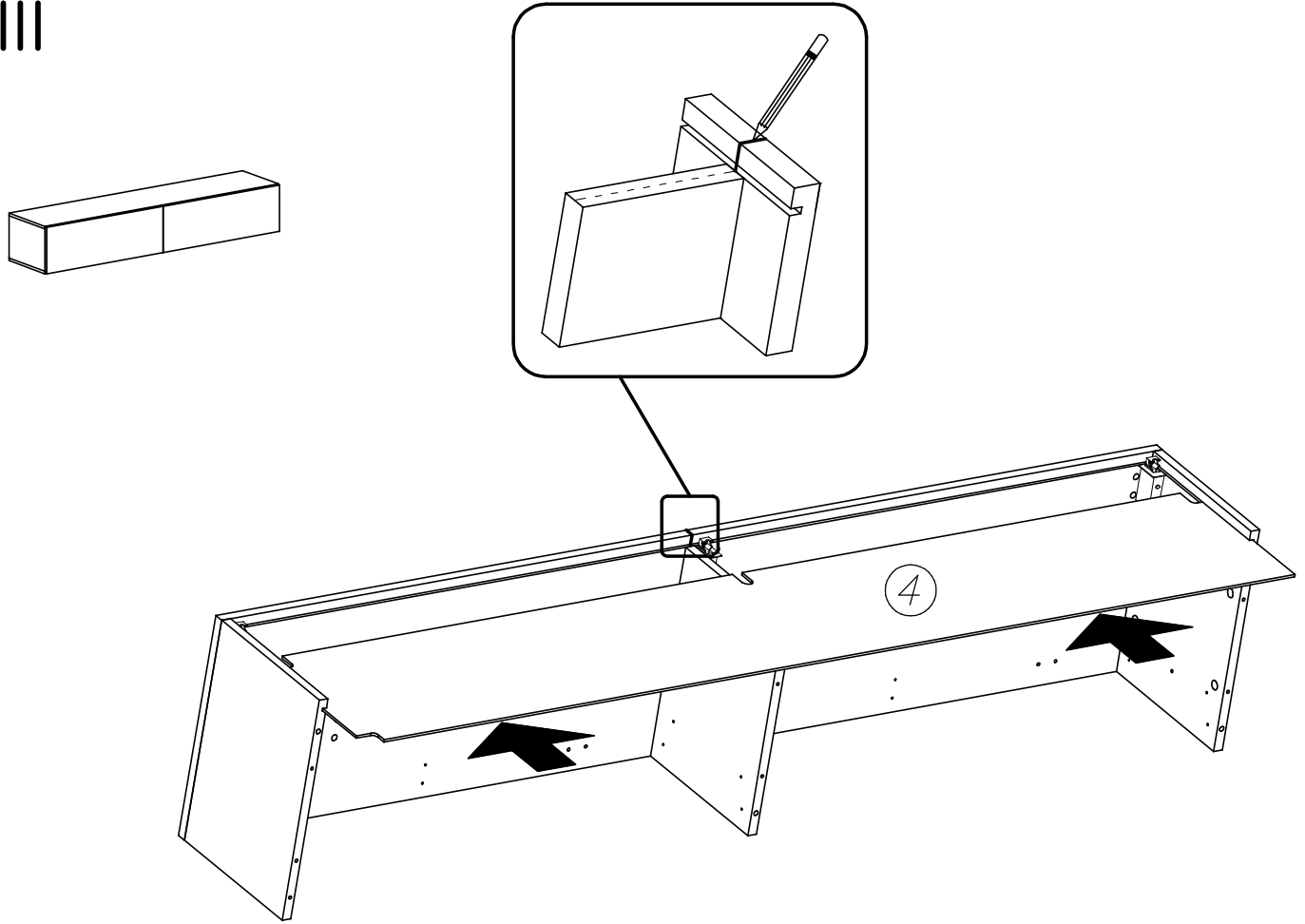
I



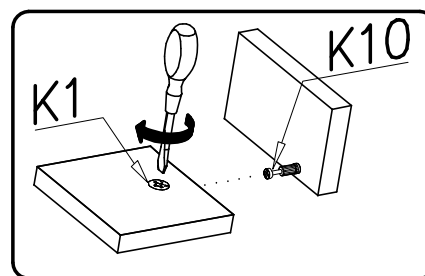
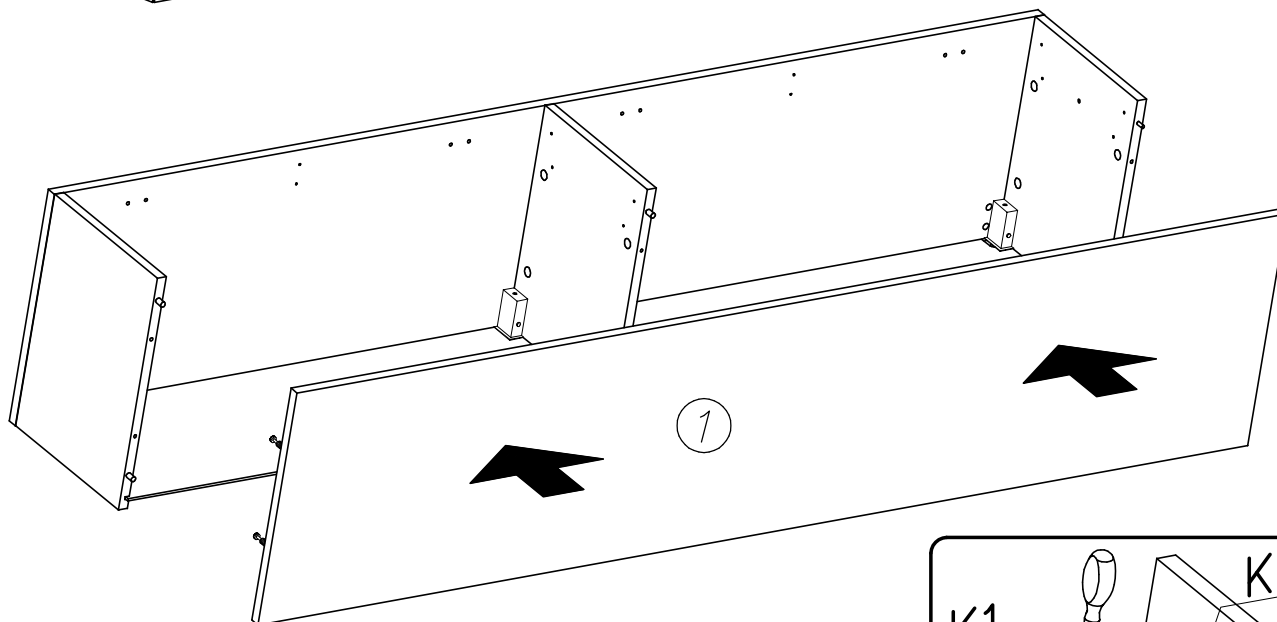
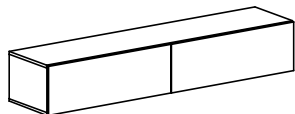
II



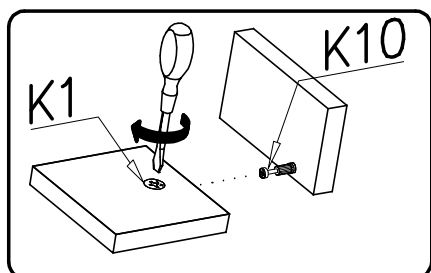
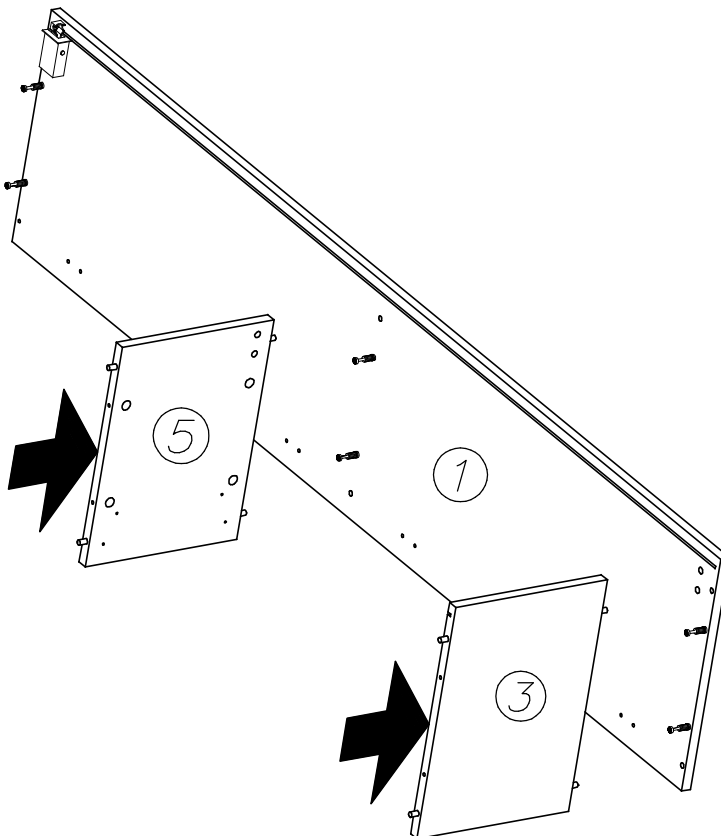
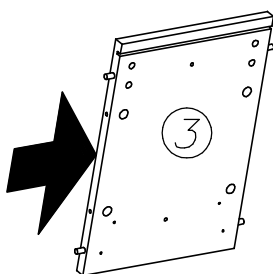
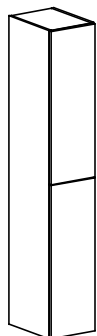
III



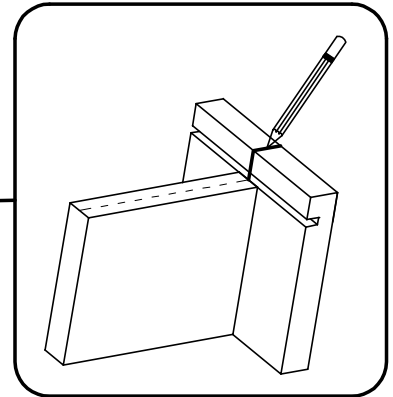
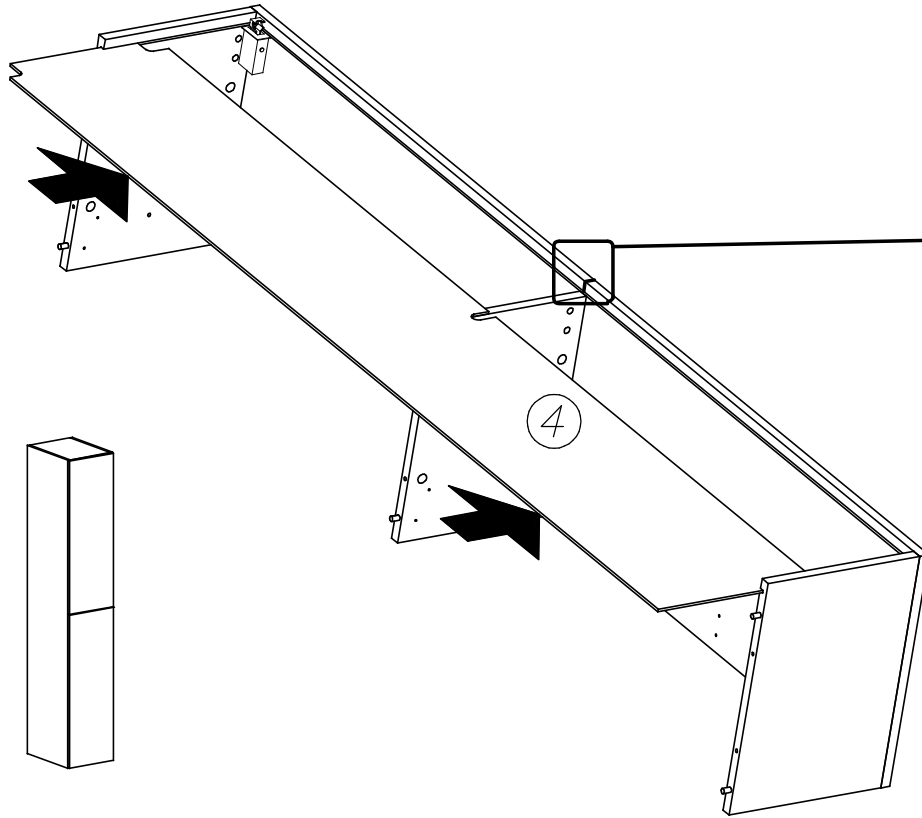
IV



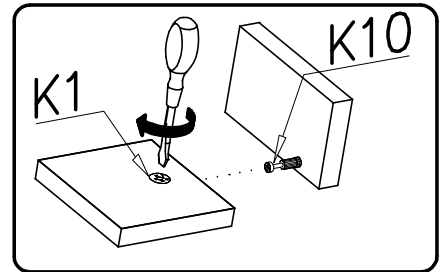
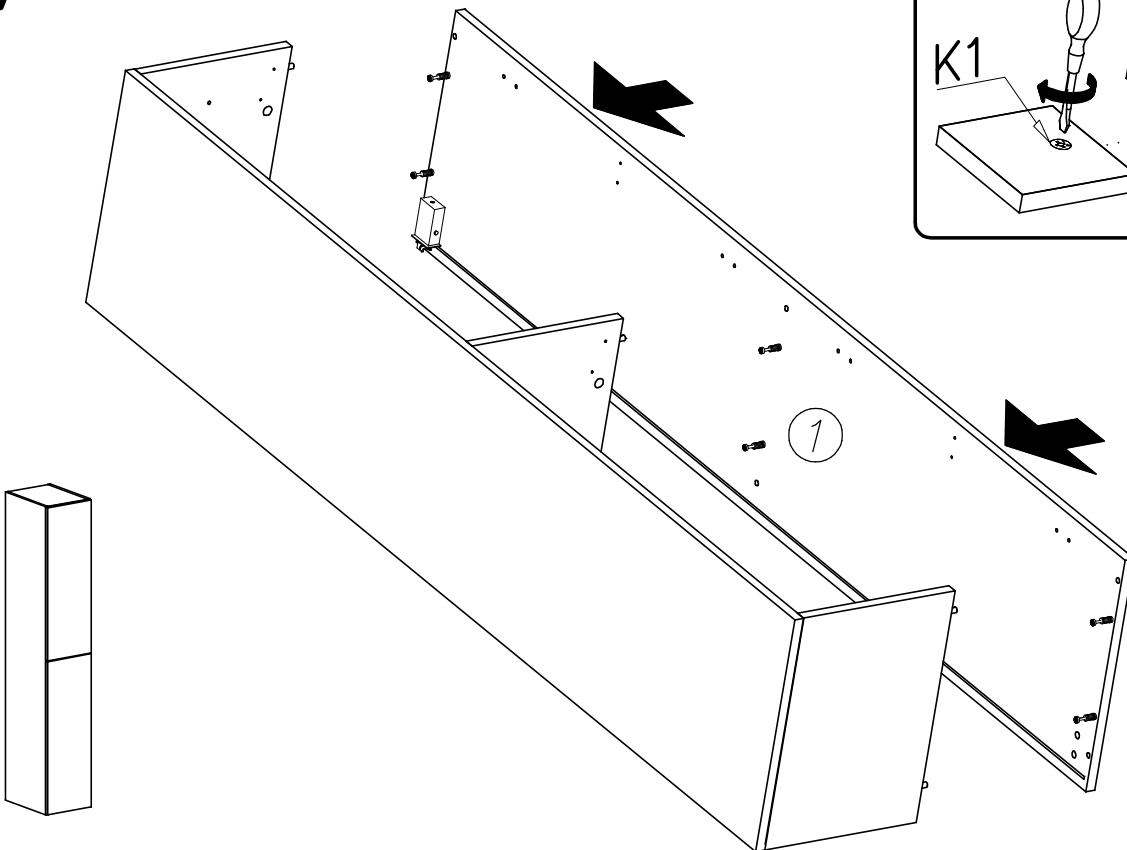
II



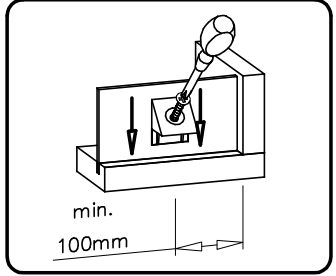
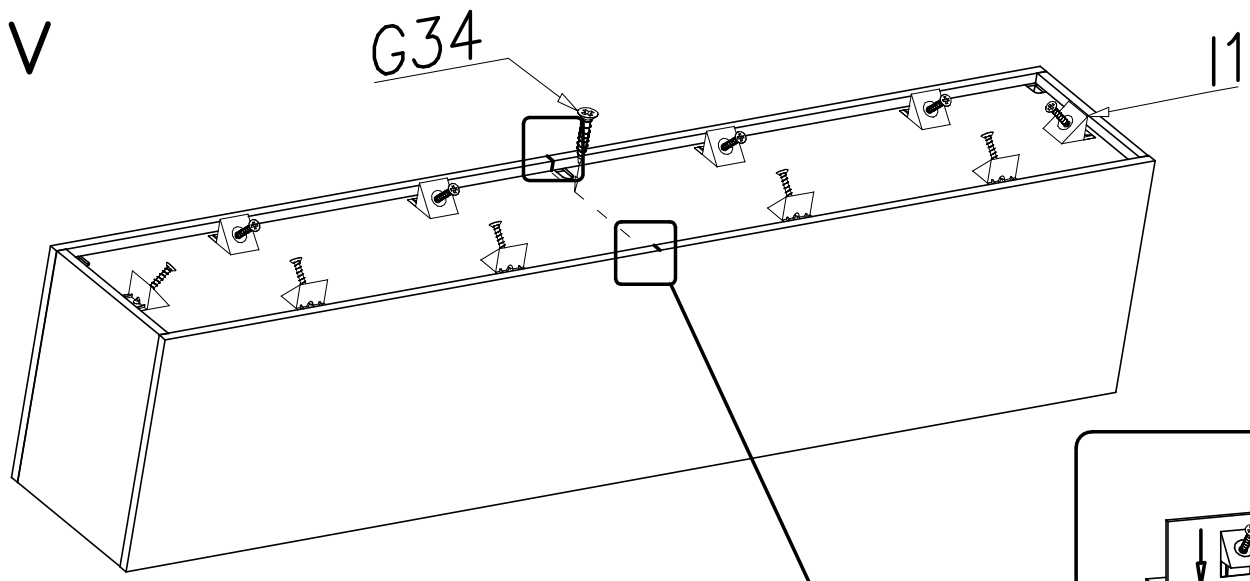
III



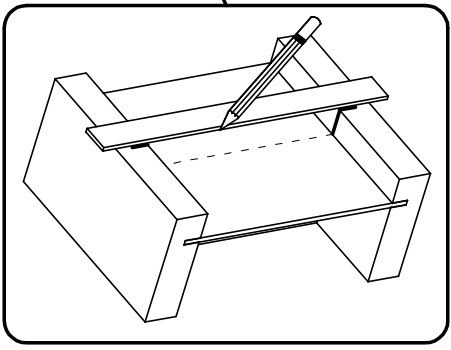
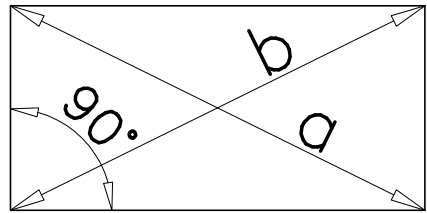
IV



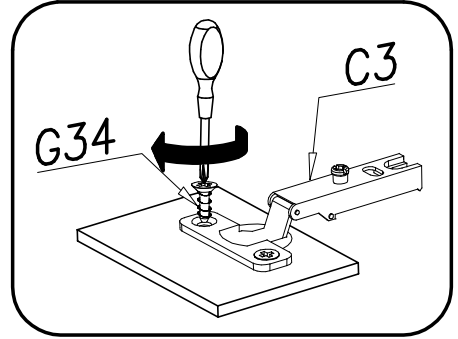
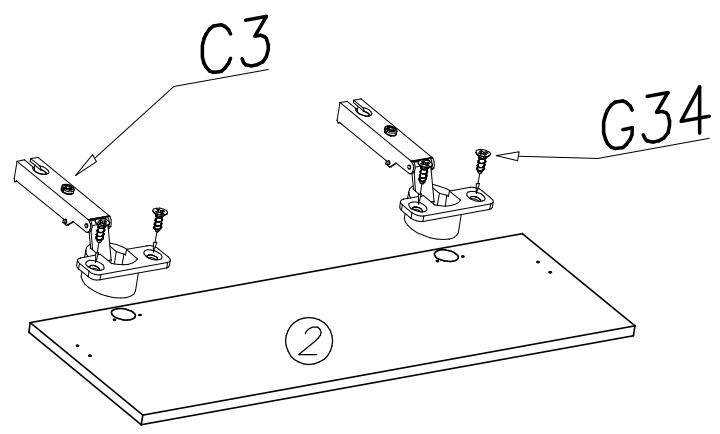
V



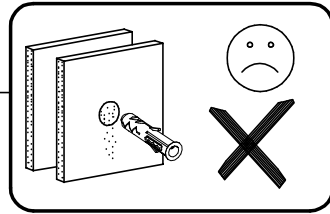
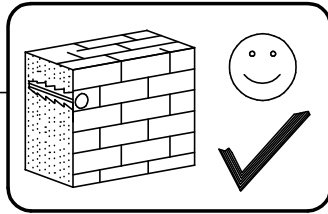
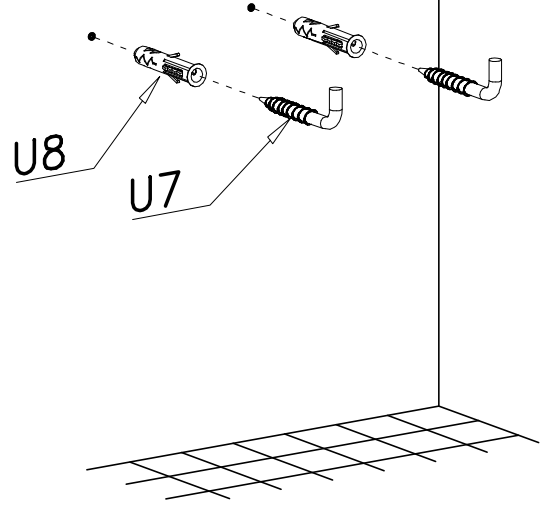
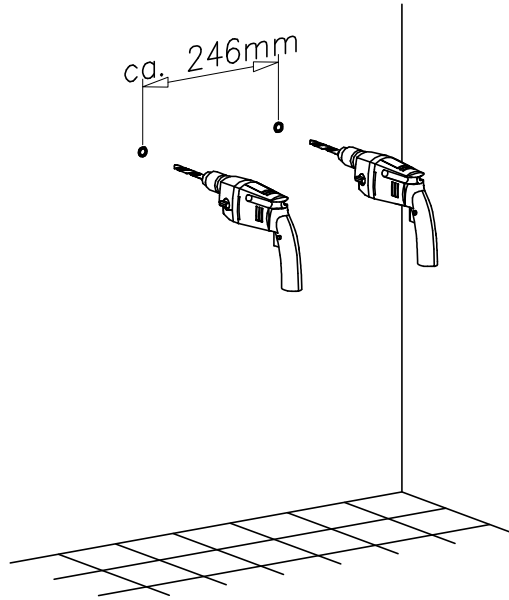
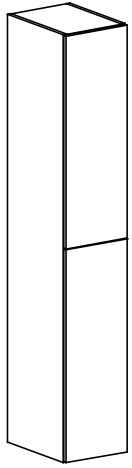
$a=b$



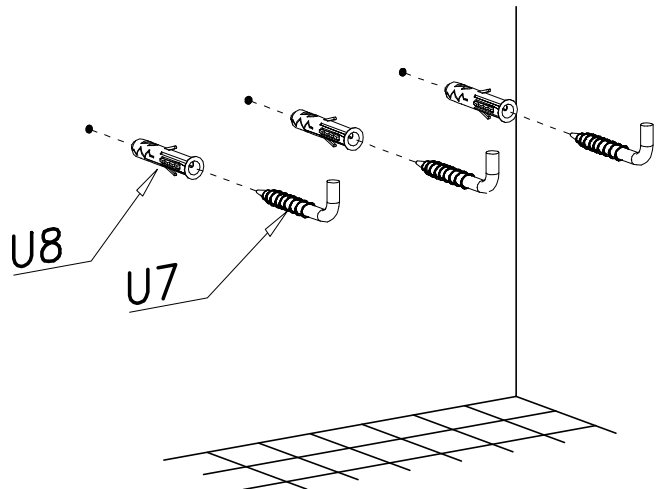
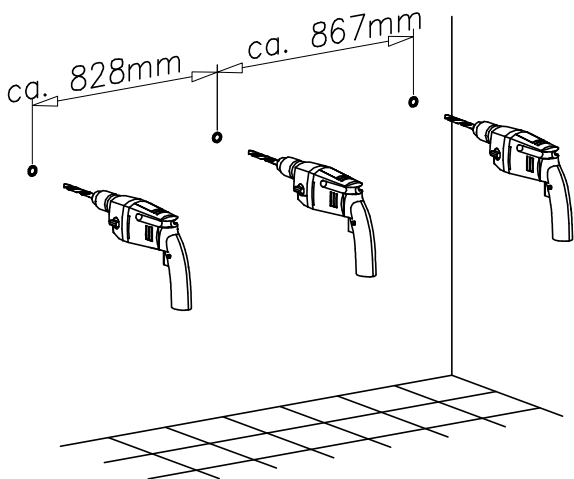
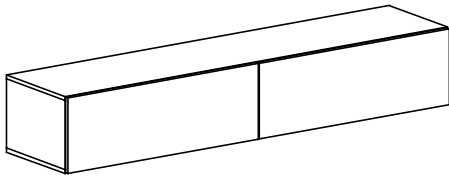
VI



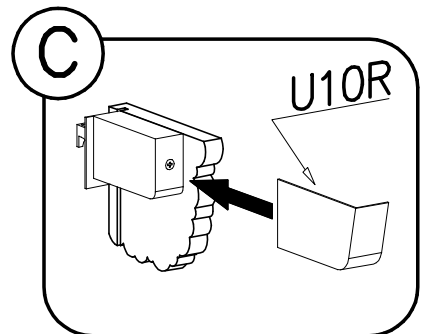
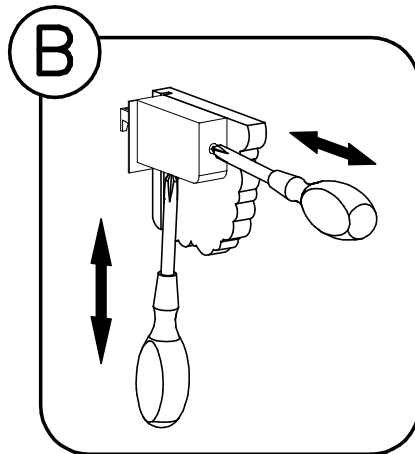
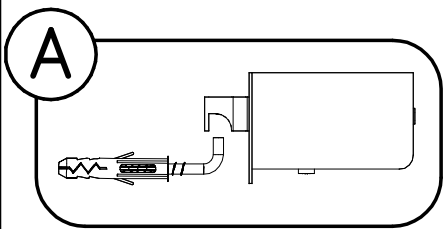
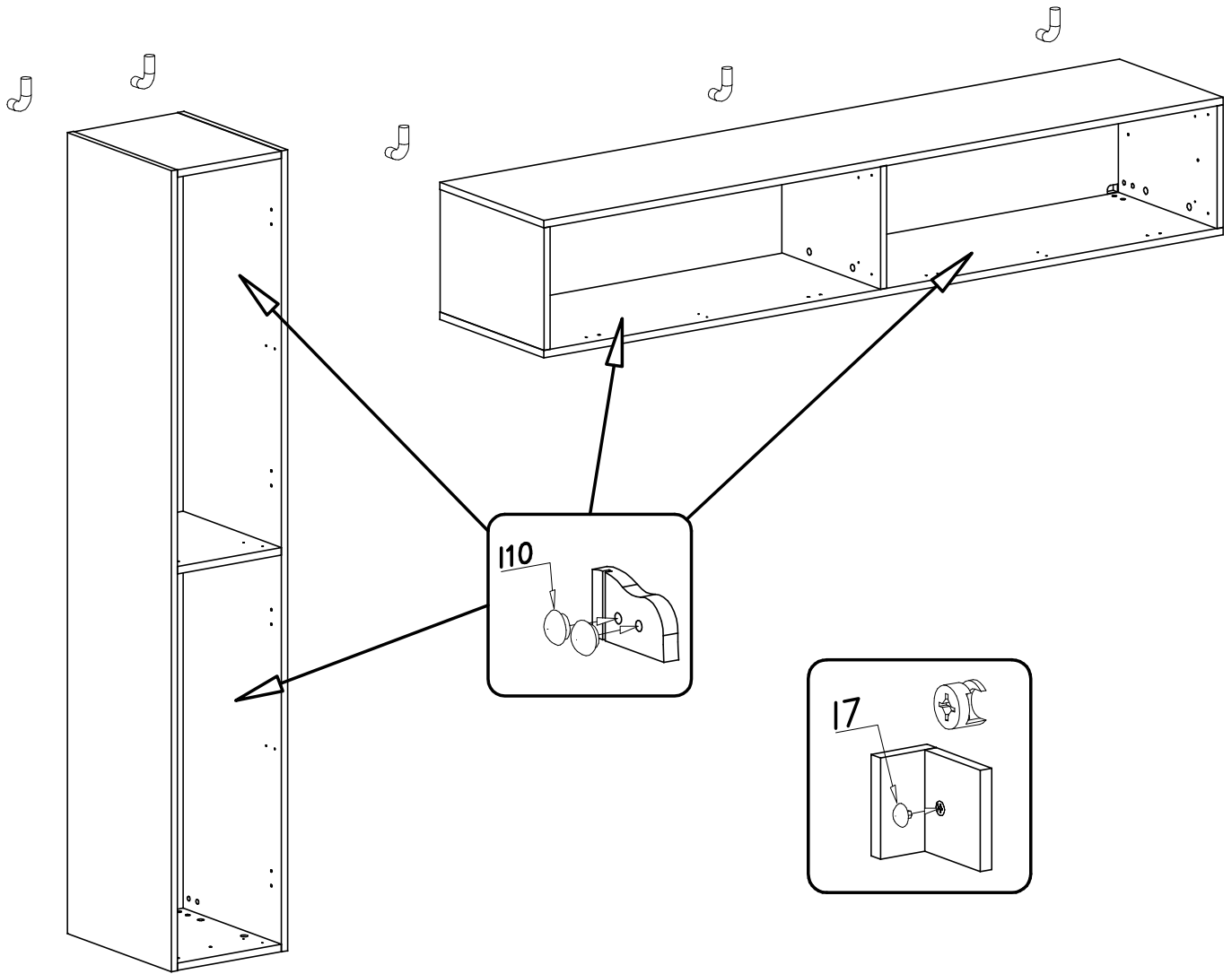
VII



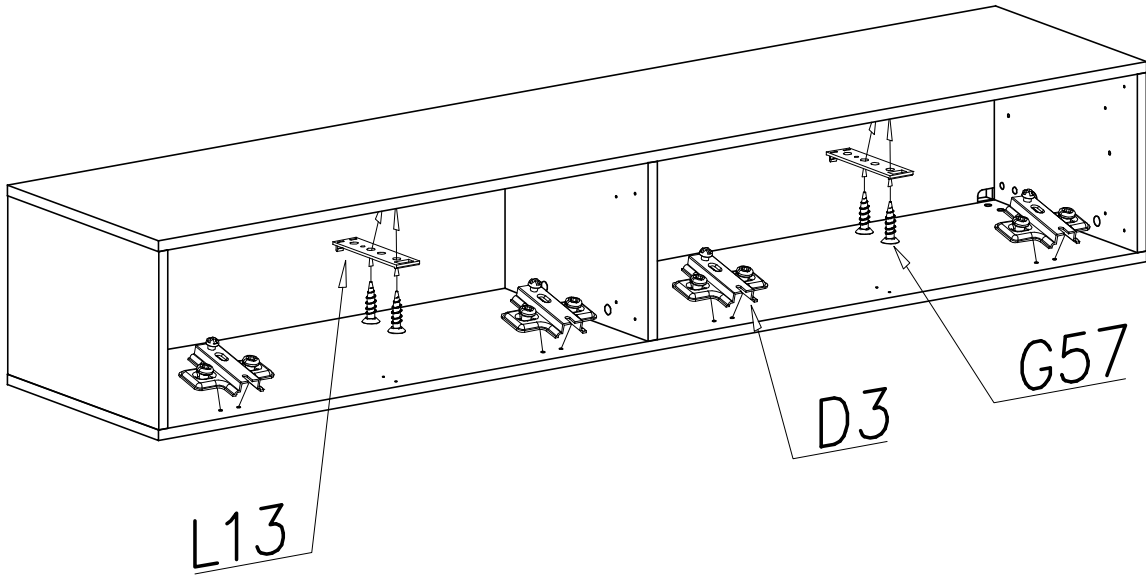
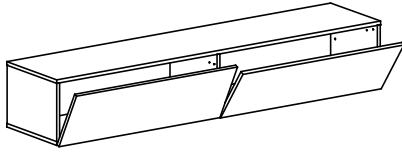
VII



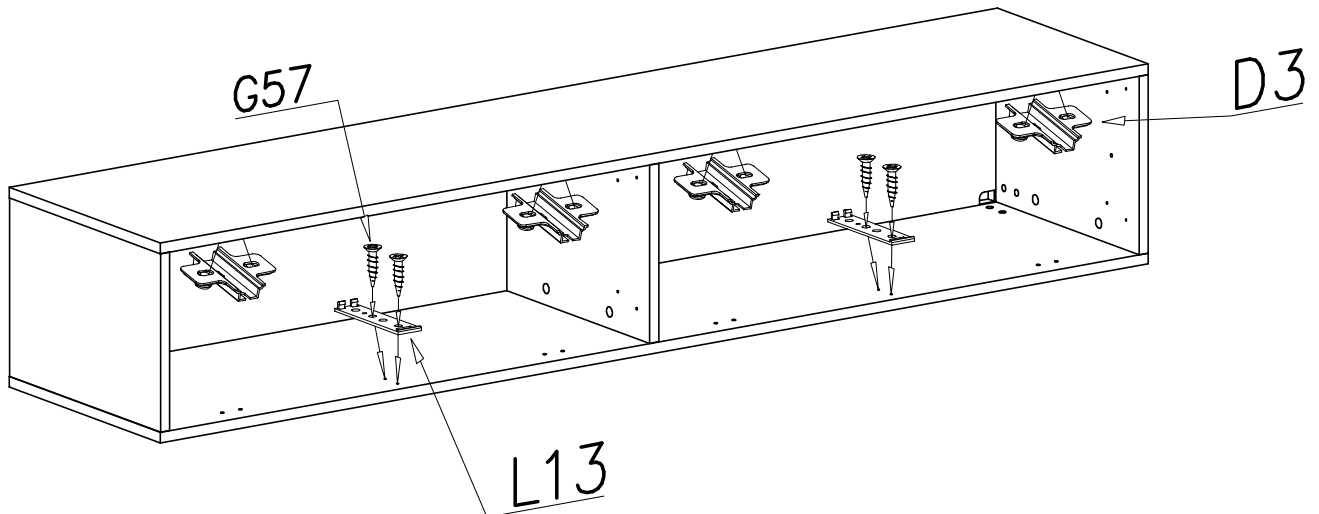
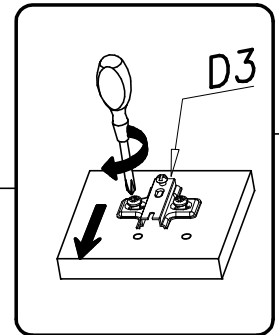
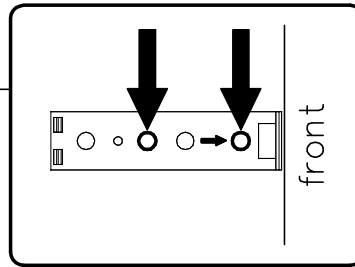
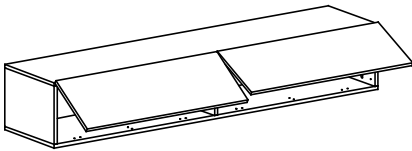
VIII



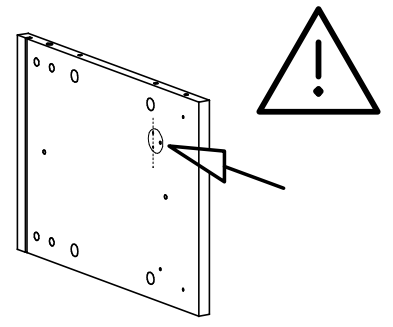
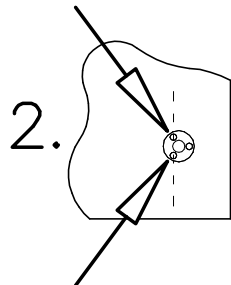
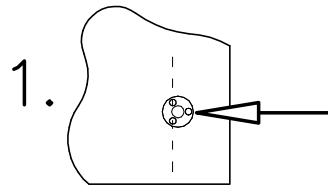
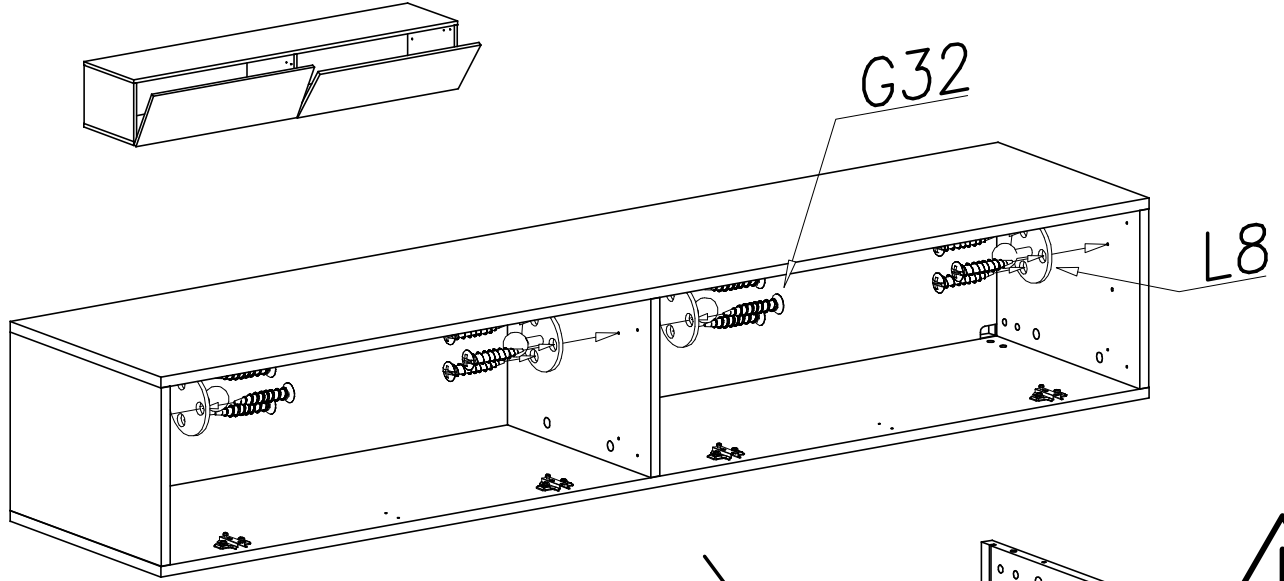
IX



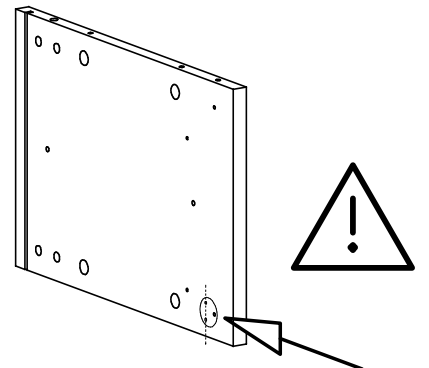
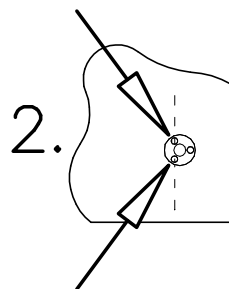
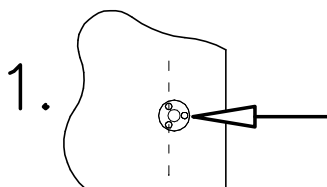
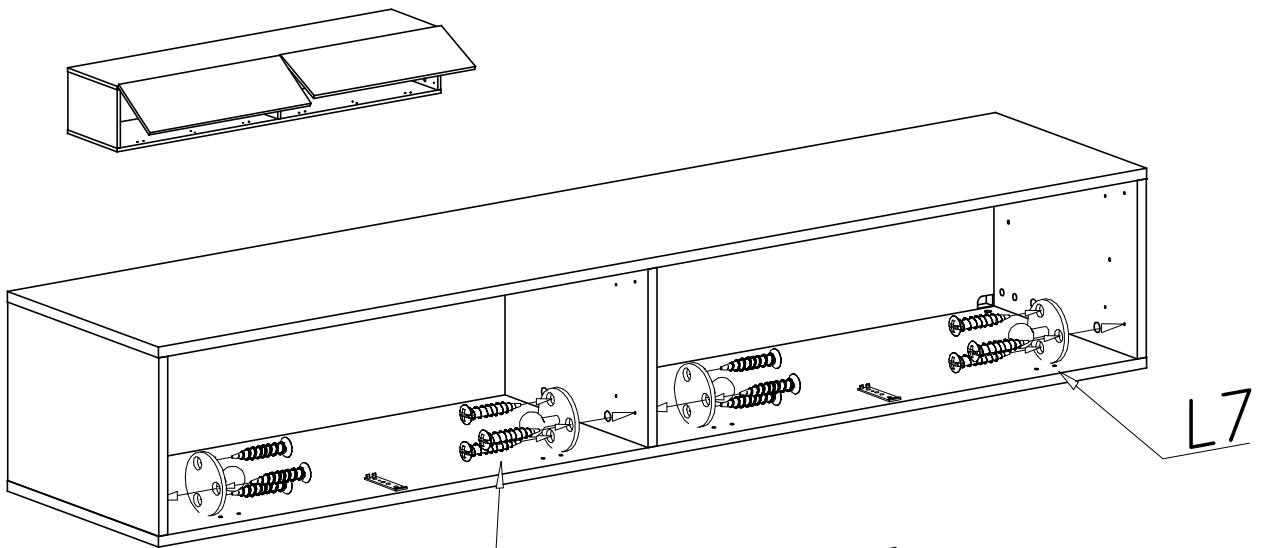
IX



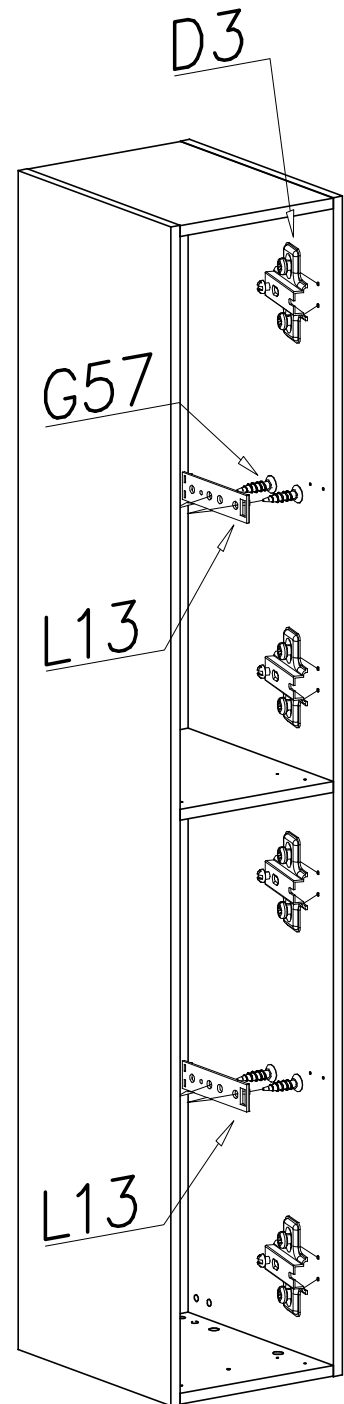
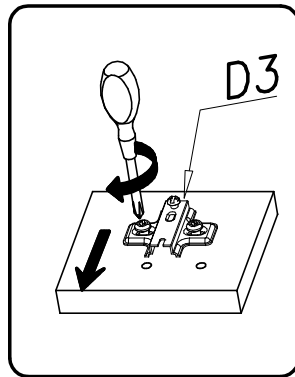
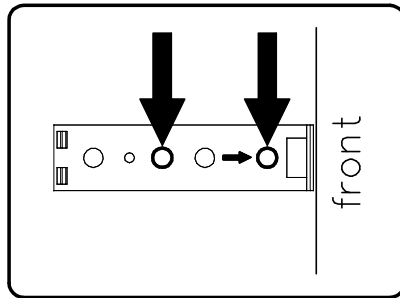
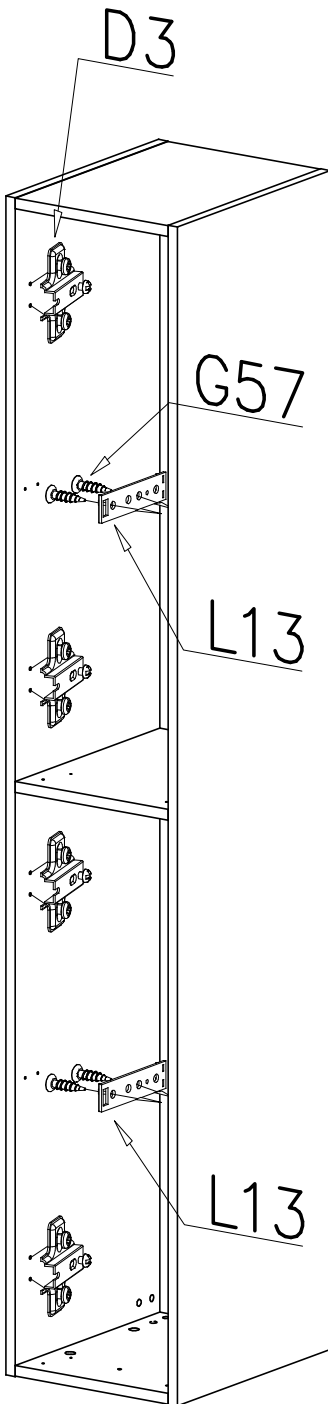
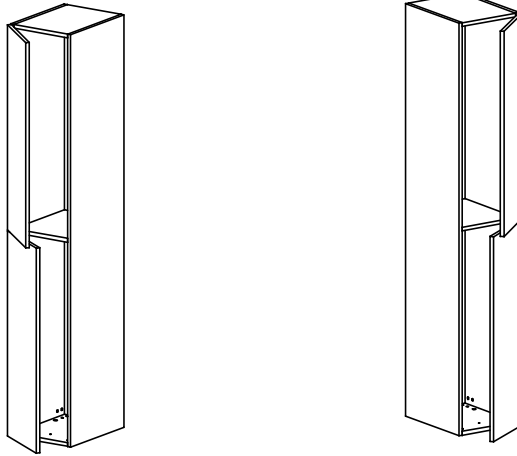
X



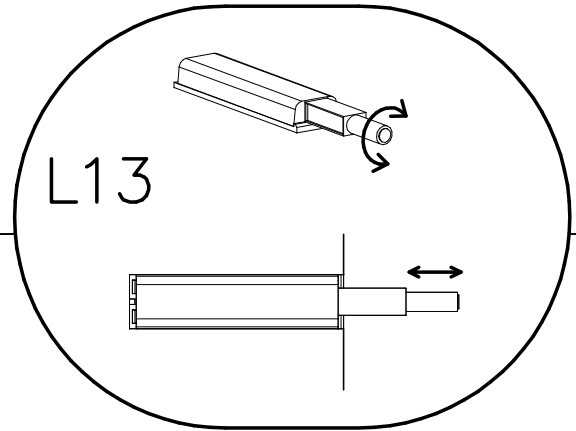
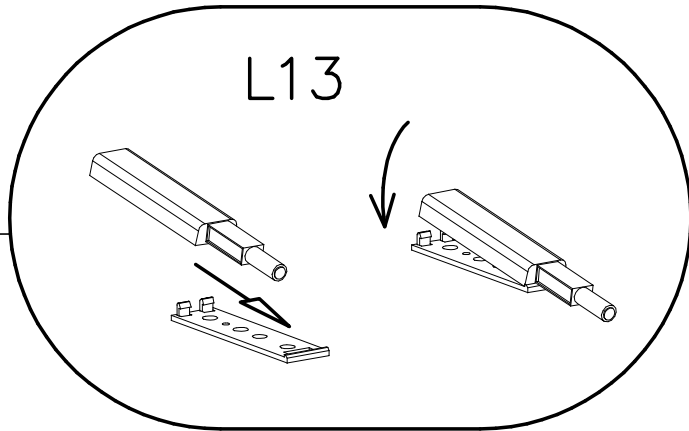
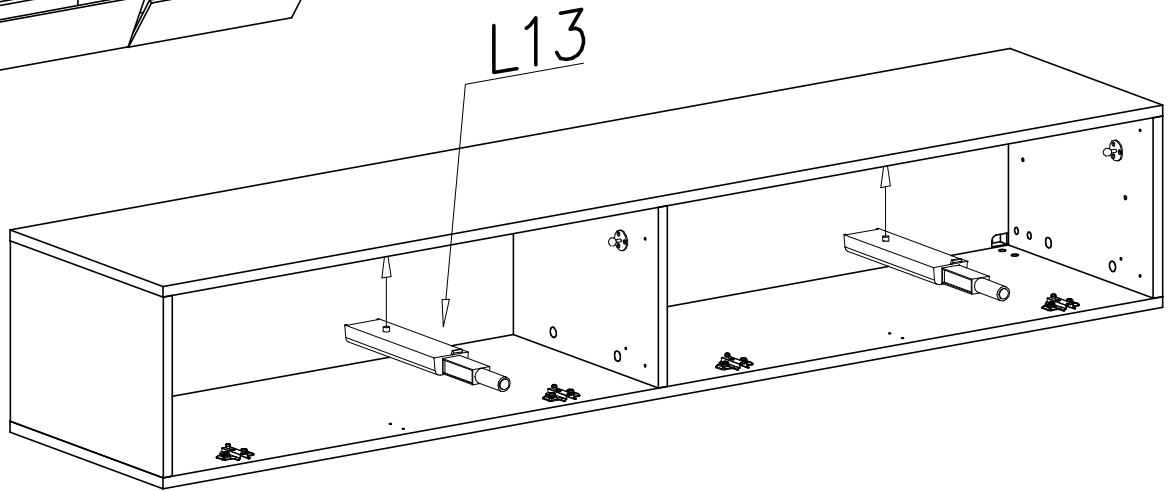
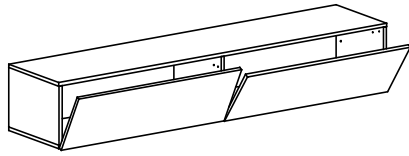
X



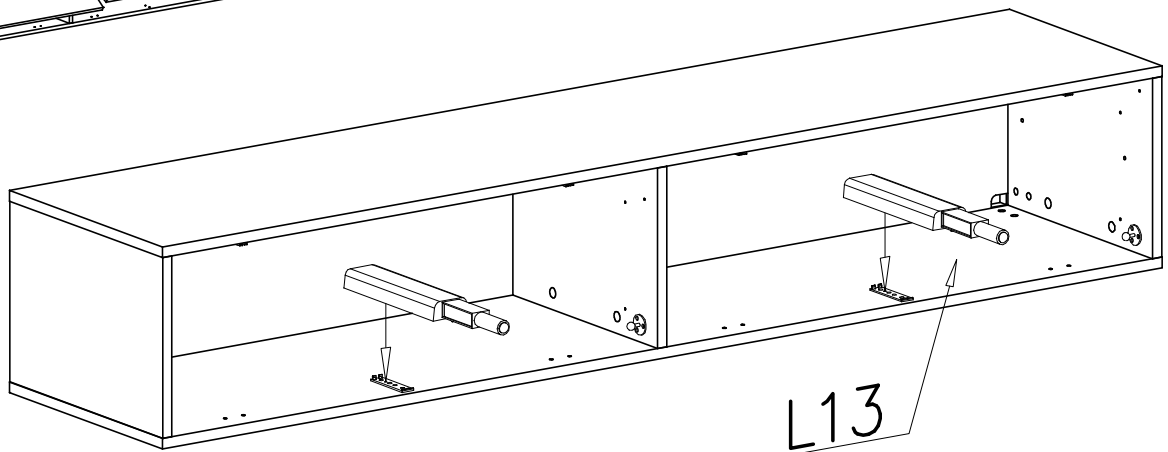
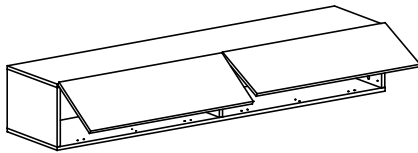
XI-X



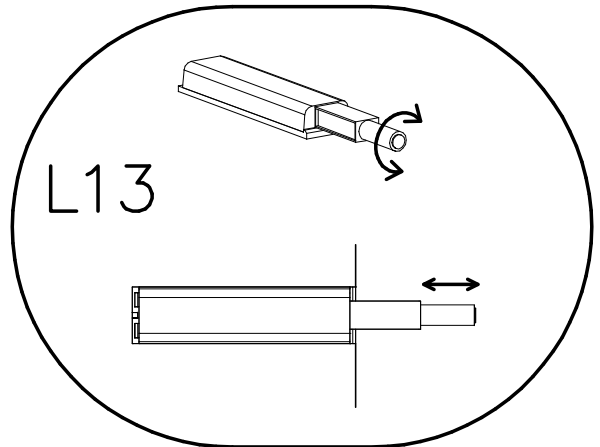
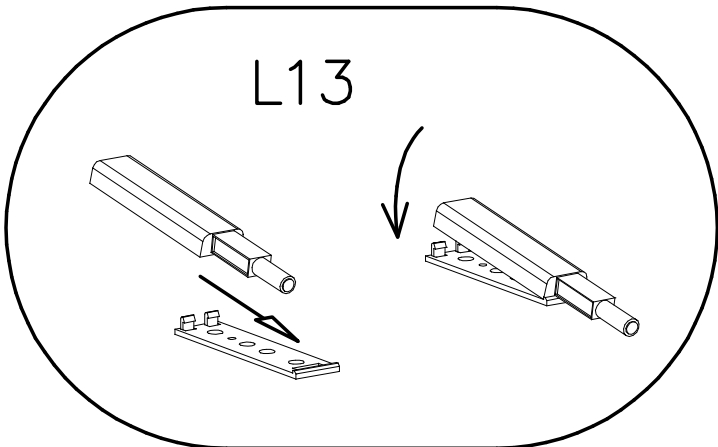
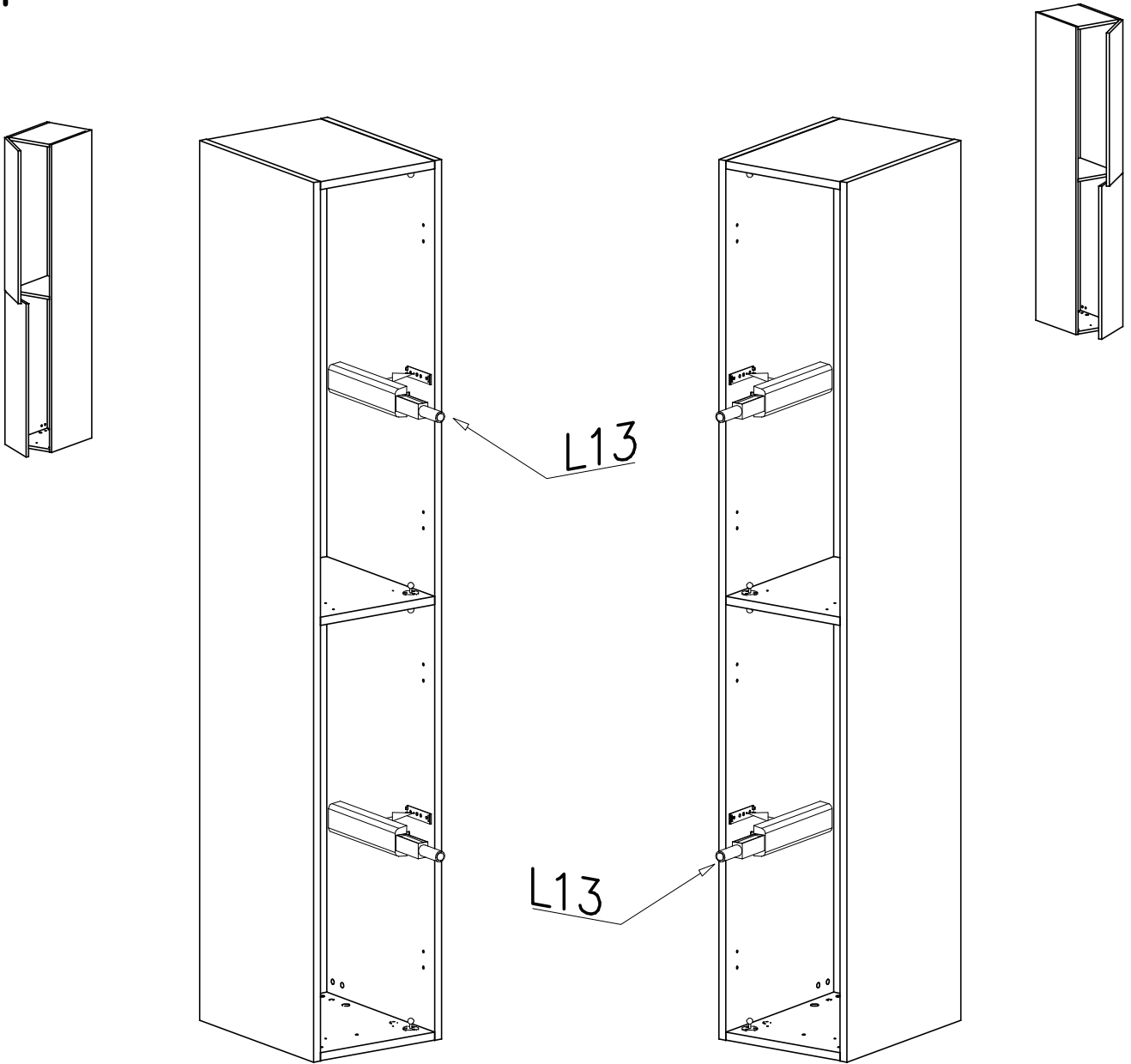
XI



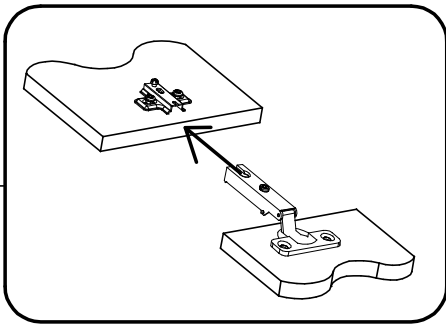
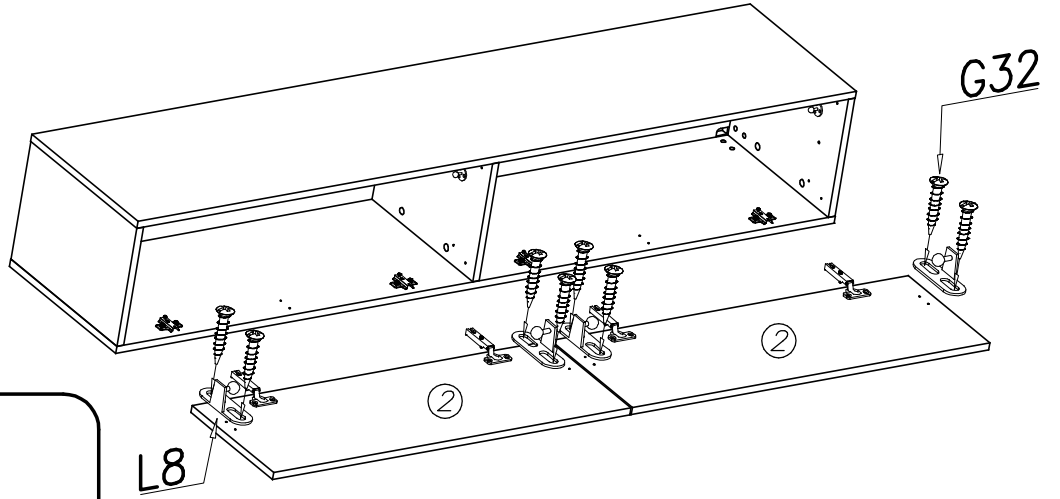
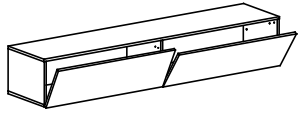
XI



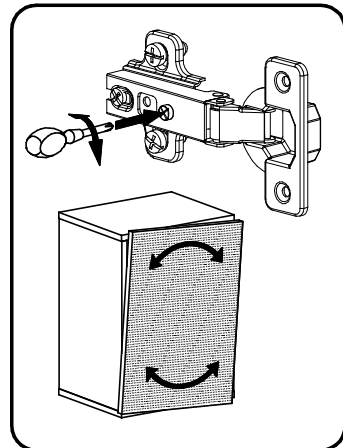
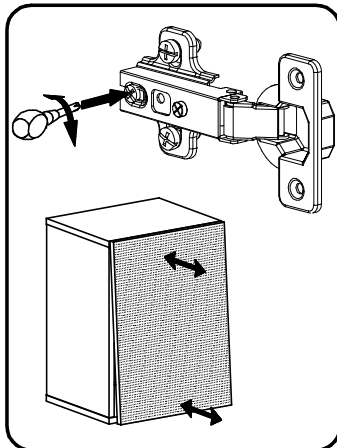
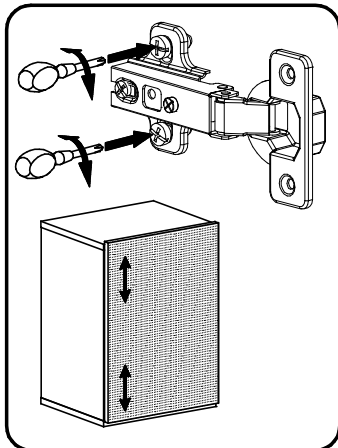
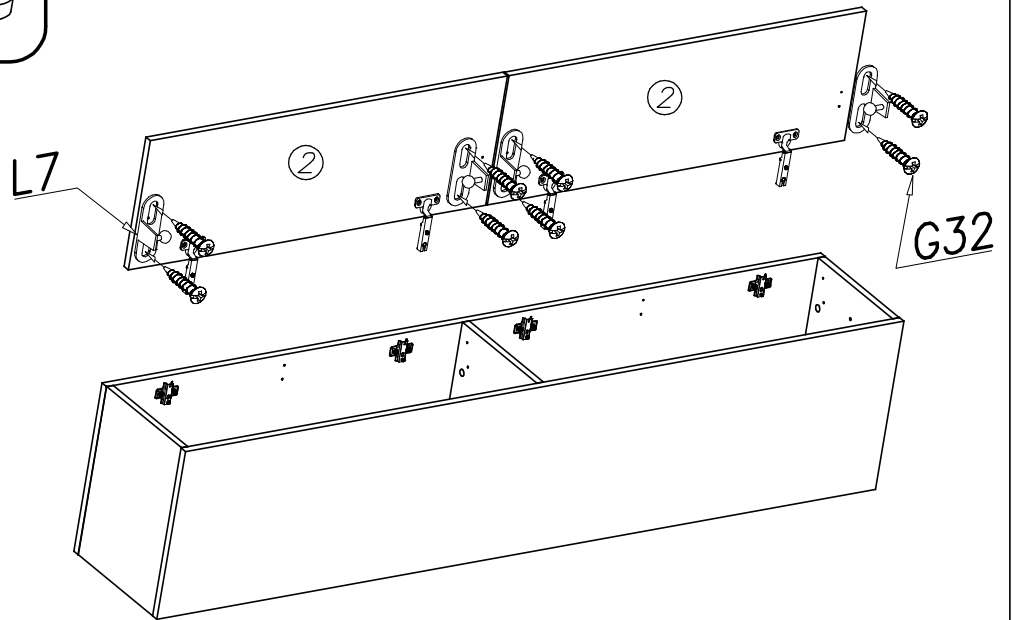
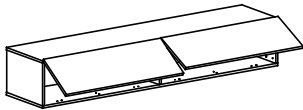
XI



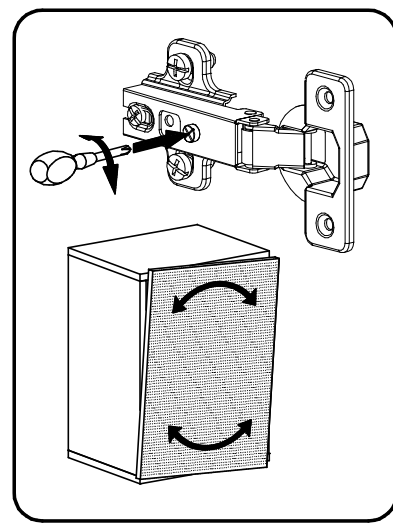
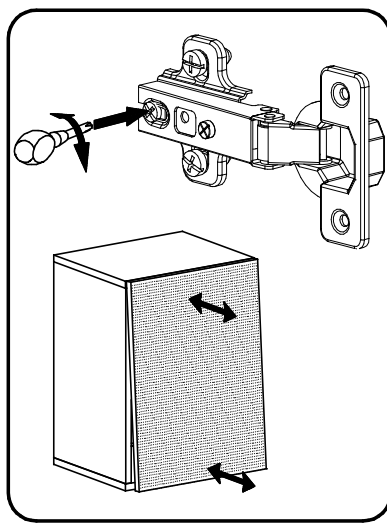
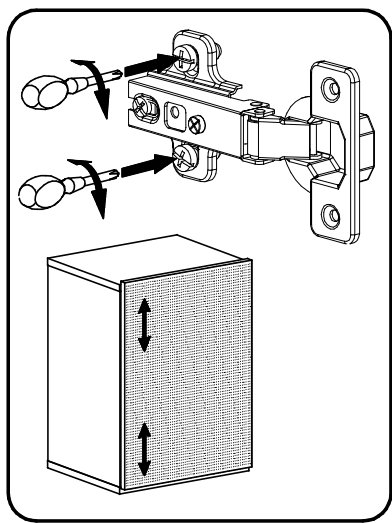
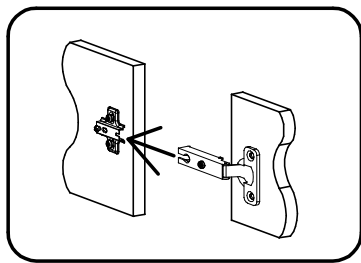
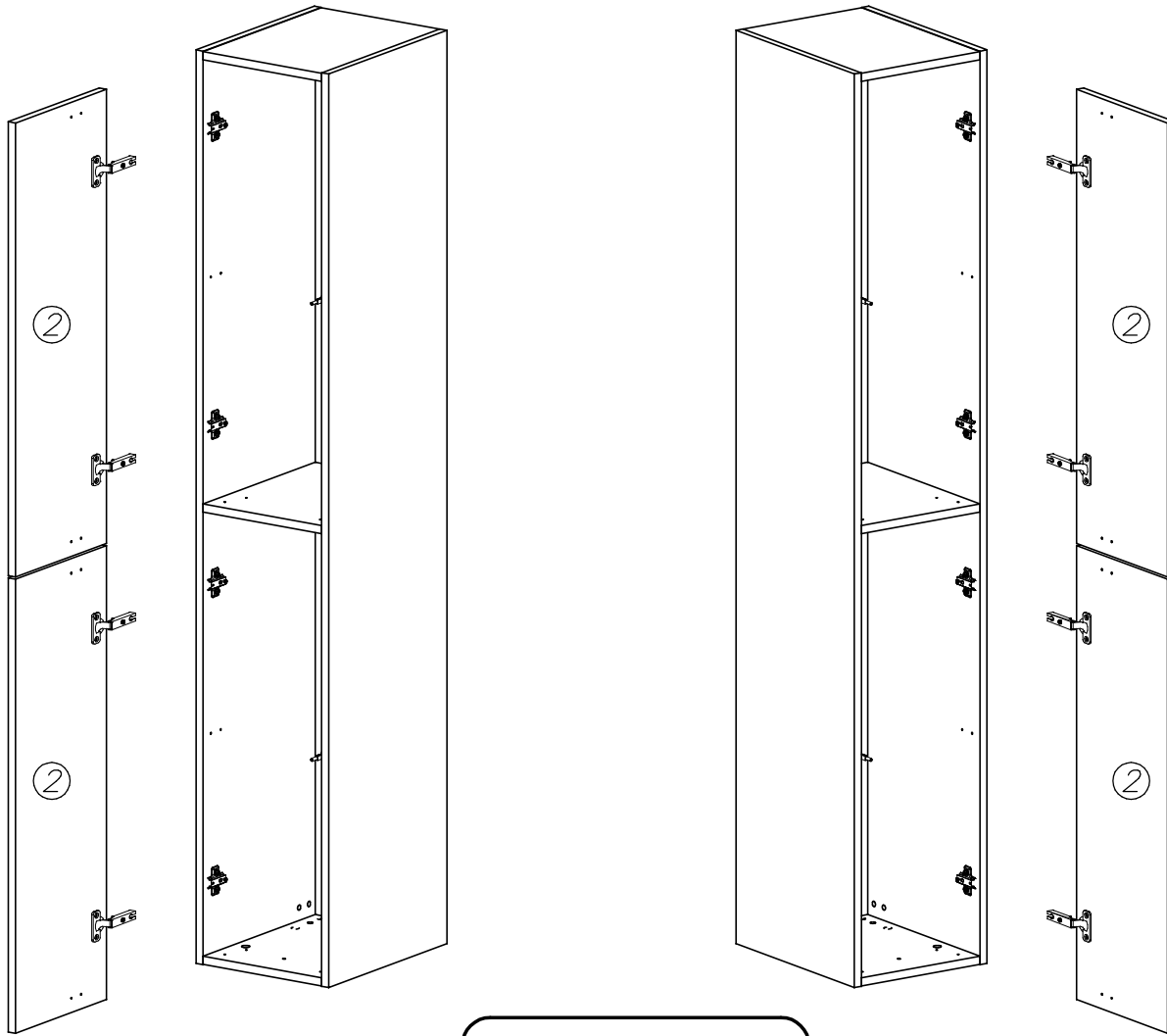
XII



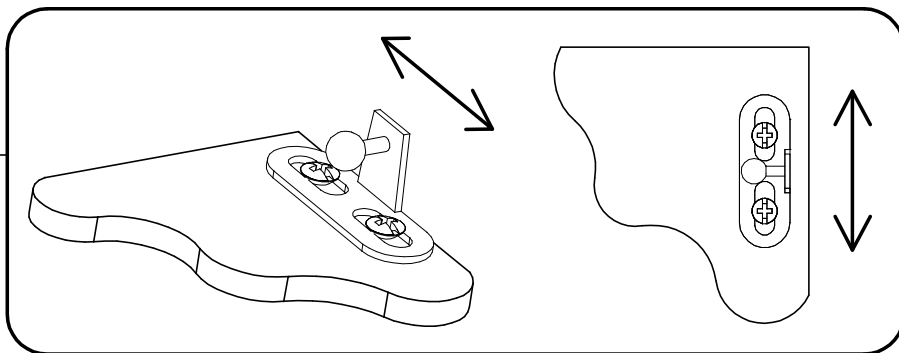
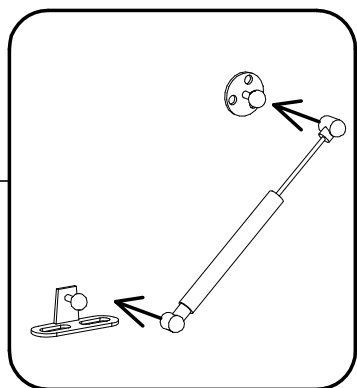
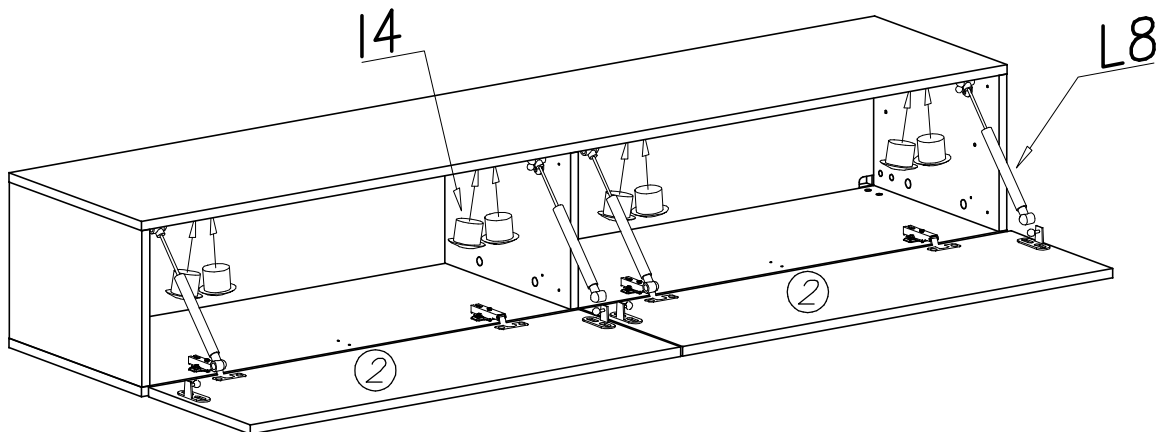
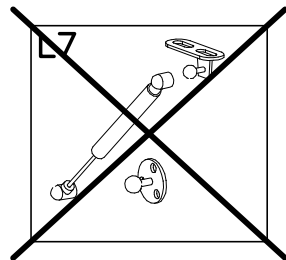
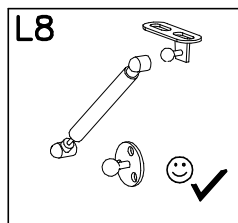
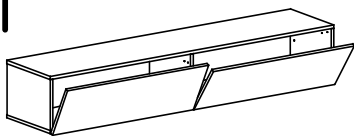
XII



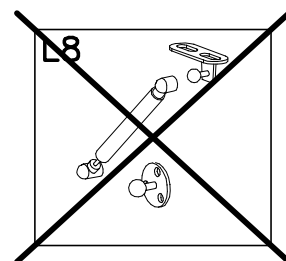
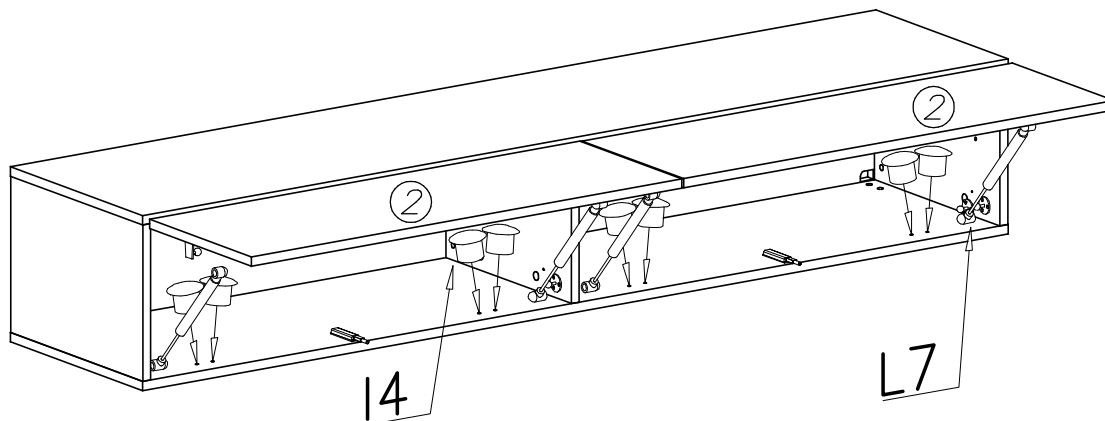
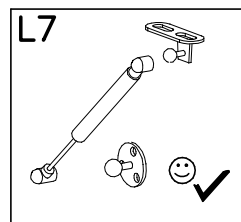
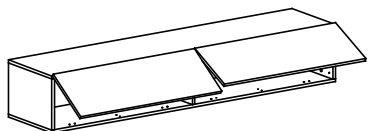
XII



XIII



XIII



XIV

