

# DRESSER MIRROR

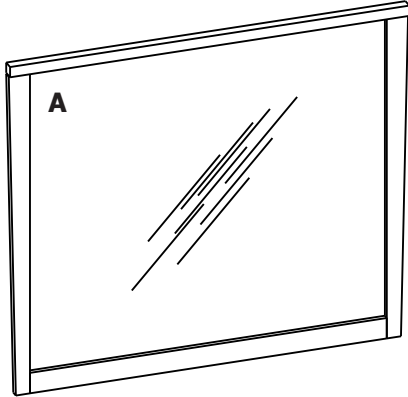
## ASSEMBLY INSTRUCTIONS

### PARTS AND FITTING PACKAGING DETAIL

#### BOX #1

#### WIDE DRESSER MIRROR

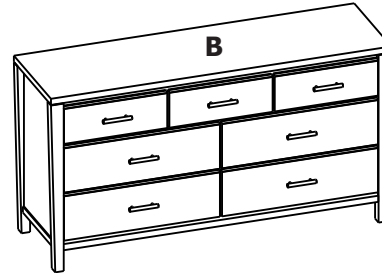
A. WIDE DRESSER MIRROR 1 PC



#### BOX #2

#### 7-DRAWER DRESSER \*

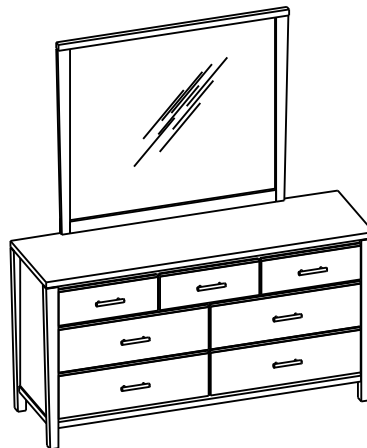
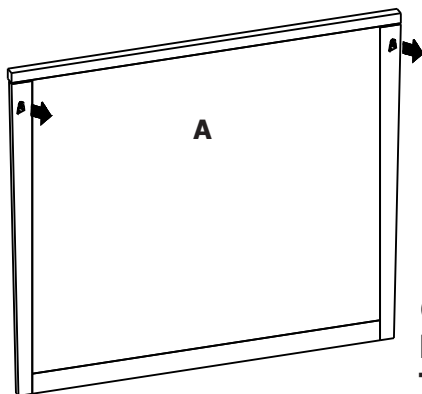
B. DRESSER 7 DRAWER 1 PC  
C. DRESSER MIRROR SUPPORT 2 PCS  
HARDWARE SET



\*SOLD SEPARATELY

#### OPTION 1 HANGING WIDE DRESSER MIRROR ON A WALL

HANG ON A WALL USING THE PRE-INSTALLED  
MOUNTING BRACKETS ON THE BACK OF MIRROR.



#### OPTION 2 MOUNTING WIDE DRESSER MIRROR TO DRESSER

#### HARDWARE PACKED IN BOX #2

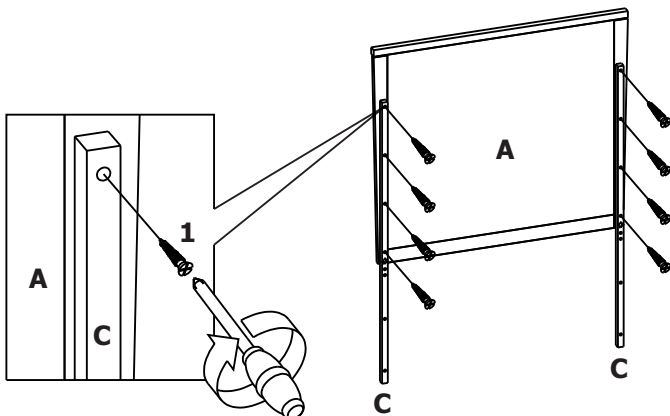
1	WOOD SCREWS Ø8X38MM	16 PCS
---	------------------------	-----------



NOT PROVIDED

#### STEP 1 :

ATTACH BOTH MIRROR SUPPORTS (C) TO BACK OF  
MIRROR (A) USING THE PROVIDED PILOT HOLES  
AS GUIDES WITH WOOD SCREWS (1).  
TIGHTEN SCREWS USING A PHILLIPS HEAD  
SCREWDRIVER.



#### STEP 2 :

FOLLOW THE ILLUSTRATION BELOW TO ATTACH MIRROR (A)  
TO DRESSER (B) USING WOOD SCREWS (1).  
USE PILOT HOLES AS REFERENCE.  
TIGHTEN SCREWS USING A PHILLIPS HEAD SCREWDRIVER.

