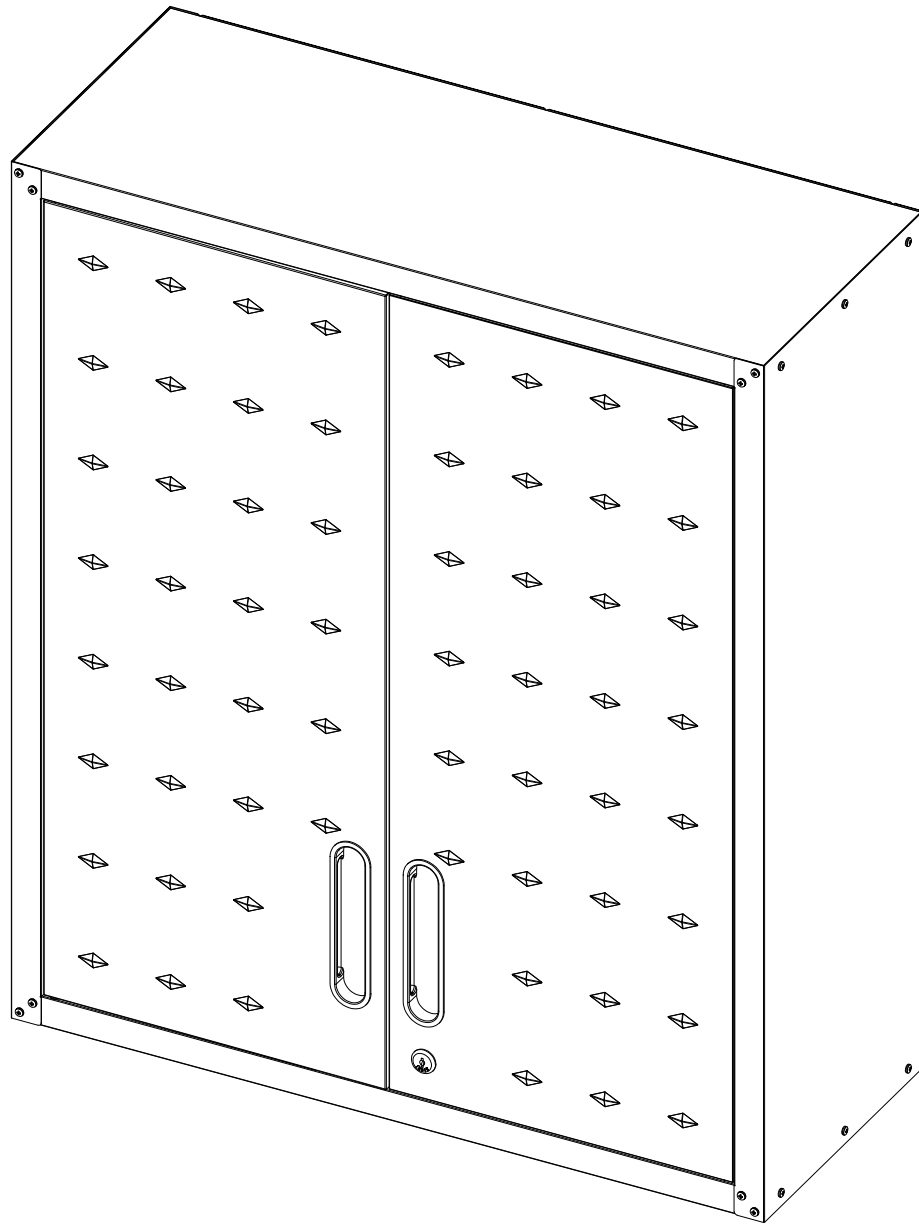
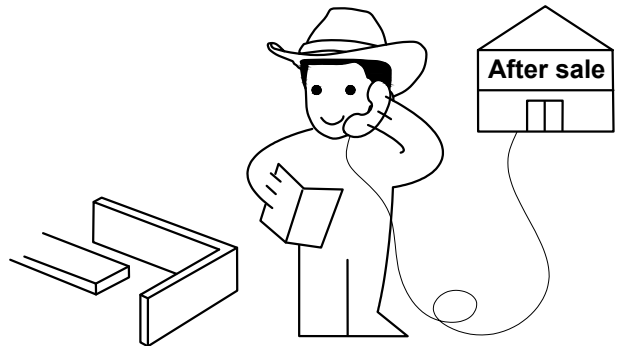
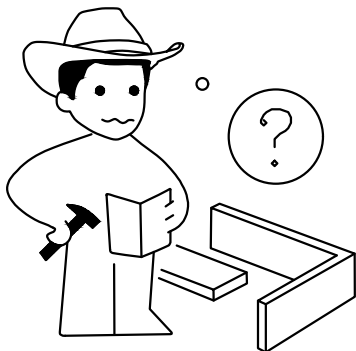
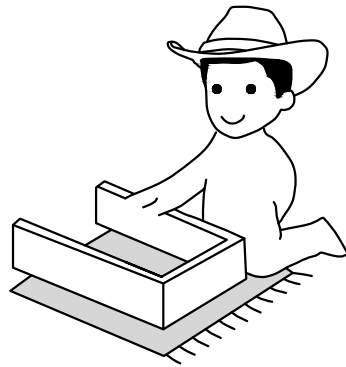
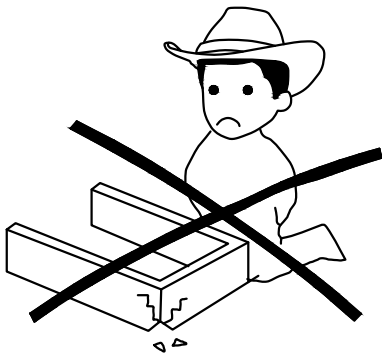
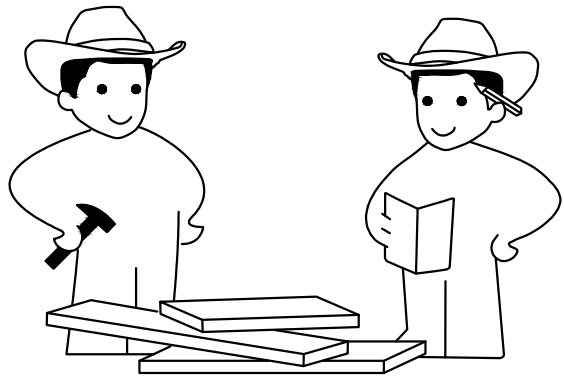
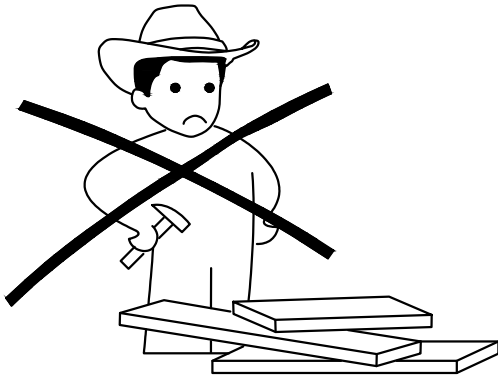
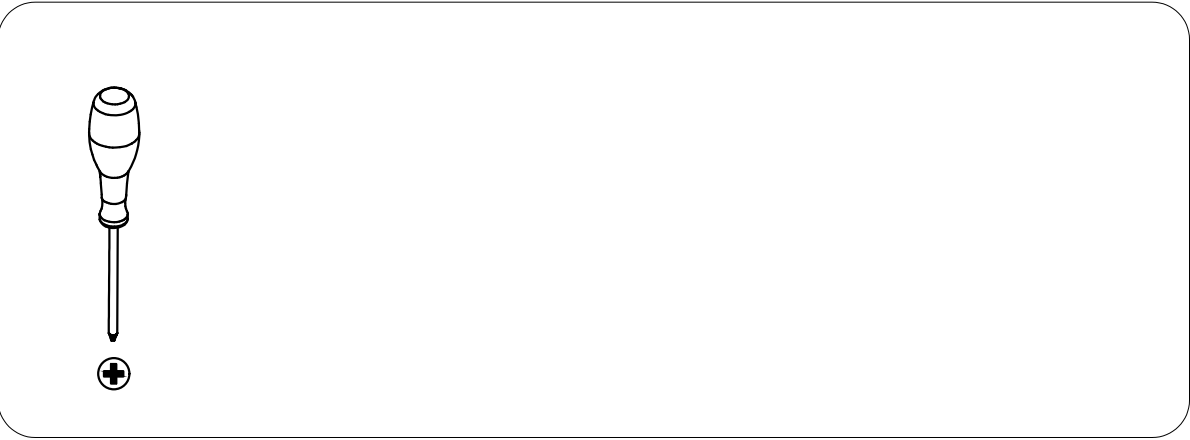
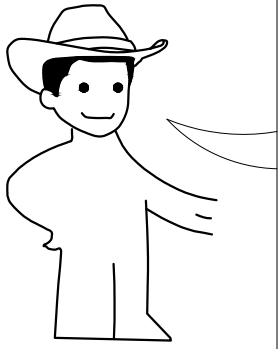
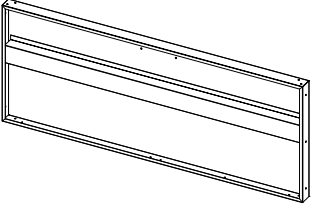
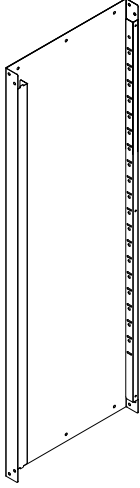
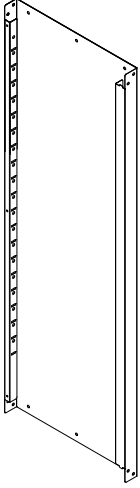
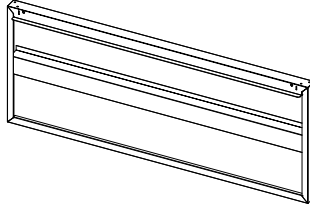
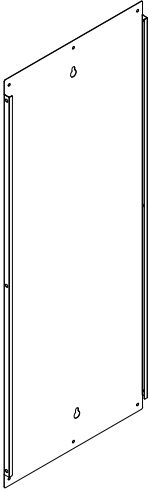
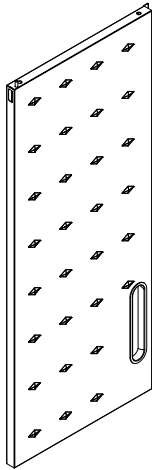
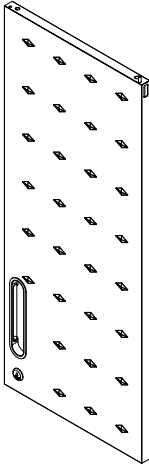
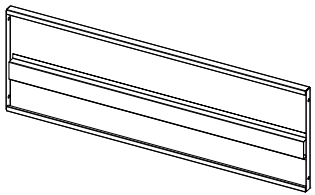

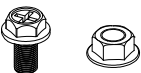
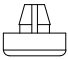


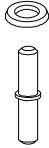
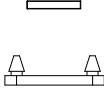

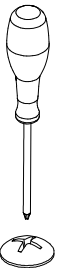

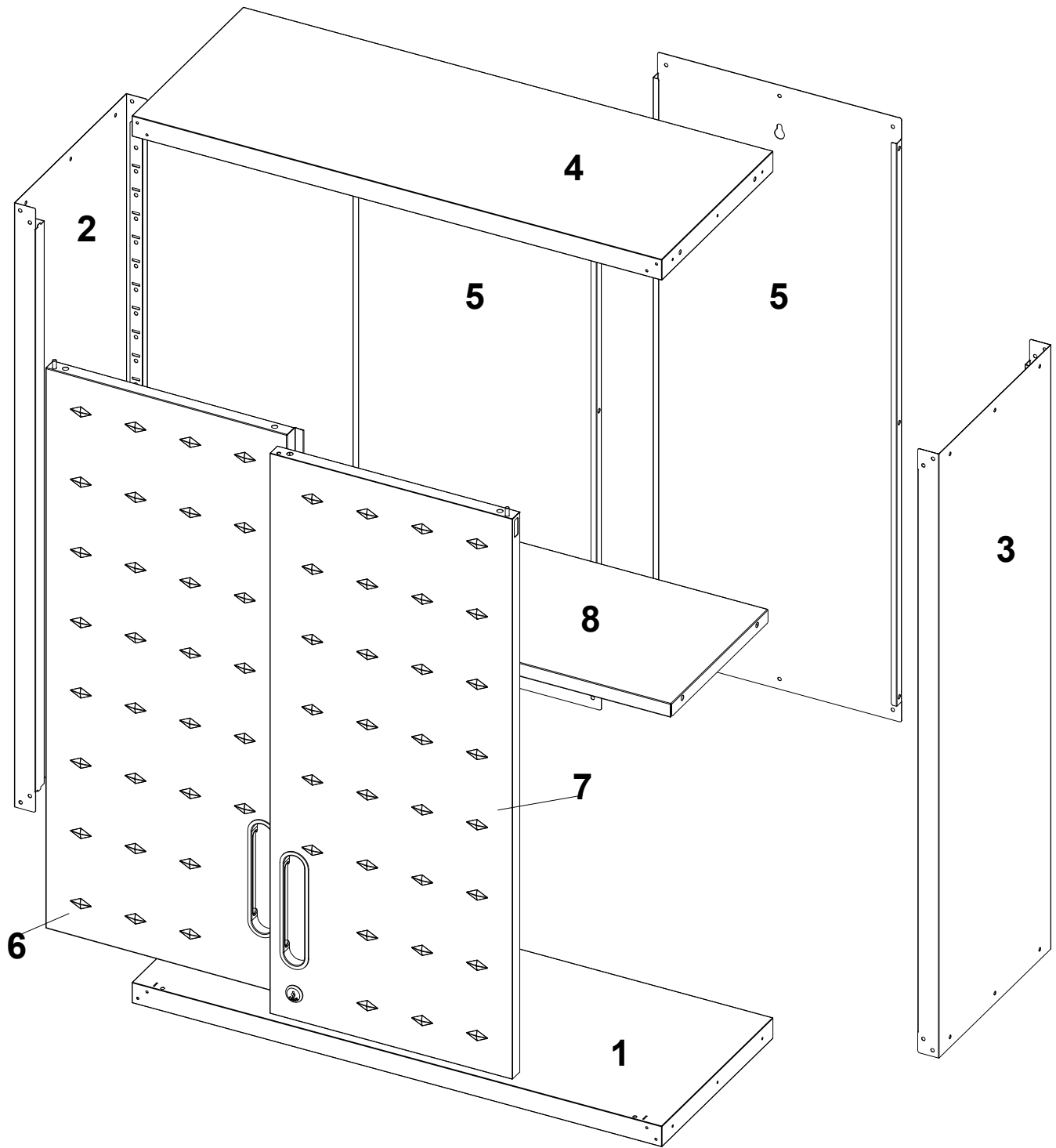


INSTALLATION & ASSEMBLY

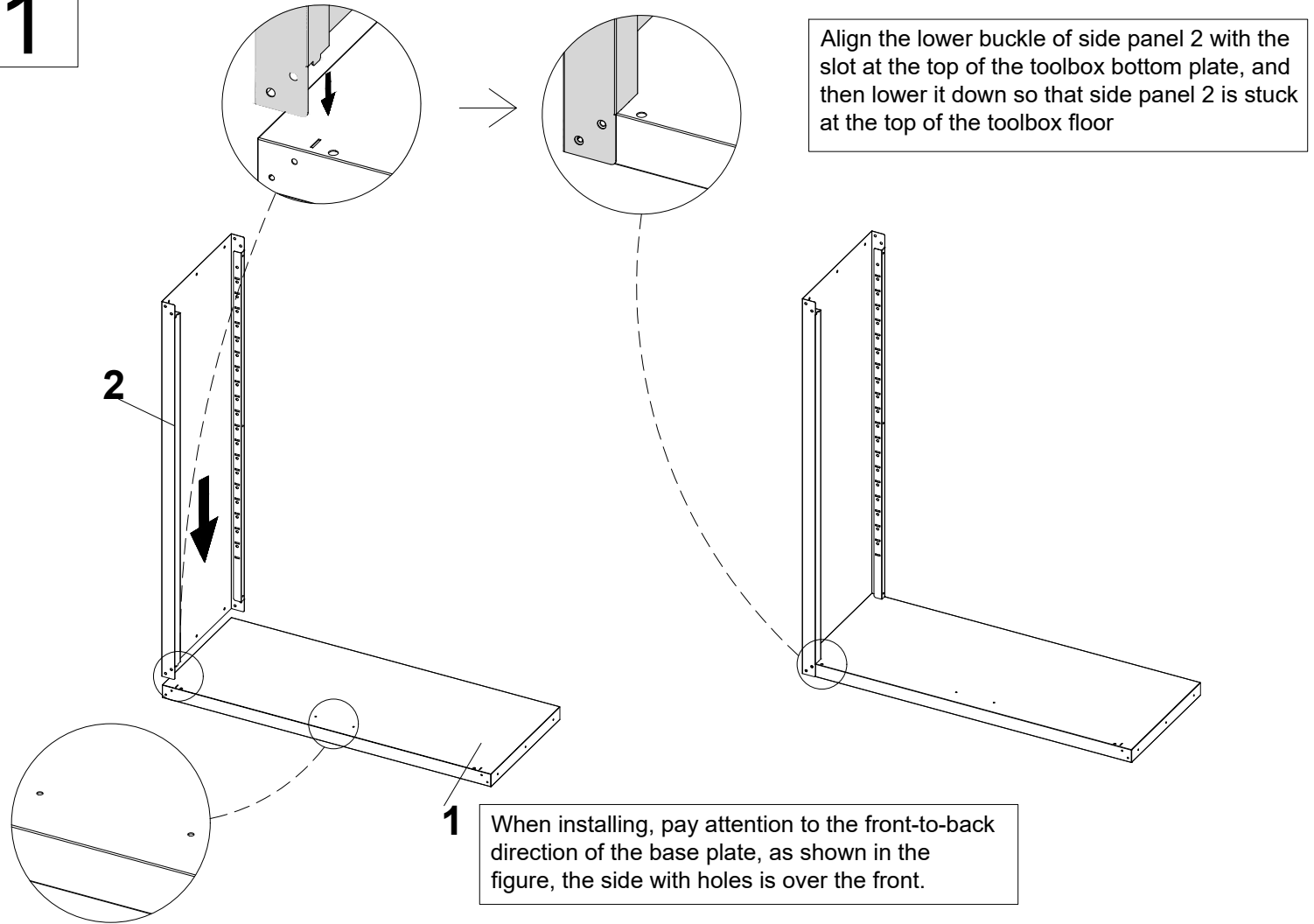




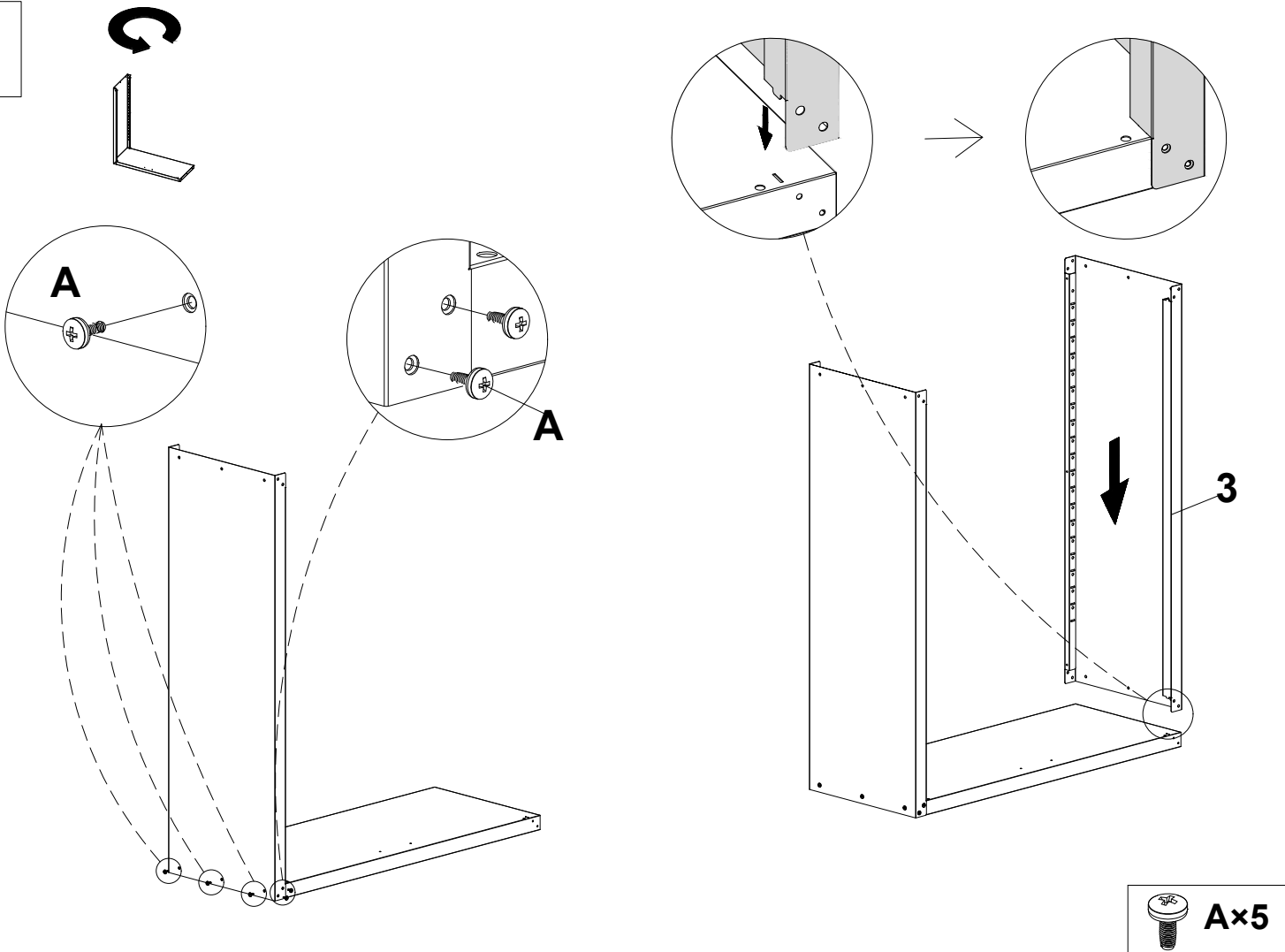
1x1		2x1		3x1		4x1	
							
5x2		6x1		7x1		8x1	
							
Ax48	Cx3	Fx4pcs	Qx4	Sx1	Rx2	Ux4	Vx4
 M4x 8mm 0.3inch							 M8 M5 M5x40 mm
							



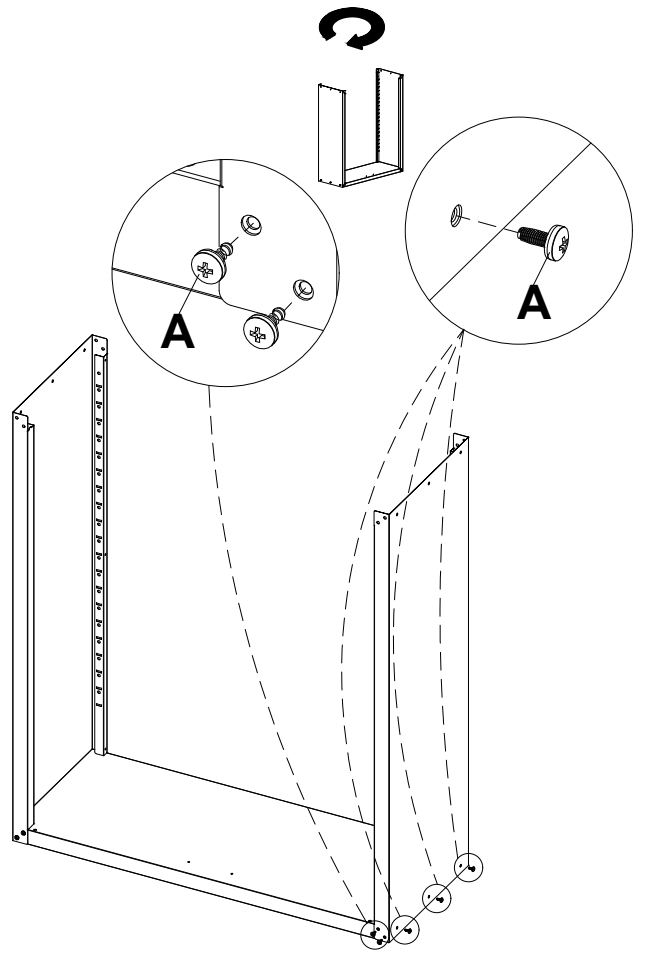
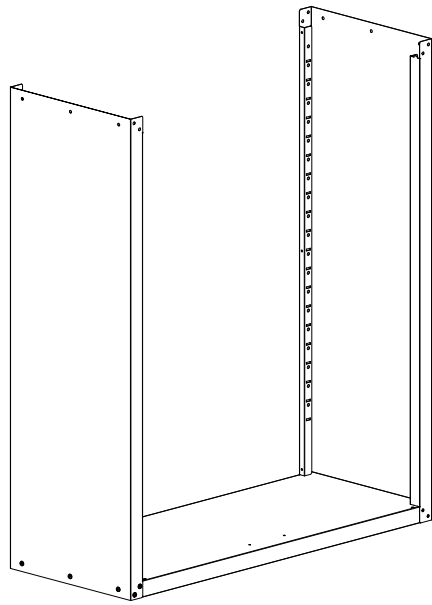
1



2

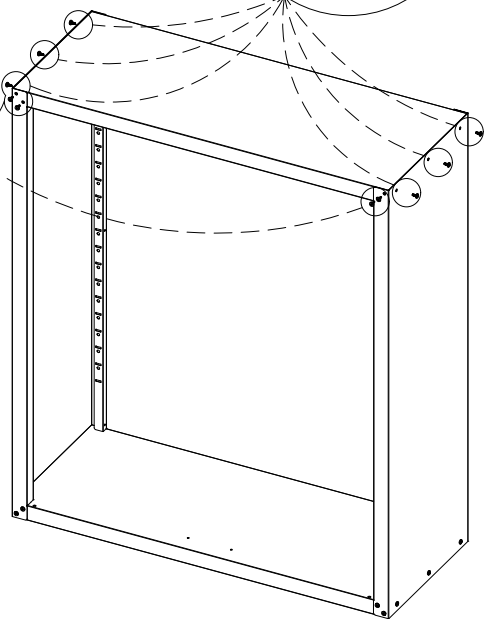
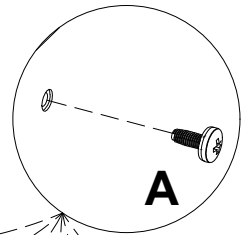
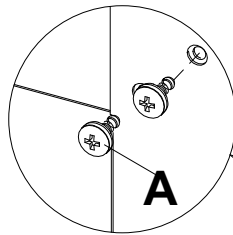
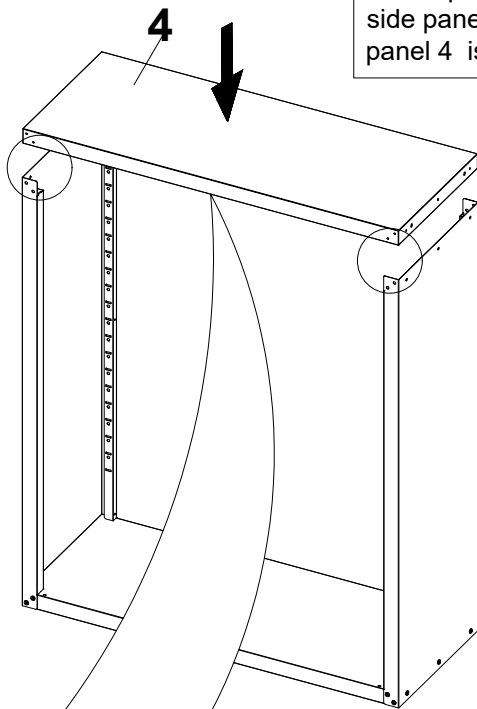


3



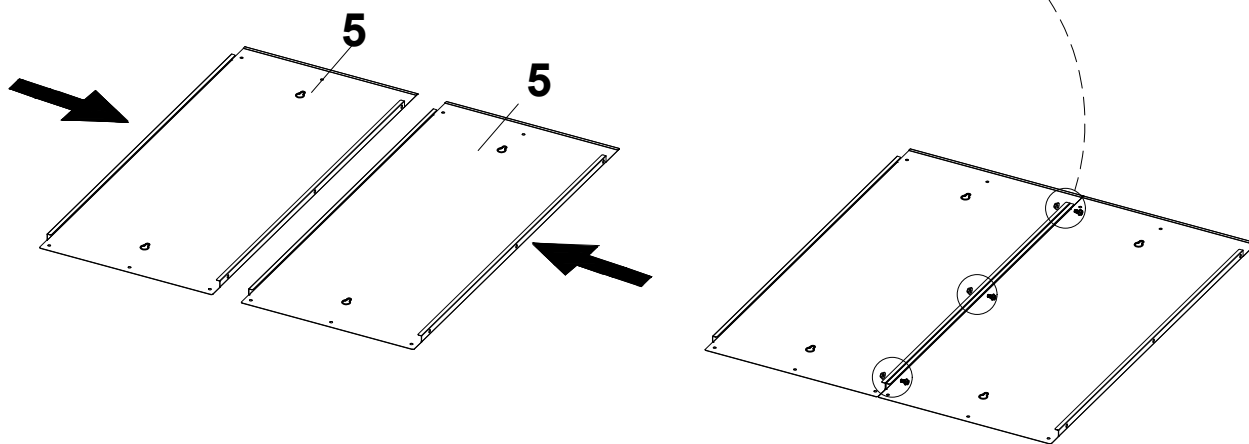
4

Align the card slots on both sides of the lower end of panel 4 with the buckles on the top of side panels 2 and 3, then lower it down so that panel 4 is stuck on the top of the toolbox



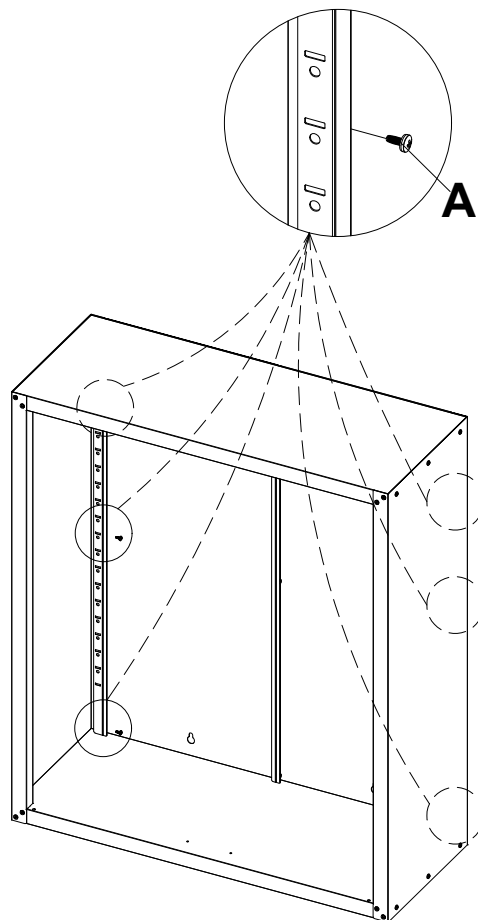
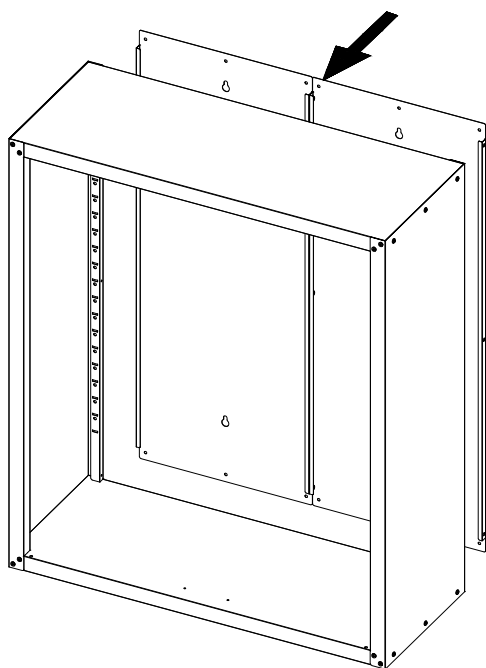
5

put three bolts and nuts to hold them in place



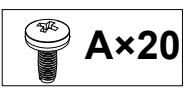
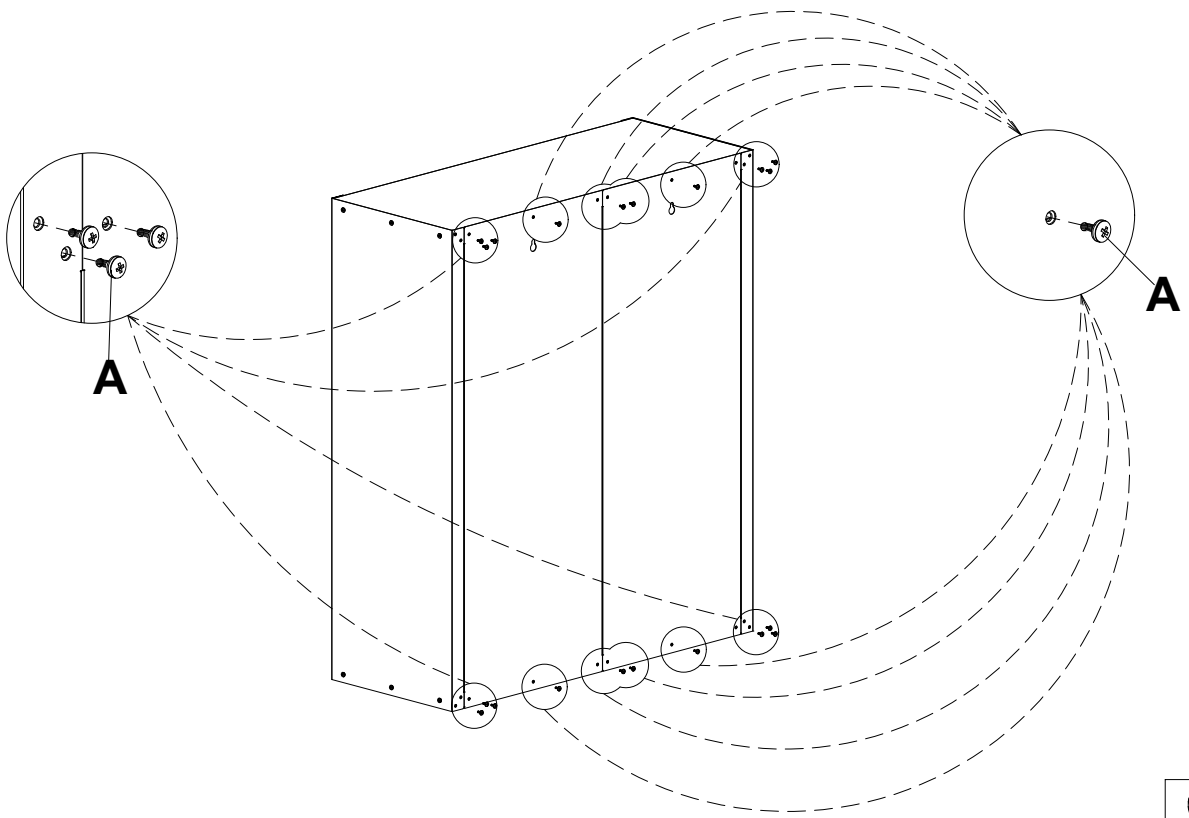
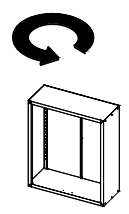
 Cx3

6

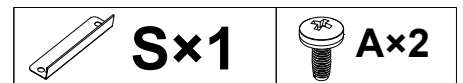
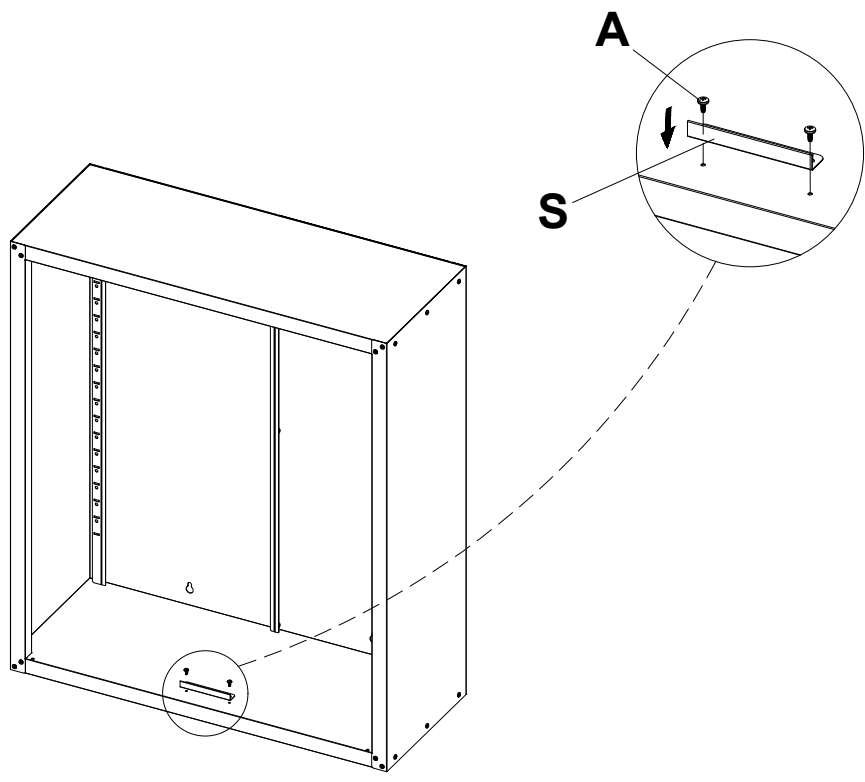


 Ax6

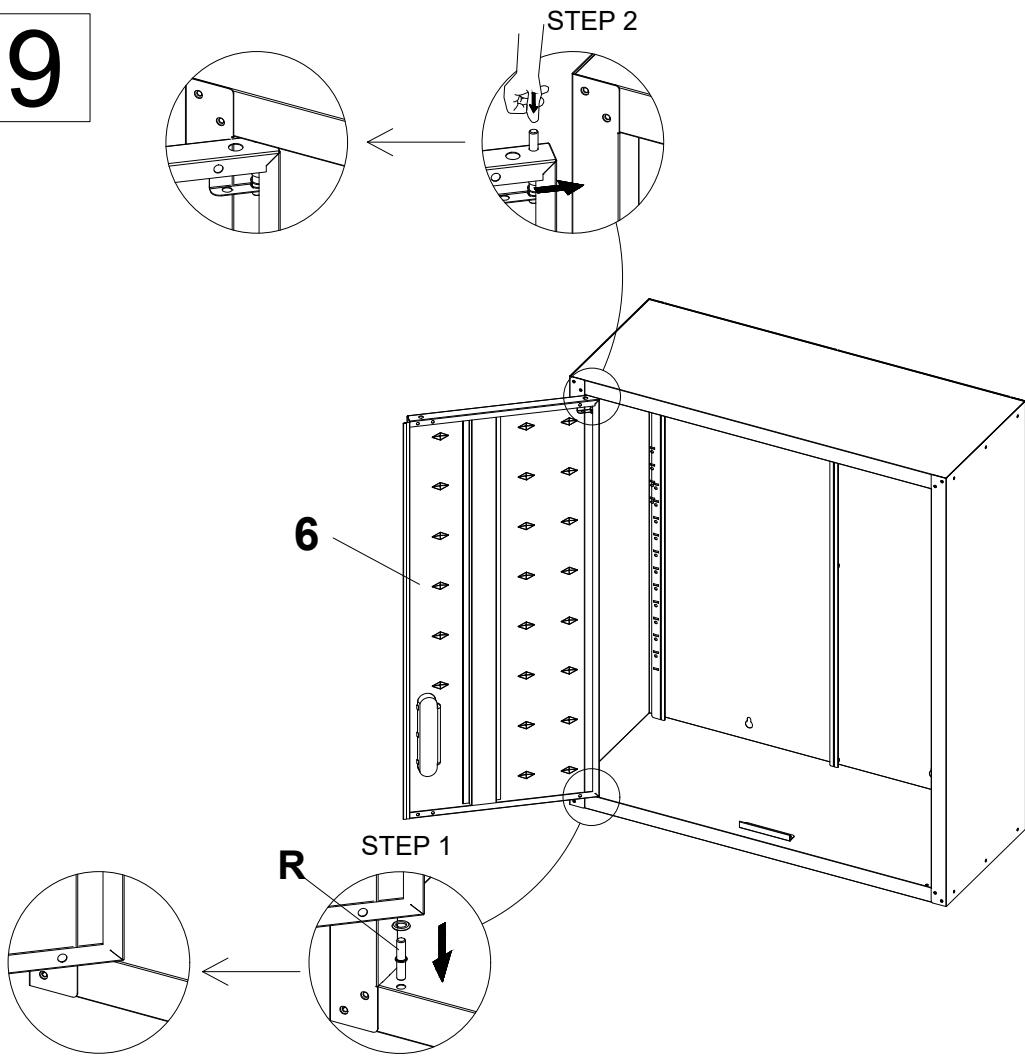
7



8

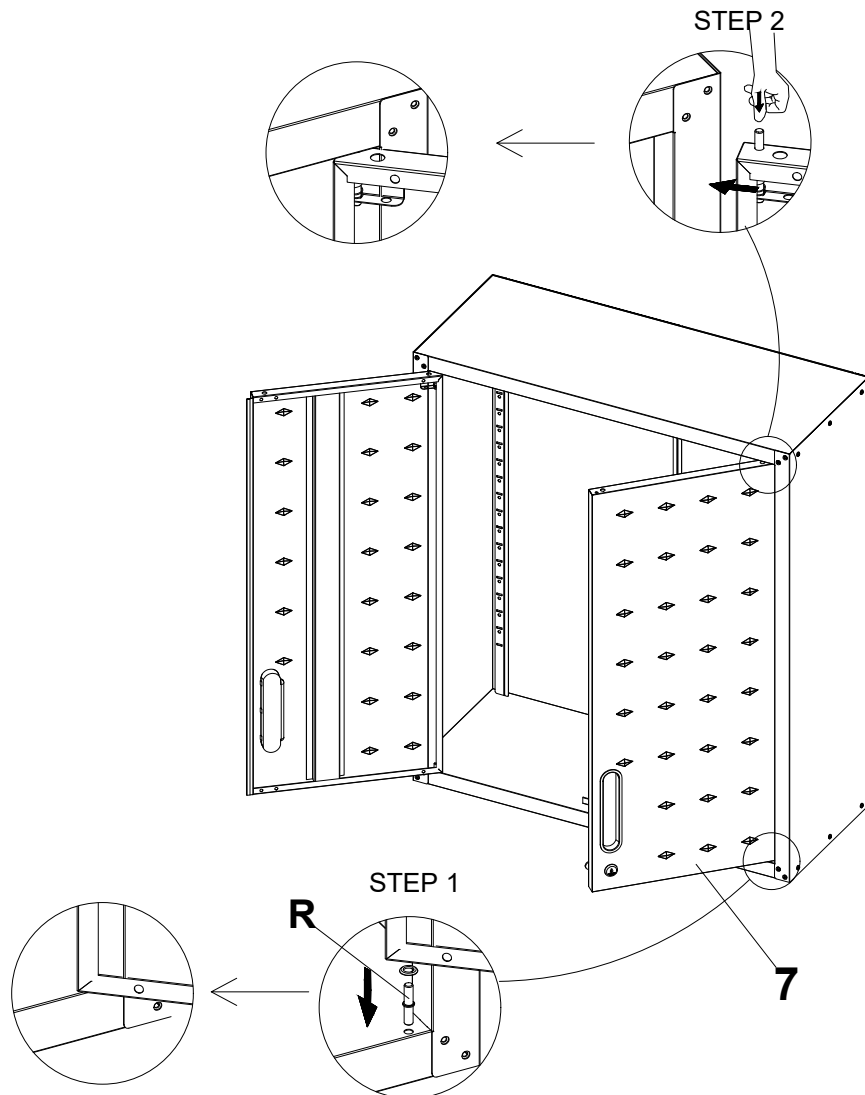


9



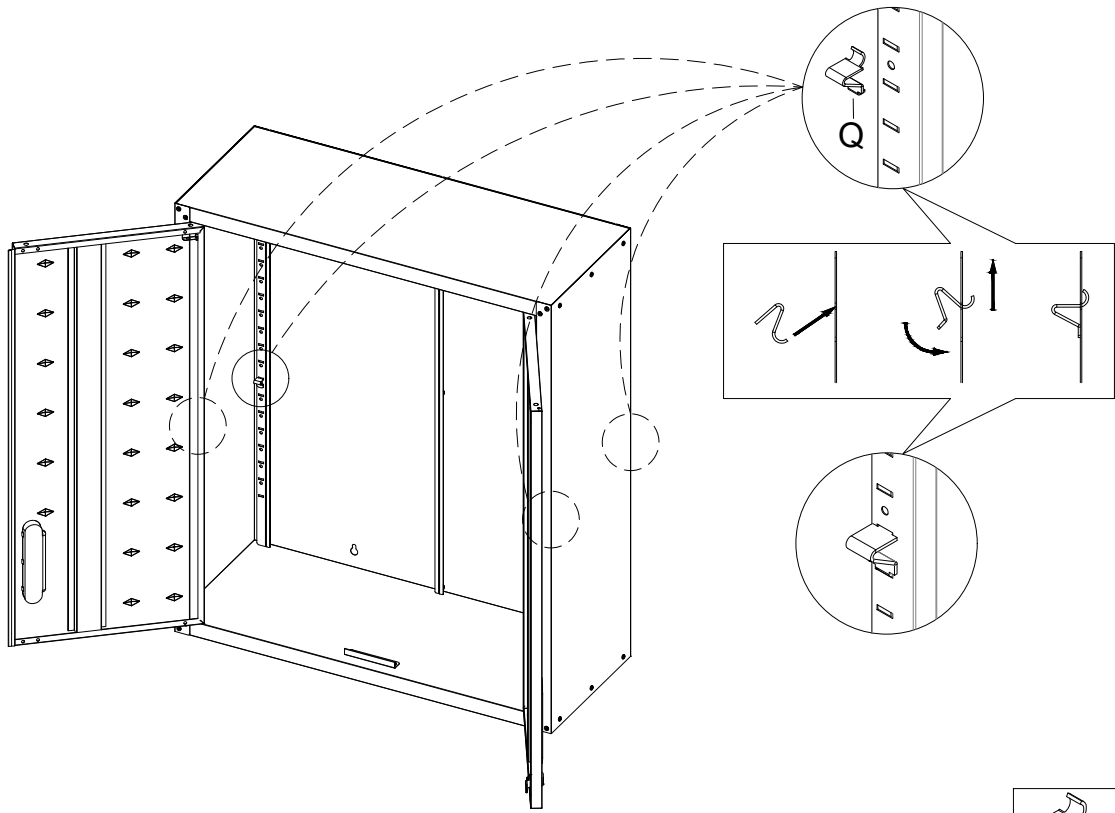
R×1

10



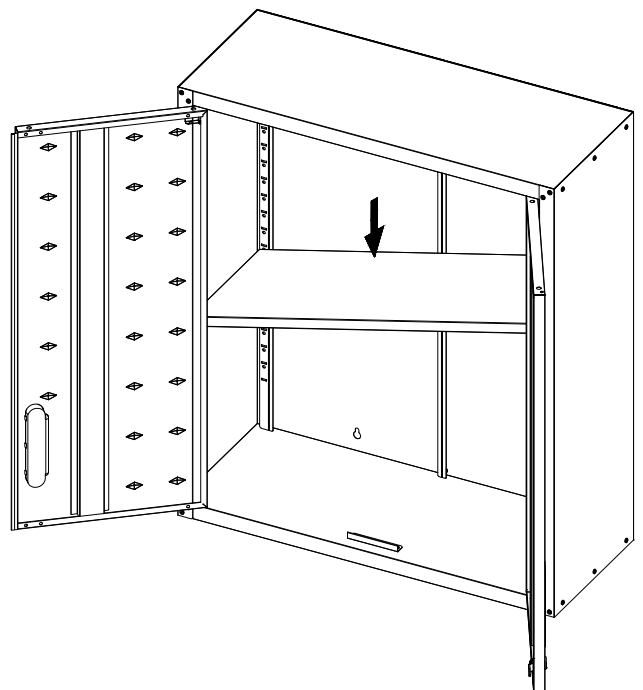
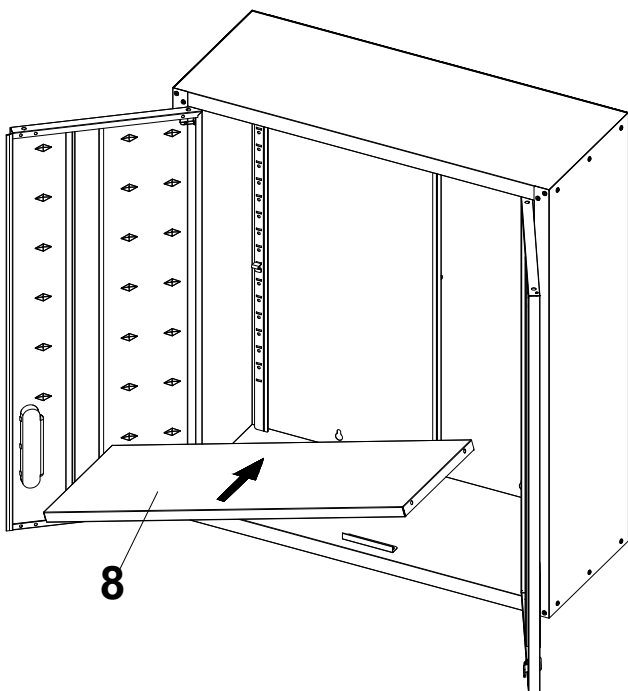
R×1

11

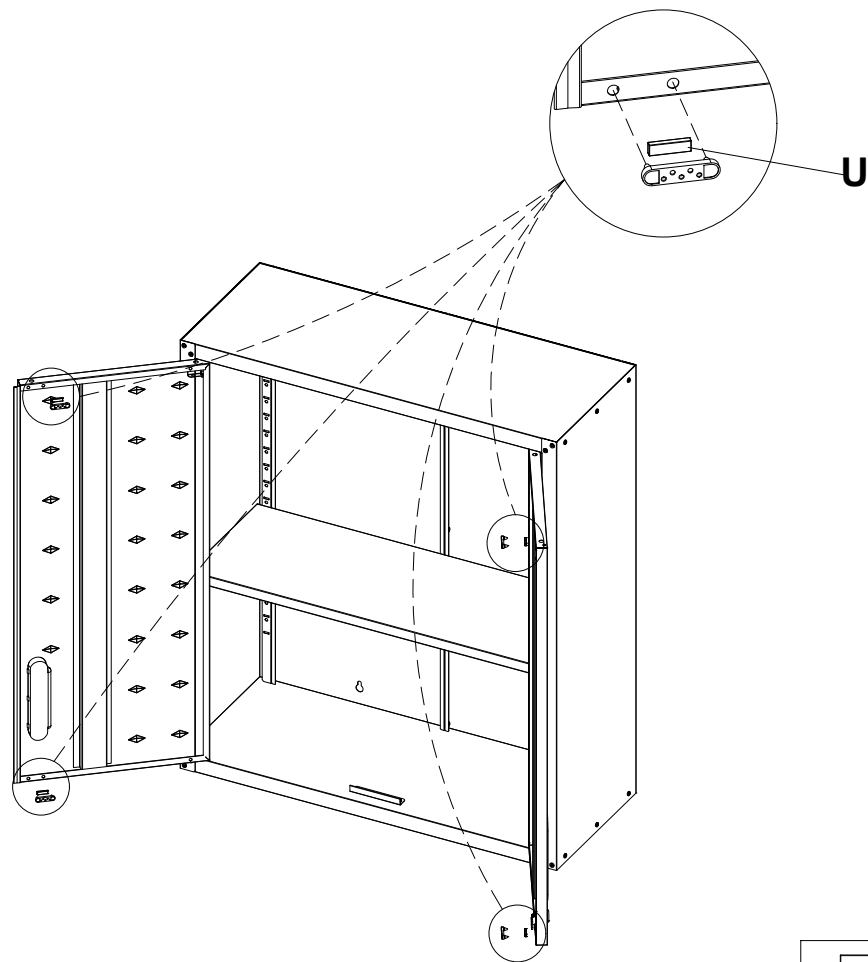


 Qx4

12

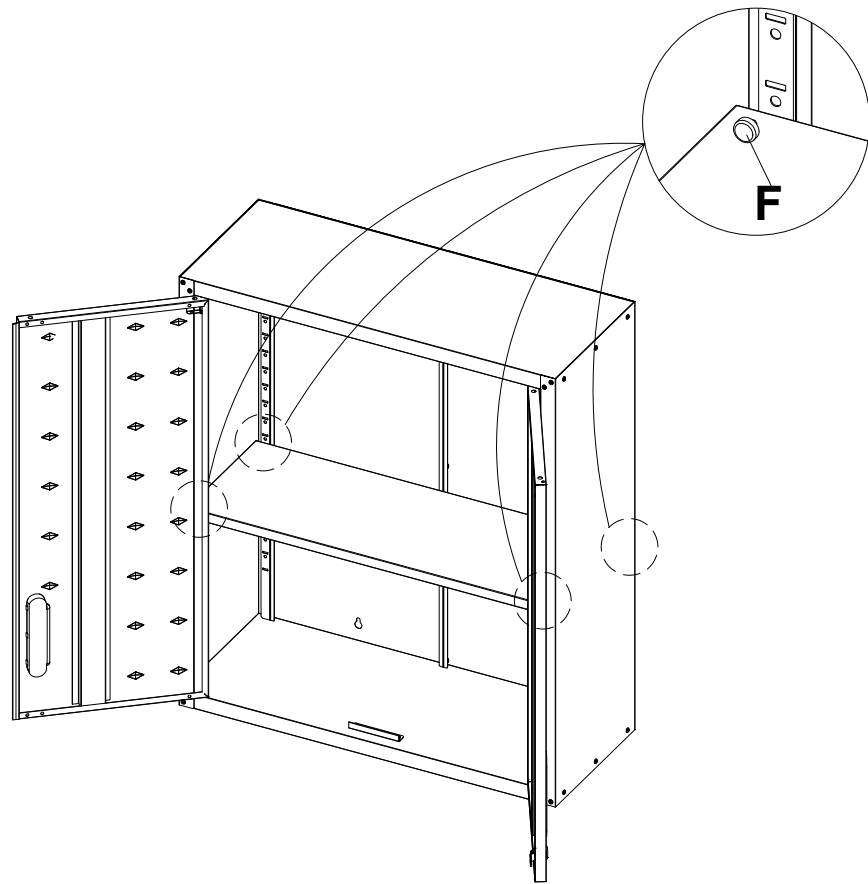


13



 **U×4**

14



 **F×4**

15

