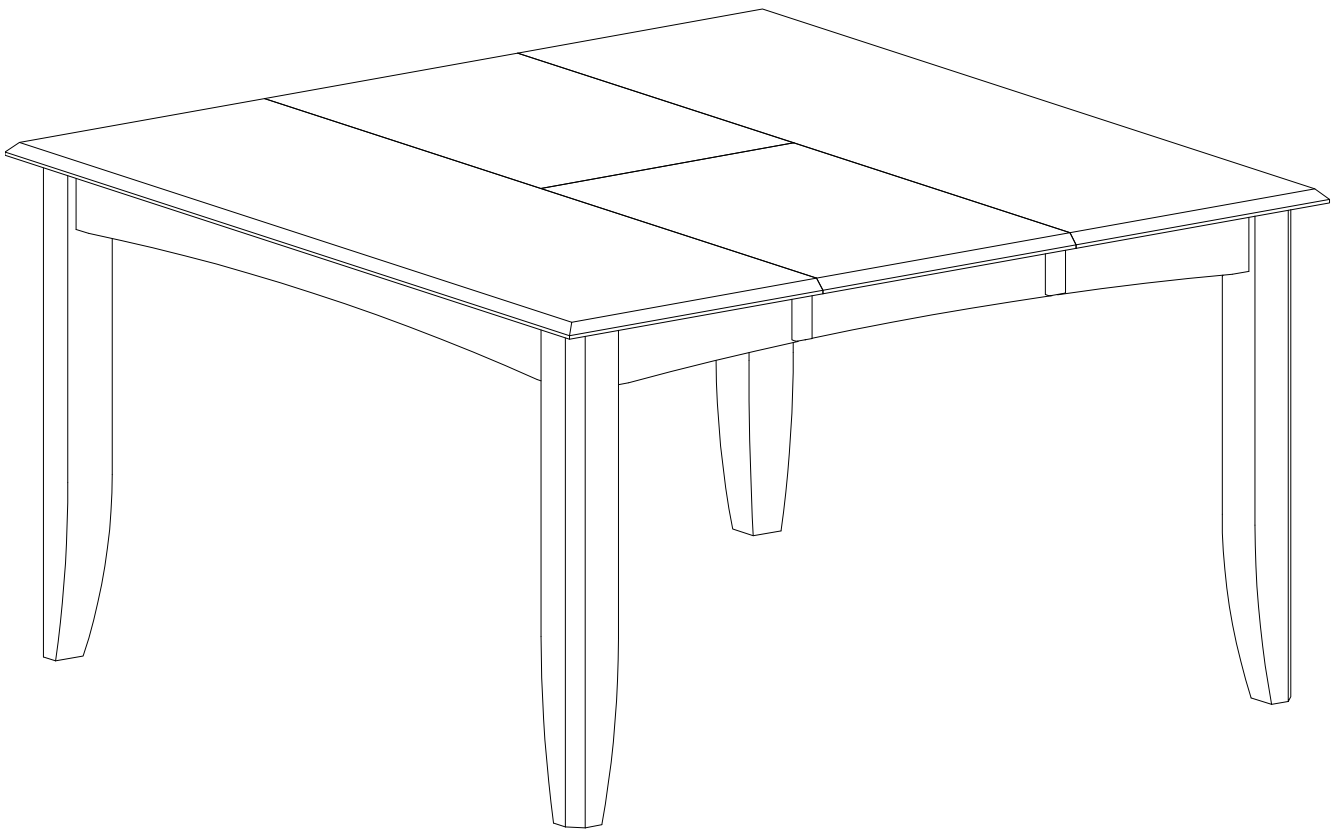


# ASSEMBLY INSTRUCTIONS



Description : SQUARE DINING TABLE 54"x54"x30" WITH 18" BUTTERFLY LEAF :

Dimension 54"Wx36"/54"Dx30"H

Cube size : 56.2"x38"x6.4"

(Top)

NW : 83.6 LBS

GW : 92.4 LBS

Cube Size : 30.6"x13.7"x3.7"

(Legs)

NW : 26.4 LBS

GW : 28.6 LBS

SQUARE DINING TABLE 54"x54"x30" WITH 18" BUTTERFLY LEAF

## BEFORE ASSEMBLY

Thank you for purchasing this Whitewood Industries Inc.'s quality product. This product has been designed for easy assembly and constructed for durability. Please take the time to read and follow the assembly instructions carefully.

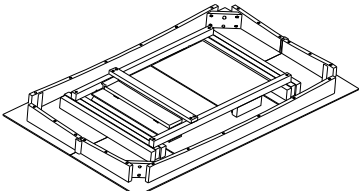
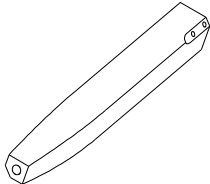
Be sure to check all packing material carefully for small parts, which may have come loose inside the carton during shipment. Please separate, identify, and count all parts and metal hardware. Compare with part list to be sure all parts are present. If hardware is missing or you have difficulty assembling this product, please call for us.

### IMPORTANT NOTE:

- Place all wooden parts on a clean and smooth surface such as a rug or carpet to avoid the parts from being scratched.
- Remove all wrapping material, including staples & packing straps before you start to assemble.
- DO NOT tighten all screws, bolts until all completely assembled.
- Keep all hardware parts out of reach of children



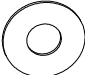
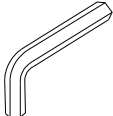
## PART LIST

When unpacking, please carefully not to discard any parts with the packaging. Before continuing, please make sure you have all of the following parts:

NO	Description	Qty	Sketch	NO	Description	Qty	Sketch
A	Top	1		B	Leg	4	

## HARDWARE LIST

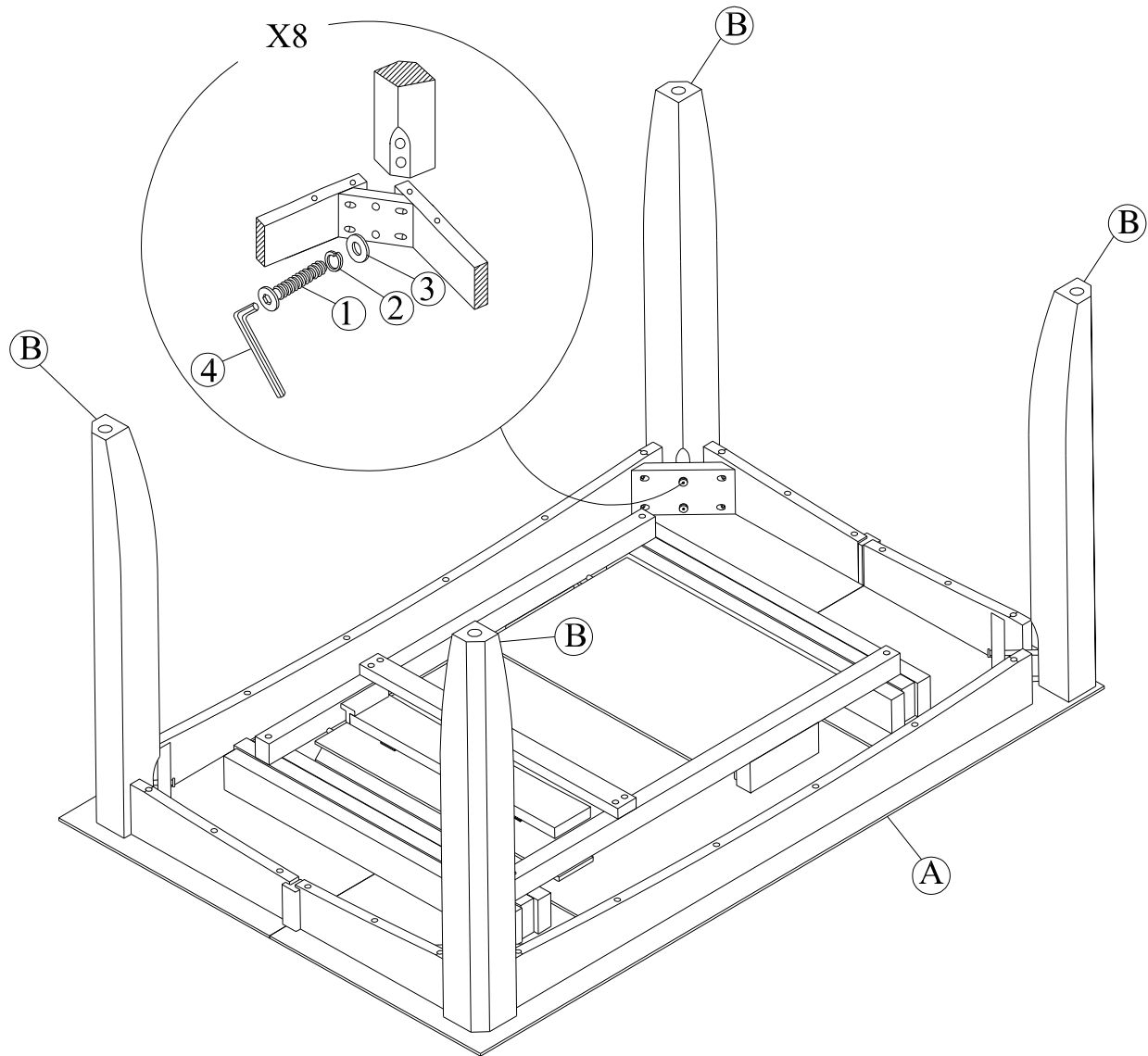
When unpacking, please carefully not to discard any parts with the packaging. Before continuing, please make sure you have all of the following hardware:

NO	Description	Qty	Sketch	NO	Description	Qty	Sketch
1	bolt (M8x70mm)	8		2	Lock washer ( $\Phi 8.5 \times \Phi 13 \text{mm}$ )	8	
3	Flat washer ( $\Phi 8.5 \times \Phi 19 \text{mm}$ )	8		4	Allen key (4mm)	1	

SQUARE DINING TABLE 54"x54"x30" WITH 18" BUTTERFLY LEAF

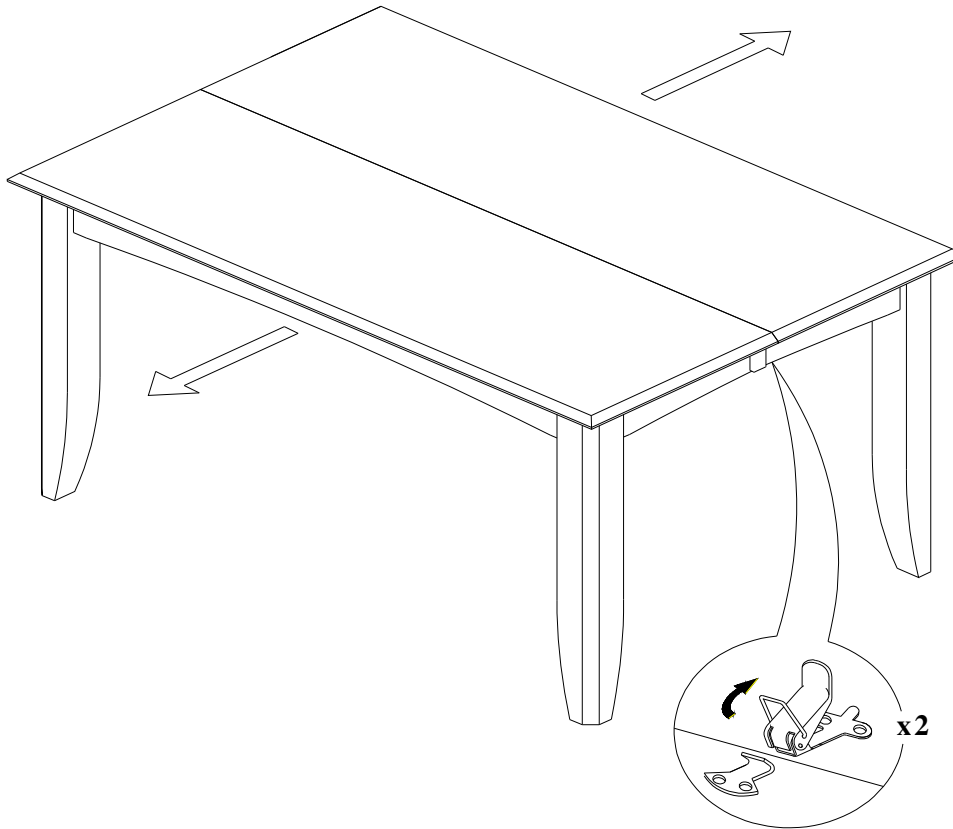
# STEP 1

Place legs (B) in position as shown below. Use bolts (1) and washers (2),(3) to attach legs, tighten with the Allen key (4).



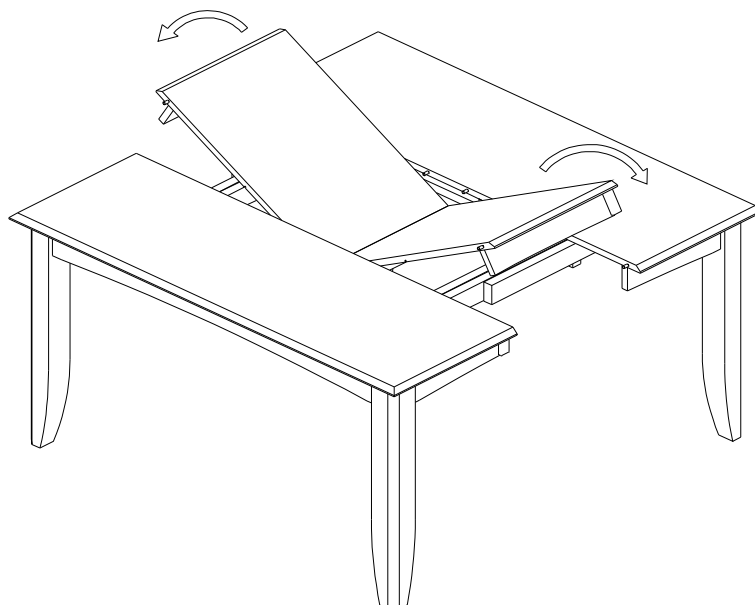
## STEP 2

Unlock the table top underneath, at two sides. And then pull the table top apart.



## STEP 3

Place the leaf in the center of the open table top. Push the table top closed.



SQUARE DINING TABLE 54"x54"x30" WITH 18" BUTTERFLY LEAF

## STEP 4

Lock the mechanism underneath 2 sides of the table top as shown below.

