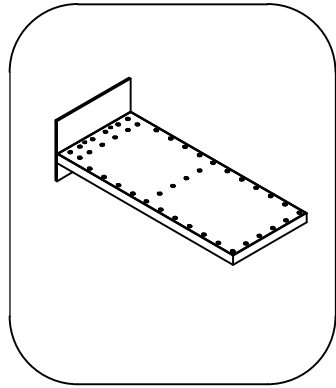


Double Functions Rainfall Shower Head

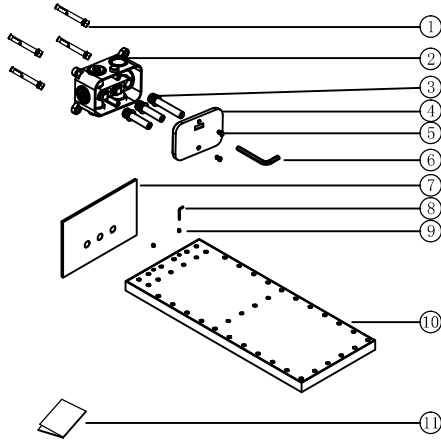


Thank your for using our product.

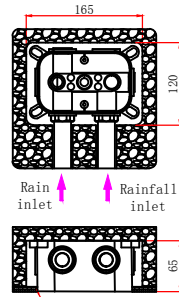
Please read this instruction carefully prior to installing shower head, Please check if all parts are completed as per following parts list, and please contact distributor or seller if any part missing.

Parts list

No.	Name	QTY
1	Expansion screws	4
2	Inwall box	1
3	Water inlet	3
4	Cover	1
5	Screw	2
6	S8 Allen Key	1
7	Flange	1
8	Allen Key 2.5	1
9	M4 screw	2
10	Shower head body	1
11	Installation Instruction	1



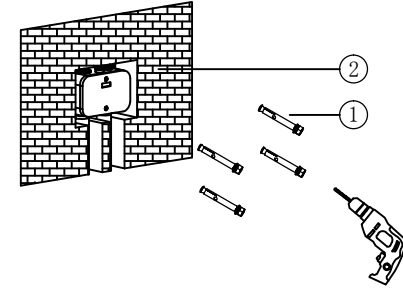
1. Digging wall according to following size, and connect rain and rainfall inlet correctly.



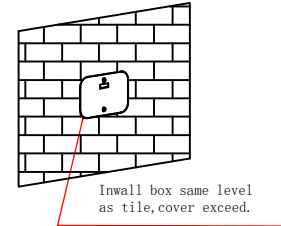
Inwall box same level as tile, cover exceed

Unit:mm

2. Lock Inwall box refer to level meter gurantee horizontal level and test leaking for 24 hours. Do not remove cover when seal wall by cement to prevent cement stick to screws of brass body.

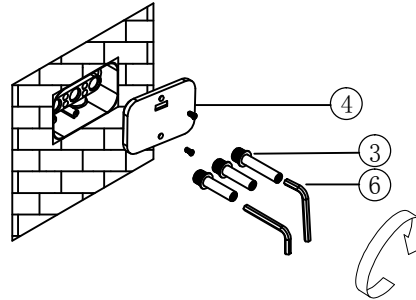


3. Remain inwall box in same level as wall after seal the tile and cover exceed wall.

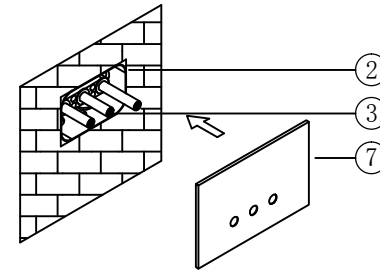


Inwall box same level as tile, cover exceed.

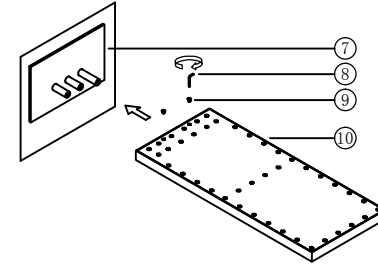
4. Install shower head body. First remove box cover and plug, screw three water inlets into inwall box with S8 Allen Key. Longest role is support.



5. Install flange as picture. **Caution: do setp 4-5-6 to test horizontal and vertical position of shower head before wall seal to avoid any trouble of repair after wall seal.**



6. Push shower head body into according water inlets, and tighten shower body by M4 screw with Allen Key 2.5.



Installation Finish.

Attention: no need to remove screws on backcover of shower head body when installation.

