


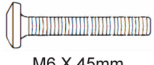

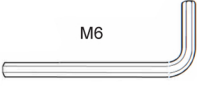


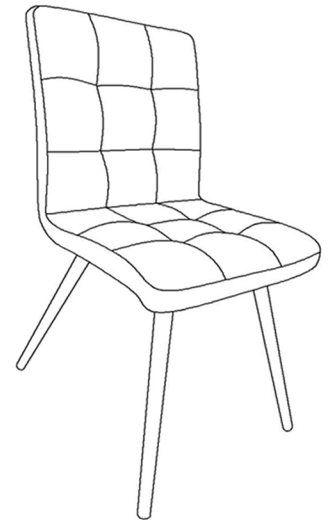
# Chair Assembly Instructions

Your chair comes packaged in one box.

**DO NOT** use any sharp objects to open plastic wrapped components as damage to product or components may result.

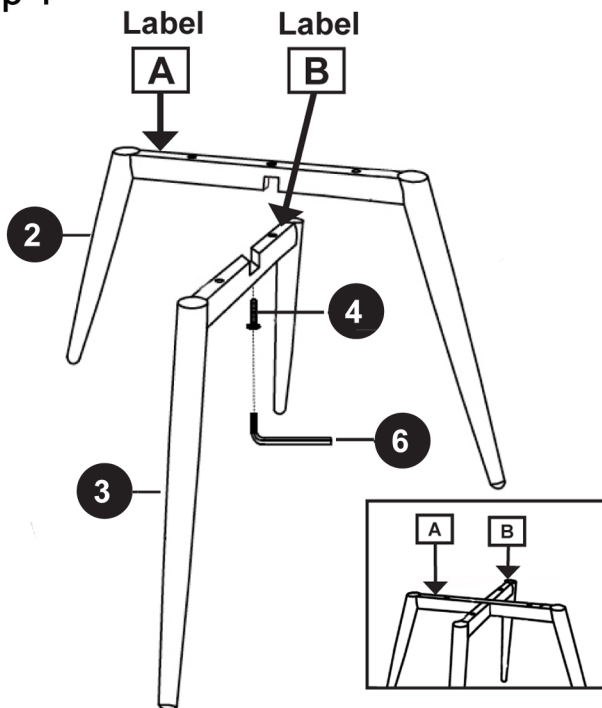
Carefully remove all of the components from the packaging and set aside for assembly. Assemble on a soft surface to prevent scratching the finish.

Parts List		Hardware List	
<b>1</b>	1 Seat 	<b>4</b>	1 Short Bolt  M6 X 30mm
<b>2</b>	1 Leg 	<b>5</b>	4 Long Bolts  M6 X 45mm
<b>3</b>	1 Leg 	<b>6</b>	1 Hex Key  M6



## Assembly

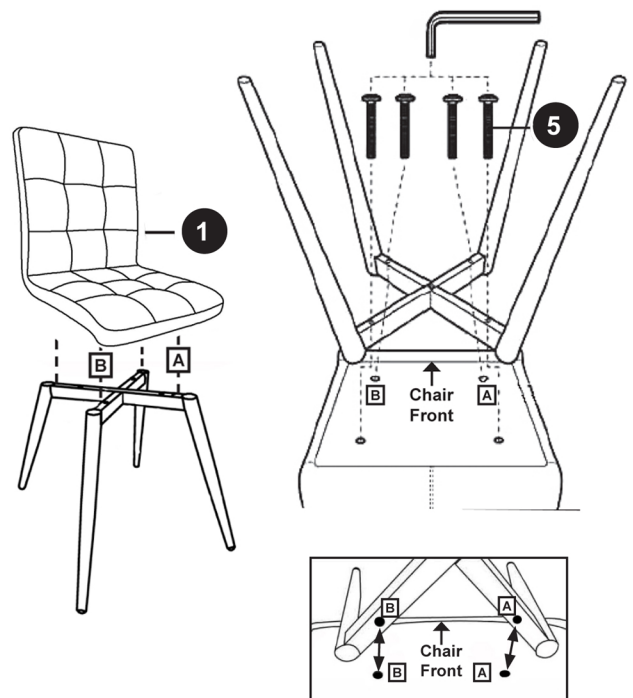
### Step 1



Once connected, make sure **Label A** is on the left and **Label B** is on the right. Attach with short bolt using the hex key.

### Step 2

Pair legs with the bottom of seat. Match label letters and attach with long bolts using the hex key.



Your chair style may differ from images. Care for your furniture by periodically tightening all bolts using the included hex key.

**CAUTION:** Tighten all components securely before use. Failure to do so may result in personal injury.