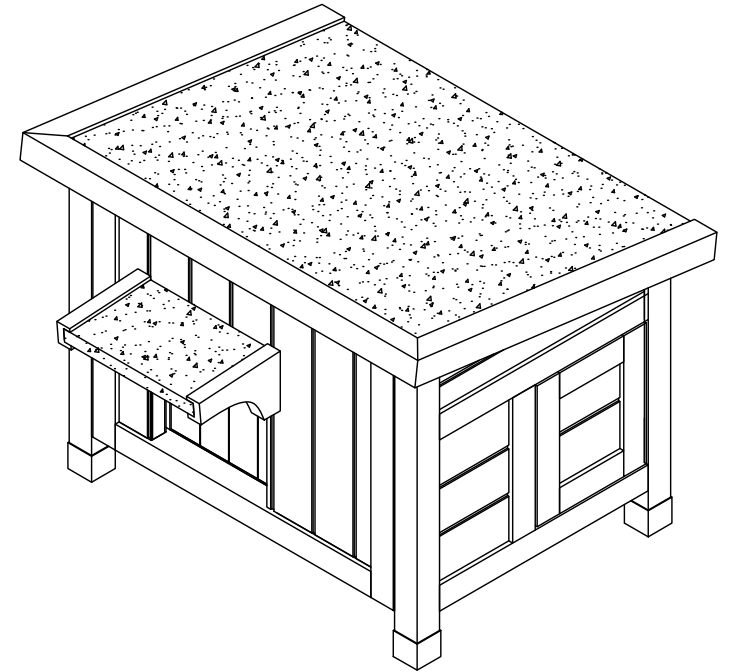


ASSEMBLY INSTRUCTIONS
PLEASE RETAIN THESE INSTRUCTIONS FOR FUTURE USE



TIME: 20-30 minutes



NUMBER OF PEOPLE: 2

Greeting!
So here I am

your new pet house

- ▶ Thanks for letting me be a home for your furry friend(s).
- ▶ They'll be cozy and protected from the weather when they're with me.
- ▶ Just remember to take care of me too, so I can last a long time.
- ▶ When you open the box, you might smell a funny smell. Don't worry, it's not dangerous, just let me ventilate for a few days and the smell will go away.
- ▶ Be careful when you assembling together because some of my parts can be sharp or heavy.
- ▶ Make sure all the screws are tight during installation and double-check that they're all secure before using me.
- ▶ If you notice anything broken or missing, stop using me until it's fixed. and please follow the instructions from my maker so your warranty stays good.
- ▶ You can use me indoors or outdoors, but if you place me outside, please remember to protect me from prolonged exposure to rain.
- ▶ If it's raining heavily, be sure to cover me to ensure my longevity.
- ▶ Remember to place and use me on a flat surface to make sure it's put together correctly and works well.
- ▶ Keep me away from fire and dangerous chemicals.
- ▶ Clean me with a damp, soapy sponge without corrosive agents.
- ▶ Dry me with a soft, clean, dry cloth.
- ▶ Do not cleaning me with high pressure.
- ▶ Do not put bleach, acids, solvents, or abrasive cleaners on me.
- ▶ Check that all my bolts, screws, and knobs are tight every 90 days.



HELP CENTER

- ▶ Your full satisfaction is our **FIRST** priority
- ▶ We hope you enjoy it and have a good shopping experience.
- ▶ We are committed to resolve any issue when the item does not meet your expectations.
- ▶ Please feel free to contact us through order detail page, we will get back to you and solve them within 24 hours.



WARNING:

Manufacturer and seller expressly disclaim any liability for personal injury, property damage or loss, whether direct, indirect, or incidental, resulting from incorrect attachment, improper use, inadequate maintenance or neglect of this.

C M3*18 6PCS

9
Left Back
Front Right

Insert 9 Bottom panel slantly.

STEP 5

C M3*18 4PCS R 1PC

10
Back Right
Left Front

This side is fixed on the roof
This side is fixed on the Right panel

C*2 R C*2

Fix (R) Metal support on 5 Right panel and 10 Roof with screws.

STEP 7

STEP 8

10
Right Front
C*3 C*3
Back Left

Fix 10 Roof on 3 Back panel with screws.

STEP 6

Left Back
Front Right

STEP 8

STEP 8

ASSEMBLY INSTRUCTION




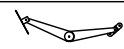
Tool Required: Electric Drill Phillips Screwdriver

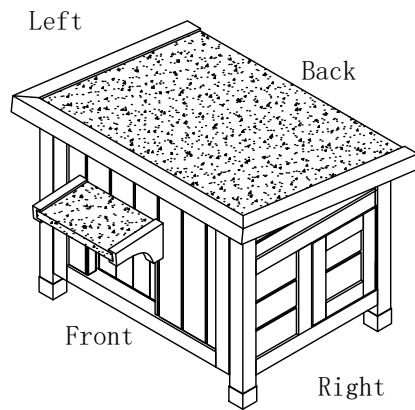
① Front panel	② Door curtain	③ Back panel
④ Left panel	⑤ Right panel	⑥ Small roof
⑦ Left support	⑧ Right support	⑨ Bottom panel
⑩ Roof		

ASSEMBLY INSTRUCTION

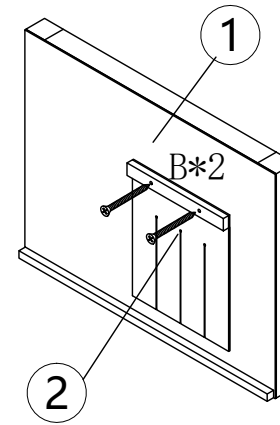
Tool Required:  Electric Drill  Phillips Screwdriver

Parts Description

	A	M3. 5*45	10PCS+1
	B	M3*25	6PCS+1
	C	M3*18	10PCS+1
	R		1PC



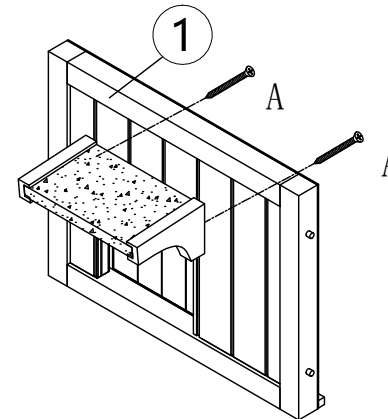
B M3*25 2PCS



Fix ②Door curtain on ①Front panel with screws.

STEP 1

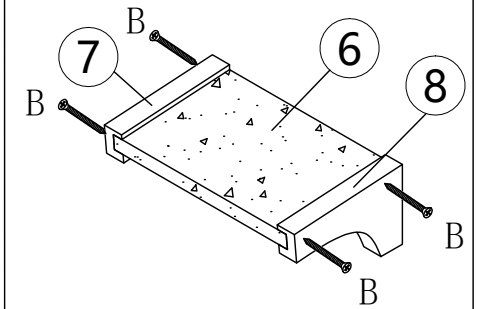
A M3. 5*45 2PCS



Fix the part of assembled Step 2 on ① Front panel with screws.

STEP 3

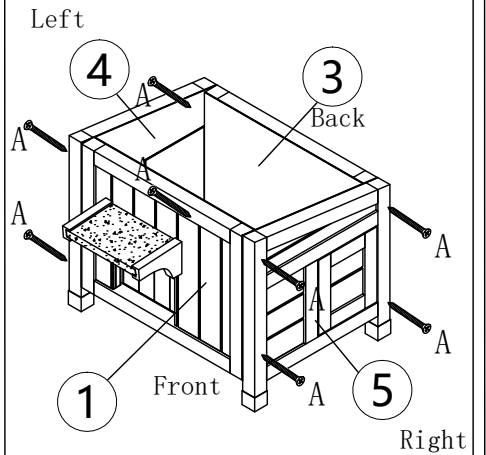
B M3*25 4PCS



Fix ⑥Small roof, ⑦Left support, ⑧Right support with screws.

STEP 2

A M3. 5*45 8PCS



Fix ①Front panel, ③Back panel, ④Left panel, ⑤Right panel with screws.

STEP 4