

ASSEMBLY INSTRUCTION

ITEM : TABLE

Please read instructions carefully. Remove all wrapping material, staples and packing straps from the carton. Be sure you have all parts before you start assembling. Place all wooden furniture parts on a clean and flat soft surface, such as carpet or rug to prevent from being scratched.

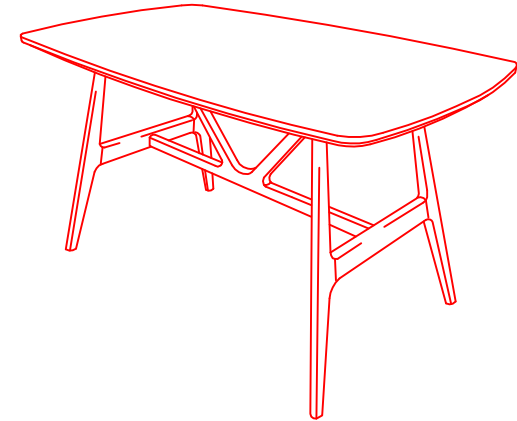
CAUTION : 1)DO NOT FULLY TIGHTEN THE NUTS OR SCREWS INITIALLY UNTILL ALL THE NUTS AND SCREWS ARE ASSEMBLED. TO AVOID CAUSING DAMAGE TO THE TREAD, DO NOT OVER-TIGHTEN THE NUTS OR SCREWS.
2)SCREWS ARE ASSEMBLED. TO AVOID CAUSING DAMAGE TO THE TREAD, DO NOT OVER-TIGHTEN THE NUTS OR SCREWS.
3)KEEP ALL HARDWARE PARTS OUT OF RECH OF CHILDREN.

PARTS LIST

NO	DESCRIPTION	QTY
A	TABLE TOP	1
B	CENTER SUPPORT	1
C	LEG FRAME	2

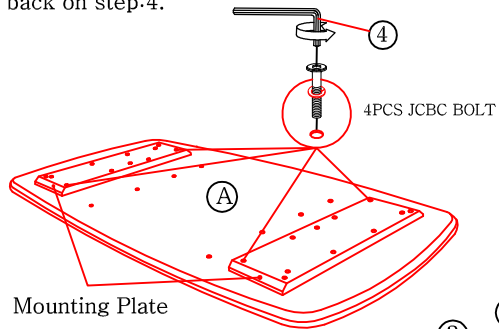
HARDWARE LIST

NO	DESCRIPTION	QTY
1	JCBC BOLT M6 x 35mm	18
2	JCBC BOLT M6 x 45mm	2
3	SPRING WASHER M6	20
4	ALLEN KEY WITH BALL M4 x 110mm	1

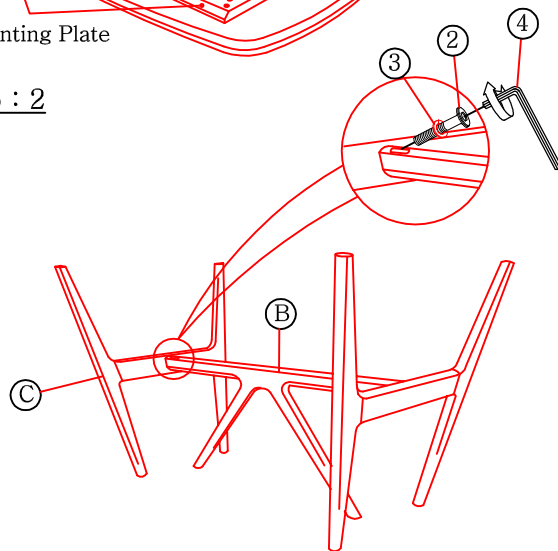


Step : 1

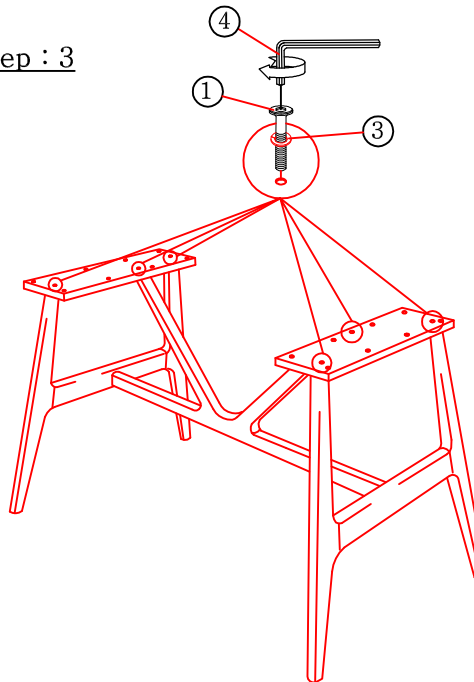
Remove the mounting plate from table top (A). As shown. Retain hardware to attach mounting plate back on step:4.



Step : 2



Step : 3



Step : 4

