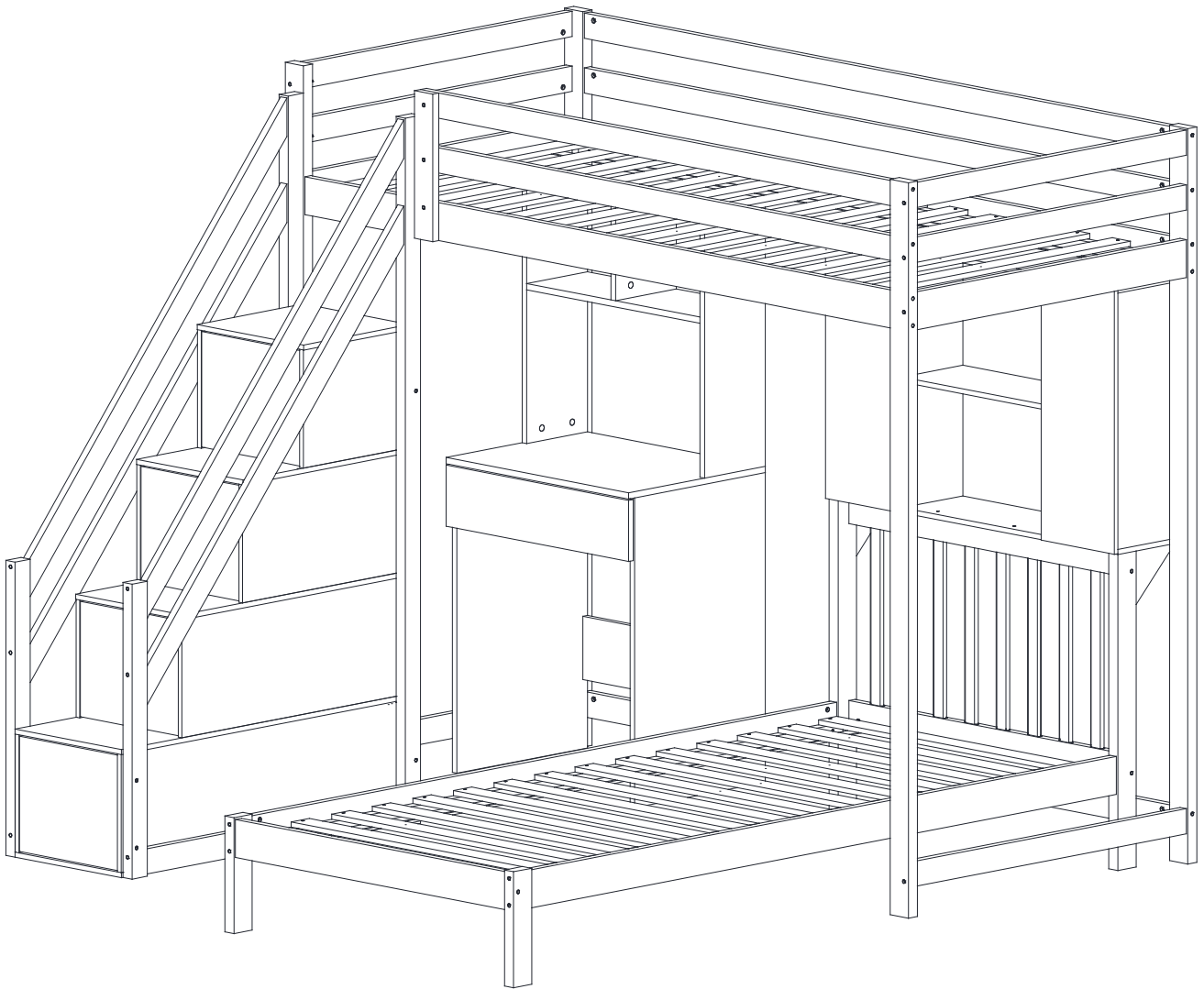


INSTALLATION INSTRUCTIONS

Children's Bed

N606P182209W/N606P182210W/N606P182211W/N606P182212W



INSTALLATION INSTRUCTIONS

IMPORTANT! KEEP FOR LATER REFERENCE: READ CAREFULLY!

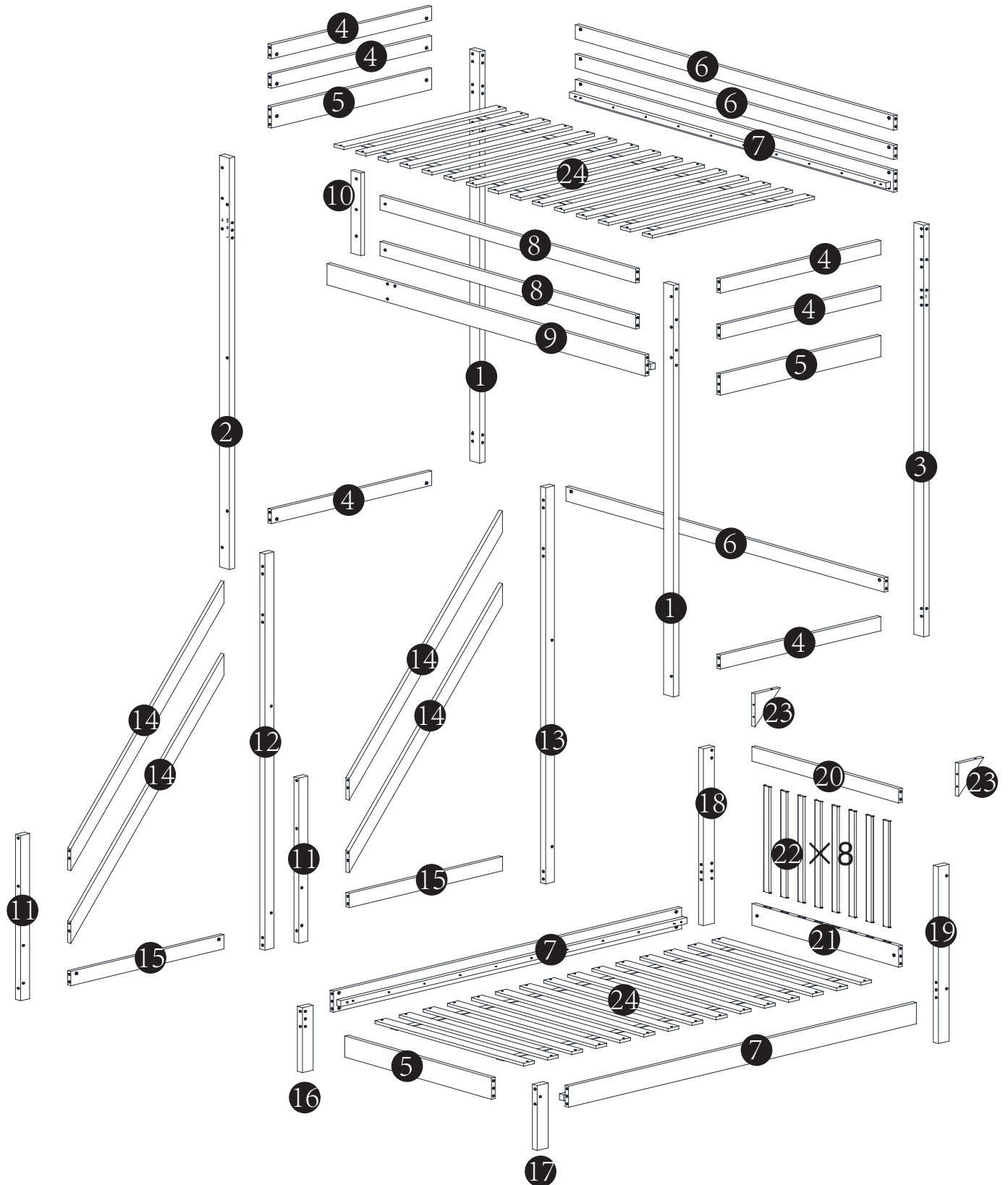
- Assemble by an adult. Correct assembly must be grasped by an adult before use
 - Attention! Put screws and small places out of the child's range
 - Identify all places before starting installation
 - Do not use your item if one of your items is damaged or missing .
 - Call your customer service in case of problems
 - Always follow the manufacturer's instructions
 - Maintenance: Clean with a dry cloth. If there are coarse stains, carefully moisten with a lech and rub with a non-abrasive sponge
 - Do not jump on the bed
-

IMPORTANT CARE READ TRACK REFERENCE RETENTION

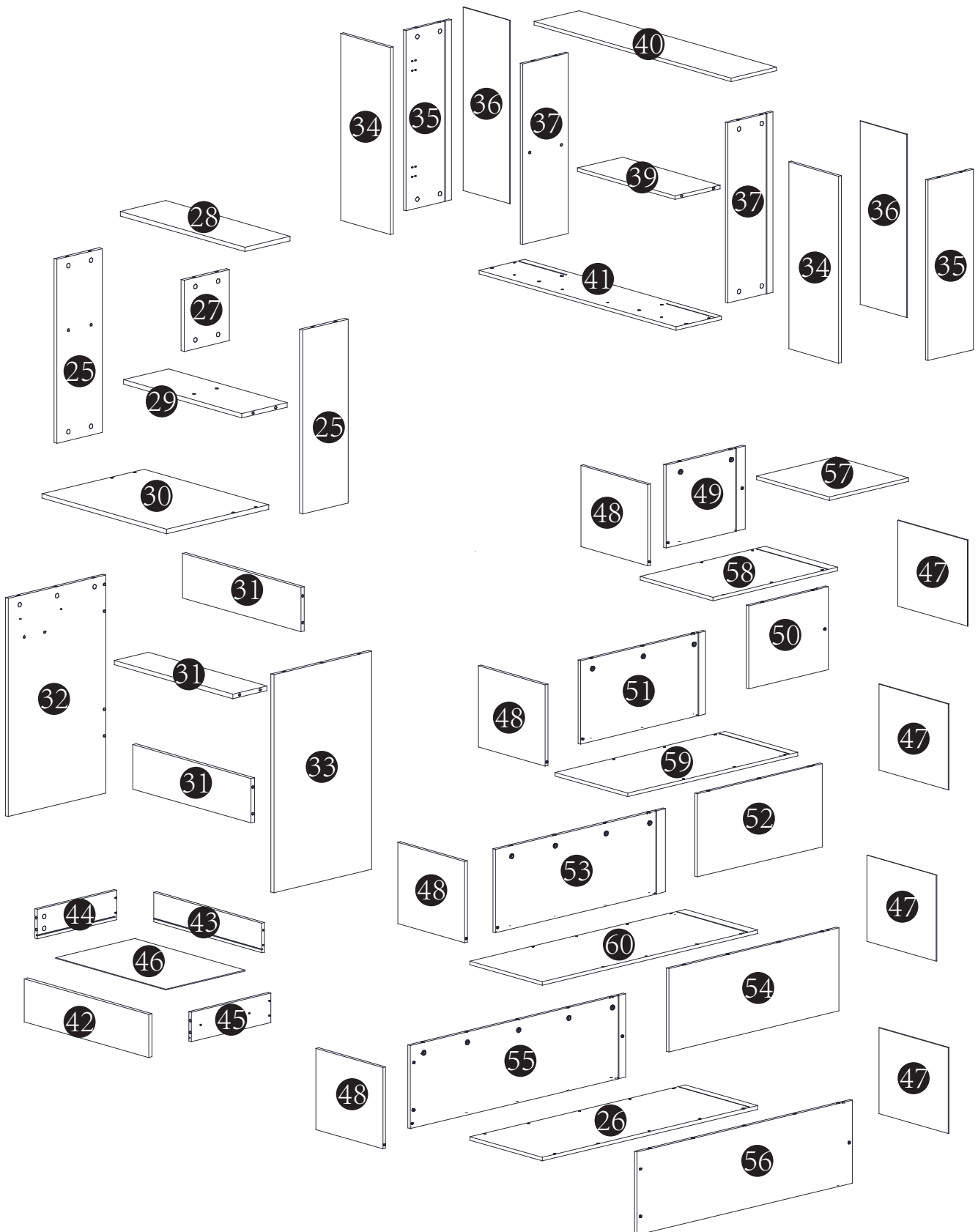
EN 747-1&2:2012+A1:2015

- WARNING: Bunk beds and upper bunk beds are not suitable for children under six years of age due to the risk of injury caused by falls
- WARNING: If used improperly, bunk beds and high beds may be seriously threatened by strangulation. On bunk beds Do not attach or hang any object that is not intended to be used with the bed concerned. Such objects include, inter alia, ropes, threads, ribbons, hooks, belts or bags.
- WARNING: Children may be trapped between the bed and walls, roof rafters, ceilings, adjacent furniture (e.g. shelters) or other objects. To prevent serious injury, the distance between the upper anti-fall device and the surrounding elements should not exceed 75 mm or be more than 230 mm thick.
- WARNING: Do not use bunk beds or high beds. If the structure is missing or defective
- Always pay attention to the manufacturer's requirements
- The room must be well ventilated to reduce humidity and prevent mold in and around the bed
- All fixing elements must always be tightened in an orderly manner and regularly checked and, if necessary, followed.
- Recommended mattress thickness: 190x90 cm
- Maximum thickness of the mattress: 130mm
- The markings on the product indicate the maximum thickness of the mattress to be used

INSTALLATION INSTRUCTIONS













INSTALLATION INSTRUCTIONS



















INSTALLATION INSTRUCTIONS

TEILELIST

N606P182209W (Hardware-in dieser SKU)

1		2pcs	8		2pcs
2		1pc	9		1pc
3		1pc	12		1pc
6		3pcs	13		1pc
7		3pcs	14		4pcs



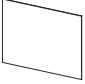

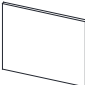


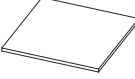


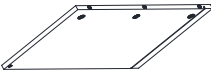




N606P182210W

4		6pcs	20		1pc
5		3pcs	21		1pc
10		1pc	22		8pcs
11		2pcs	23		2pcs
15		2pcs	24		2pcs
16		1pc	35		2pcs
17		1pc	37		2pcs
18		1pc			
19		1pc			

INSTALLATION INSTRUCTIONS

TEILELIST



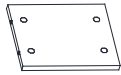
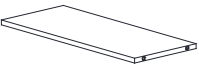


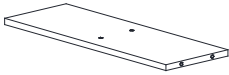

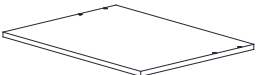








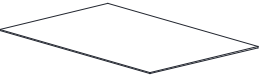
N606P182211W

26		1pc	54		1pc
47		4pcs	55		1pc
48		4pcs	56		1pc
49		1pc	57		1pc
50		1pc	58		1pc
51		1pc	59		1pc
52		1pc	60		1pc
53		1pc			

INSTALLATION INSTRUCTIONS








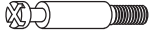


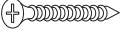






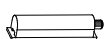
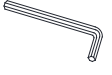


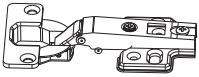

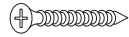
TEILELIST

N606P182212W

25		2pcs	36		2pcs
27		1pc	39		1pc
28		1pc	40		1pc
29		1pc	41		1pc
30		1pc	42		1pc
31		3pcs	43		1pc
32		1pc	44		1pc
33		1pc	45		1pc
34		2pcs	46		1pc

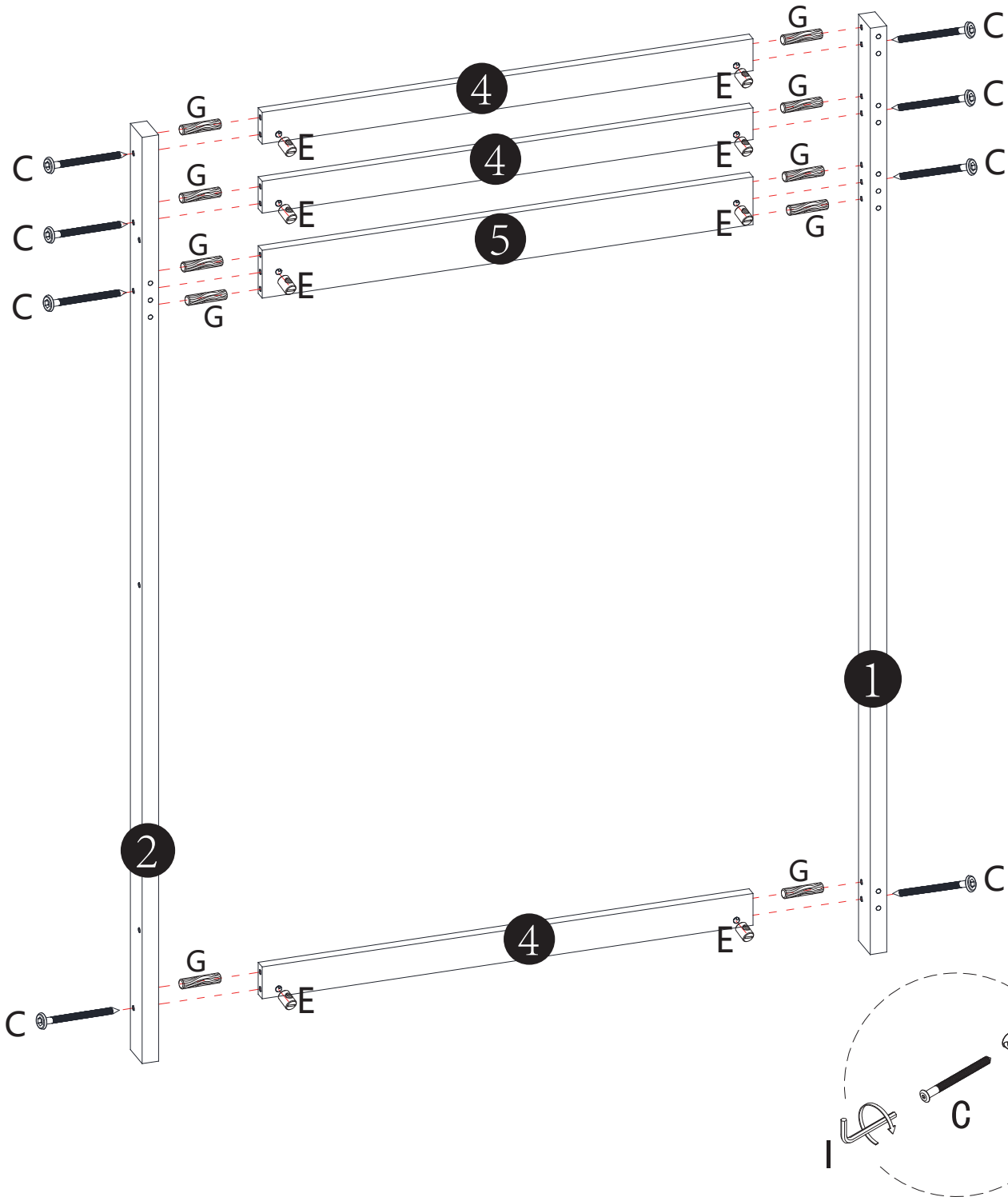
INSTALLATION INSTRUCTIONS





List der Hardware (N606P182209W)

A	M0.6x10 	24PCS	L	M0.8x2 	11PCS
B	M0.6x9 	4PCS	M	Ø0.5x4 	28PCS
C	M0.6x7 	22PCS	N	Ø0.6x9 	8PCS
D	M3 	1PC	P	Ø 0.6x4 	86PCS
E	M1x1.3 	46PCS	Q	Ø1.5x0.95 	86PCS
F	Ø0.4x3 	70PCS	R	Ø0.4x1.2 	40PCS
G	Ø0.8x3 	60PCS	S	Ø0.6x1.9 	8PCS
H	Ø0.7x6 	4PCS	T	  	4PCS
I	M4 	2PCS	V		2PCS
J		1PC	W		4PCS
K	M0.6x3 	11PCS	Y	Ø0.4x5 	2PCS

INSTALLATION INSTRUCTIONS

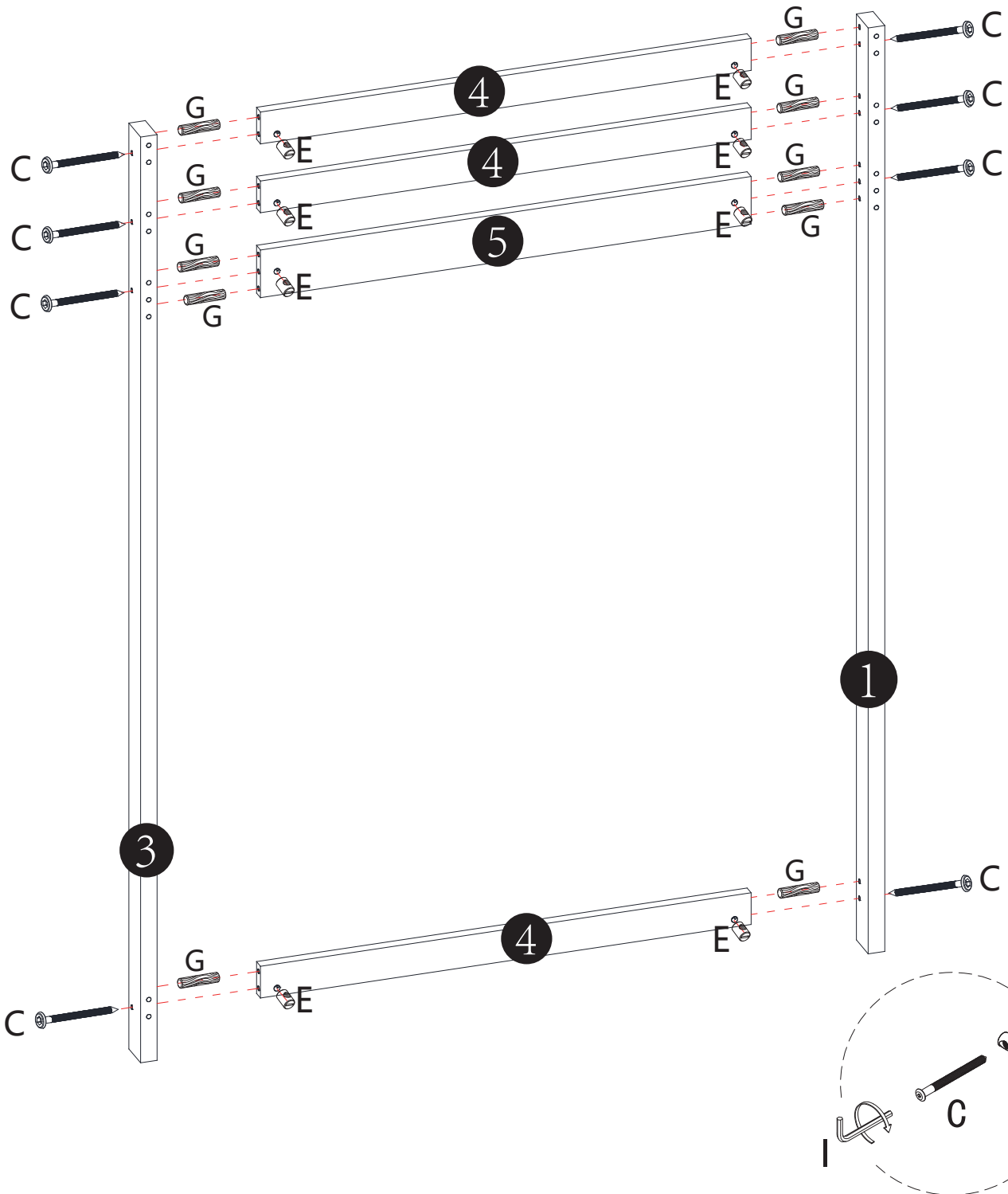
Schritt 1




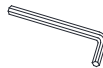


G	Ø0.8x3 	10PCS	E	M1x1.3 	8PCS
C	0.6x7 	8PCS	I	M4 	1PC

INSTALLATION INSTRUCTIONS

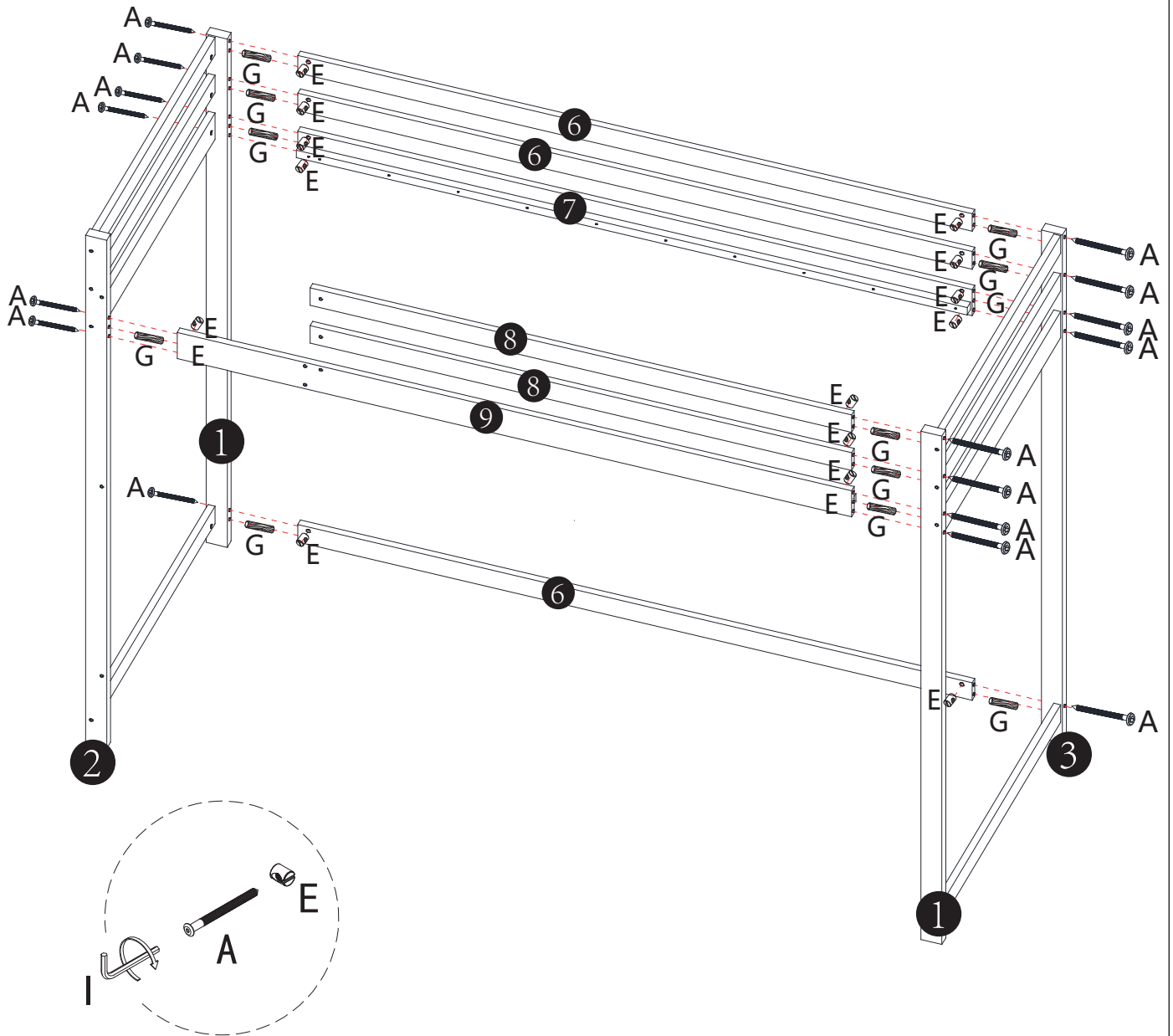
Schritt 2



G	Ø0.8x3 	10PCS	E	M1x1.3 	8PCS
C	0.6x7 	8PCS	I	M4 	1PC

INSTALLATION INSTRUCTIONS

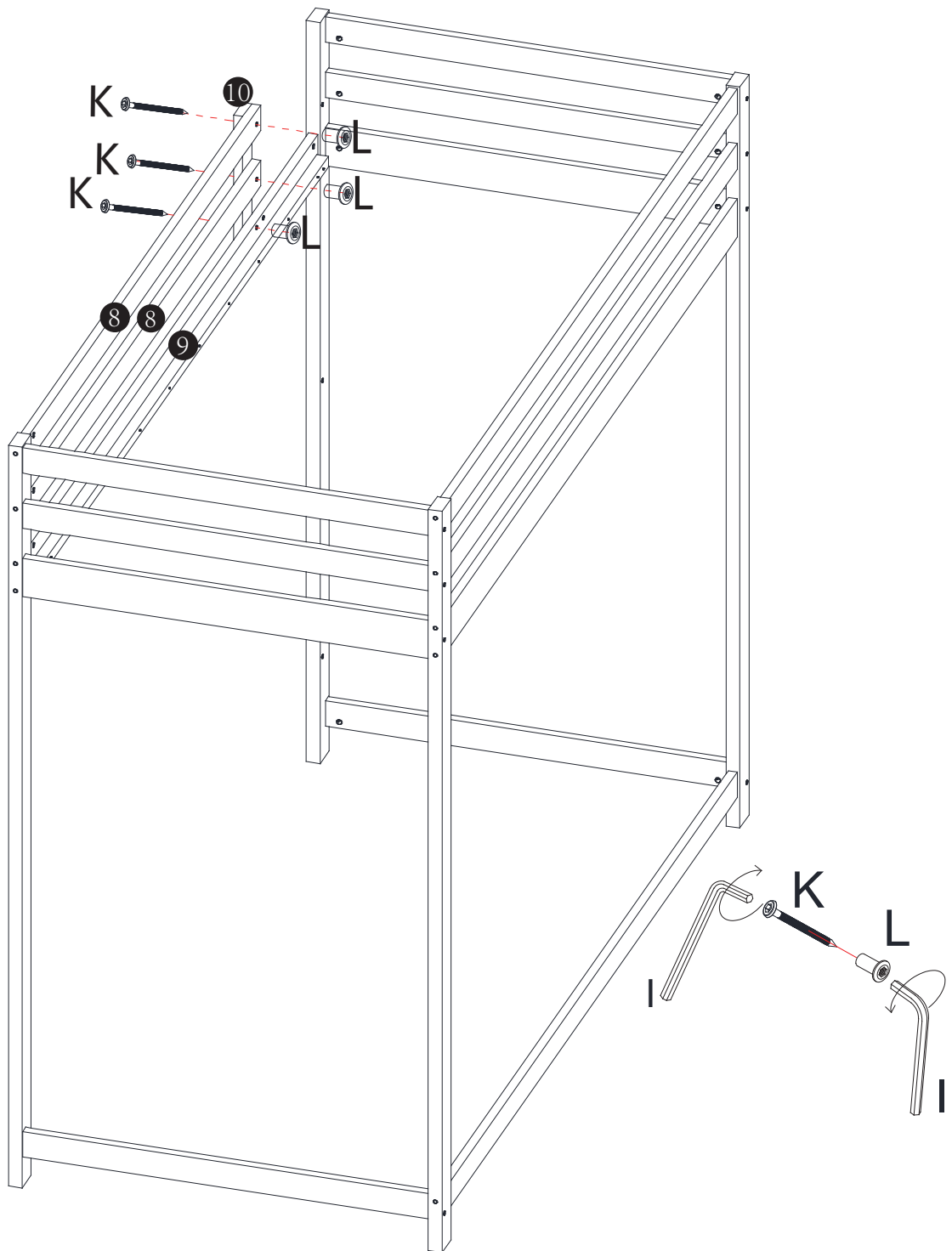
Schritt 3






G	Ø0.8x3		12PCS	E	M1x1.3		16PCS
A	0.6x10		16PCS	I	M4		1PC

INSTALLATION INSTRUCTIONS

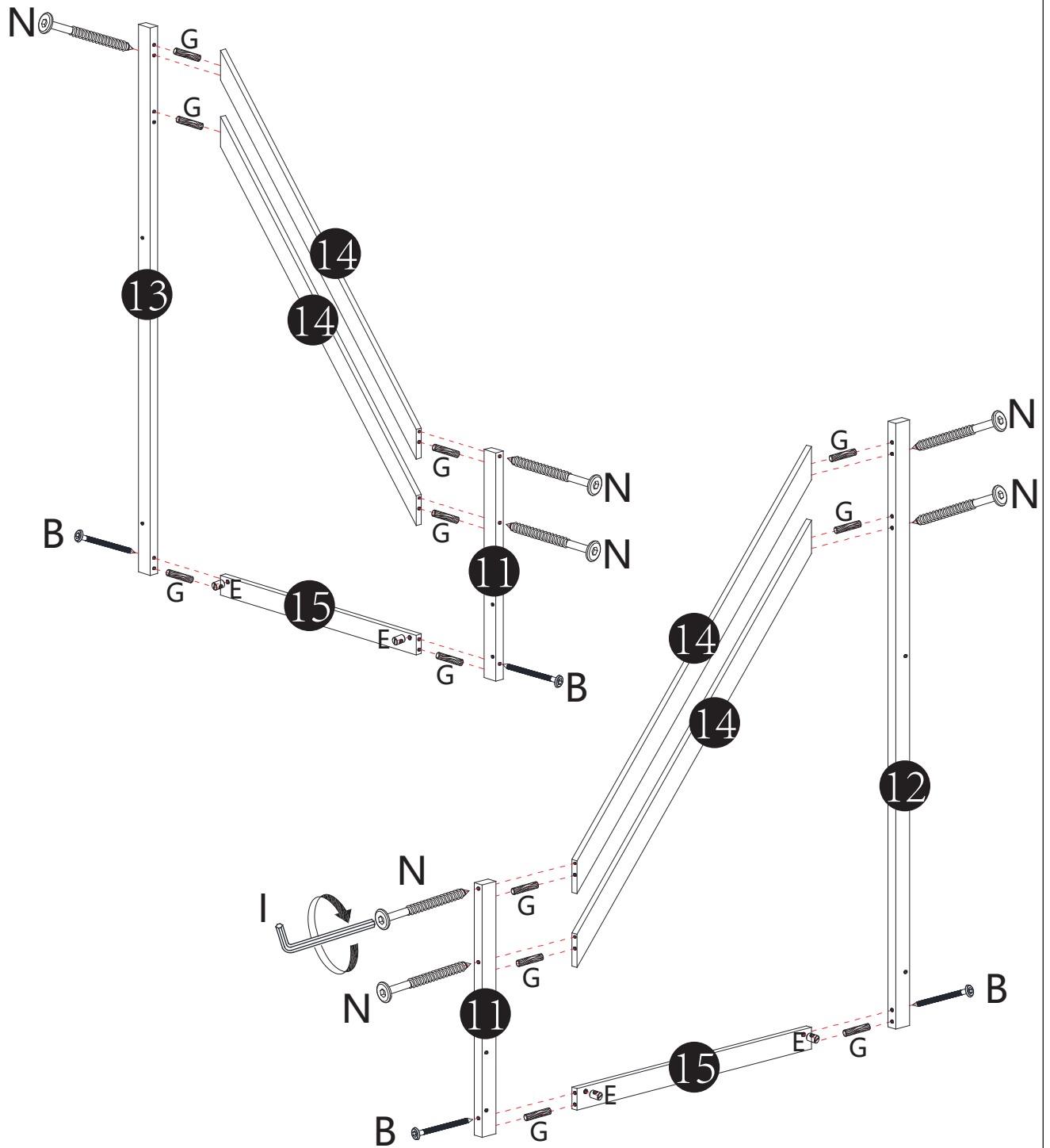
Schritt 4




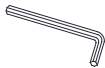



				K	M0.6x3		3PCS
I	M4		2PCS	L	M0.8x2		3PCS

INSTALLATION INSTRUCTIONS

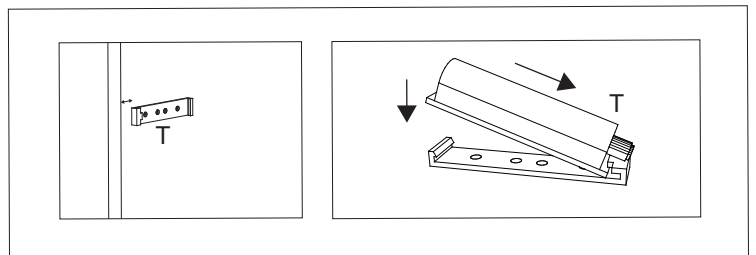
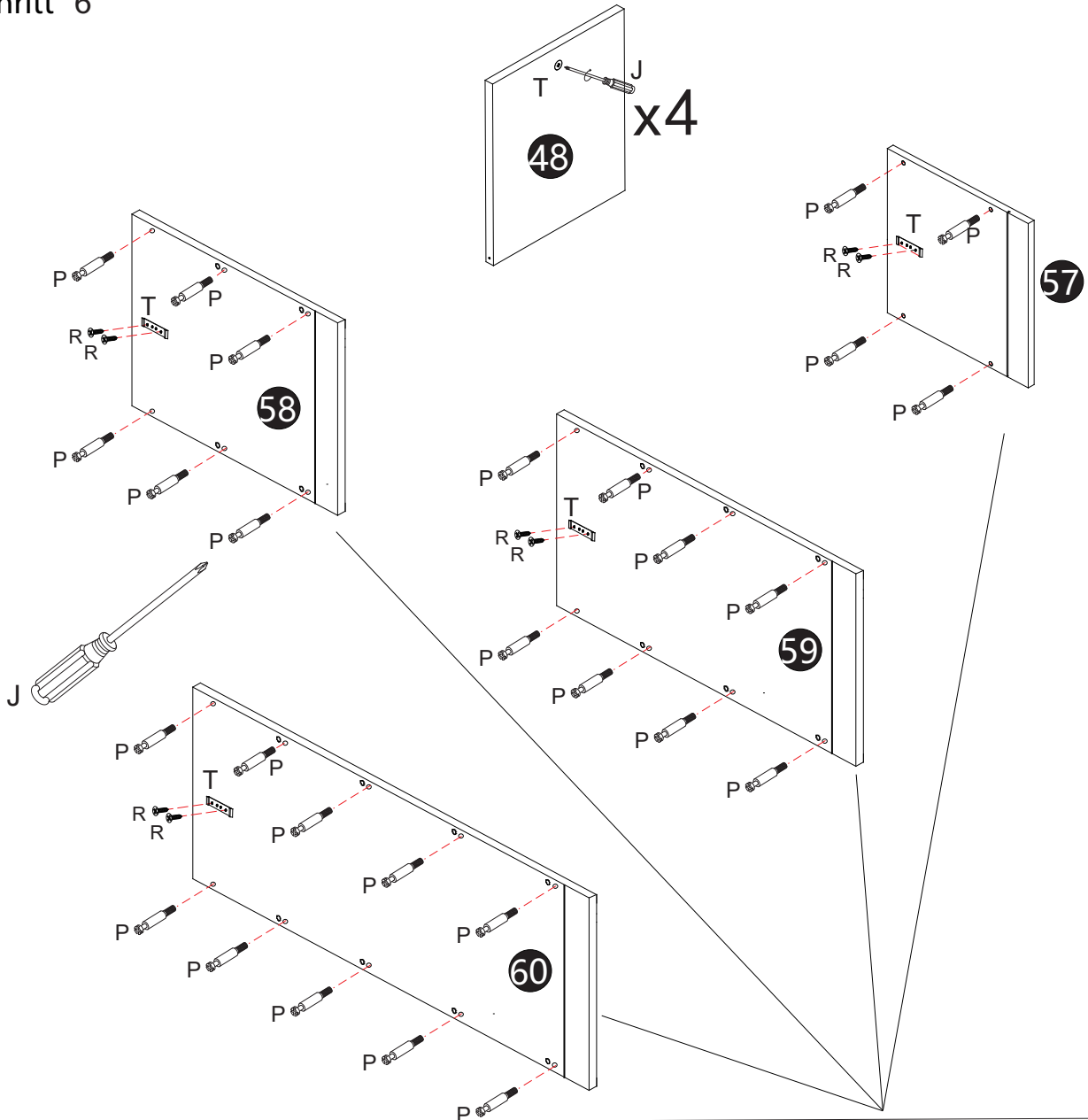
Schritt 5


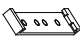
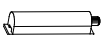





N	Ø0.6x9		7PCS			
G	Ø0.8x3		12PCS	E	M1x1.3 	4PCS
I	M4		1PC	B	M0.6x9 	4PCS

INSTALLATION INSTRUCTIONS

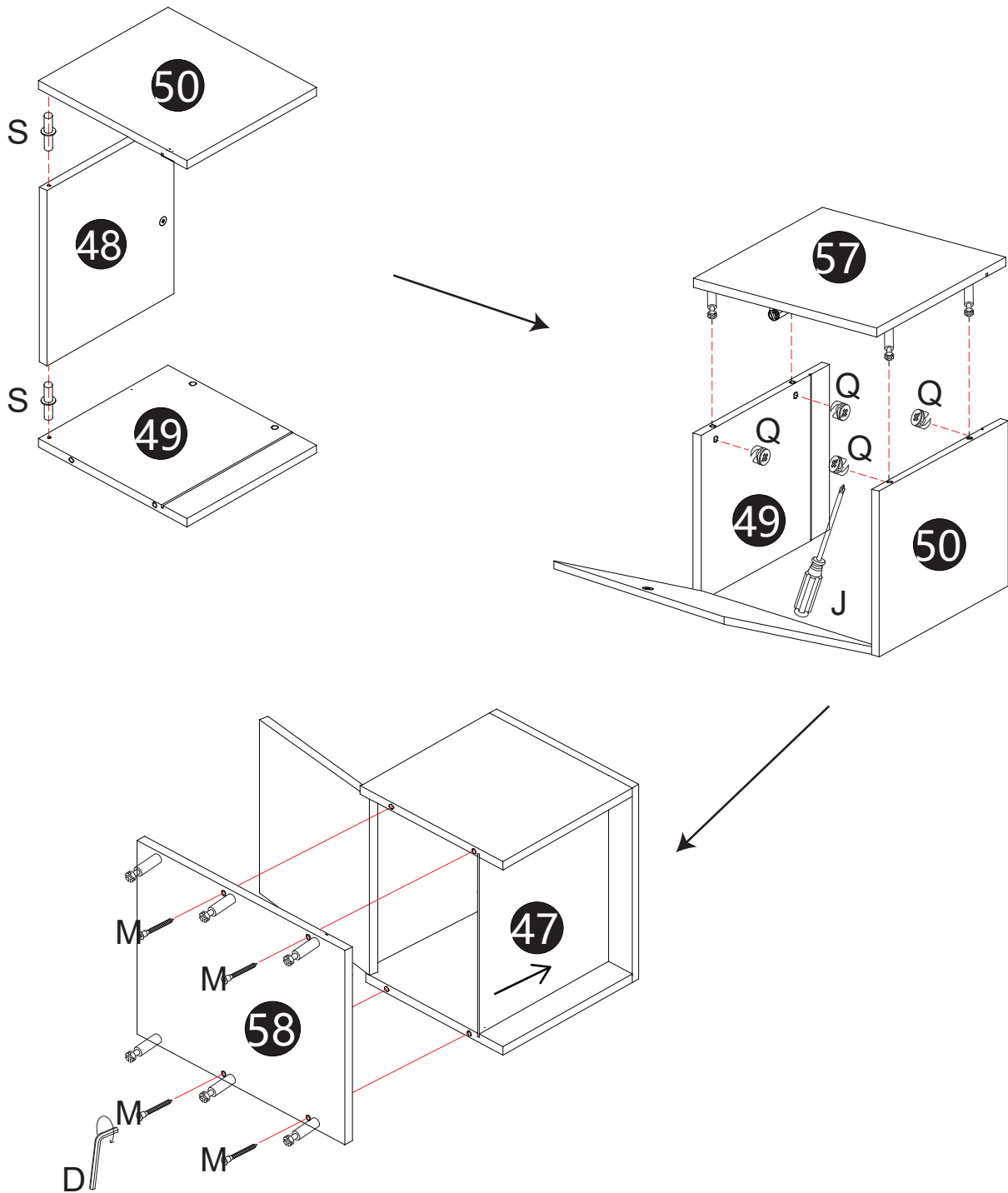
Schritt 6

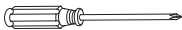






T	  	4PCS	P	$\text{Ø}0.6 \times 4$ 	28PCS
R	$\text{Ø}0.4 \times 1.2$ 	8PCS	J		1PC

INSTALLATION INSTRUCTIONS

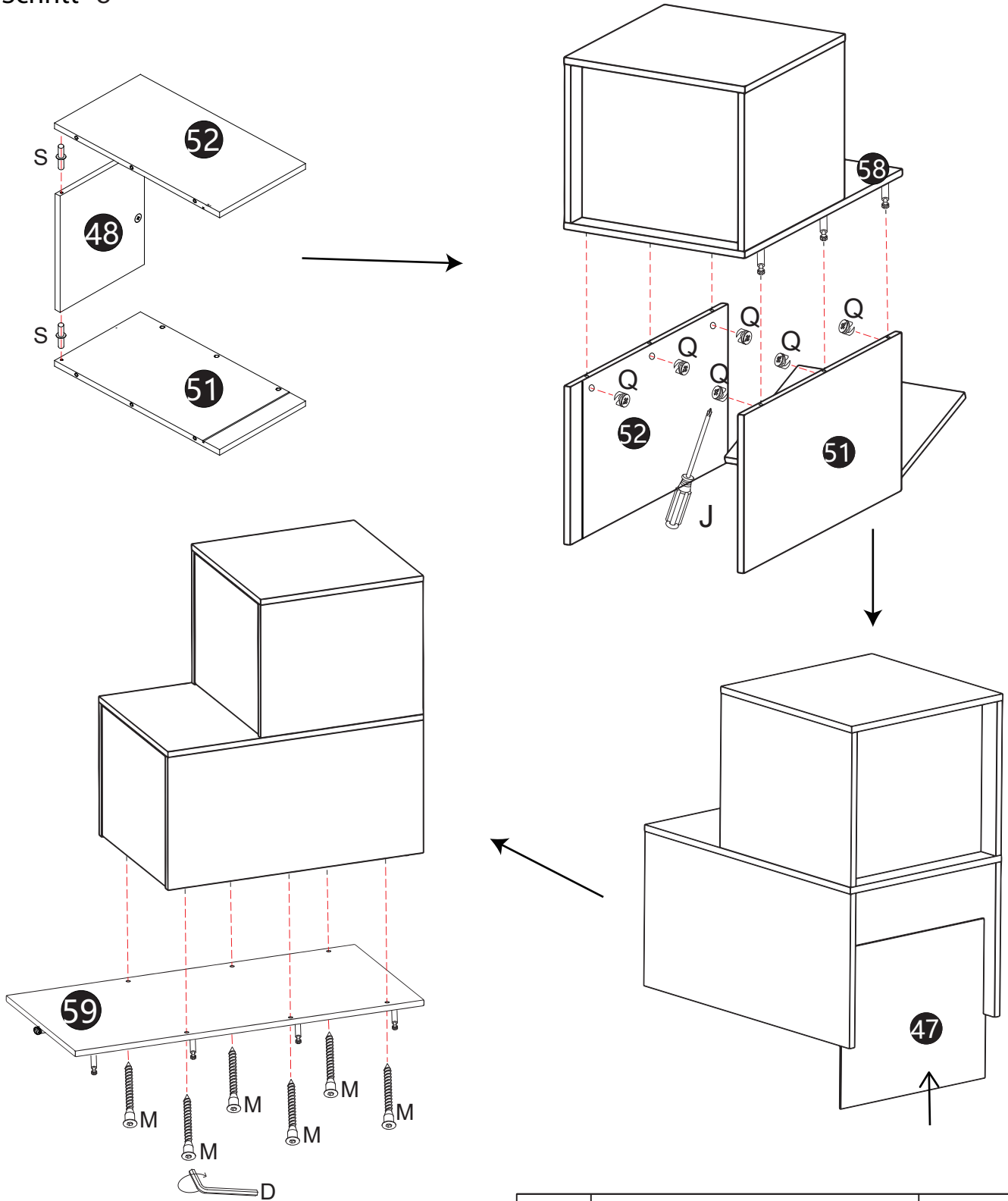
Schritt 7








				J		1PC
Q	Ø1.5x0.95		4PCS	S	Ø0.6x1.9 	2PCS
M	Ø0.5x4		4PCS	D	M3 	1PC

INSTALLATION INSTRUCTIONS

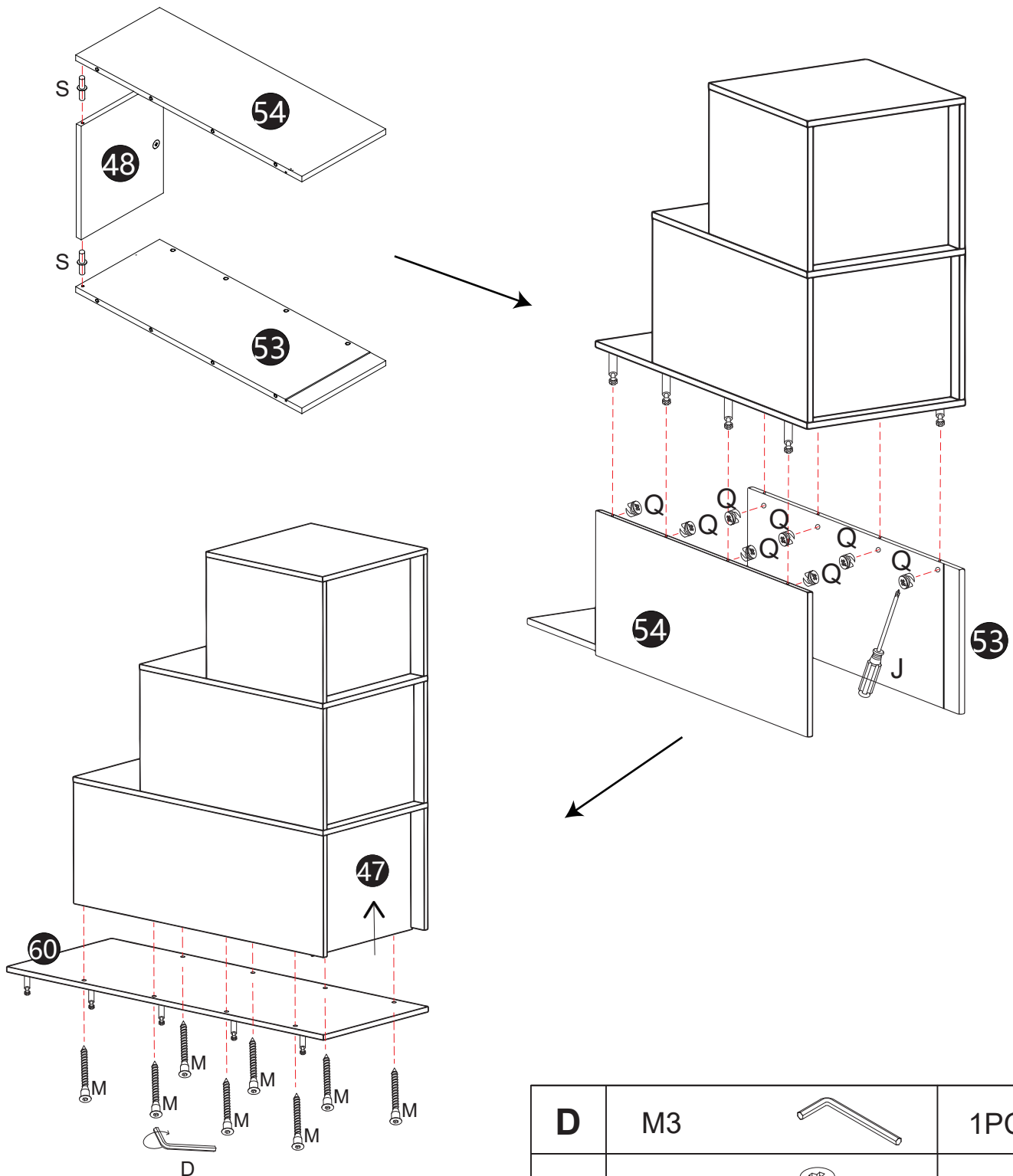
Schritt 8



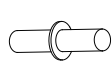




J		1PC	Q	Ø1.5x0.95		6PCS
M	Ø0.5x4		S	Ø0.6x1.9		2PCS
		6PCS	D	M3		1PC

INSTALLATION INSTRUCTIONS

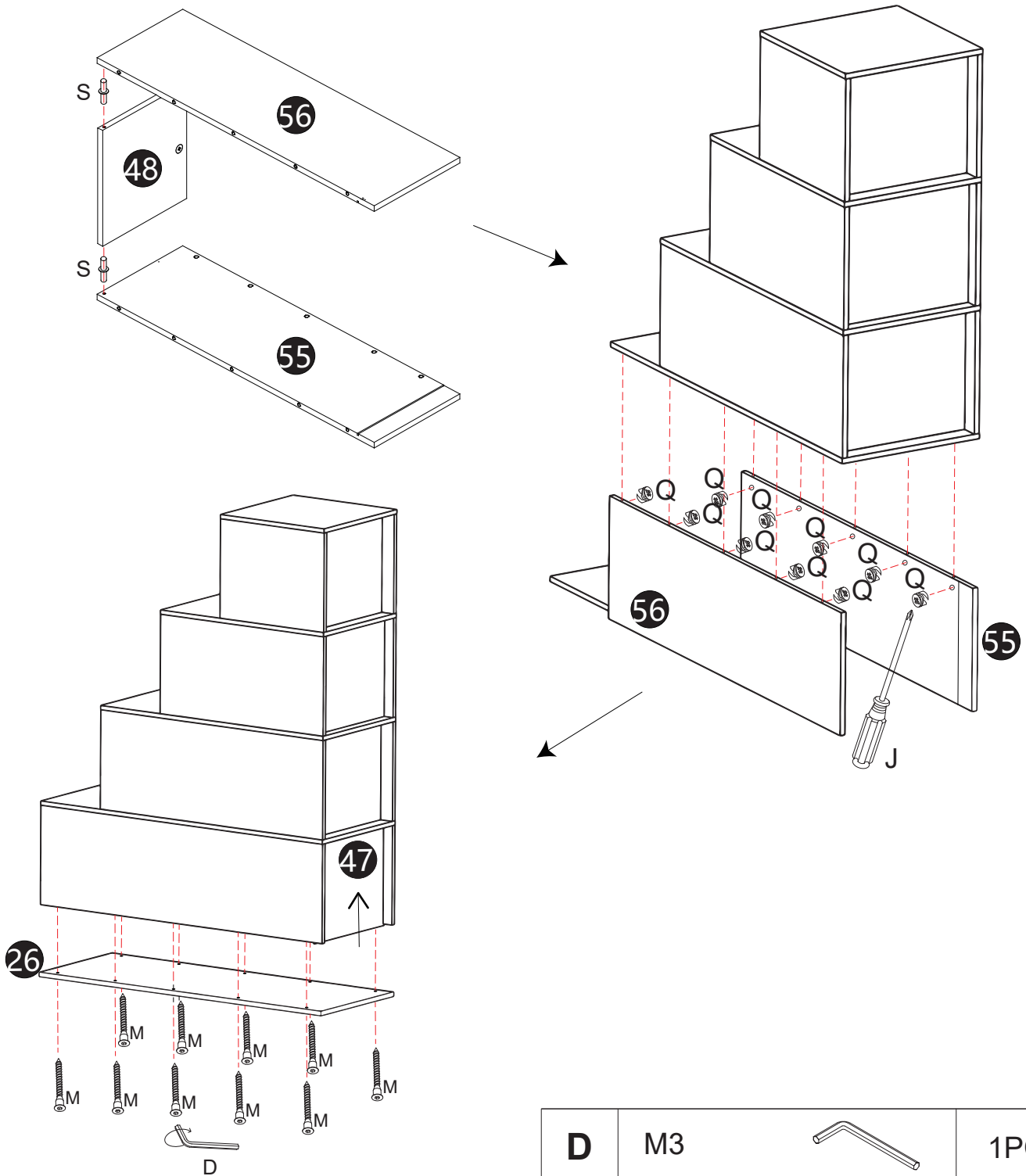
Schritt 9



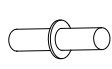




D	M3		1PC
Q	Ø1.5x0.95		8PCS
S	Ø0.6x1.9		2PCS
M	Ø0.5x4		8PCS
J			1PC

INSTALLATION INSTRUCTIONS

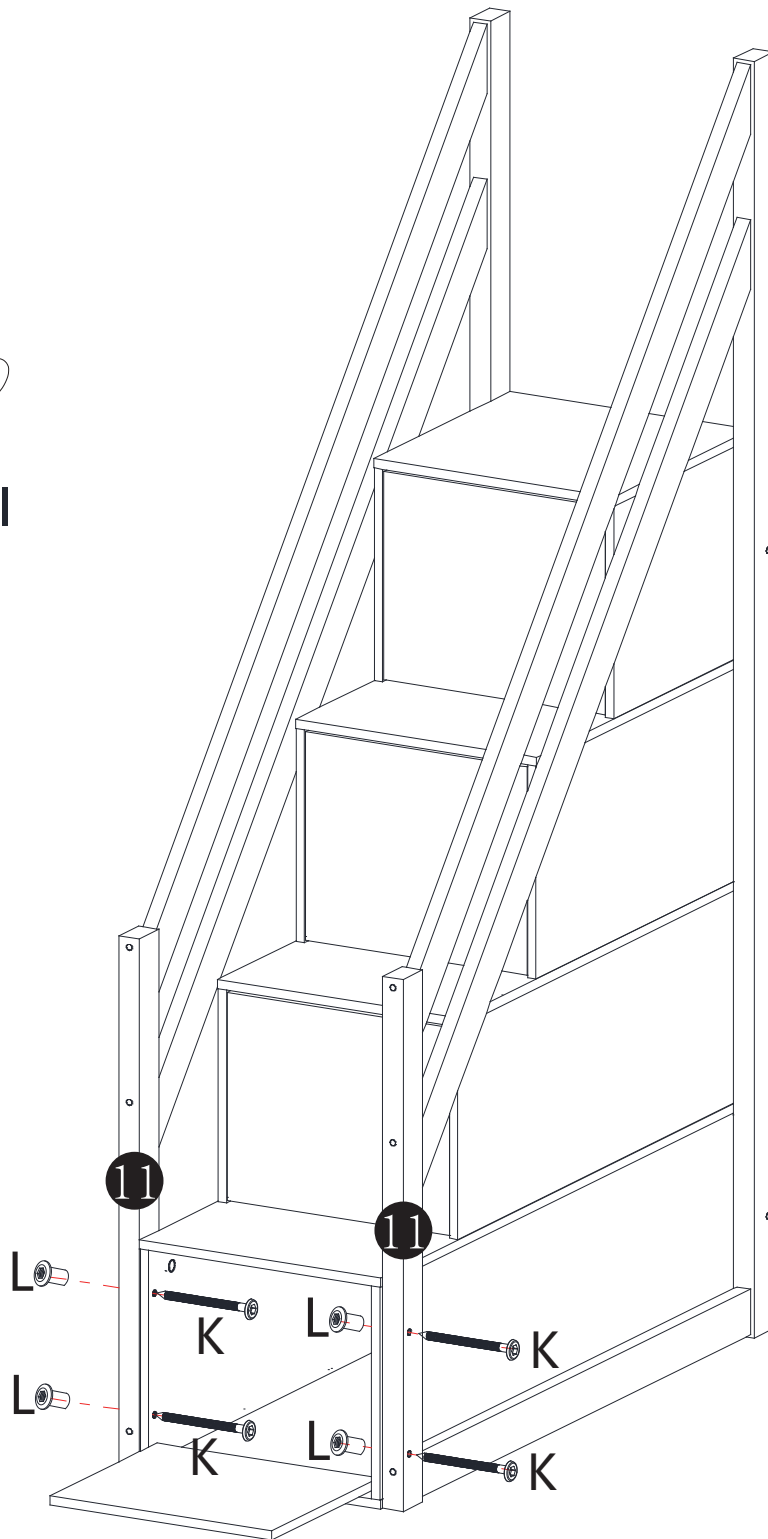
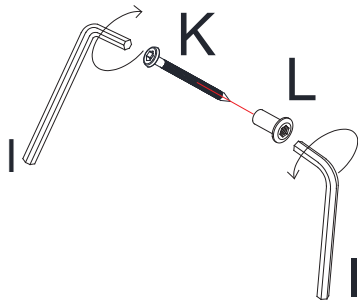
Schritt 10






D	M3		1PC
Q	Ø1.5x0.95		10PCS
S	Ø0.6x1.9		2PCS
M	Ø0.5x4		10PCS
J			1PC

INSTALLATION INSTRUCTIONS

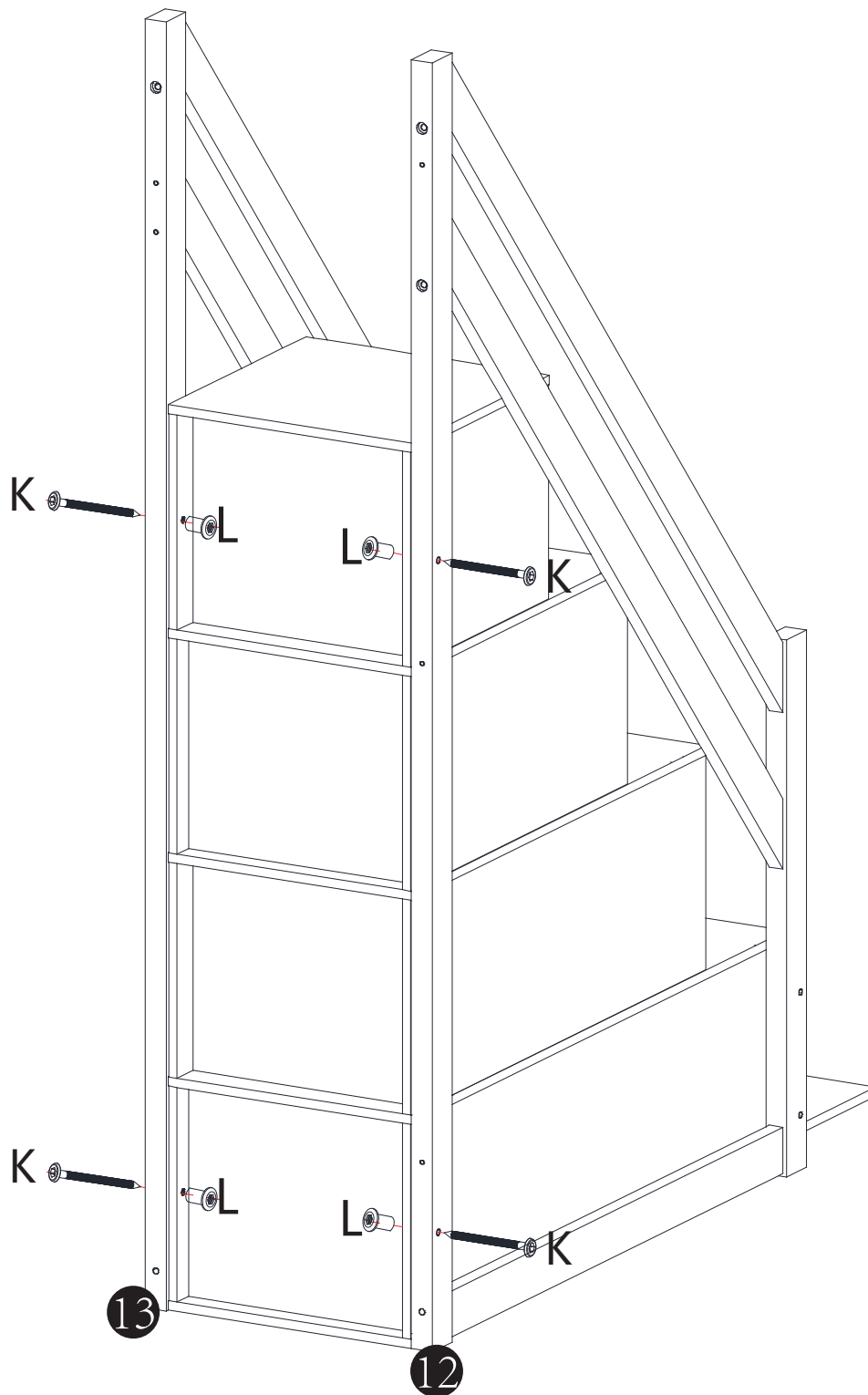
Schritt 11






K	M0.6x3		4PCS			
L	M0.8x2		4PCS	I	M4	
						2PCS

INSTALLATION INSTRUCTIONS

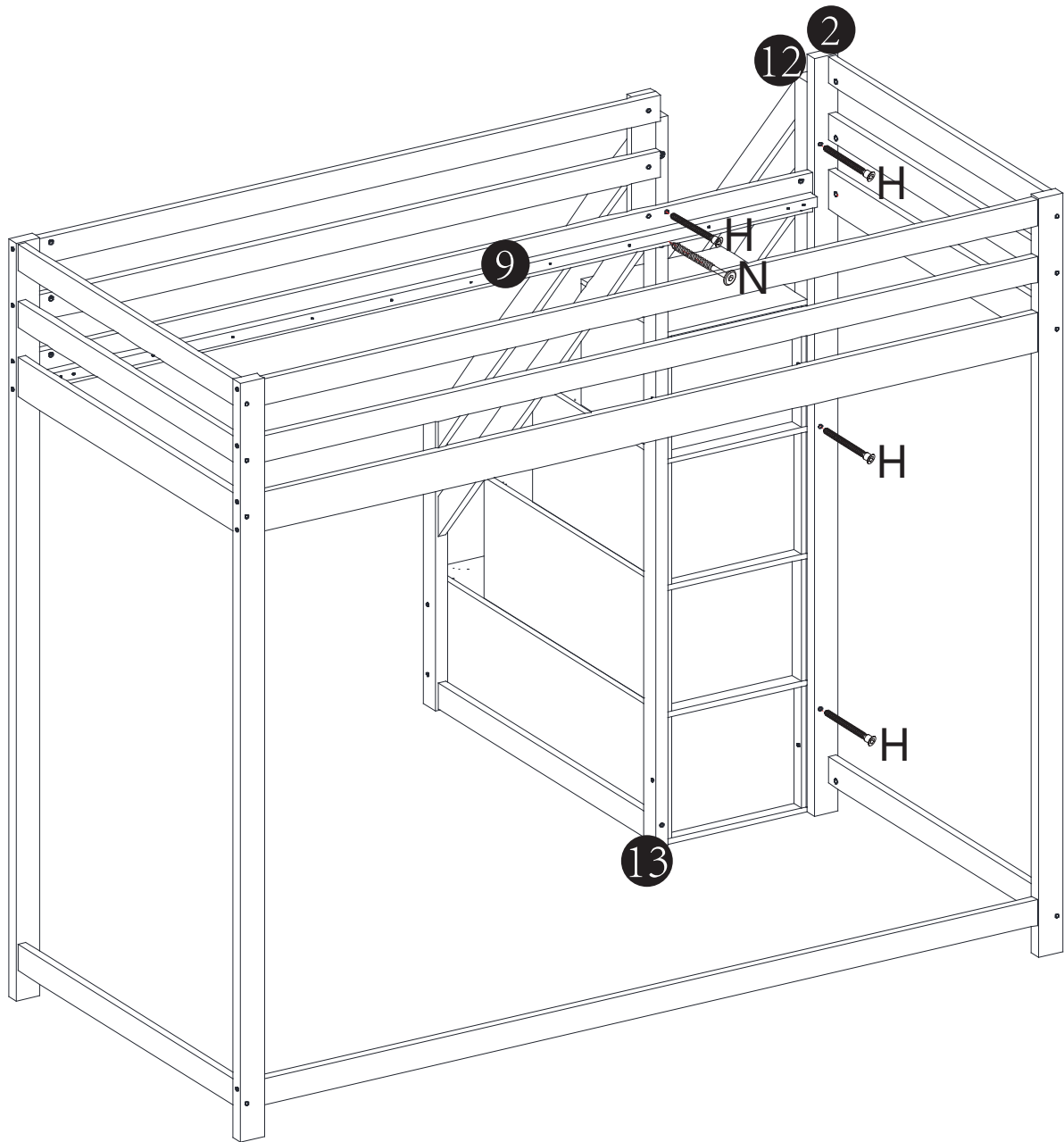
Schritt 12






K	M0.6x3		4PCS				
L	M0.8x2		4PCS	I	M4		2PCS

INSTALLATION INSTRUCTIONS

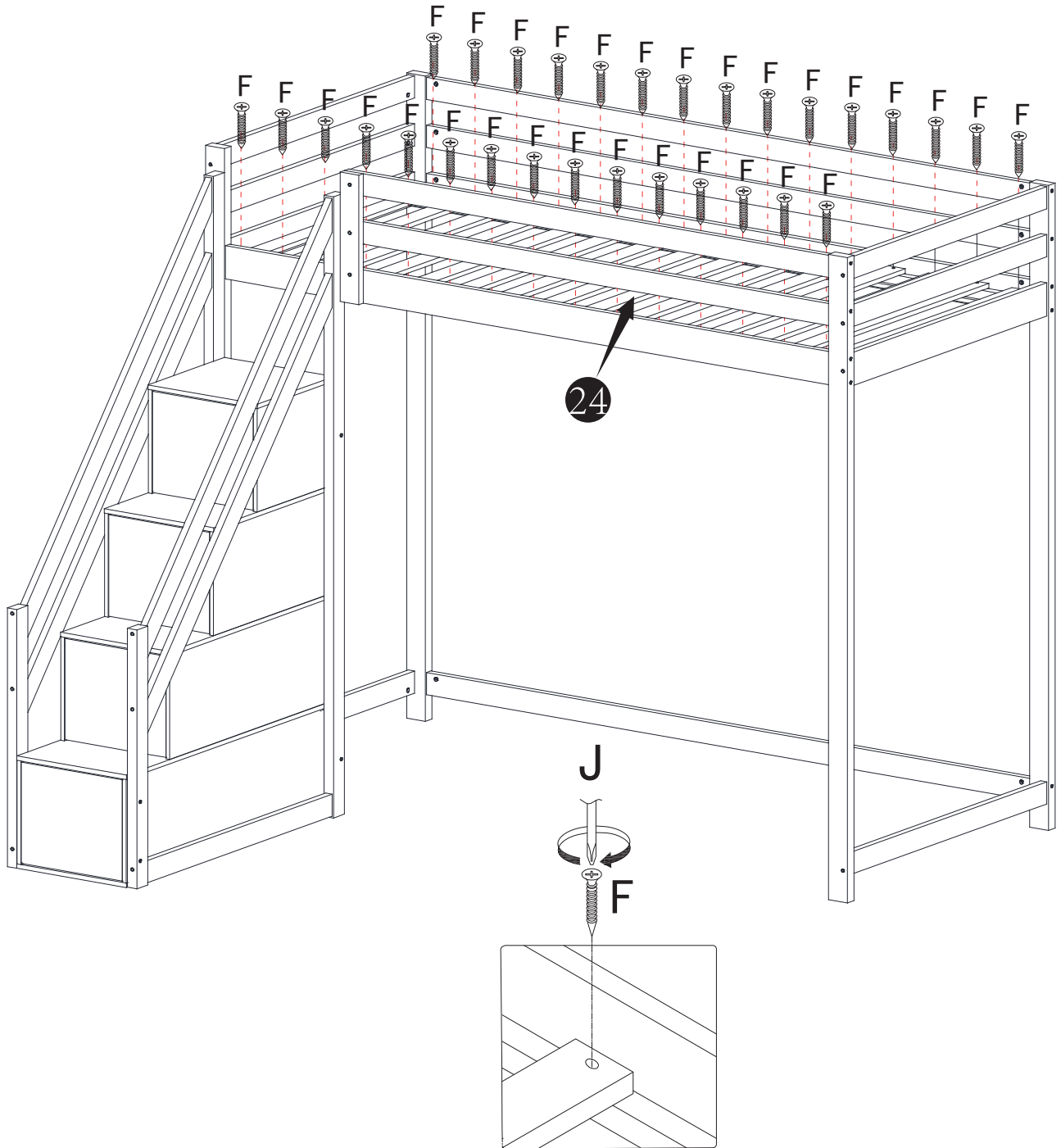
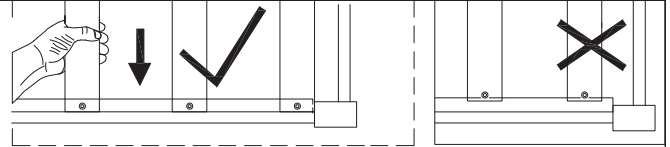
Schritt 13



N	Ø0.6x9		1PC			
I	M4		1PC	H	Ø0.7x6	 4PCS

INSTALLATION INSTRUCTIONS

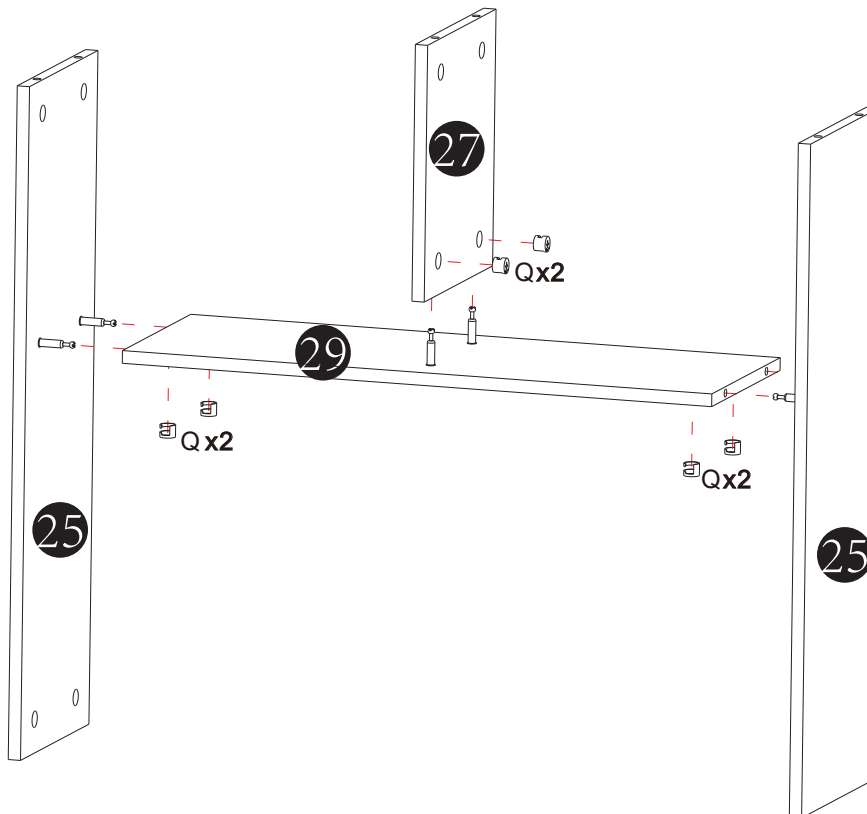
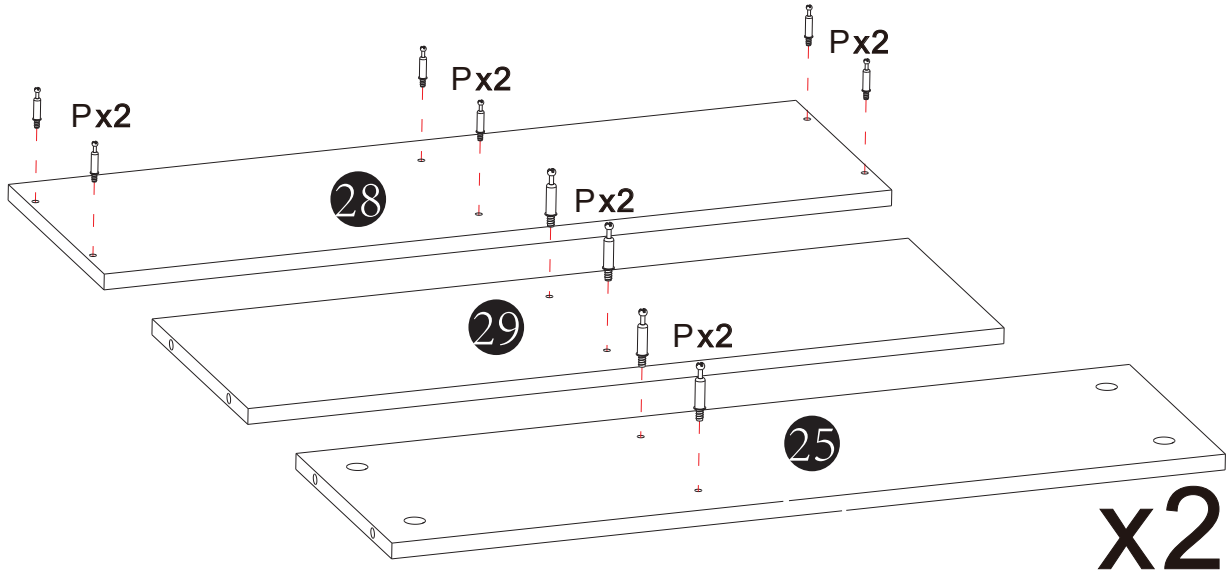
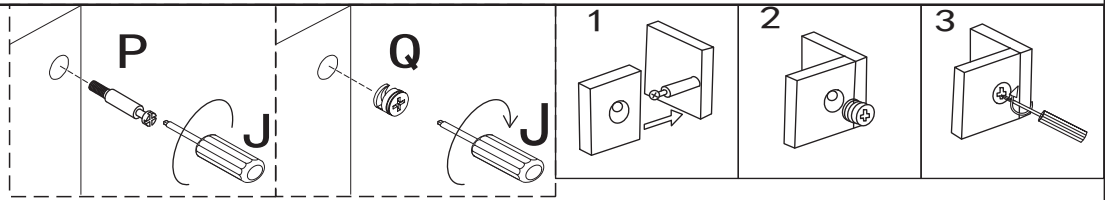
Schritt 14


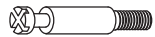



F	Ø0.4x3 	30PCS	J		1PC
----------	--	-------	----------	---	-----

INSTALLATION INSTRUCTIONS

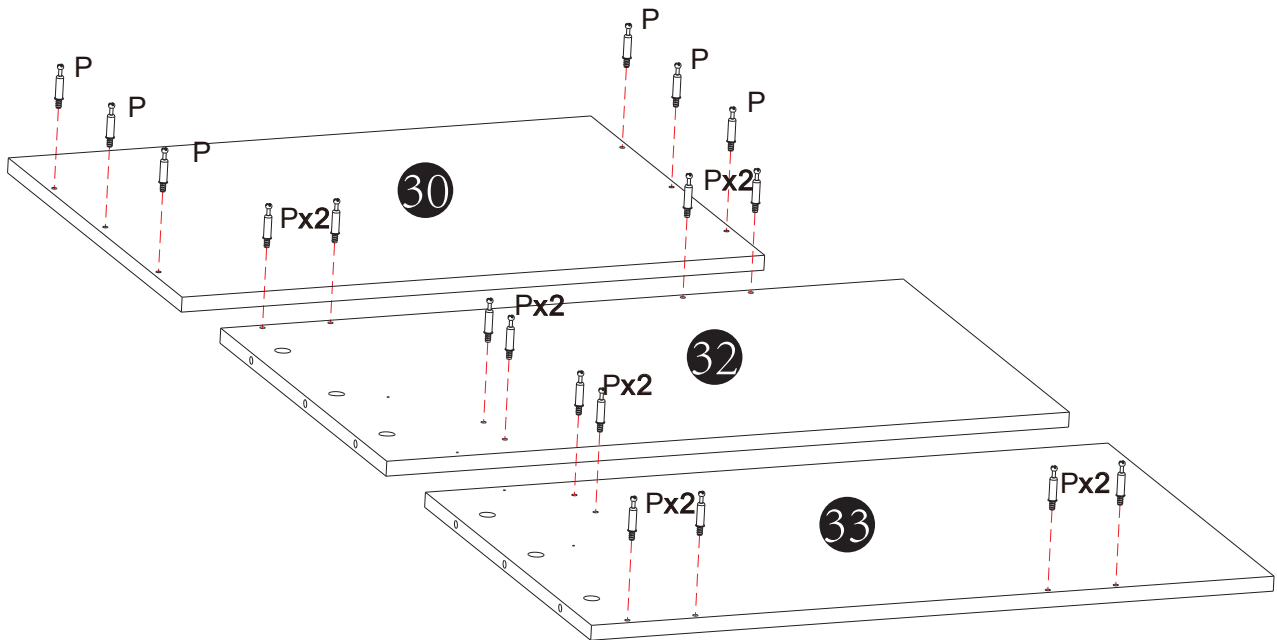
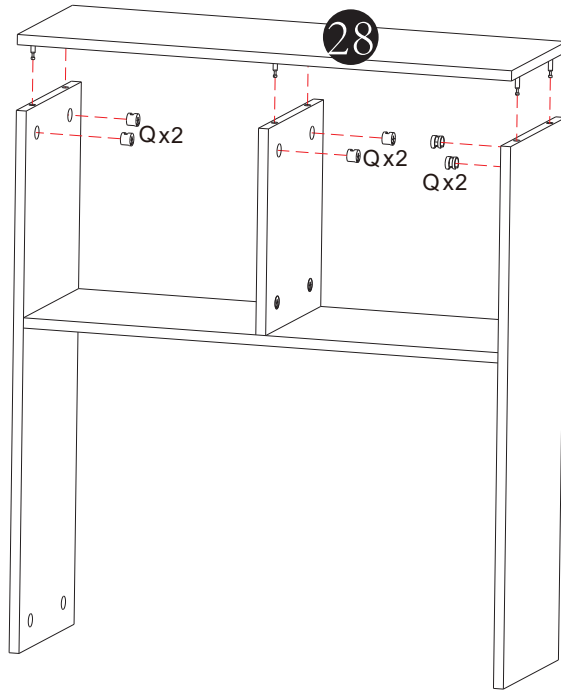
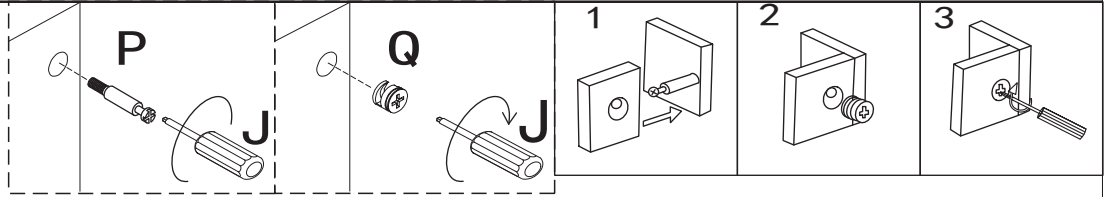
Schritt 15



J		1PC	P Ø 0.6x4 	12PCS
			Q Ø1.5x0.95 	6PCS

INSTALLATION INSTRUCTIONS

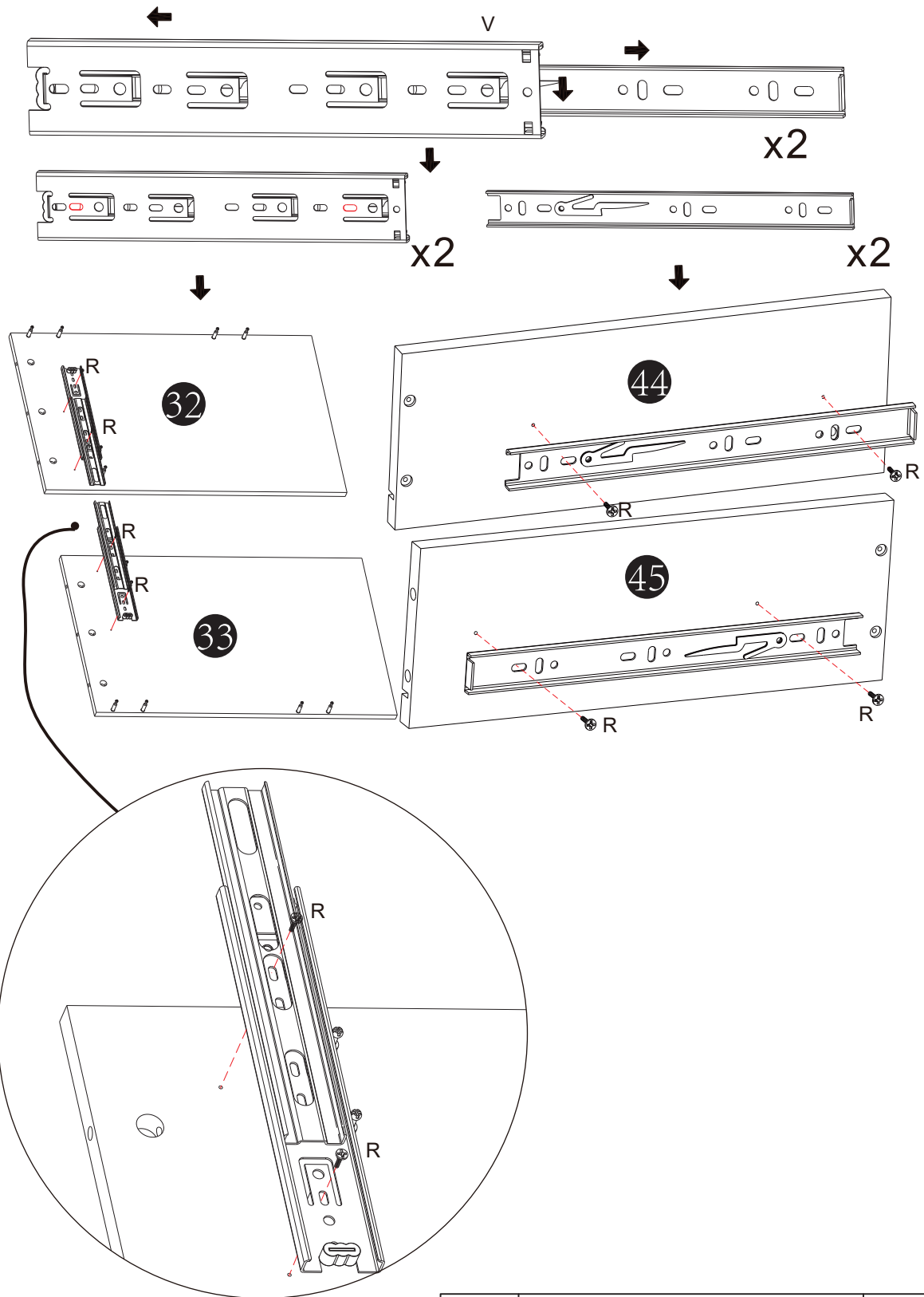
Schritt 16






			P	Ø 0.6x4		18PCS
J		1PC	Q	Ø1.5x0.95		6PCS

INSTALLATION INSTRUCTIONS

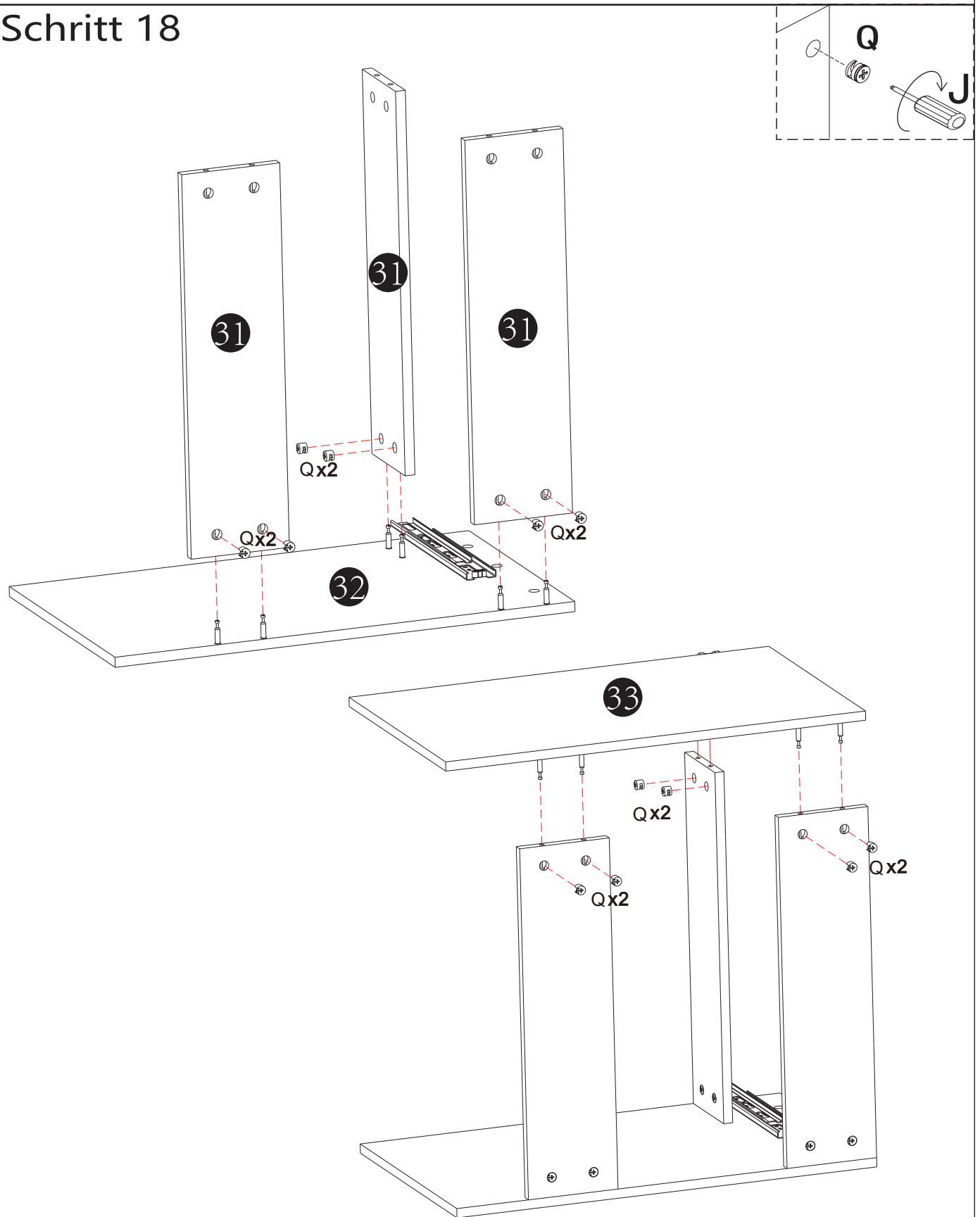
Schritt 17



			V		2PCS
J		1PC	R	Ø0.4x1.2 	8PCS

INSTALLATION INSTRUCTIONS

Schritt 18



J



1PC

Q

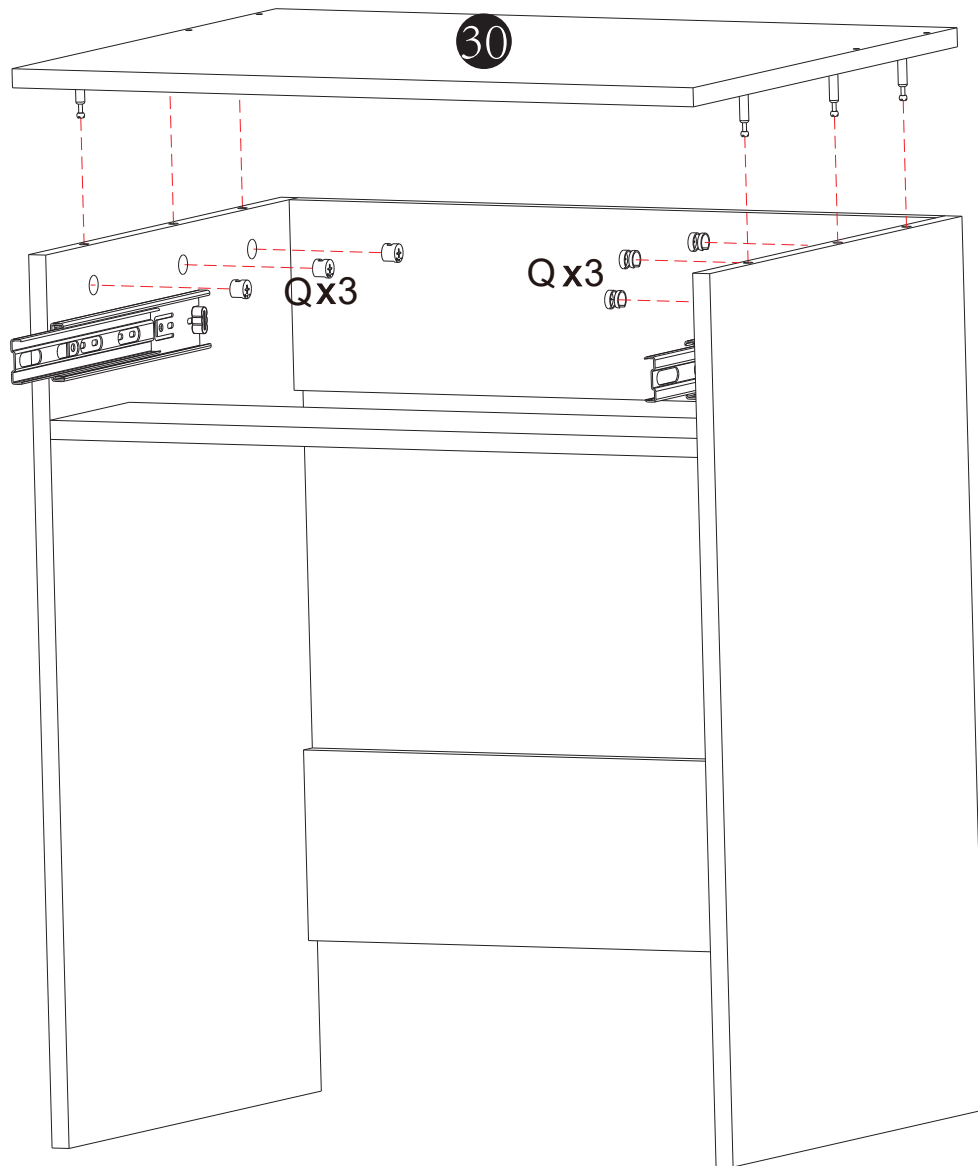
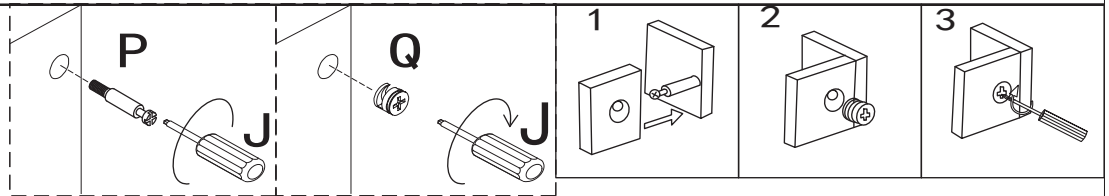
Ø1.5x0.95



12PCS

INSTALLATION INSTRUCTIONS

Schritt 19



J



1PC

Q

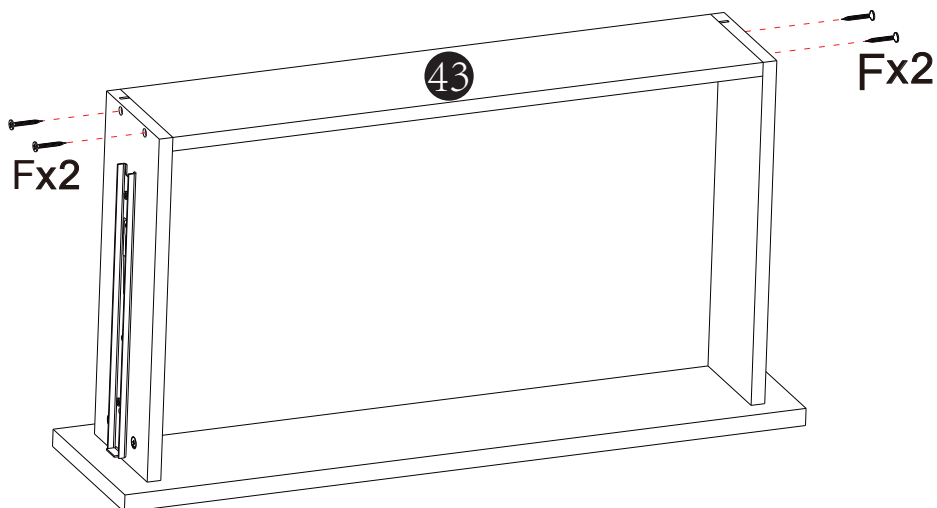
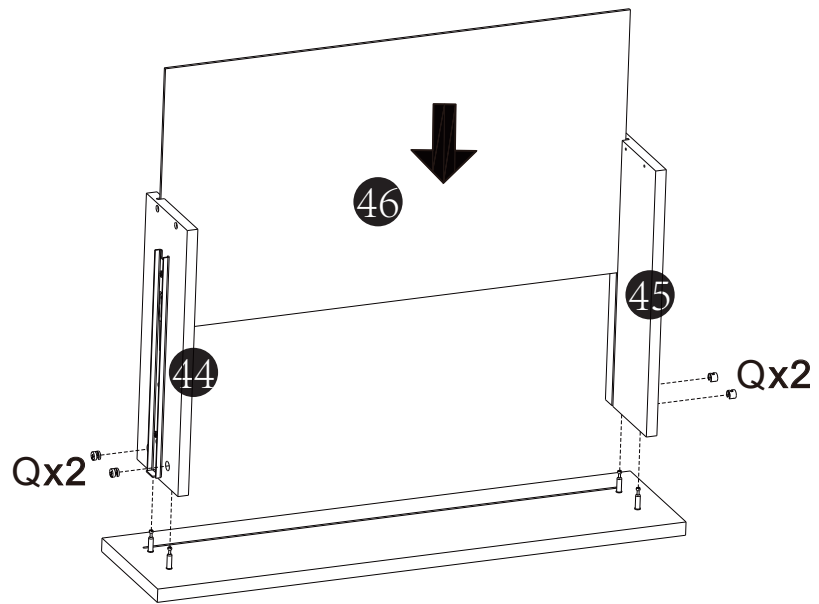
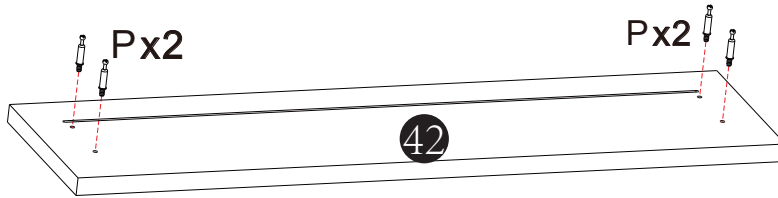
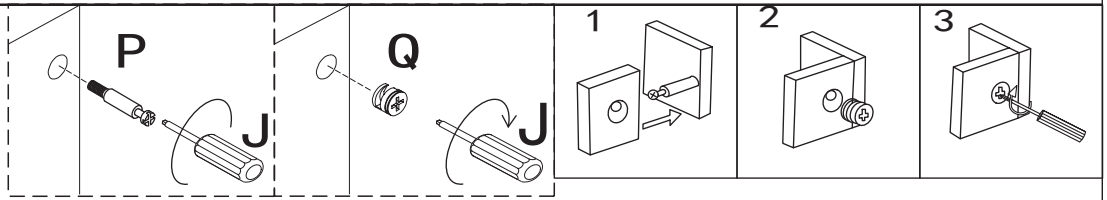
Ø1.5x0.95

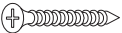





6PCS

INSTALLATION INSTRUCTIONS

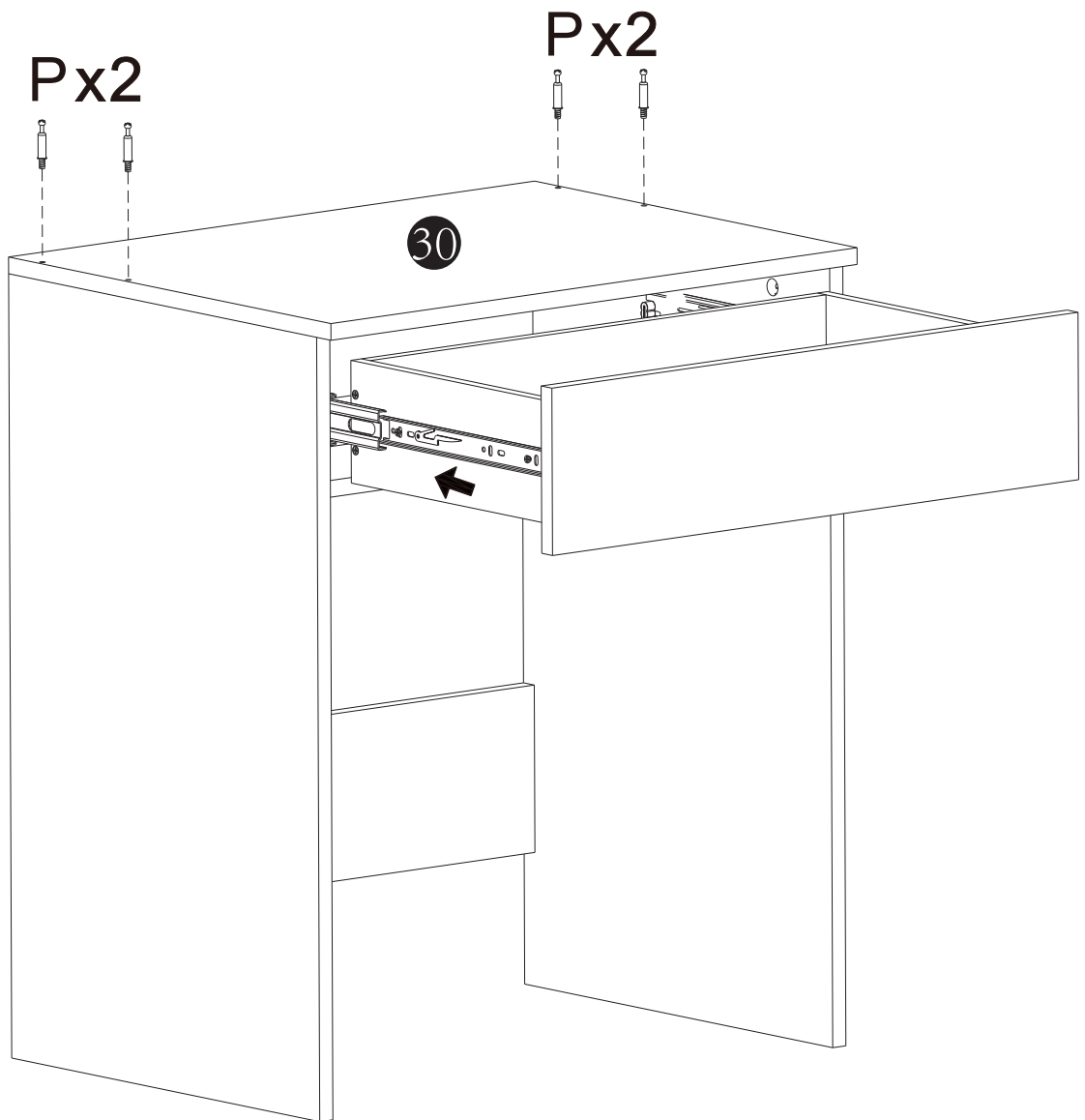
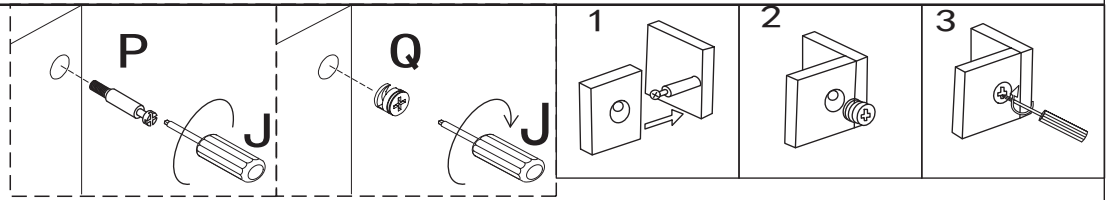
Schritt 20



F	Ø0.4x3 	4PCS	P	Ø 0.6x4 	4PCS
J		1PC	Q	Ø1.5x0.95 	4PCS

INSTALLATION INSTRUCTIONS

Schritt 21



J



1PC

P

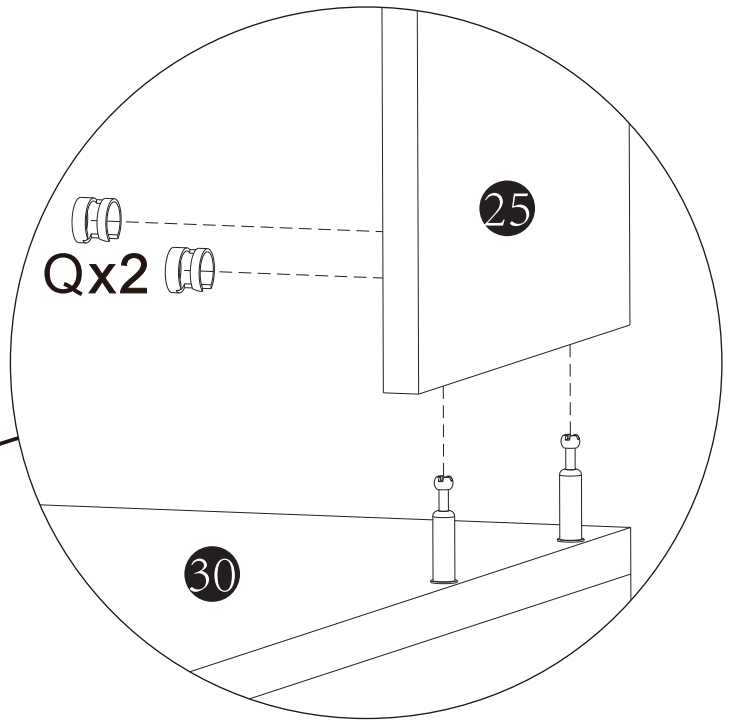
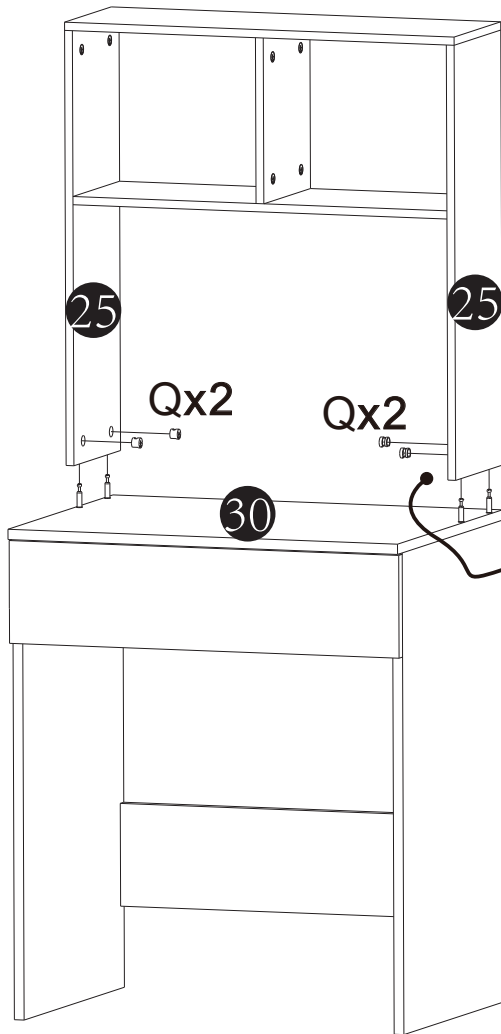
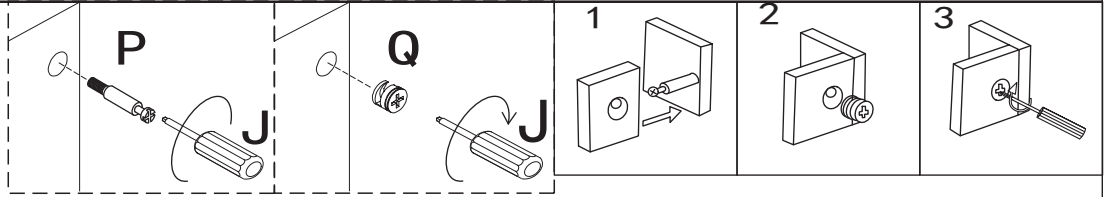
Ø 0.6x4



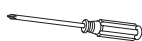
4PCS

INSTALLATION INSTRUCTIONS

Schritt 22



J



1PC

Q

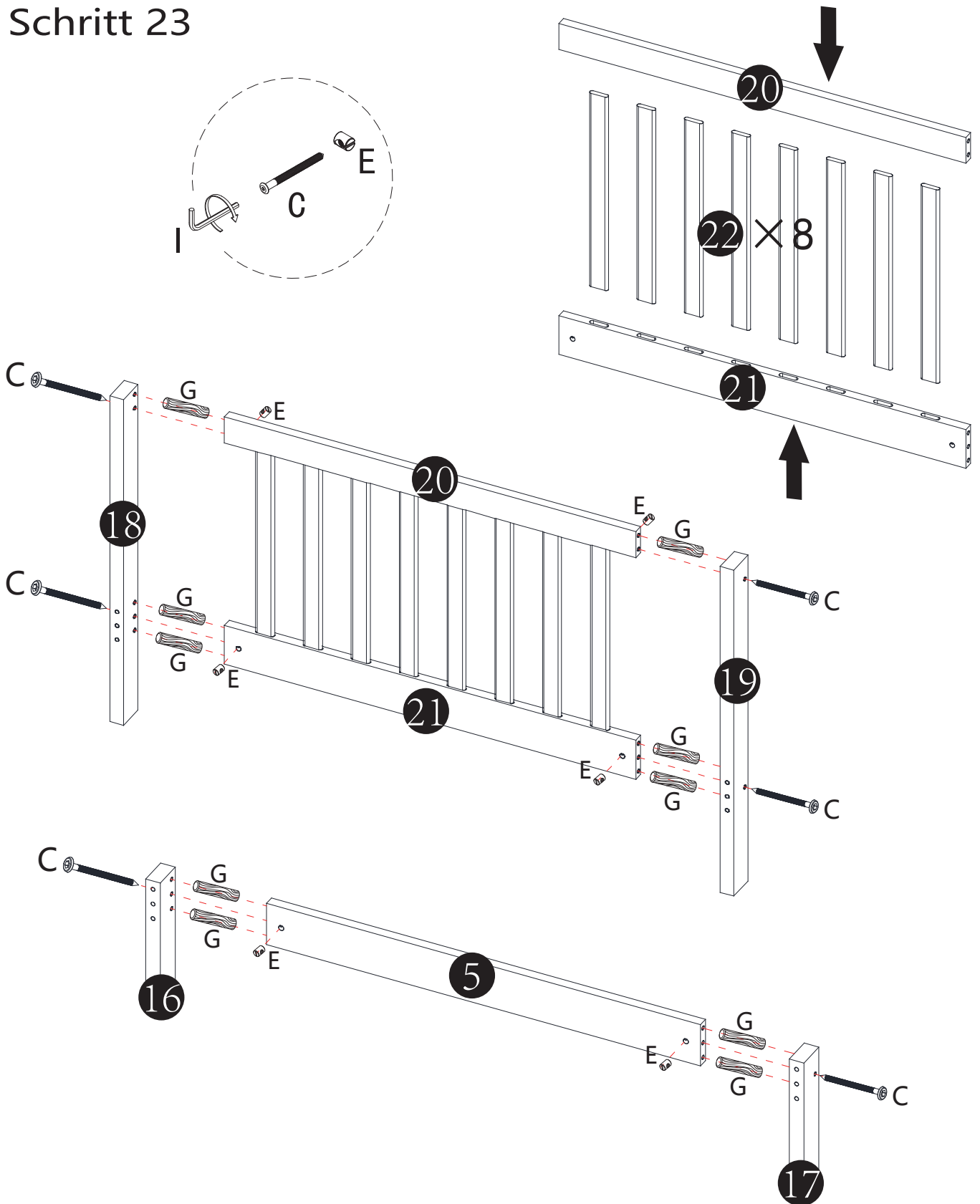
Ø1.5x0.95




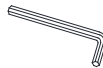


4PCS

INSTALLATION INSTRUCTIONS

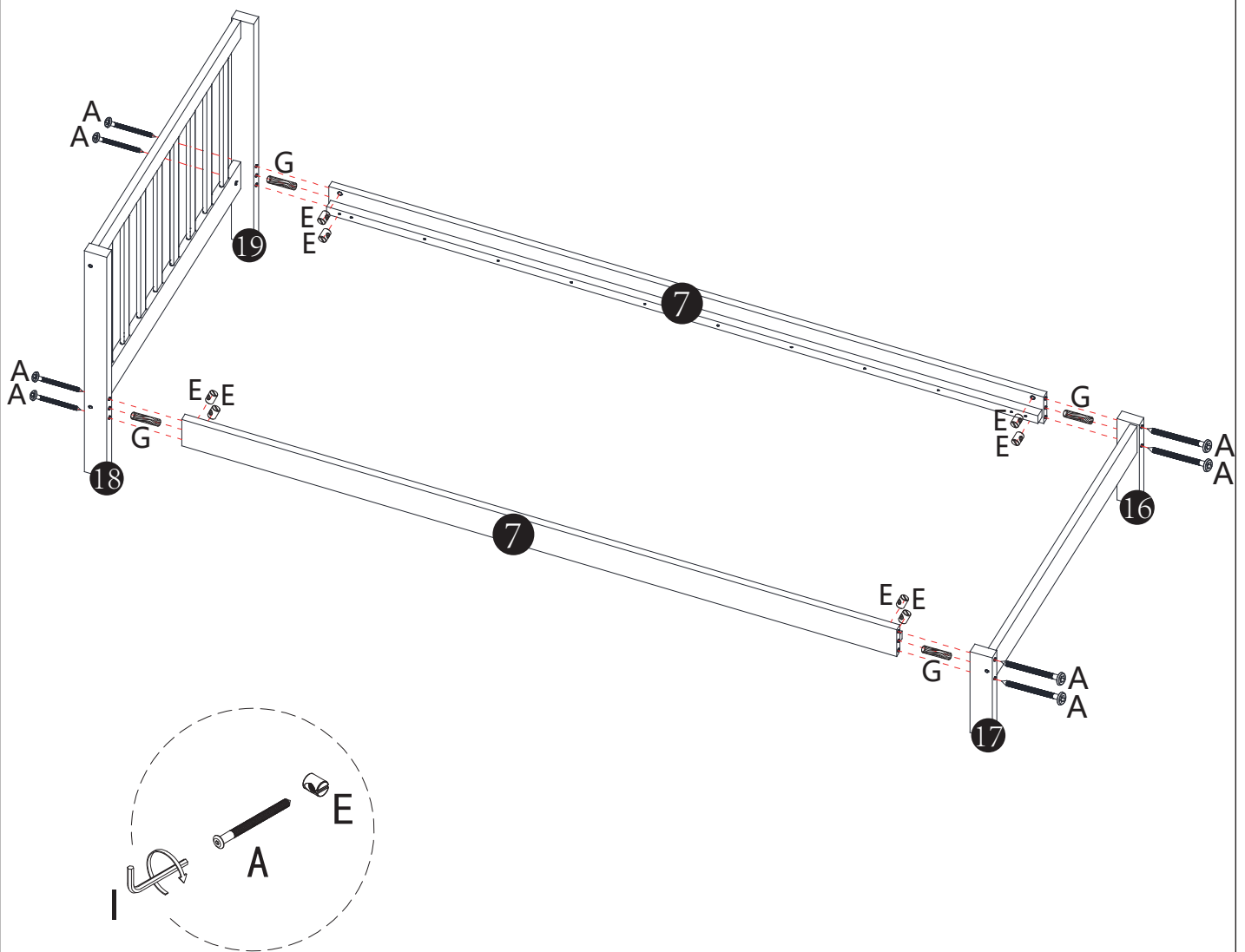
Schritt 23




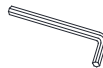


G	Ø0.8x3 	10PCS	E	M1x1.3 	6PCS
C	0.6x7 	6PCS	I	M4 	1PC

INSTALLATION INSTRUCTIONS

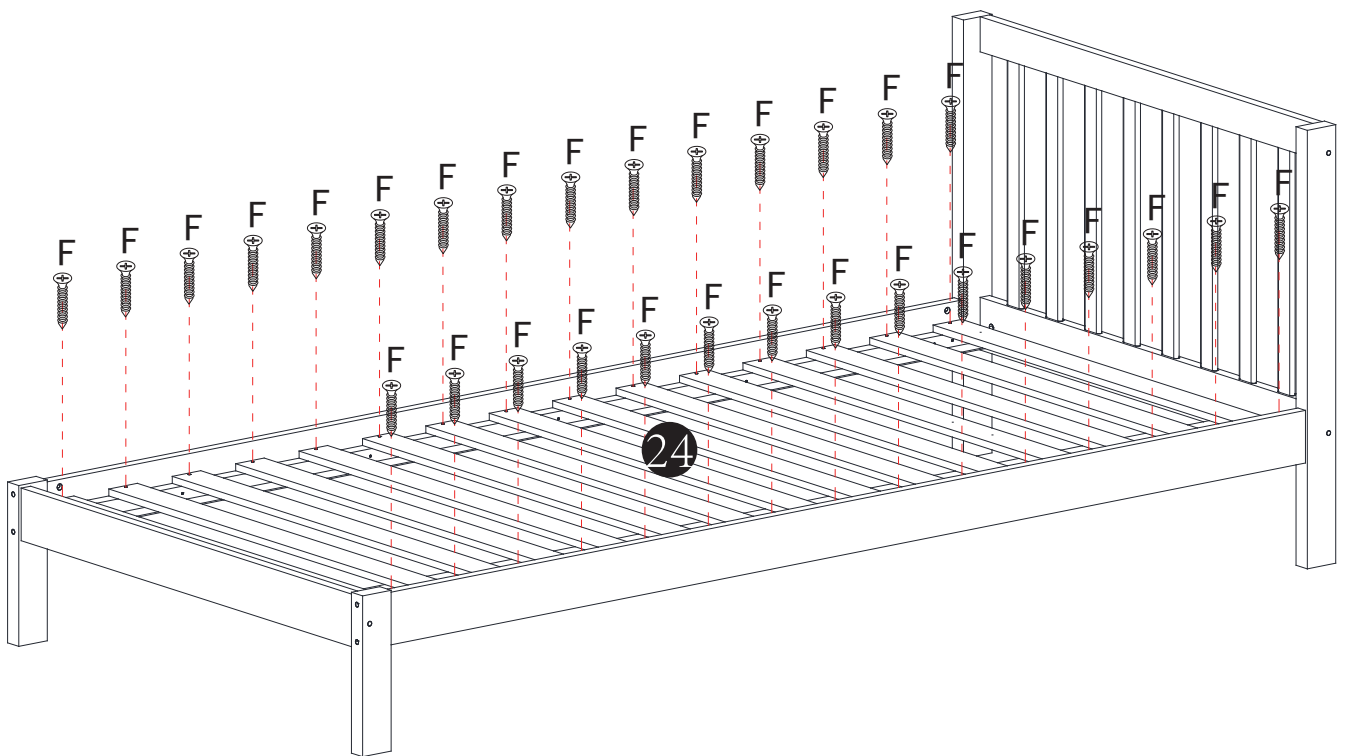
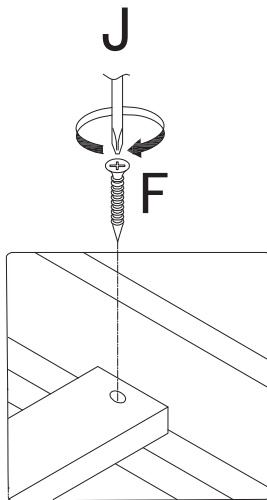
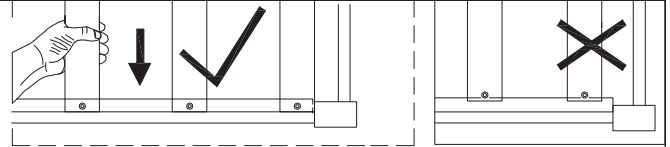
Schritt 24



G	Ø0.8x3		4PCS	E	M1x1.3		8PCS
A	0.6x10		8PCS	I	M4		1PC

INSTALLATION INSTRUCTIONS

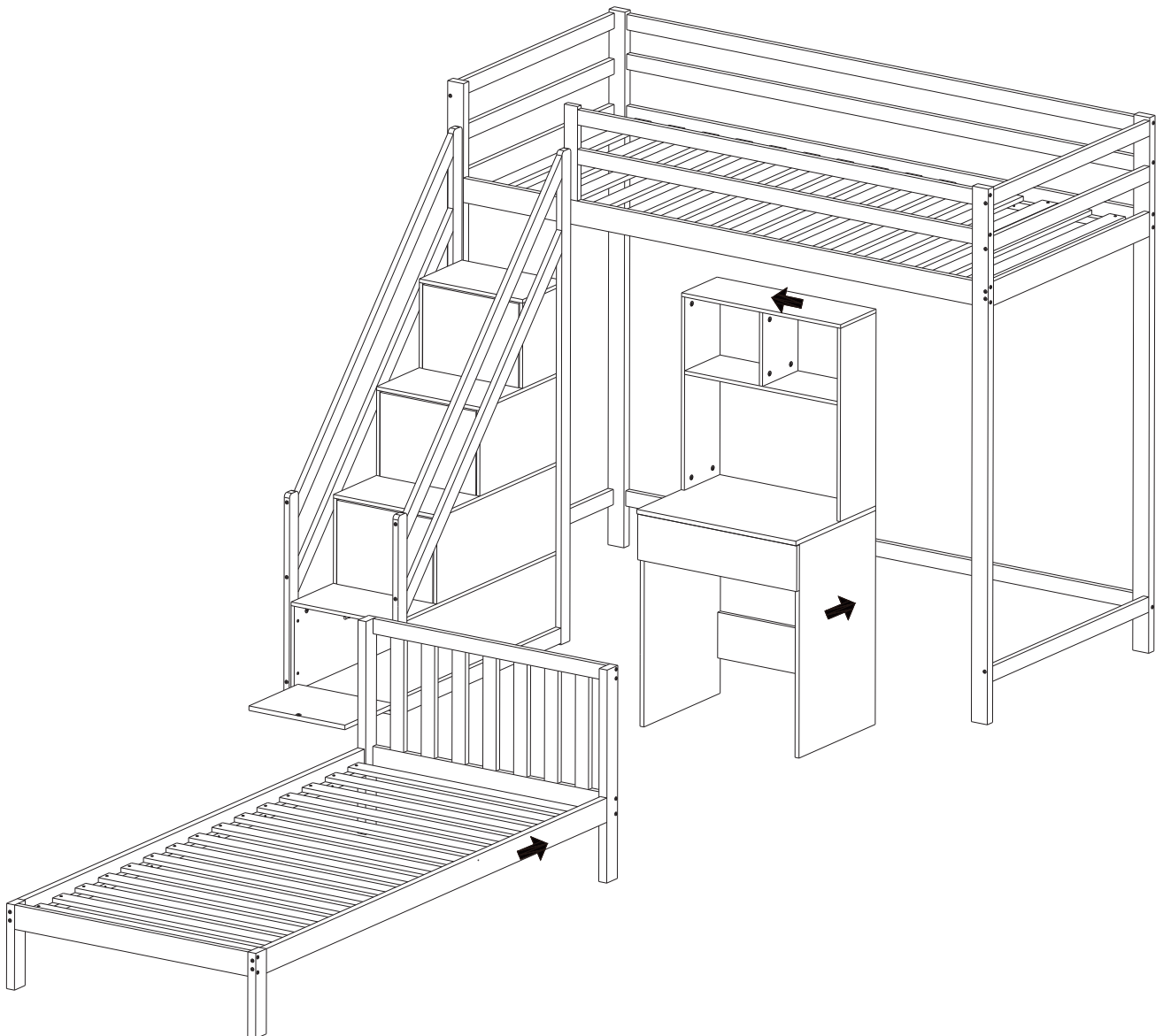
Schritt 25



F	Ø0.4x3 	30PCS	J		1PC
----------	--	-------	----------	---	-----

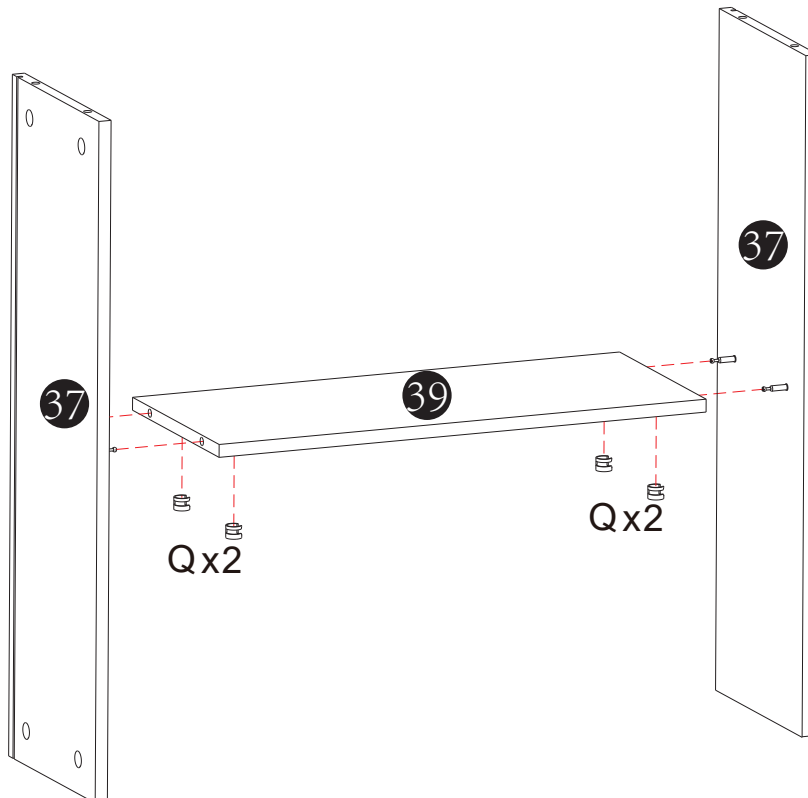
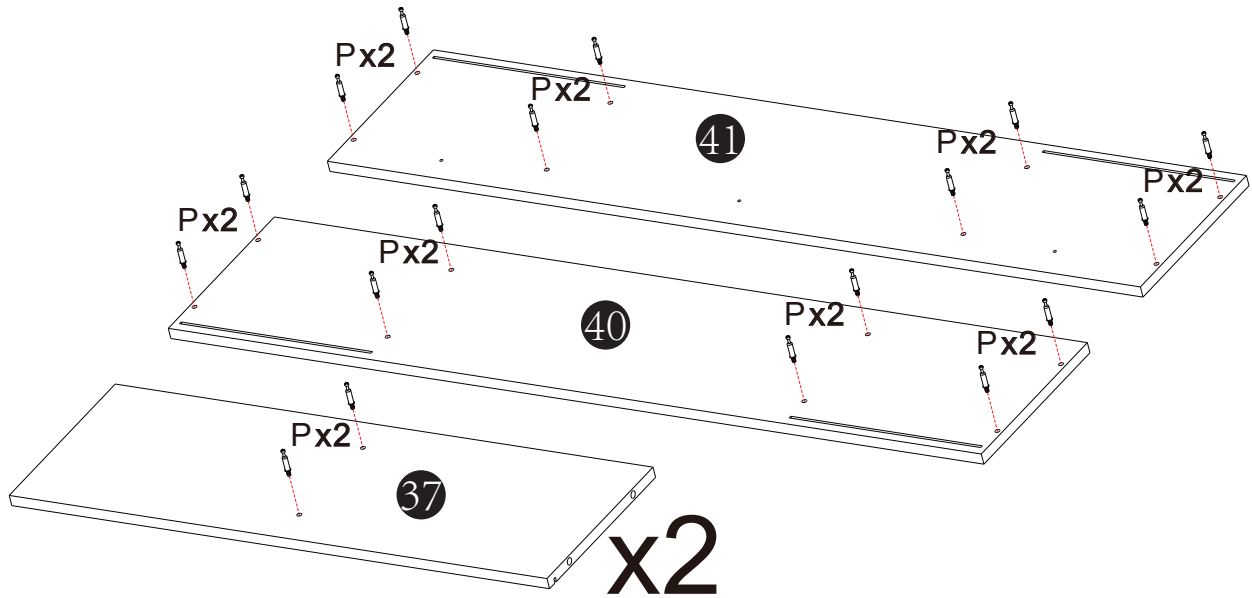
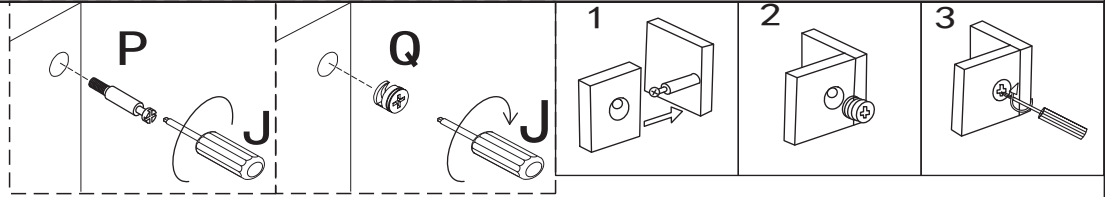
INSTALLATION INSTRUCTIONS




Schritt 26



INSTALLATION INSTRUCTIONS

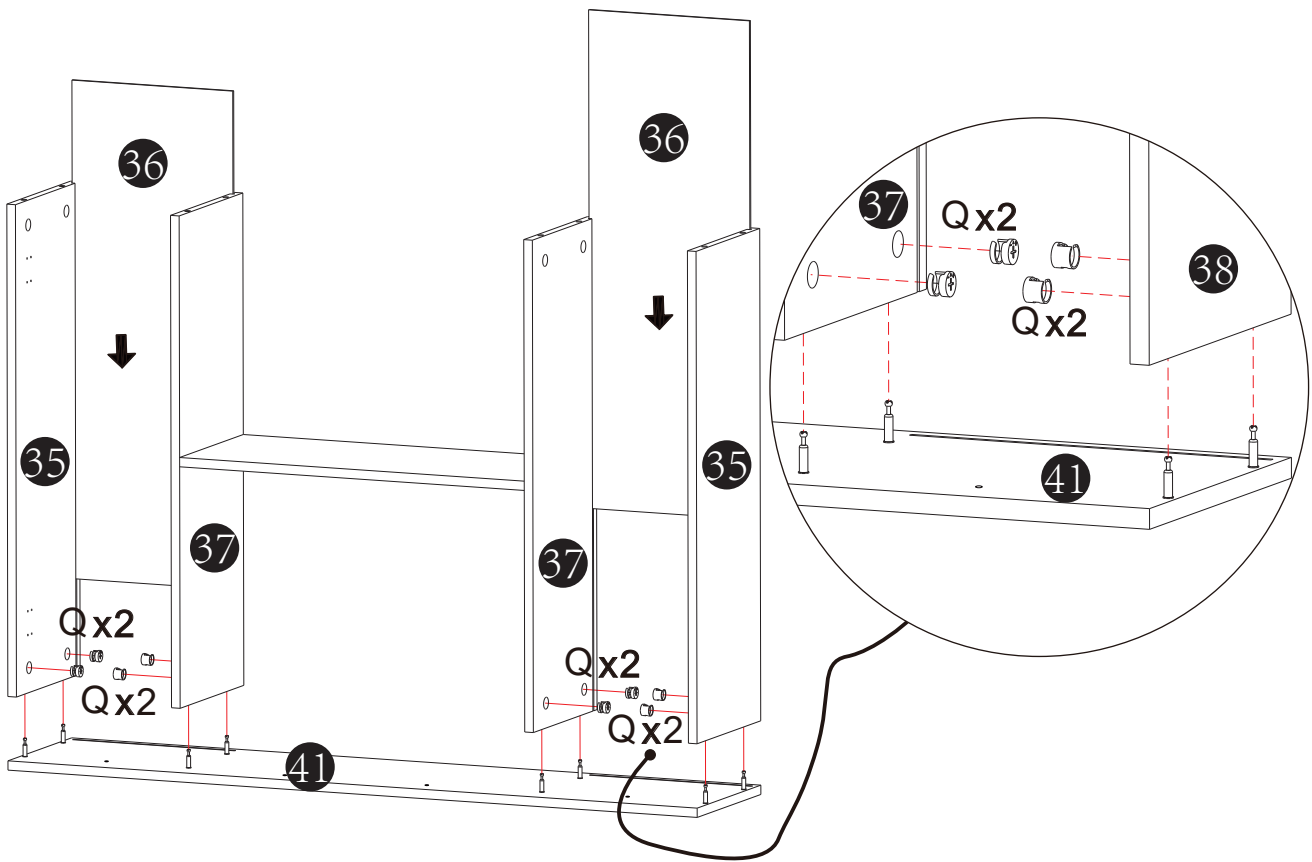
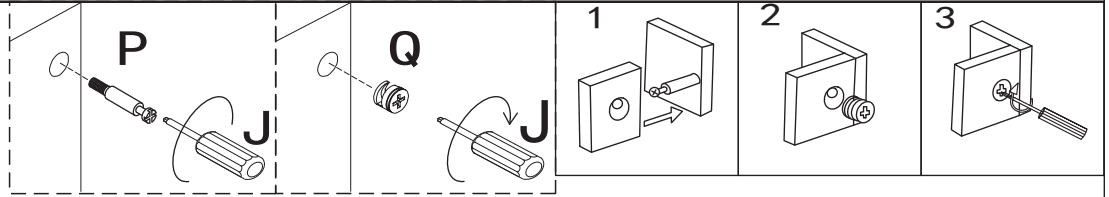
Schritt 27



			P Ø 0.6x4 	20PCS
J		1PC	Q Ø1.5x0.95 	4PCS

INSTALLATION INSTRUCTIONS

Schritt 28



J



1PC

Q

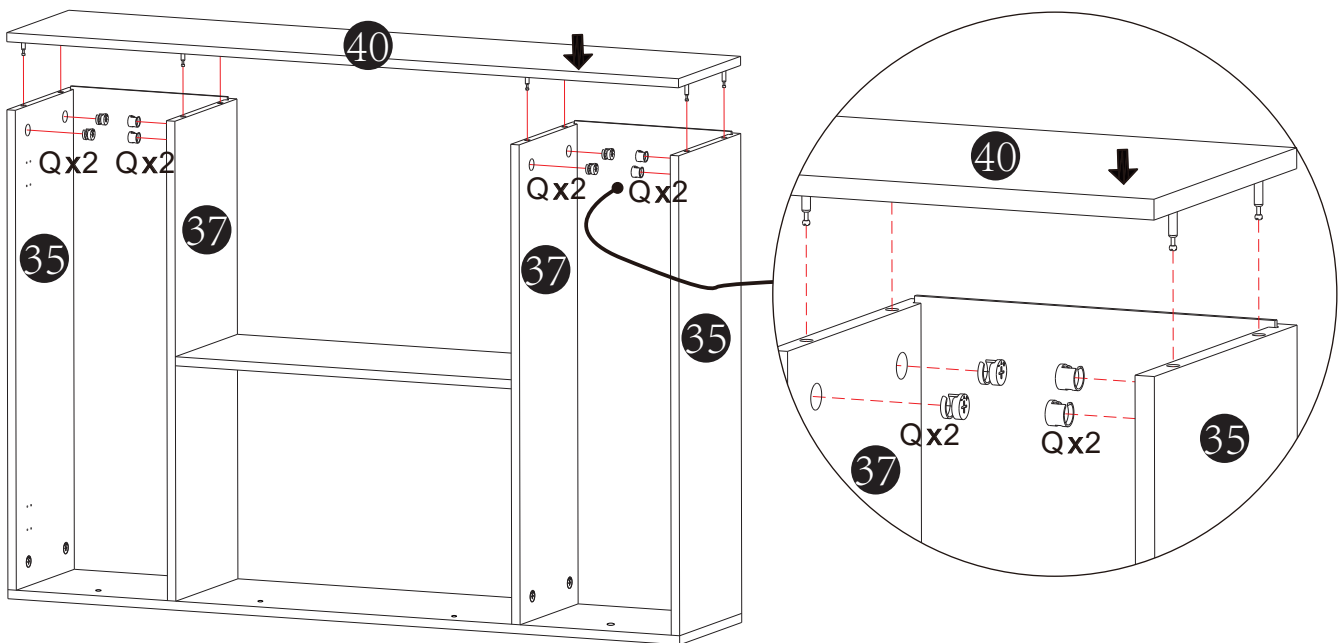
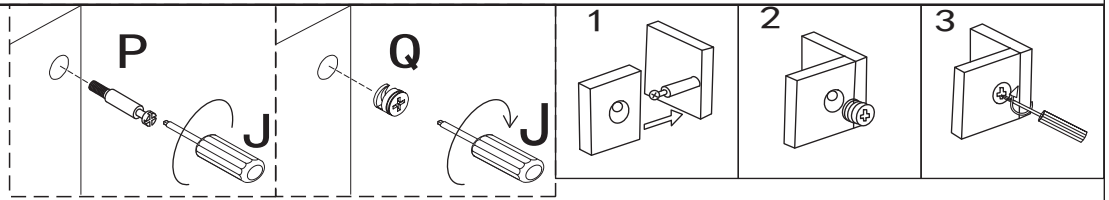
Ø1.5x0.95



8PCS

INSTALLATION INSTRUCTIONS

Schritt 29



J



1PC

Q

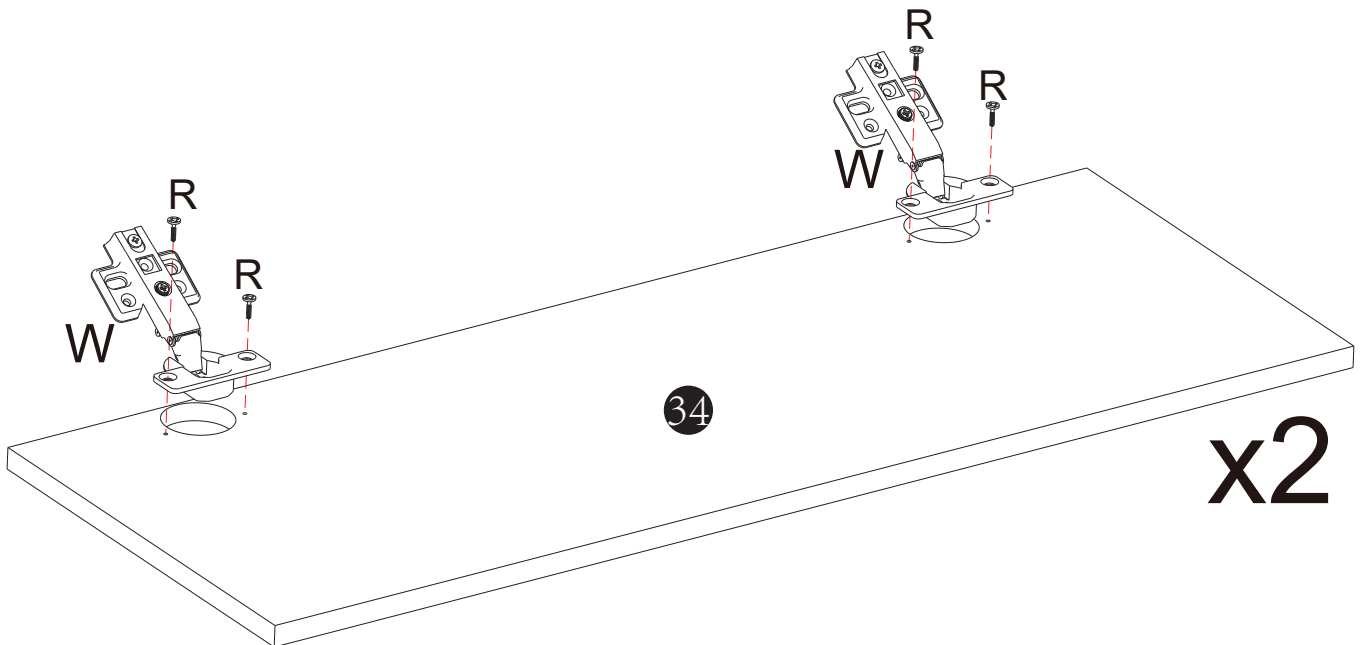
Ø1.5x0.95


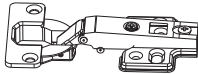



8PCS

INSTALLATION INSTRUCTIONS

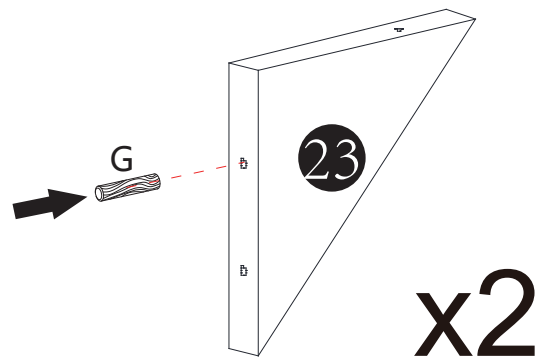
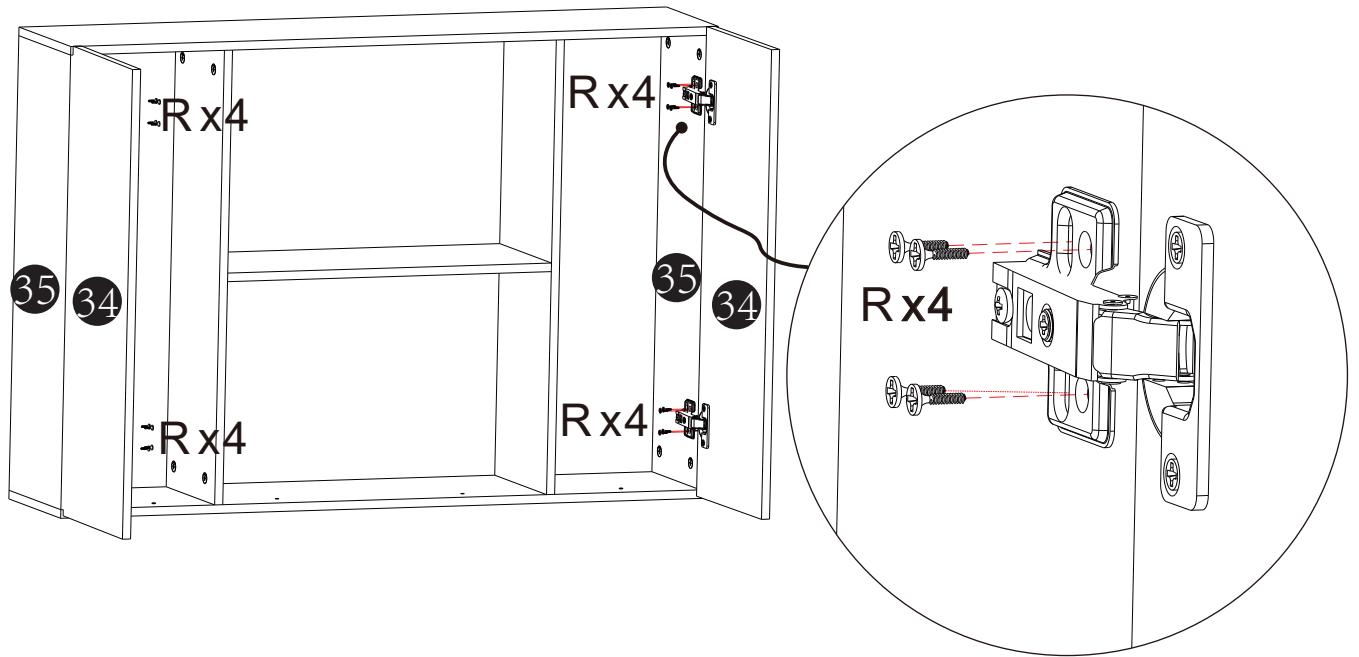
Schritt 30






J		1PC	W		4PCS
			R	Ø0.4x1.2 	8PCS

INSTALLATION INSTRUCTIONS

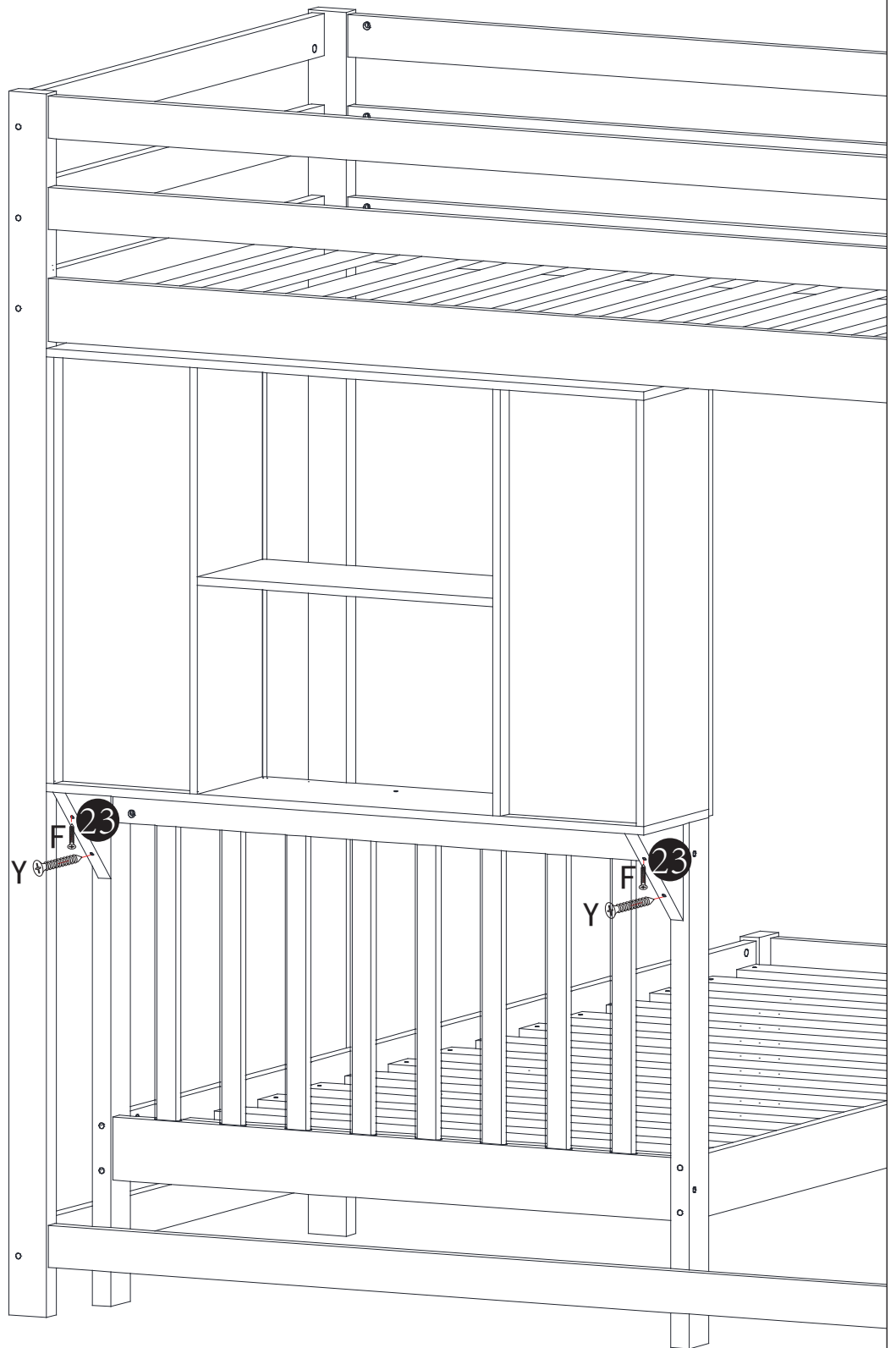
Schritt 31

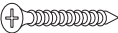
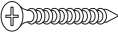



G	Ø0.8x3		2PCS			
J			1PC	R	Ø0.4x1.2	 16PCS

INSTALLATION INSTRUCTIONS

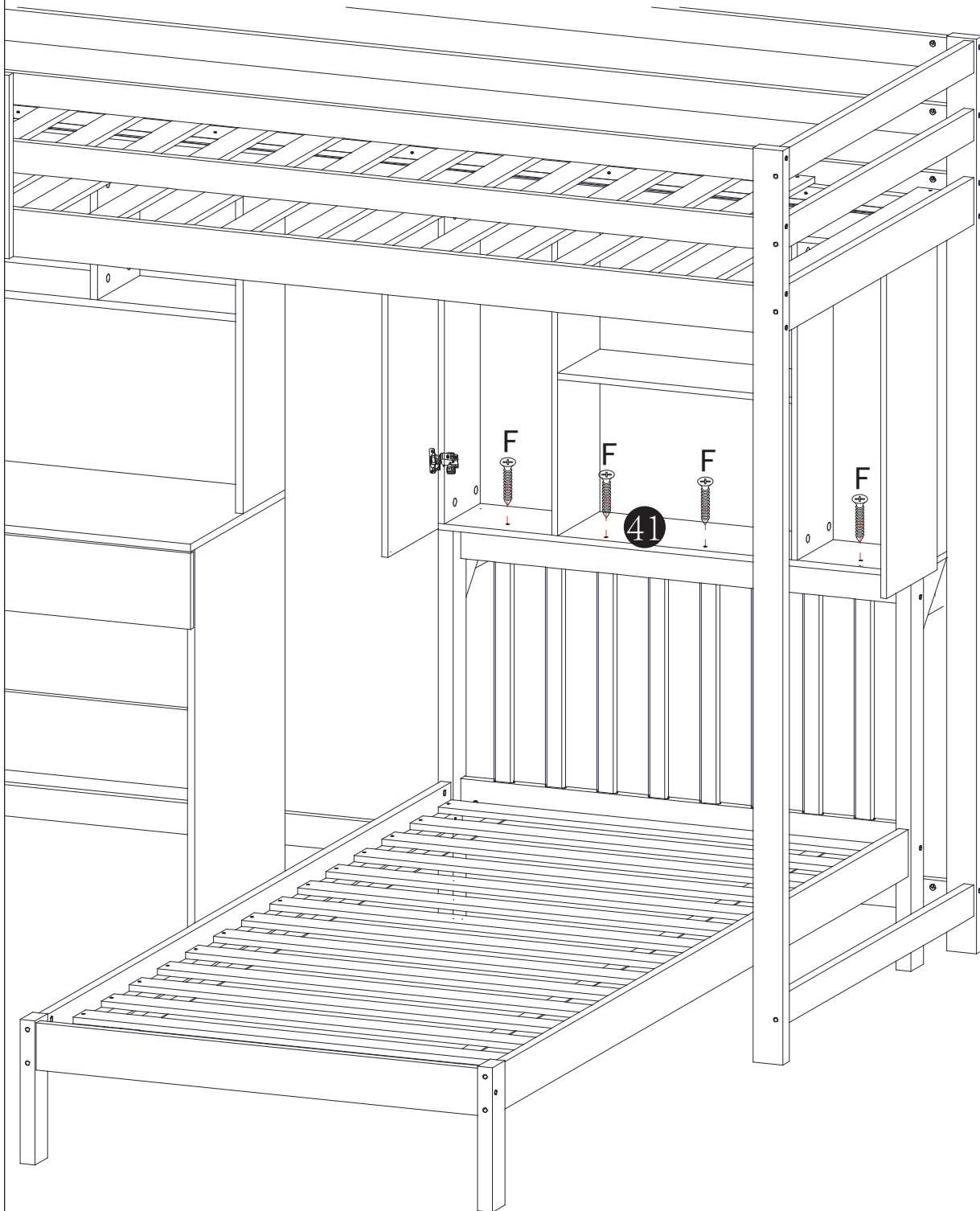
Schritt 32





Y	Ø0.4x5		2PCS			
F	Ø0.4x3		2PCS	J		1PC

INSTALLATION INSTRUCTIONS

Schritt 33



F	Ø0.4x3 	4PCS	J		1PC
----------	--	------	----------	---	-----