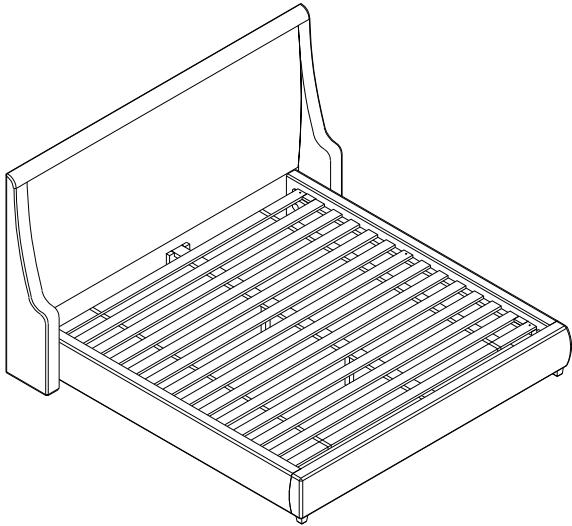


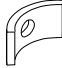

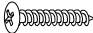



ASSEMBLY INSTRUCTION

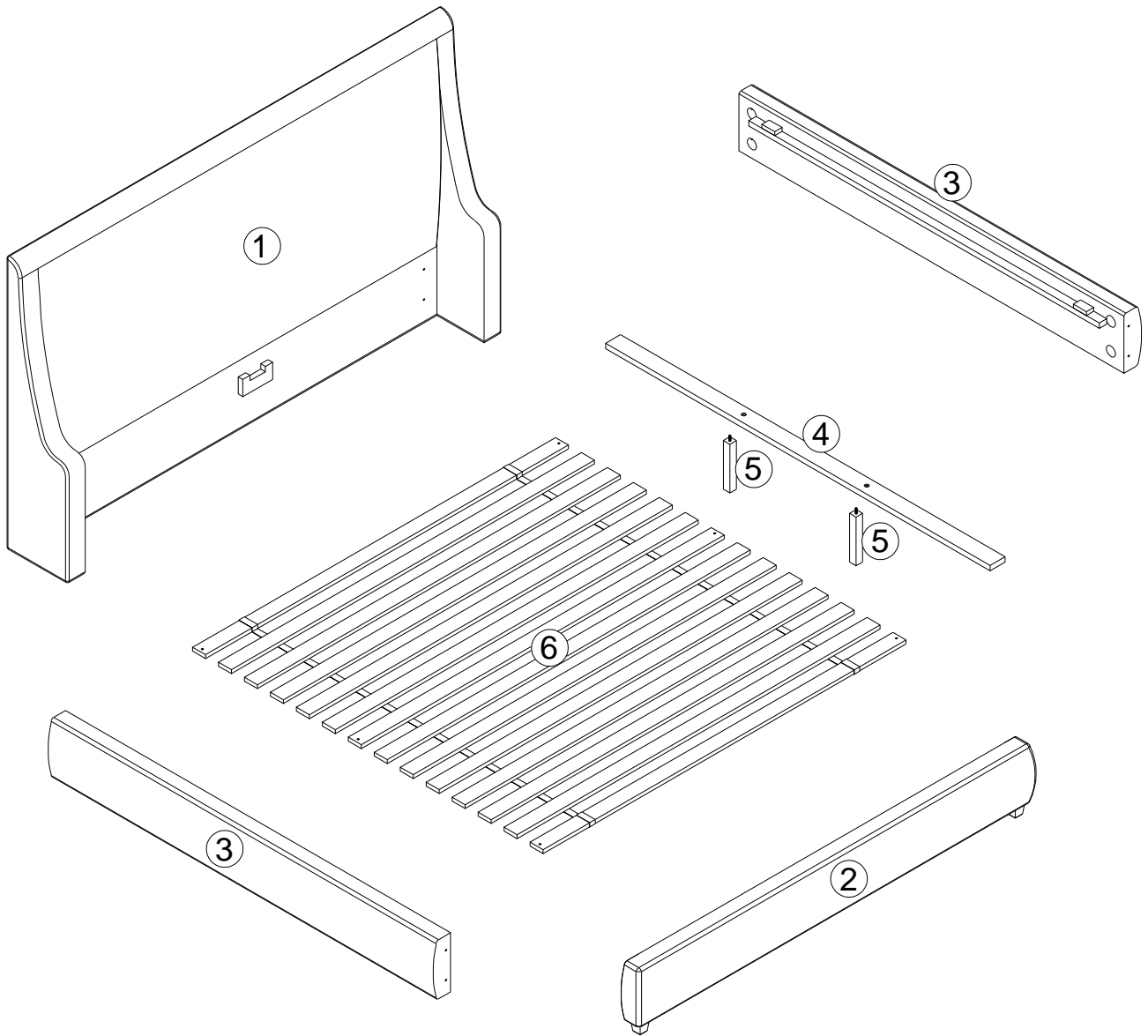
Calliope Queen Bed



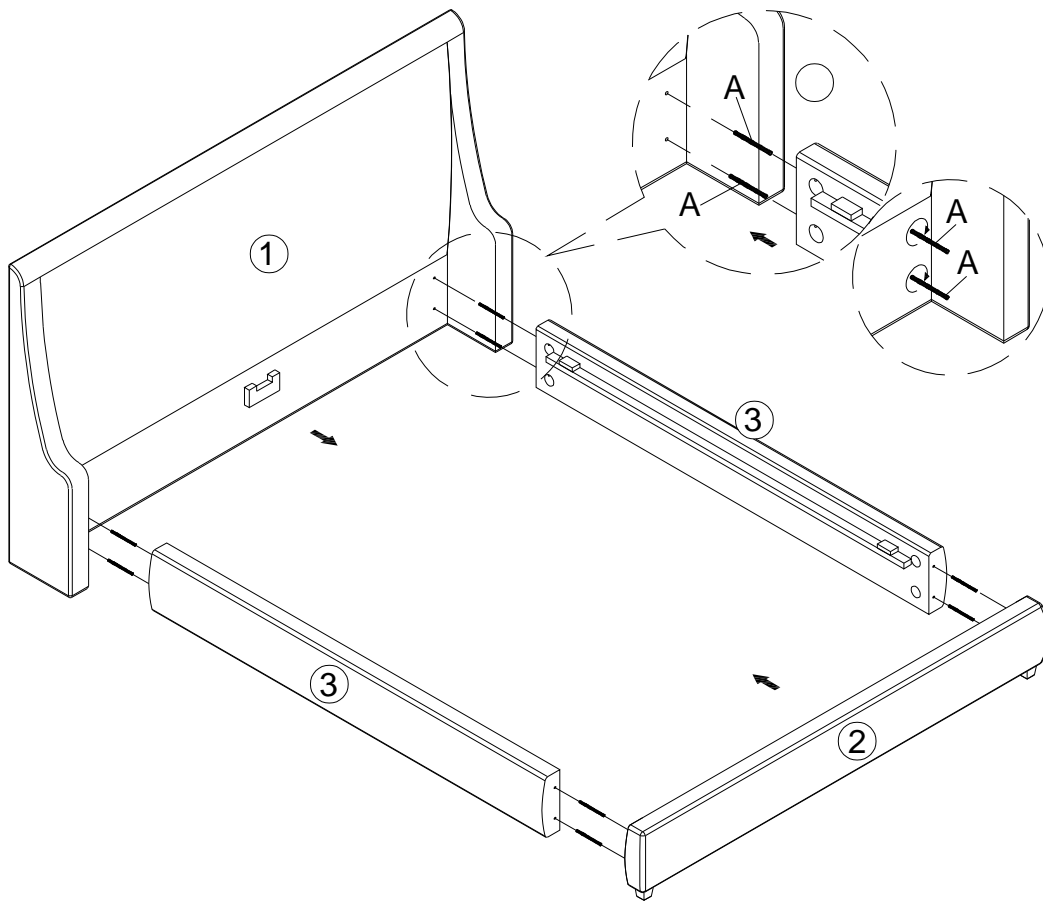
HARDWARE LIST

A		Bolt Ø8 x 100mm	8
B		Hexagon Nut Ø8 x 13mm	8
C		Acr Washer 15 x 30mm	8
D		Wrench	1
E		Wood Screw Ø4 x 25mm	6
F		Side Cover	8

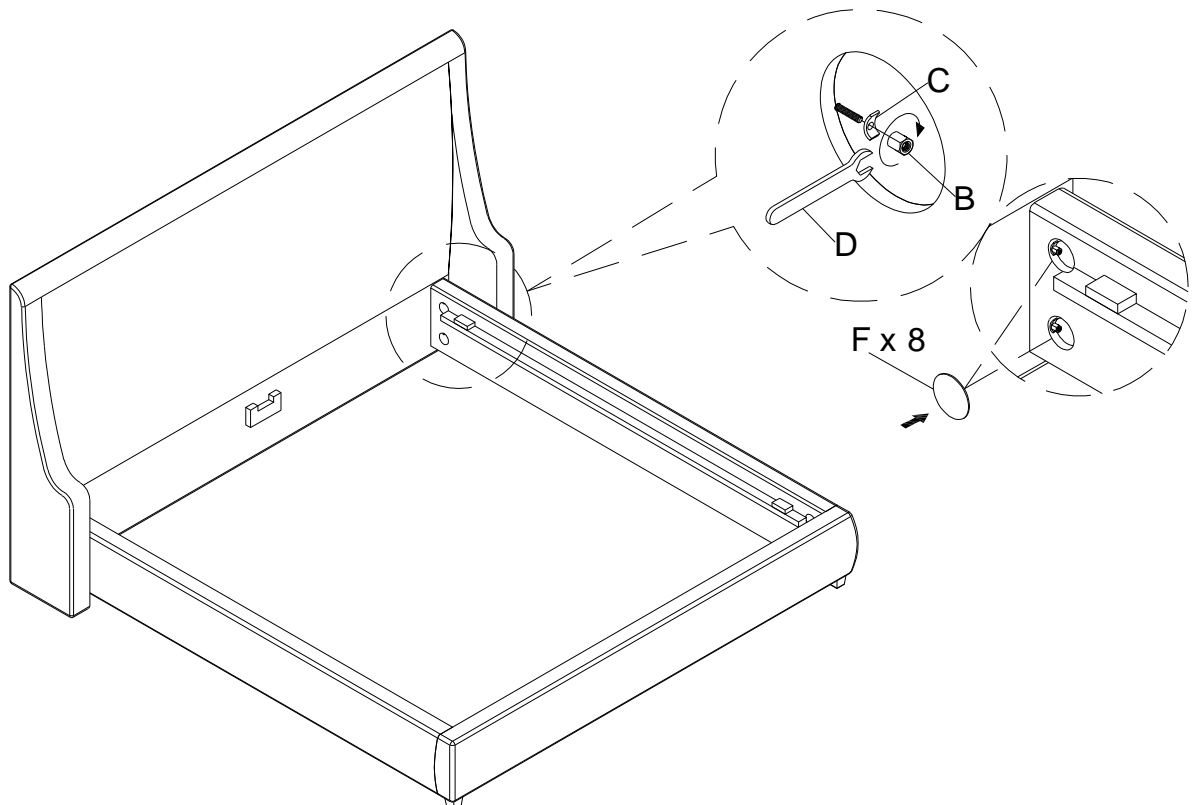
COMPONENTS



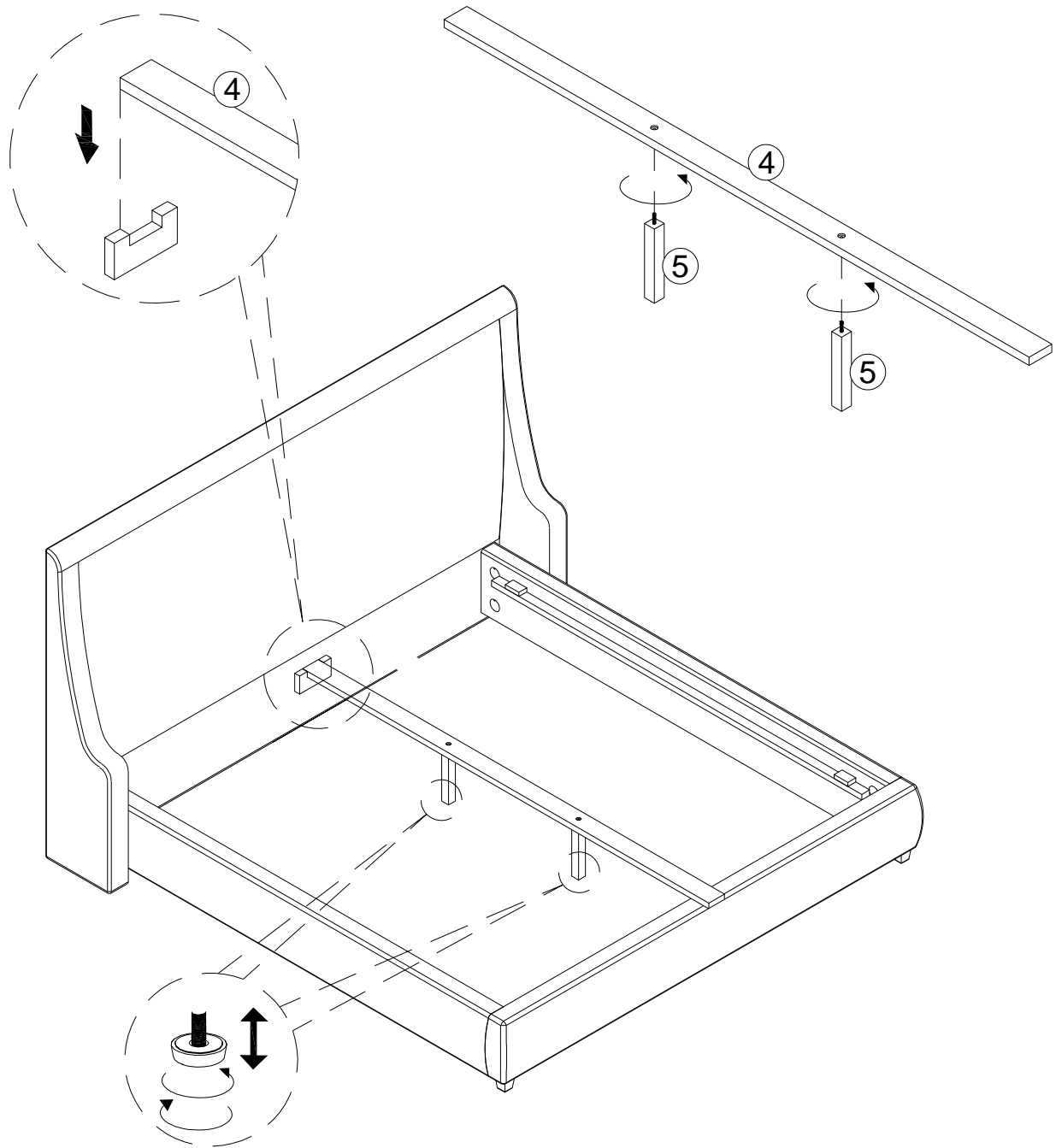
STEP: 1



STEP: 2



STEP: 3



Adjusting Floor Levelers

Your furniture has been expertly crafted and pre-adjusted by professionals. However, slight shifts can occur during transportation. If you notice that the doors are not perfectly aligned or the furniture wobbles, a quick adjustment can help ensure stability and a seamless look.

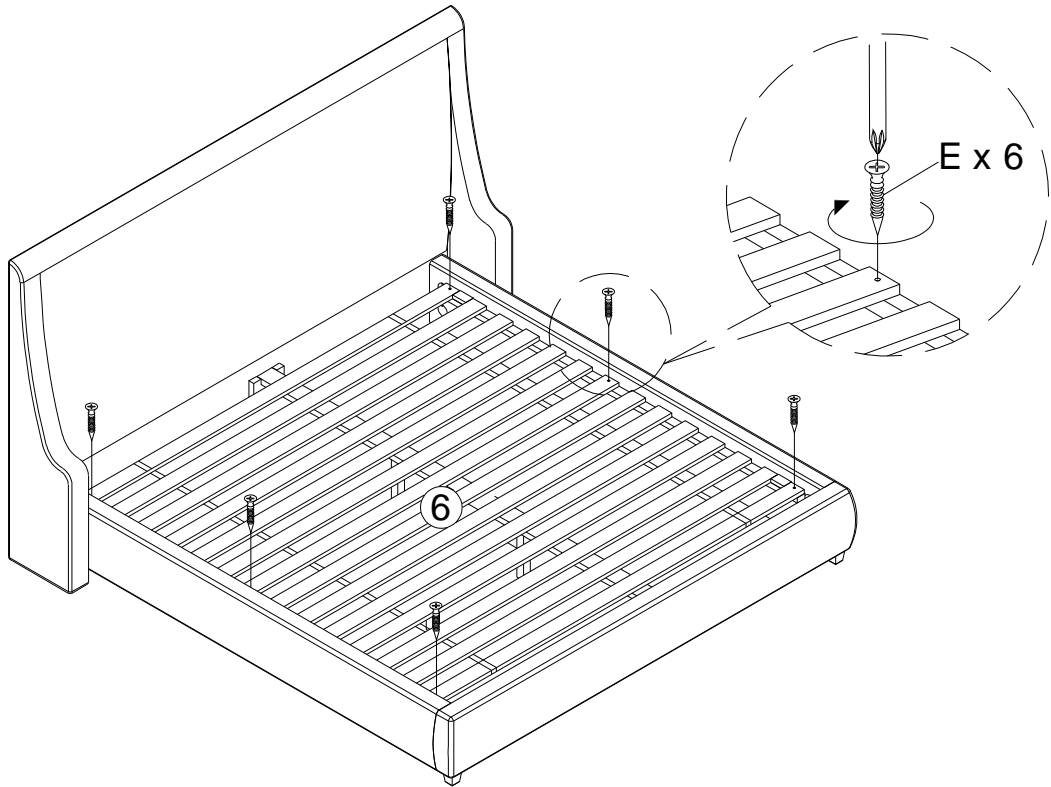
Adjust the Floor Levelers

Check for Stability - Place the furniture in its final position on a level surface. If it wobbles or doesn't sit evenly, the floor levelers need adjusting.

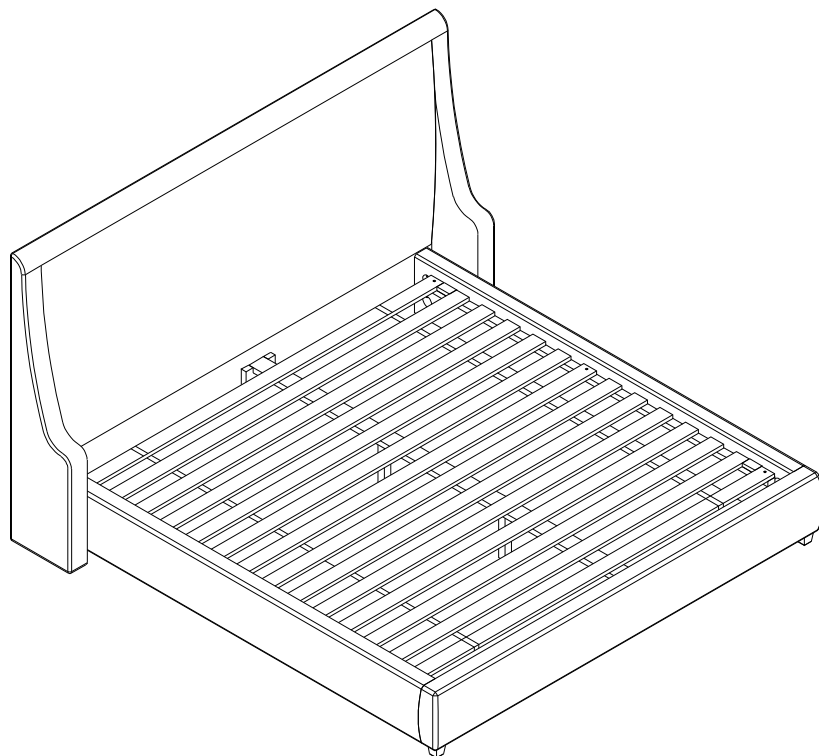
Locate the Levelers - These are small adjustable feet found at the bottom corners of your furniture.

Adjust as Needed - Using your hand or a wrench, turn the levelers clockwise to raise or counterclockwise to lower the furniture. Make small adjustments and check stability after each turn.

STEP: 4



STEP: 5



FINISHED