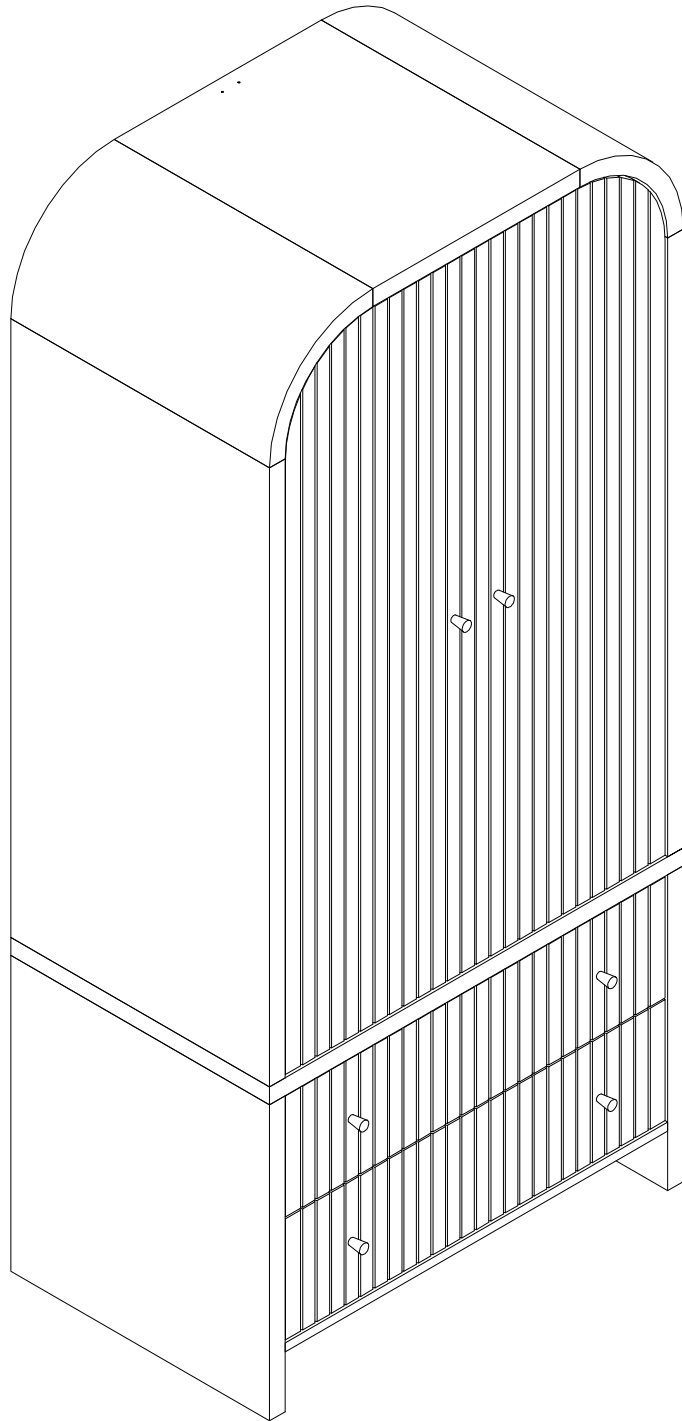


Assembly Instructions

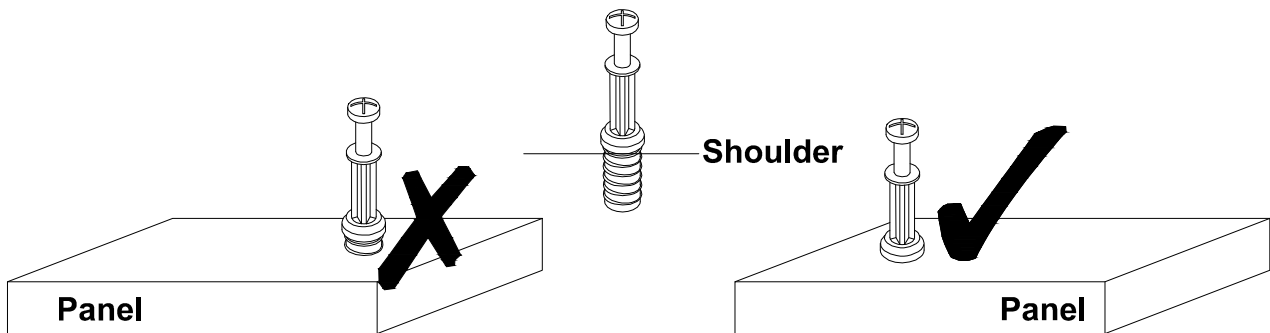


Before Assembly

Tips Before Your Start:

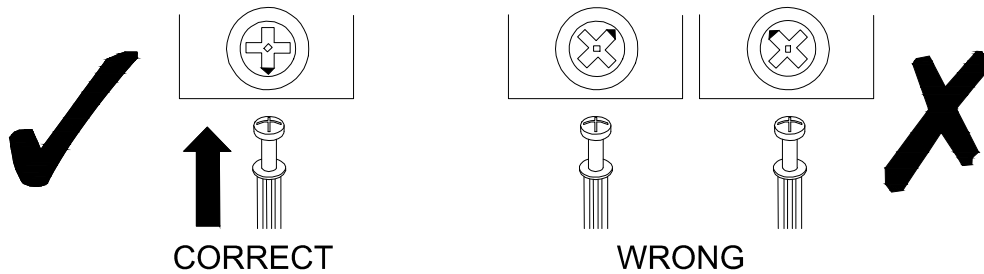
- Remove all wrapping material, including staples & packing straps before you start to assemble.
- DO NOT tighten all screws and bolts until the assembly is completely assembled.
- Keep all hardware parts out of reach of children.

QUICKFIT



Tighten quickfit until shoulder is flush with panel. Do not overtighten or undertighten.

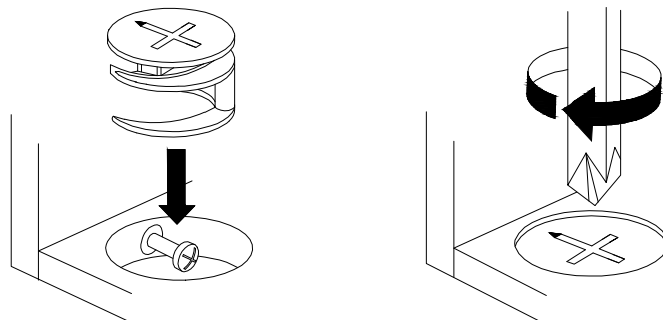
CAM LOCK



When fitting a cam lock, ensure the starting position is correct before inserting the connecting QUI CKFIT

Quickfit head should be in the centre of the cam lock when the two panels are joined.

Cam lock should be inserted before quickfit.

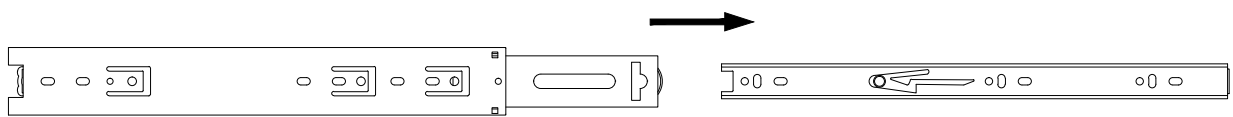
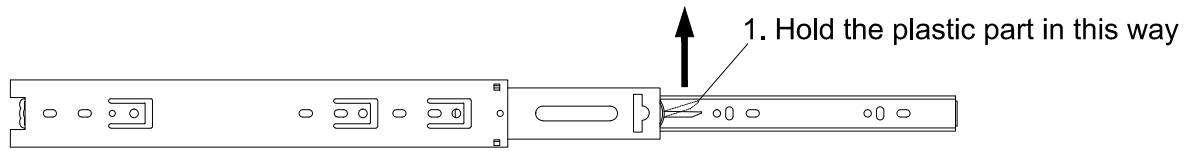


Turn cam lock clockwise to tighten.

Before Assembly

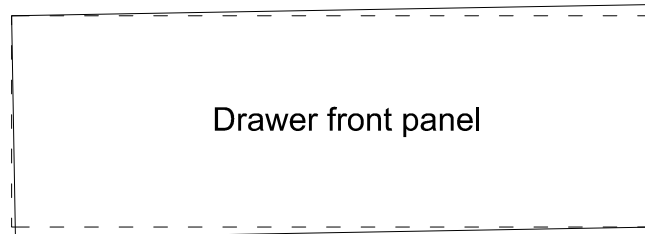
Tips Before Your Start

How to separate the drawer slider:

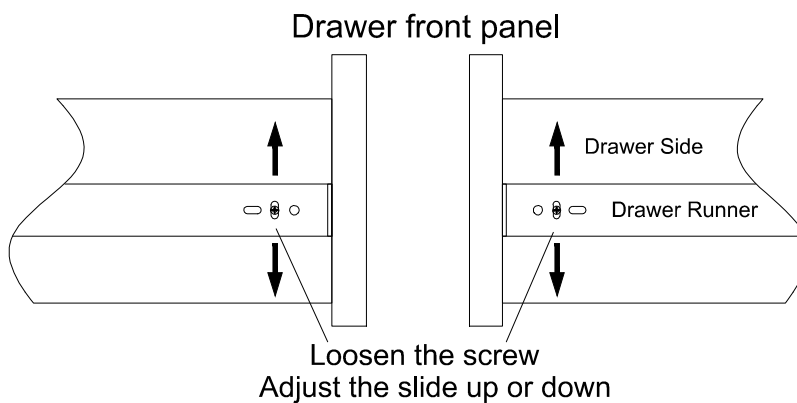


2. Pull out the inner slider for drawer box fixing

Drawer Front Alignment




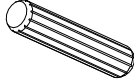
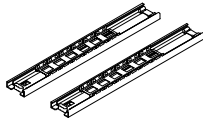
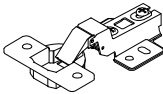
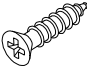
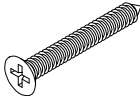

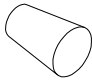
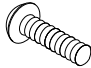

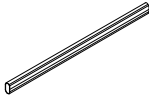
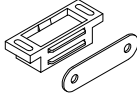
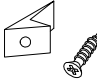
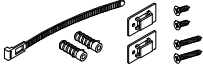


If the drawer front panel is NOT level after being assembled, then...

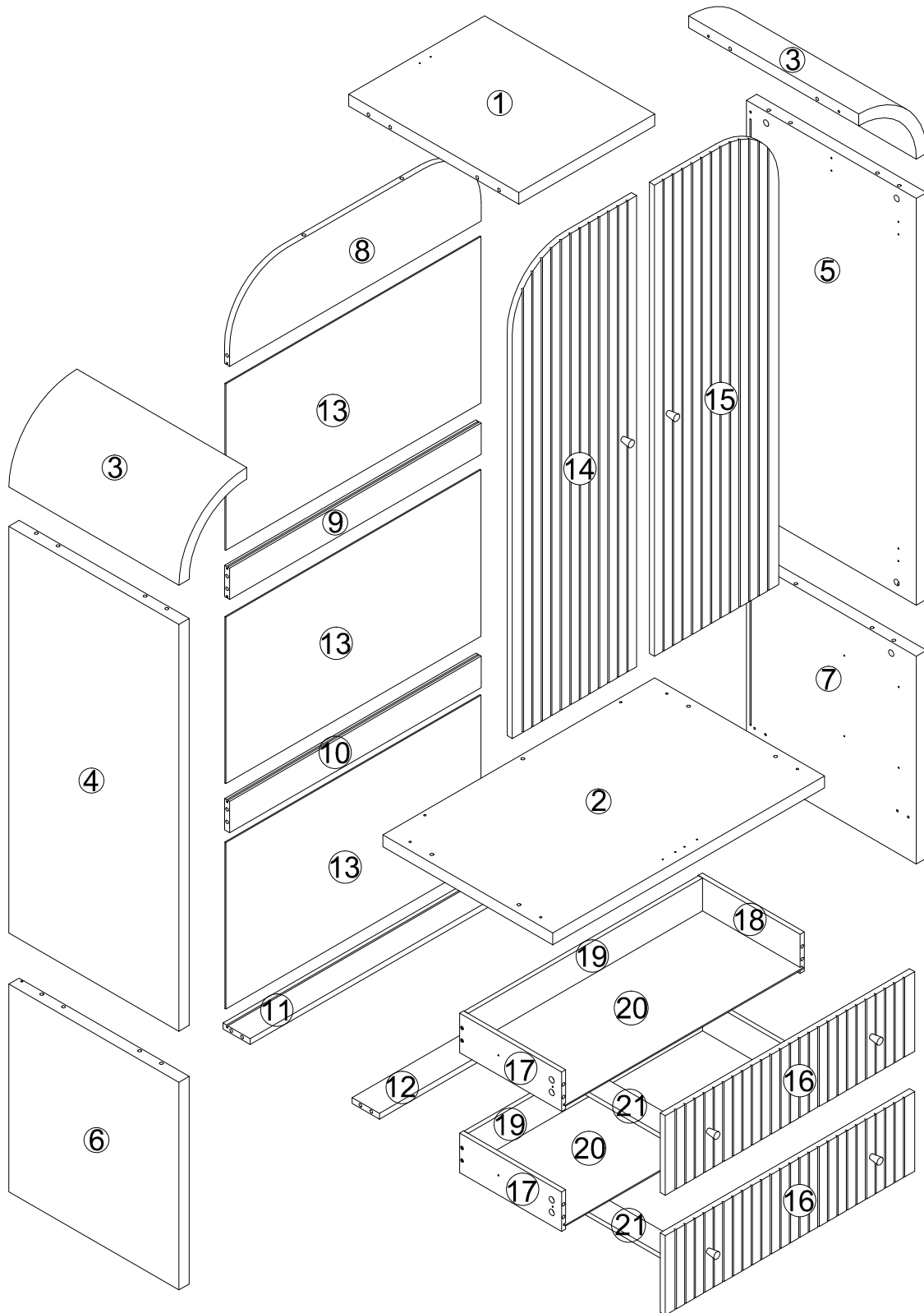


Loosen the screws on the left and right hand side, then adjust the drawer slide up or down, until the drawer fronts are even/level, then tighten the screws.

Part List

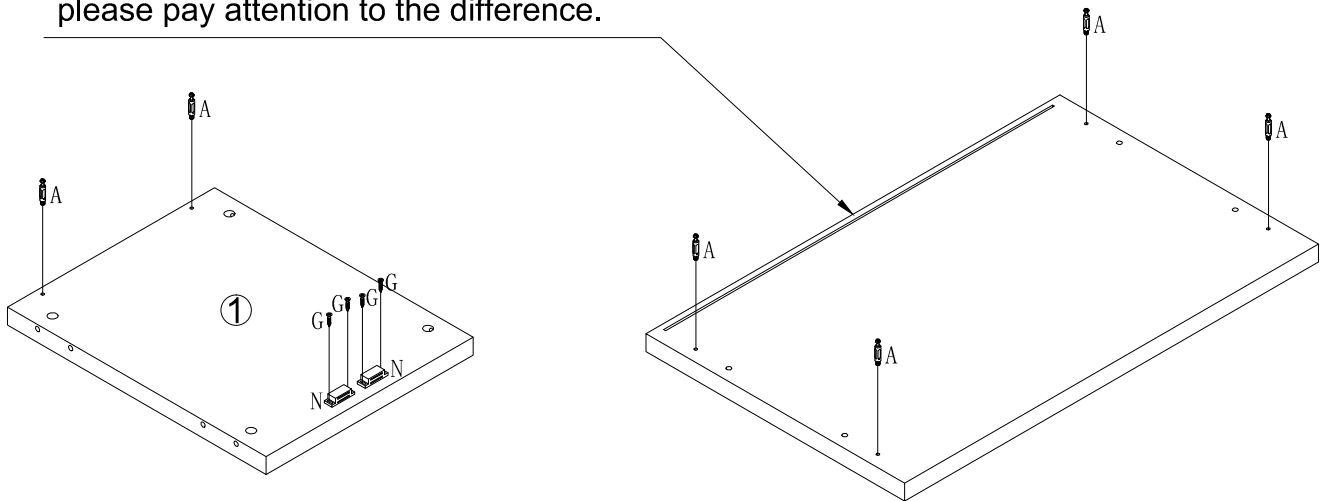
<p>No. A Quantity: 54 Pcs Cam Lock Dowel 8*28mm</p> 	<p>No. B Quantity: 54 Pcs Cam φ15</p> 	<p>No. C Quantity: 54 Pcs Sticker Ø20</p> 	<p>No. D Quantity: 17 Pcs Dowel 8*30mm</p> 
<p>No. E Quantity: 2 Sets Drawer Slider 10"</p> 	<p>No. F Quantity: 4 Pcs Hinge</p> 	<p>No. G Quantity: 60 Pcs Screw M3.5*12mm</p> 	<p>No. H Quantity: 8 Pcs Screw M4*30mm</p> 
<p>No. I Quantity: 4 Pcs Foot Pad Ø15</p> 	<p>No. J Quantity: 6 Pcs Handle</p> 	<p>No. K Quantity: 6 Pcs Screw M4*20mm</p> 	<p>No. L Quantity: 2 Pcs Pothook</p> 
<p>No. M Quantity: 1 Pcs Supporting Rod 730*28*15mm</p> 	<p>No. N Quantity: 4 Sets Magnetic Door Catcher</p> 	<p>No. O Quantity: 12 Sets Plastic Wedge</p> 	<p>No. P Quantity: 1 Sets Anti-falling Parts</p> 

Product structure



STEP 1

Note: This block has holes on both sides, please pay attention to the difference.



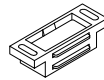
No. A
Quantity: 6 Pcs
8*28 mm



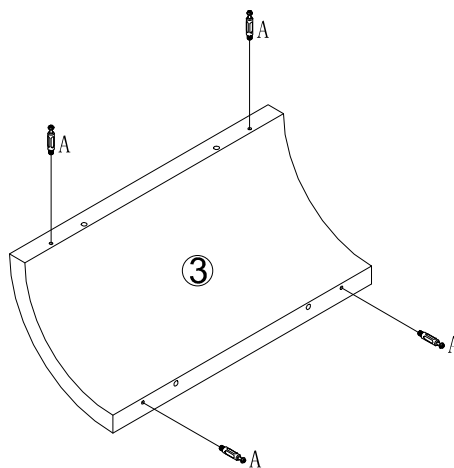
No. G
Quantity: 4 Pcs
M3.5*12mm



No. N
Quantity: 2 Pcs



STEP 2

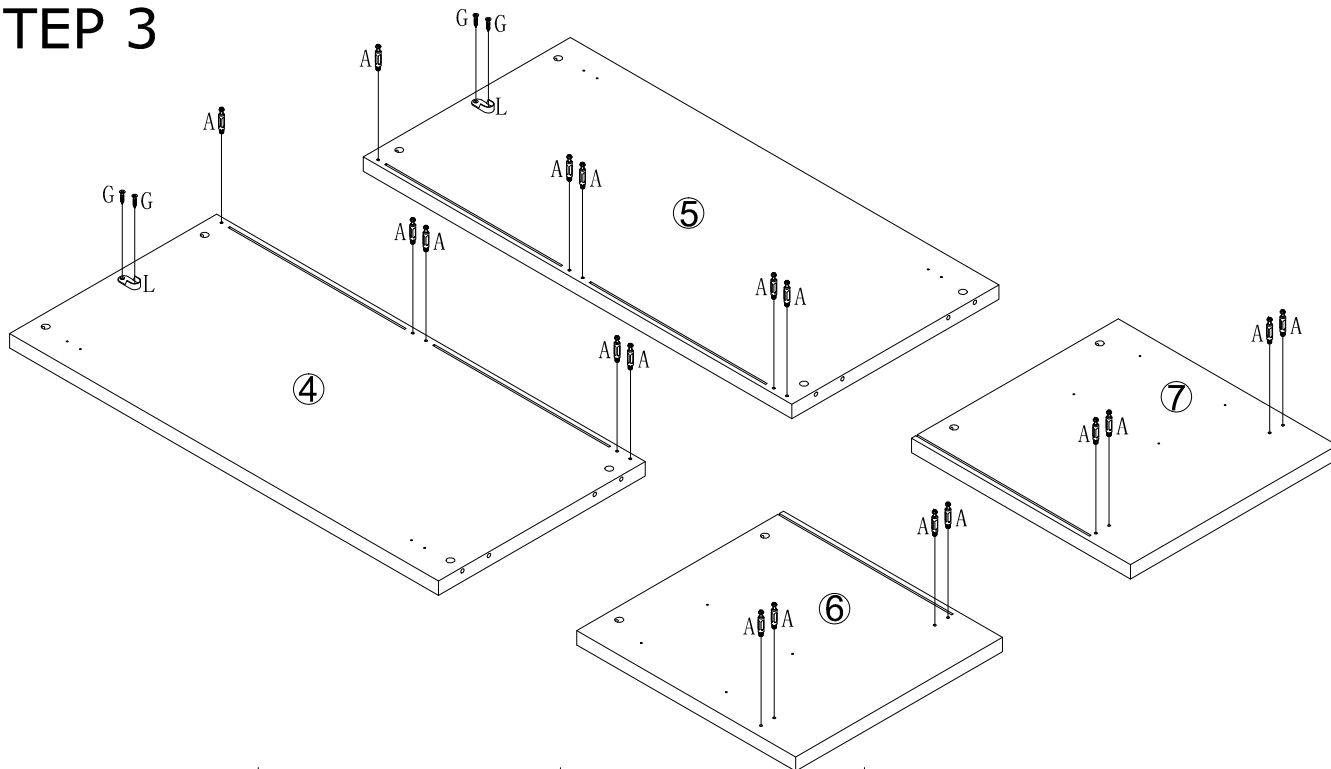


No. A
Quantity: 8 Pcs
8*28 mm



x2

STEP 3



No. A
Quantity: 18 Pcs
8*28 mm



No. G
Quantity: 4 Pcs
M3.5*12mm



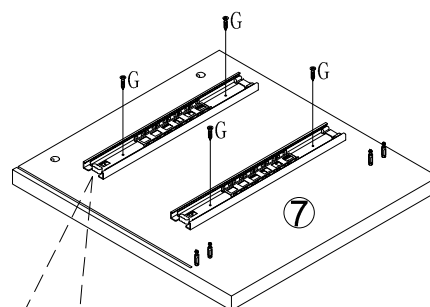
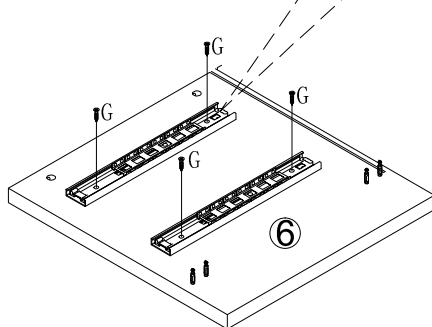
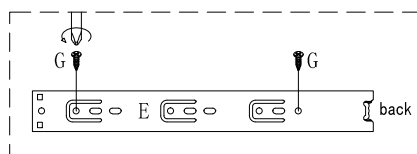
No. L
Quantity: 2 Pcs



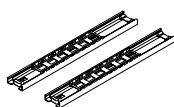
STEP 4



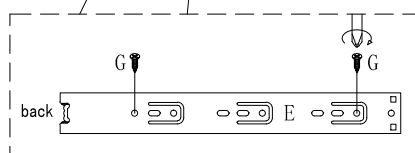
The first screw hole should correspond with the board location hole



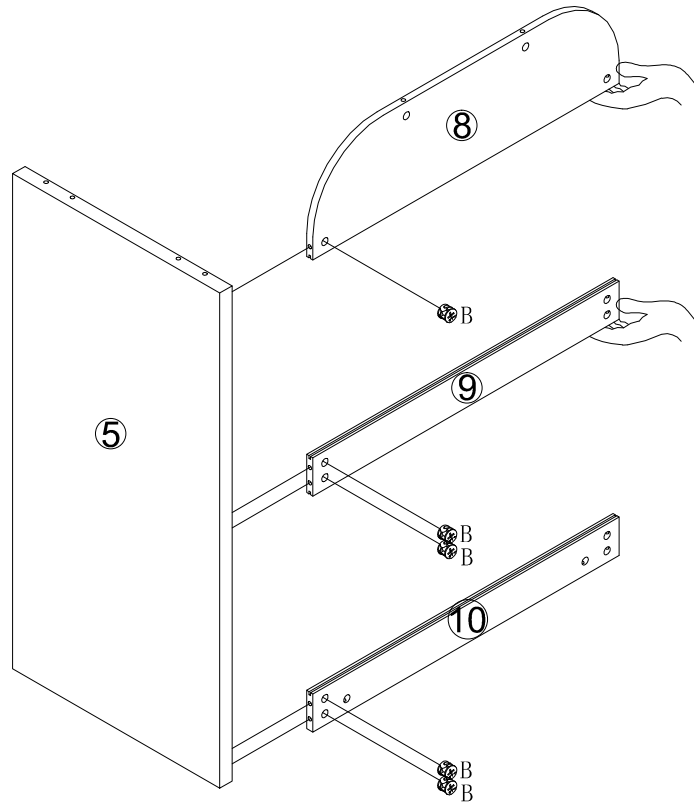
No. E
Quantity: 2 Sets
10"



No. G
Quantity: 8 Pcs
M3.5*12mm



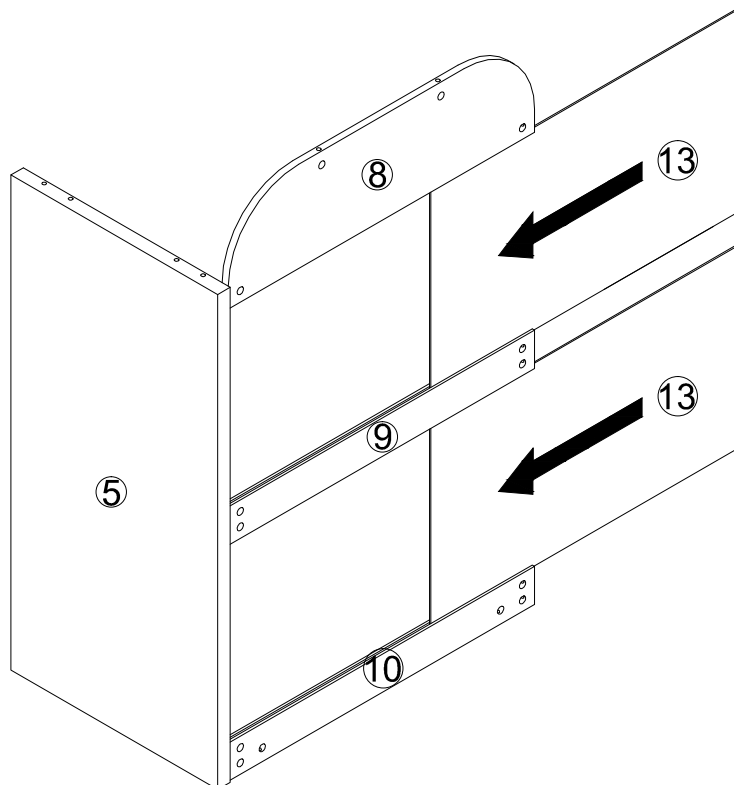
STEP 5



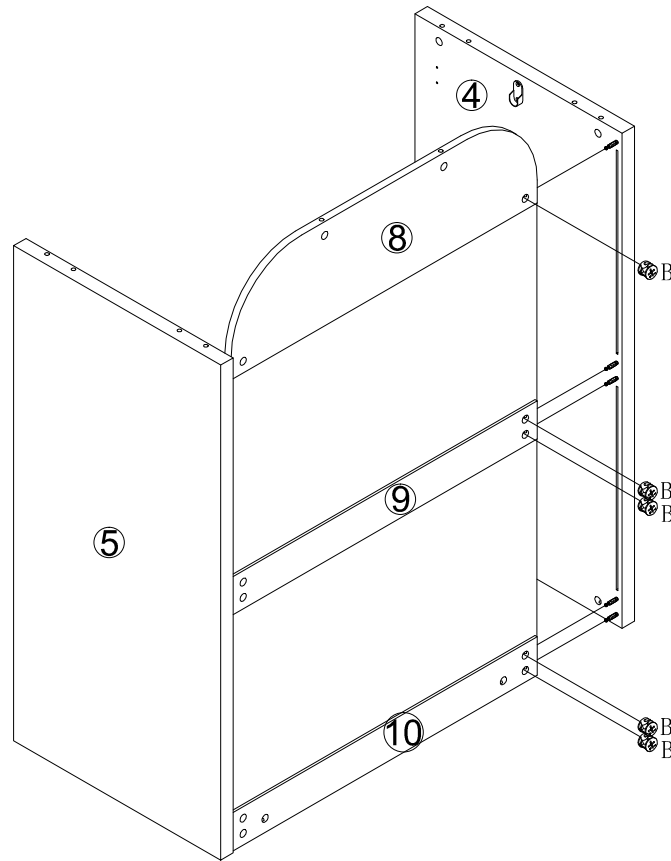
No. B
Quantity: 5 Pcs
Ø15



STEP 6



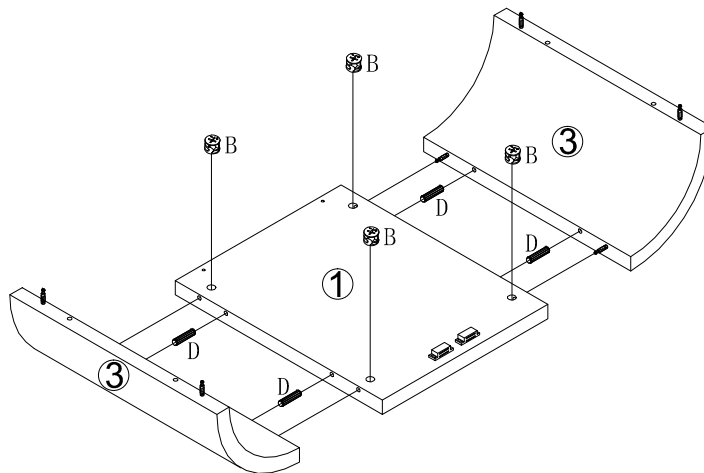
STEP 7



No. B
Quantity: 5 Pcs
Ø15



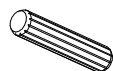
STEP 8



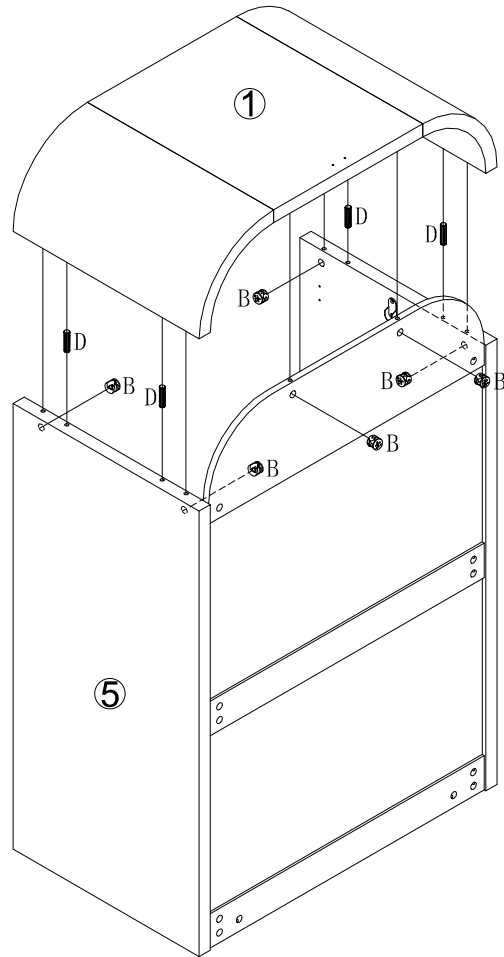
No. B
Quantity: 4 Pcs
Ø15



No. D
Quantity: 4 Pcs
8*30mm



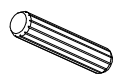
STEP 9



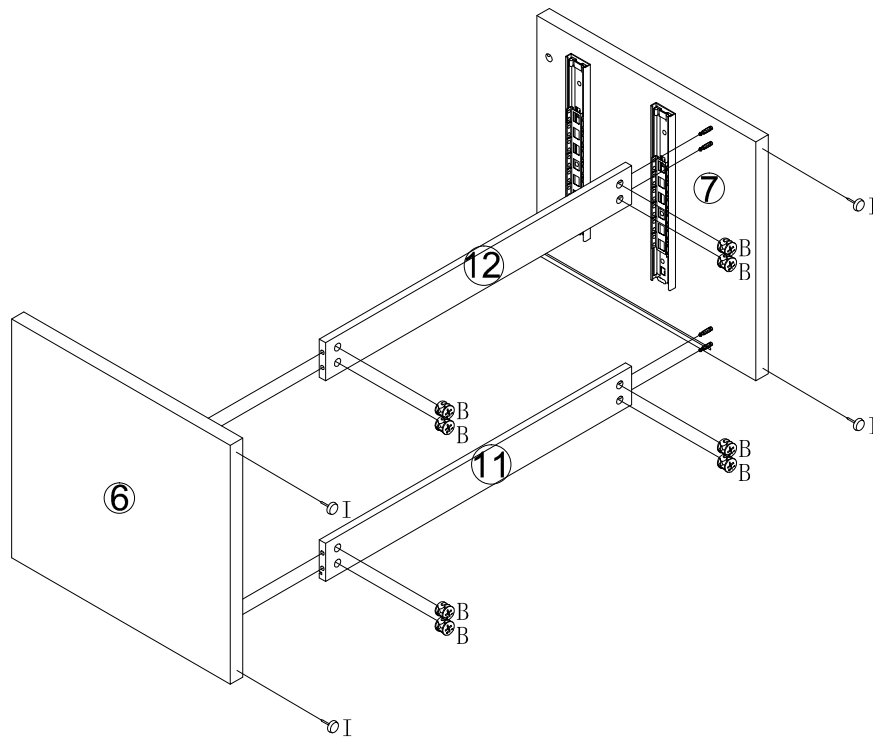
No. B
Quantity: 6 Pcs
Ø15



No. D
Quantity: 4 Pcs
8*30mm



STEP 10



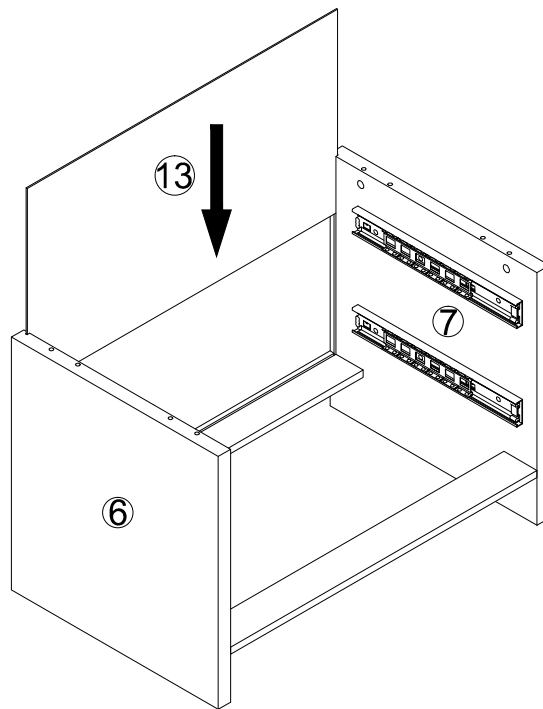
No. B
Quantity: 8 Pcs
Ø15



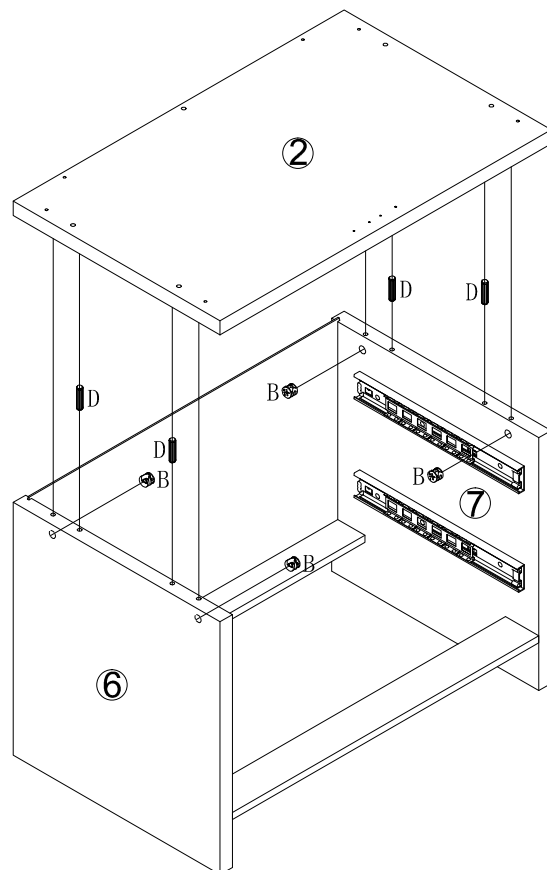
No. I
Quantity: 4 Pcs
Ø15



STEP 11



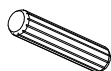
STEP 12



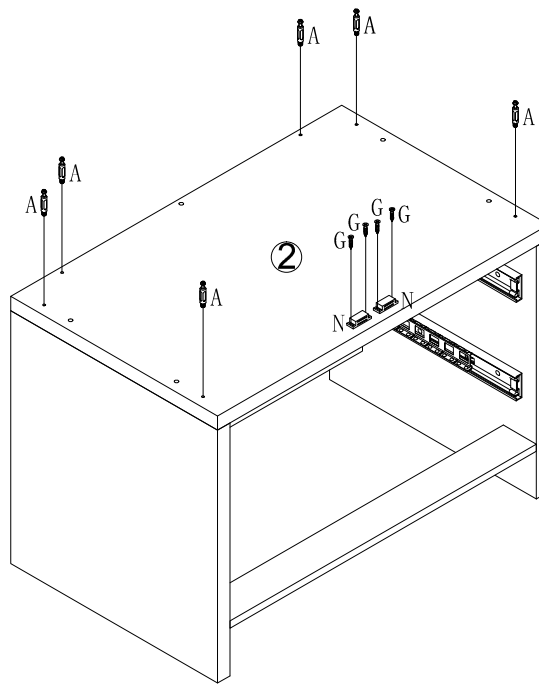
No. B
Quantity: 4 Pcs
Ø15



No. D
Quantity: 4 Pcs
8*30mm



STEP 13



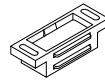
No. A
Quantity: 6 Pcs
8*28 mm



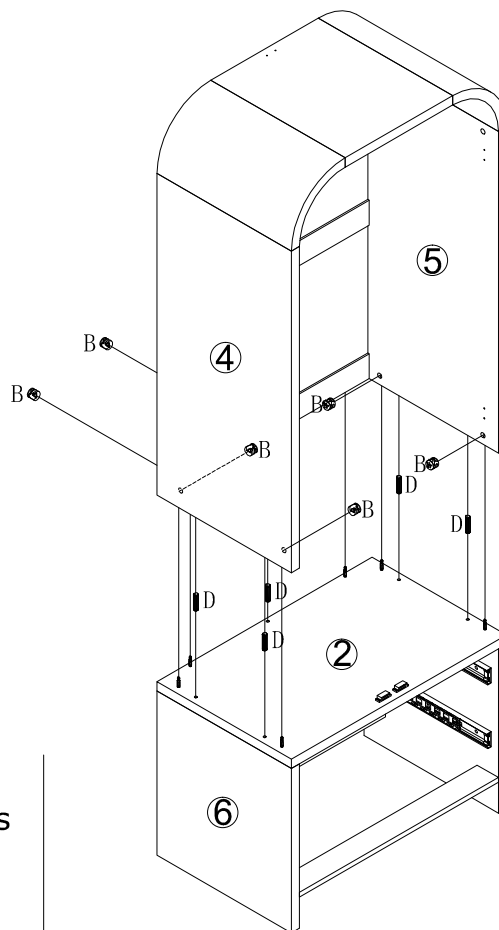
No. G
Quantity: 4 Pcs
M3.5*12mm



No. N
Quantity: 2 Pcs



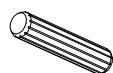
STEP 14



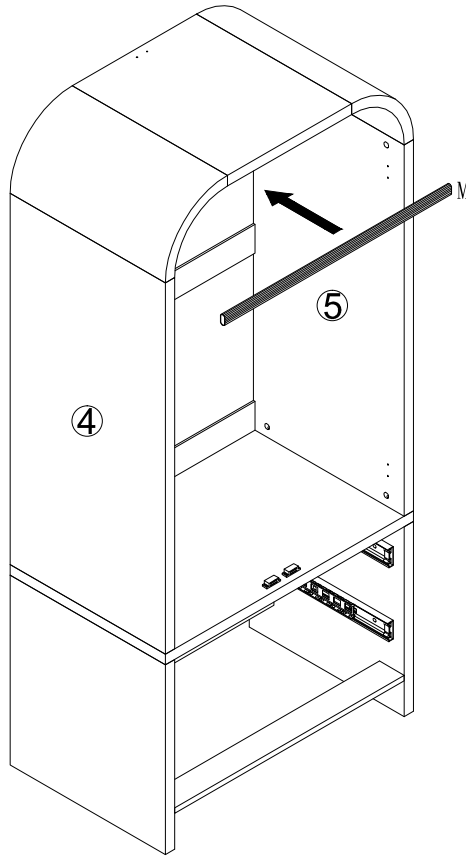
No. B
Quantity: 6 Pcs
Ø15



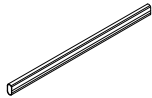
No. D
Quantity: 5 Pcs
8*30mm



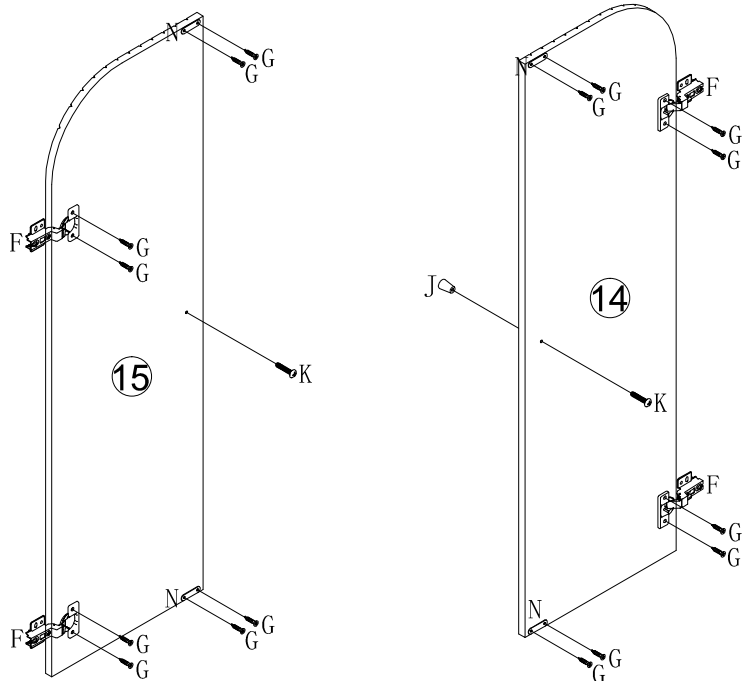
STEP 15



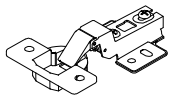
No. M
Quantity: 1 Pcs
730*28*15mm



STEP 16



No. F
Quantity: 4 Pcs



No. J
Quantity: 2 Pcs



No. G
Quantity: 16 Pcs
M3.5*12mm



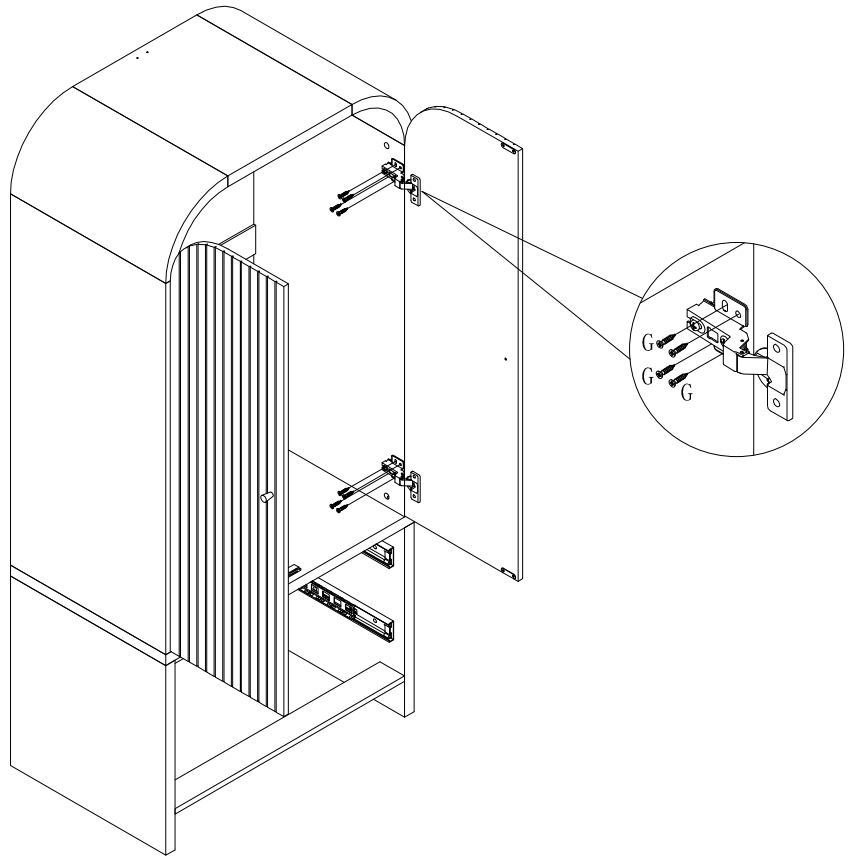
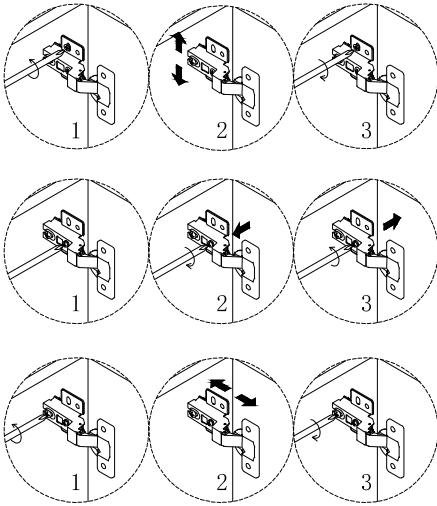
No. K
Quantity: 2 Pcs
M4*20mm



No. N
Quantity: 4 Pcs



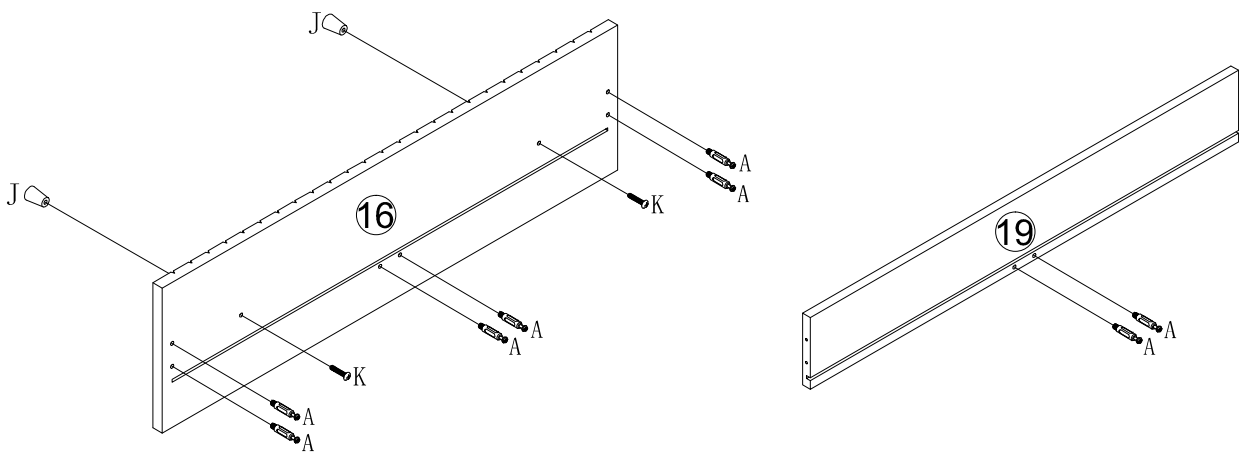
STEP 17



No. G
Quantity: 16 Pcs
M3.5*12mm



STEP 18



No. A
Quantity: 16 Pcs
8*28 mm



No. J
Quantity: 4 Pcs
Handle

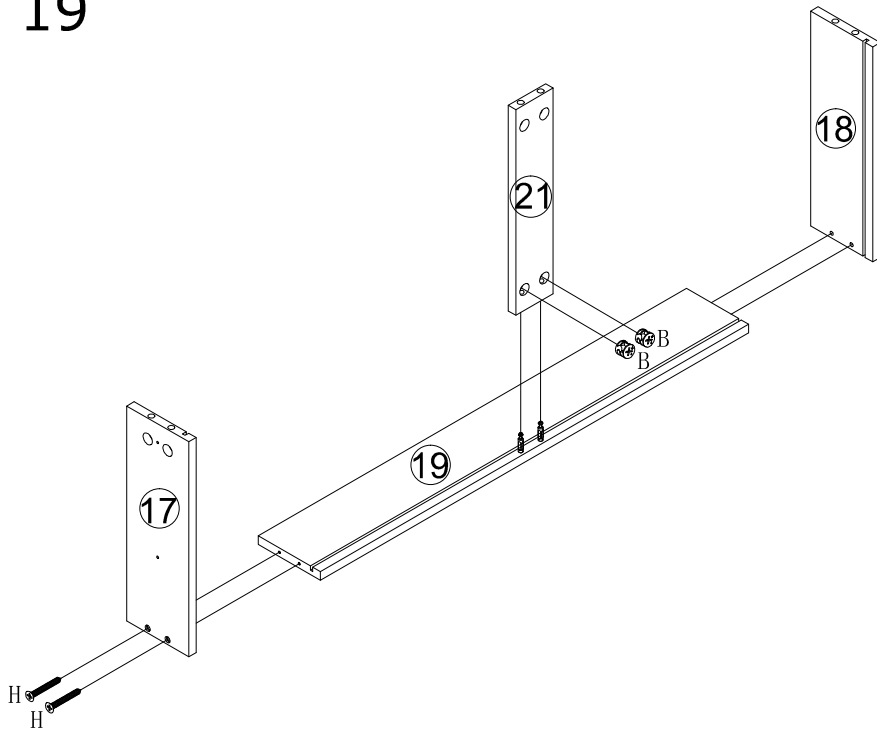


No. K
Quantity: 4 Pcs
M4*20mm



x2

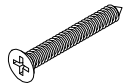
STEP 19



No. B
Quantity: 4 Pcs
Ø15

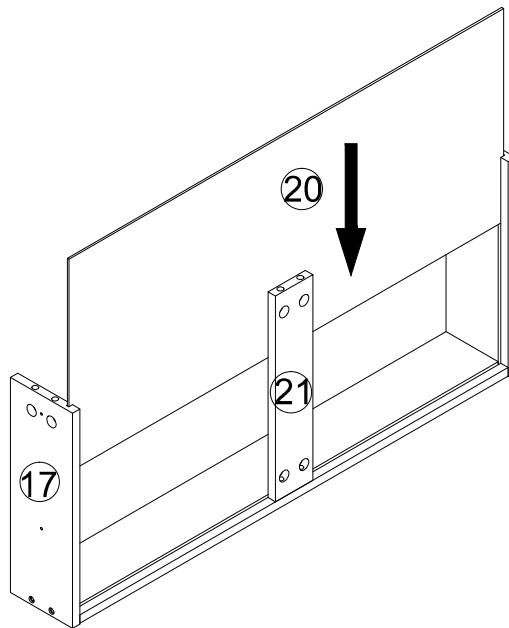


No. H
Quantity: 8 Pcs
M4*30mm



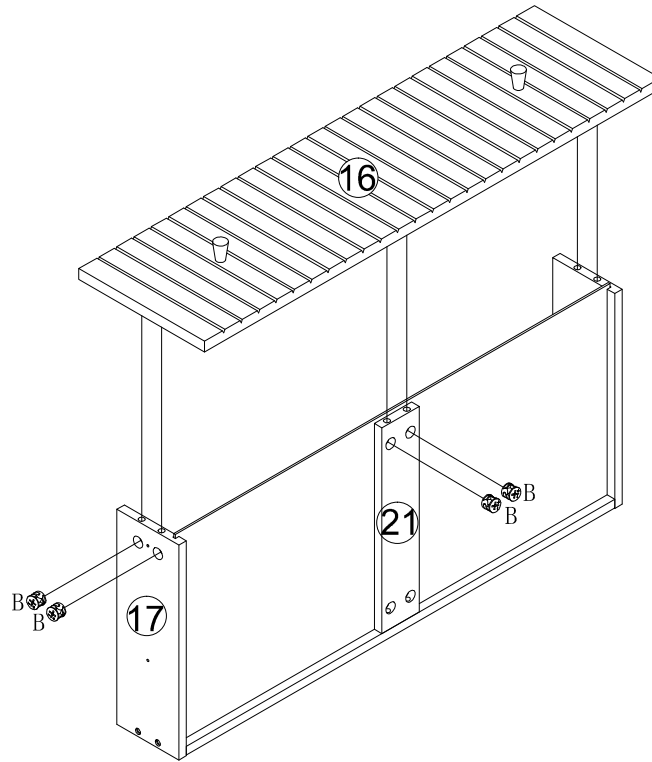
×2

STEP 20



×2

STEP 21



No. B
Quantity: 12 Pcs
Ø15

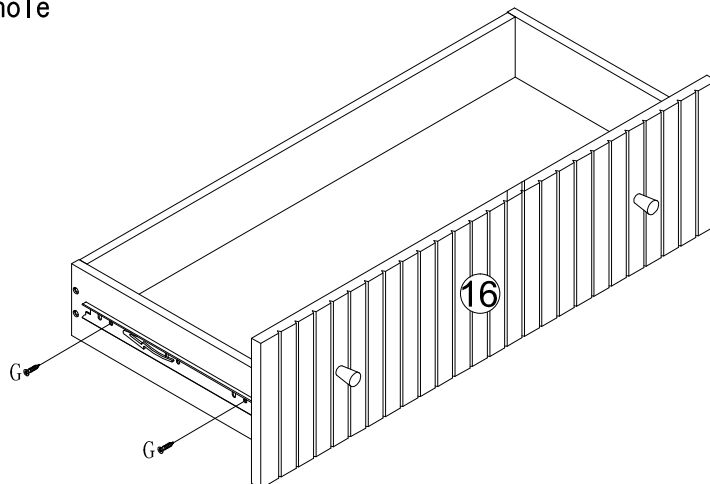


x2

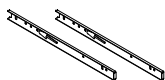
STEP 22



The first screw hole should corresponded with the board location hole



No. E
Quantity: 2 Sets
10"

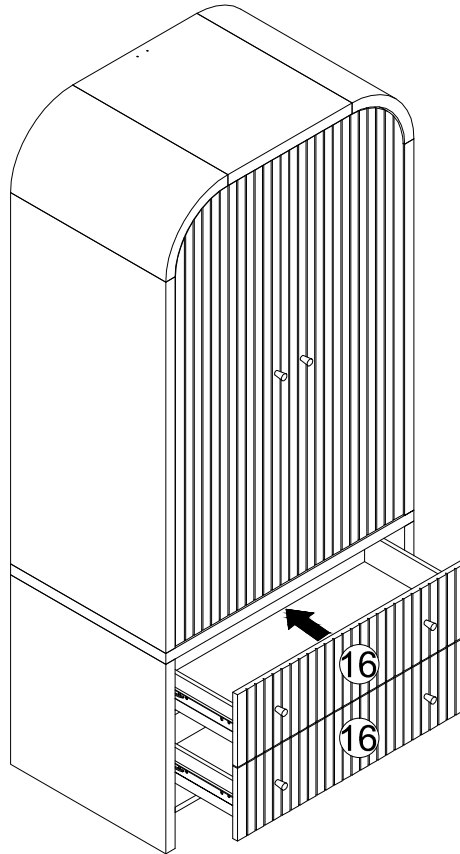


No. G
Quantity: 8 Pcs
M3.5*12mm

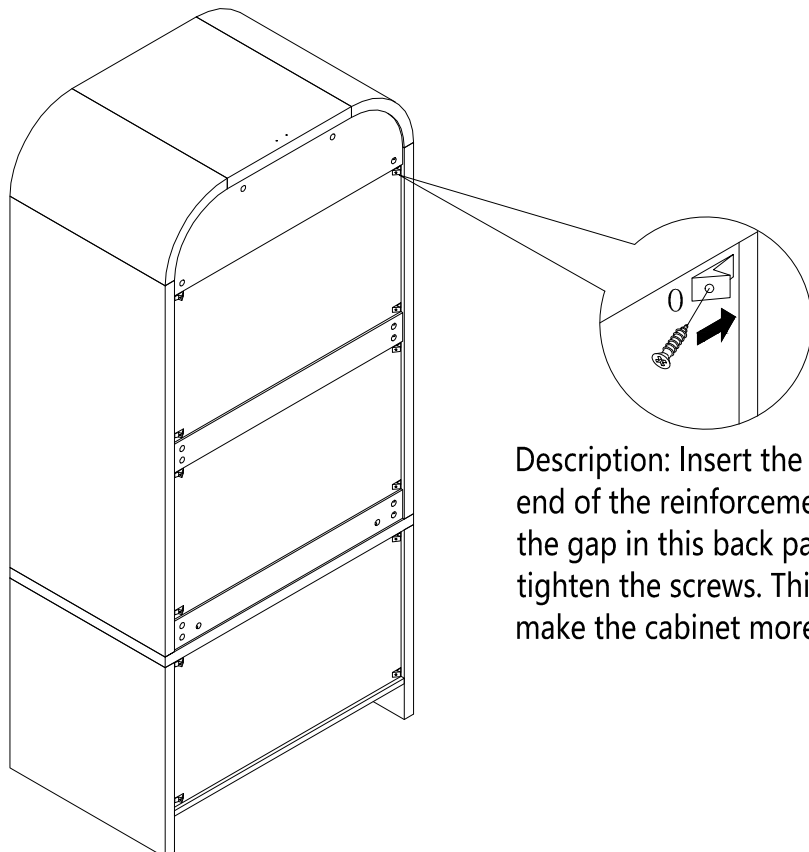


x2

STEP 23

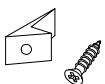


STEP 24

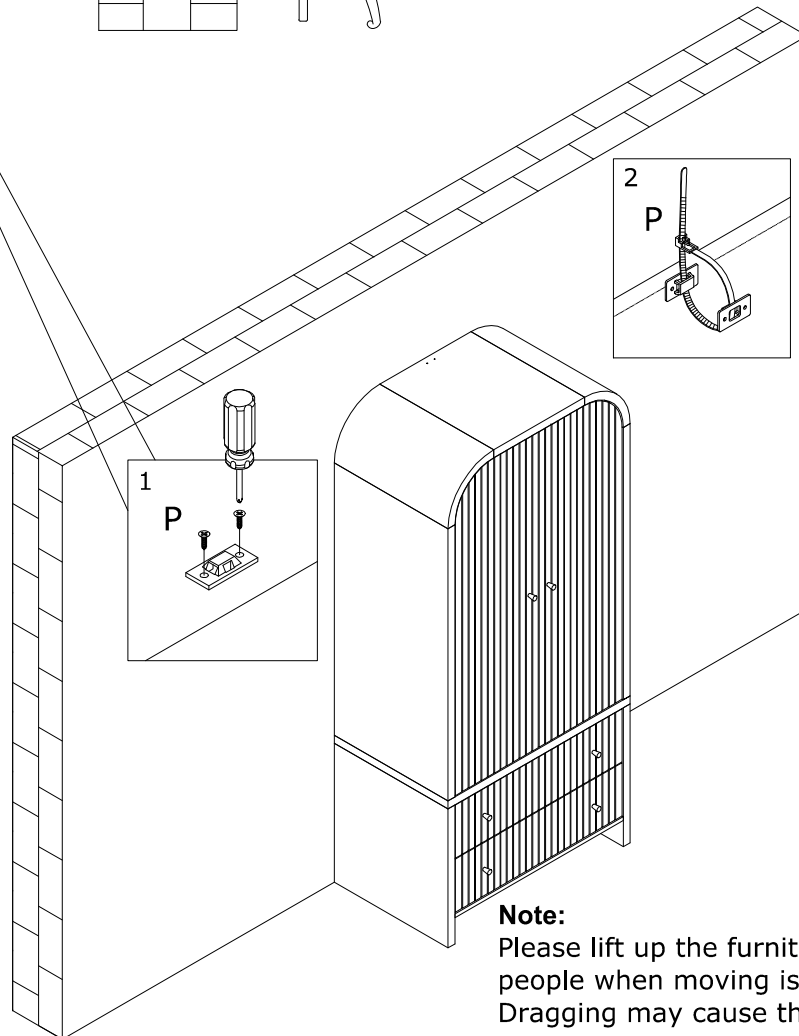
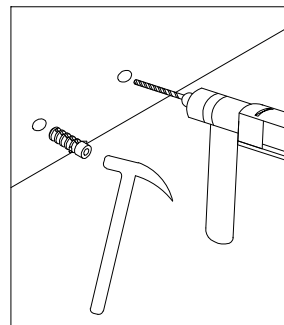
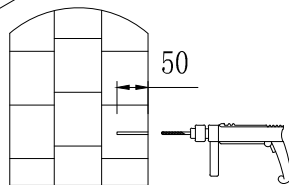
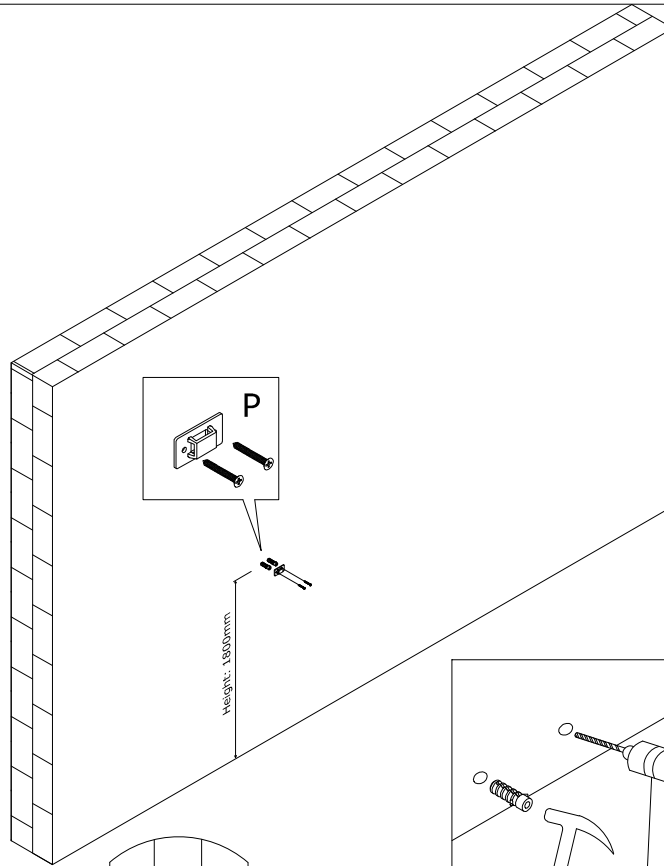
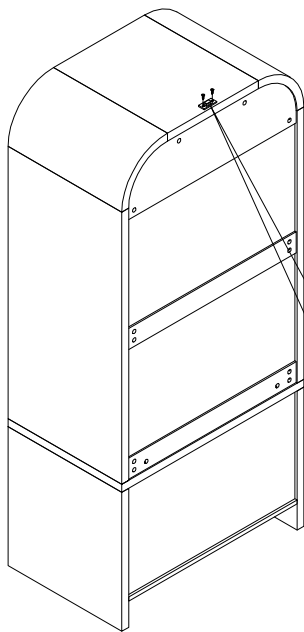


Description: Insert the thinner end of the reinforcement into the gap in this back panel, then tighten the screws. This will make the cabinet more stable.

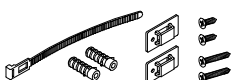
No. 0
Quantity: 12 Sets



STEP 25



No. P
Quantity: 1 Sets



Note:
Please lift up the furniture by two people when moving is needed.
Dragging may cause the legs failure.