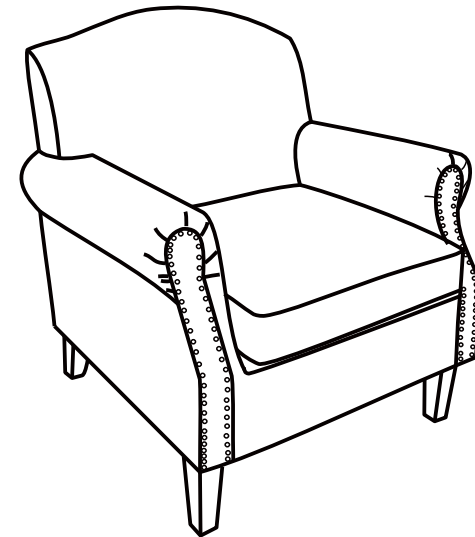


MAINTAINANCE AND WARNING

- Keep furniture away from heat.
- Do not clean furniture with harsh cleansers or polish. Do not use detergents, Solvents, abrasives, spray packs or leather cleaner. Use non-color mild soap with warm water clean spills(Mix 1:10 soap to water)
- Do not place furniture under direct sunlight, material will possibly fade over time.
- Do not use on site dry Cleaning machine.
- Children should not climb or jump on the furniture.
- Do not write on furniture without a padded barrier to protect the surface.
- Not for commercial use, For residential use only.



Weight Limitation

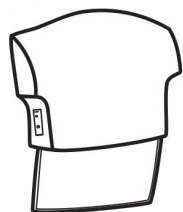
250LBS

NOTE:

This brochure contains IMPORTANT safty info. Please read and keep for future reference.

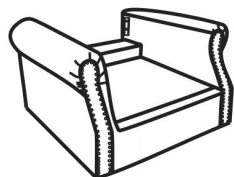
PARTS LIST

A*1



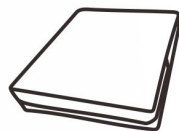
Backrest

B*1



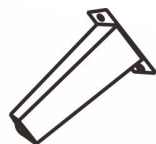
Seat Cushion

C*1



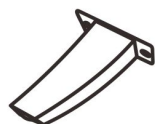
Cushion

D*2



Front Leg

E*2

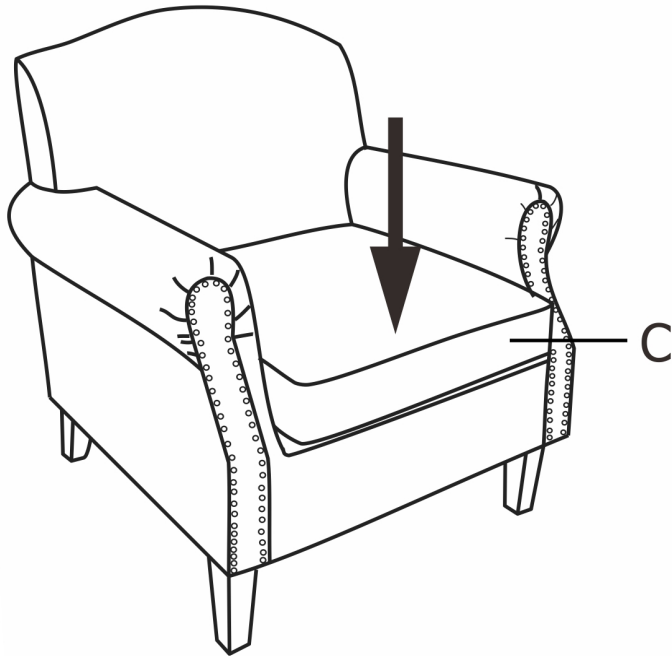


Back Leg

- Read instructions, cover to cover.
- Have 2 adults on hand for assembly.
- Do not assemble on flooring or carpet.
- Assemble on a clean non-marring surface(packing foam).
- Save all packaging until finished.

WARRANTY

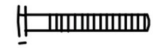
We strive to offer high-quality products, and we also try our best to satisfy each and every customer that orders from us with product or service as needed. We provide 30 days warranty starting from the time you receive the item. Each customer must provide a record of their order such as the order number, or item receipt for any items that are out of the warranty period you may also still receive replacement parts by purchasing them with our company if they are available.



STEP 3: Assembly completed

HARDWARE LIST

①*8



M6*18mm

②*1



M6

SPARE

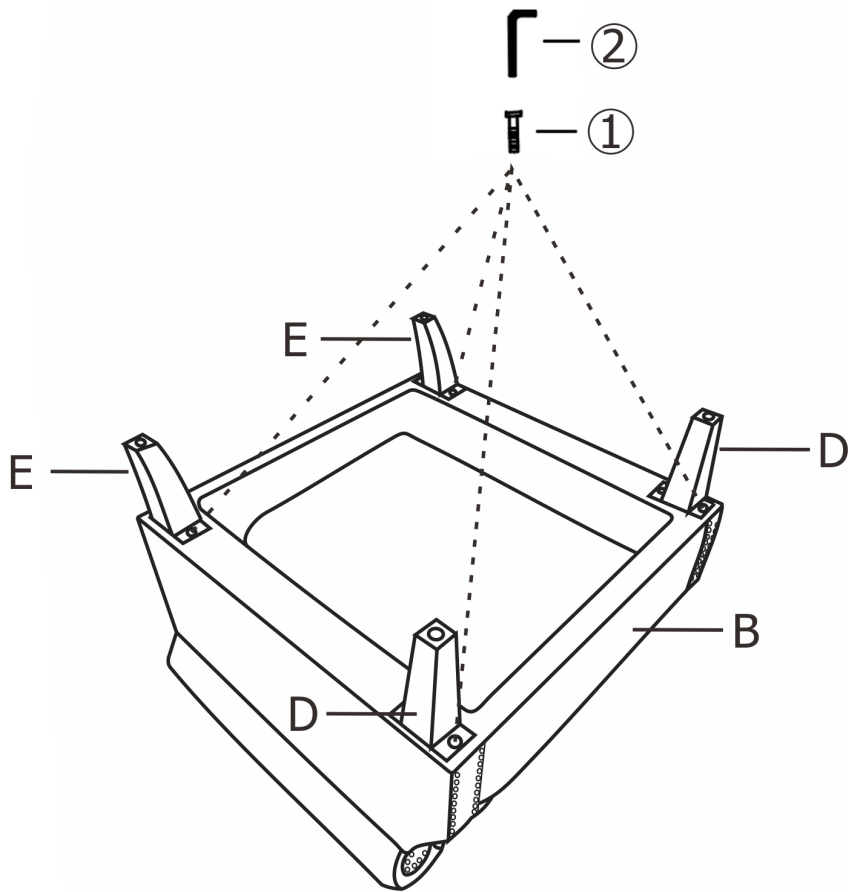
①*1



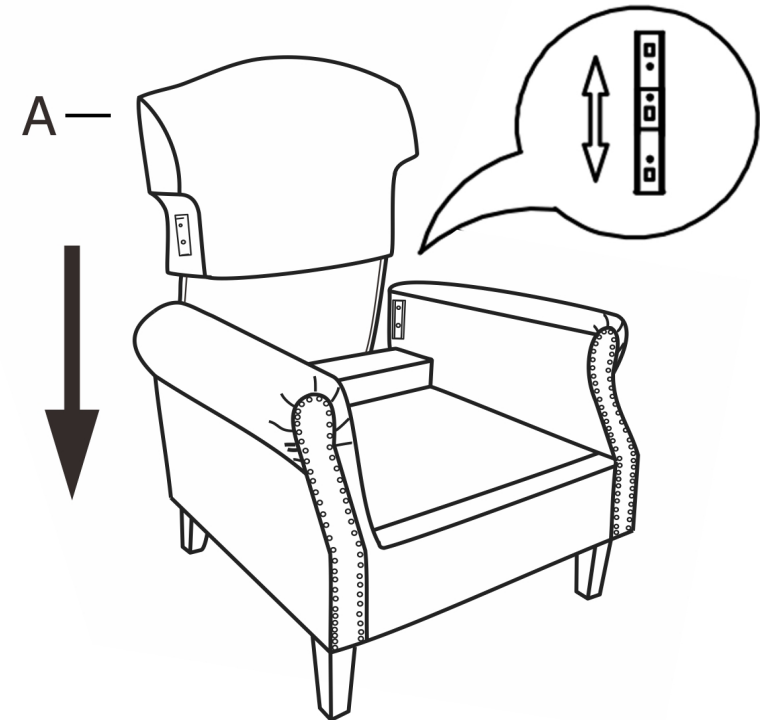
M6*18mm

Be sure to check all packing material carefully for small parts, which may have come loose inside the carton during shipment.

ASSEMBLY INSTRUCTIONS



STEP 1 : Use bolt ①, allen key ② to attach legs D&E to bottom of the seat, make sure all holes align then fasten all bolts to secure.



STEP 2: Carefully align male and female metal bracket then push all the way down to secure.