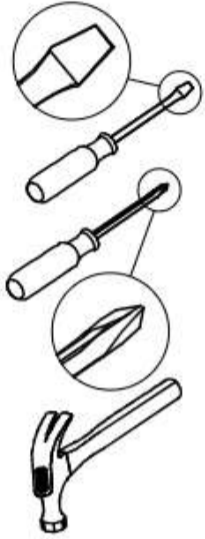


## Nightstand

# Before You Start



- ✓ Read through each step carefully and follow the proper order
- ✓ Separate and count all your parts and hardware, If Parts are missing defective or having wrong parts in package, or Board Surface is broken, scratched or lack of some screw holes. You can contact us and we will get back to you within 24 hours. Or, you can reach us via after-sales email.
- ✓ Give yourself enough room for the assembly process
- ✓ Caution: If using a power drill or power screwdriver for screwing, please pay attention to slow down and stop when screw is tight. Failure to do so may result in stripping the screw. (Assembly speed can be increased by using electric screwdriver)

# Helpful Hints

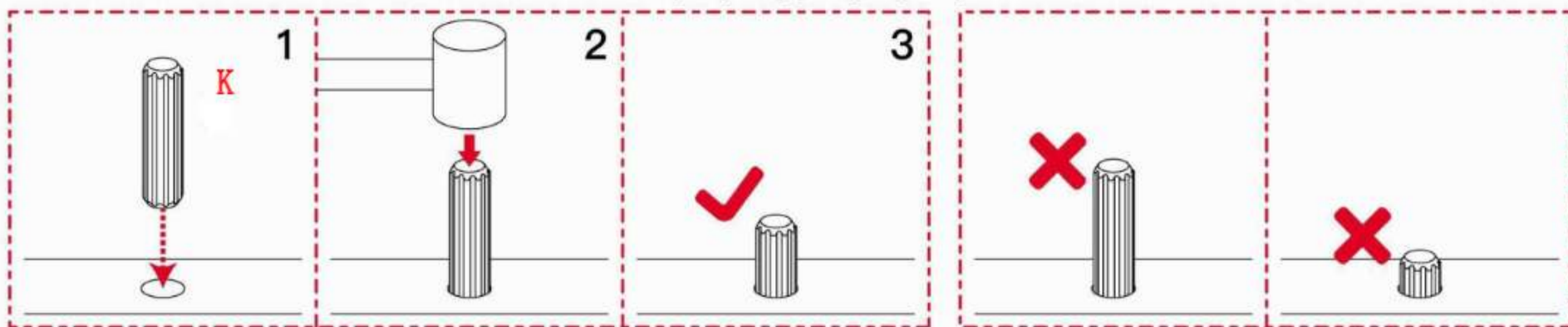
## PEOPLE NEEDED FOR ASSEMBLY: 2

- Open your item in the area you plan to keep it to avoid excessive heavy lifting.
- Identify, sort and count the parts before attempting assembly.
- Do not make the screws too loose or too tight.
- The accessory bag contains some small accessories, which should be kept away from children.
- The remaining parts are spare parts.
- Do not use harsh chemicals or abrasive cleaners on this item. And Never push, pull, or drag your furniture.

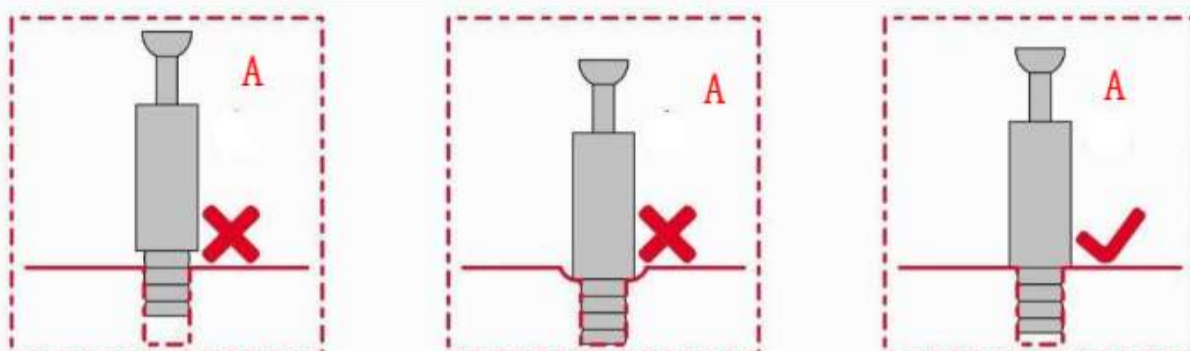


## How to Install Wood Dowel

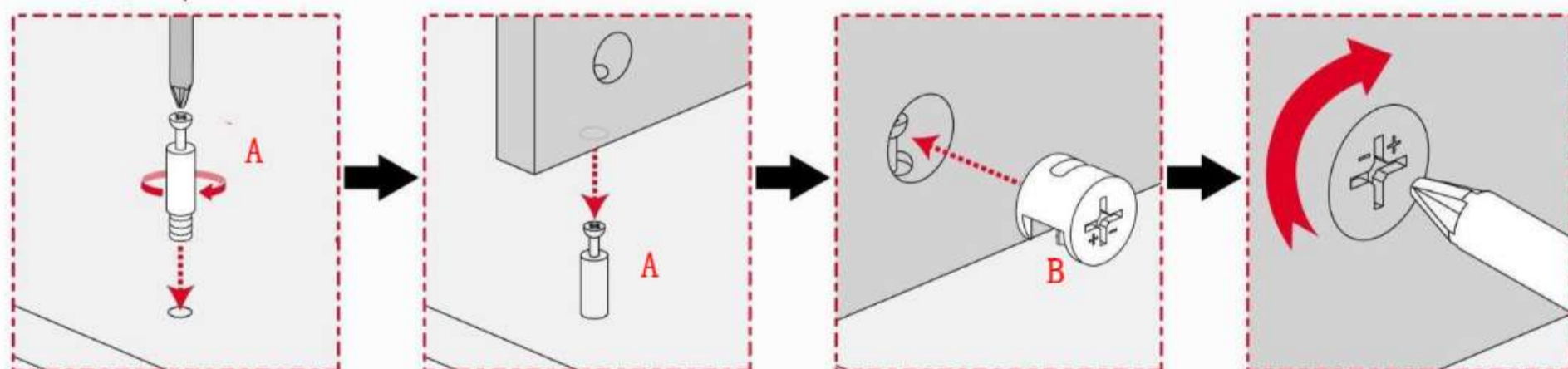
Insert the wood dowel [K] at least half way by tapping lightly with a rubber mallet, IF NECESSARY.



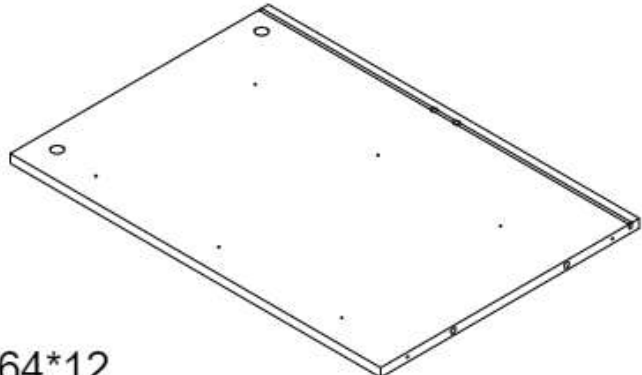
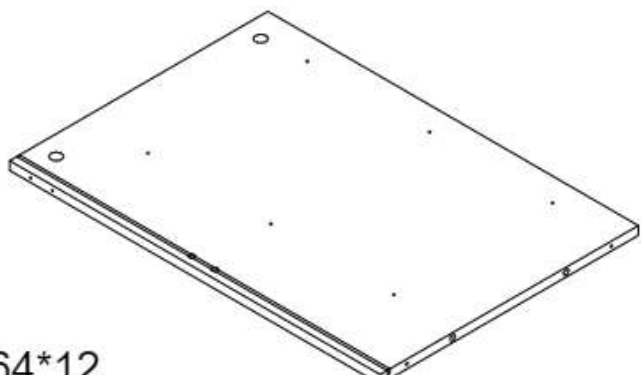
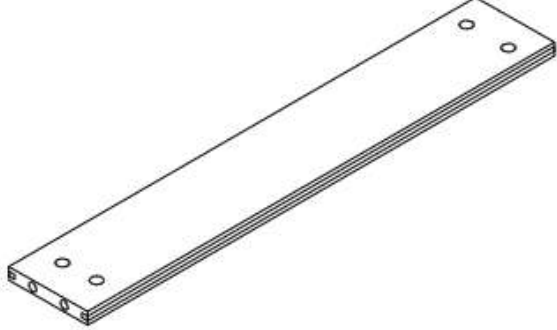
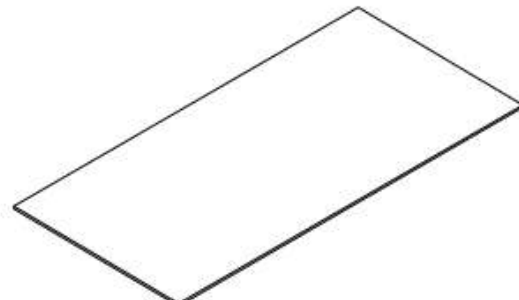
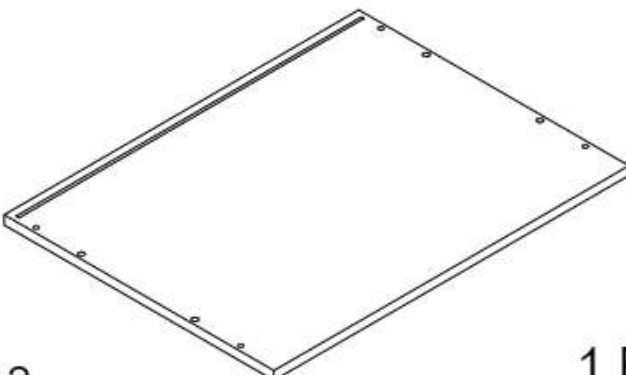
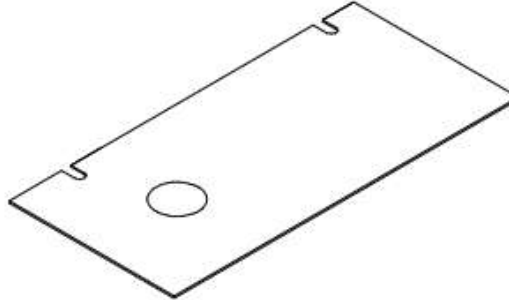
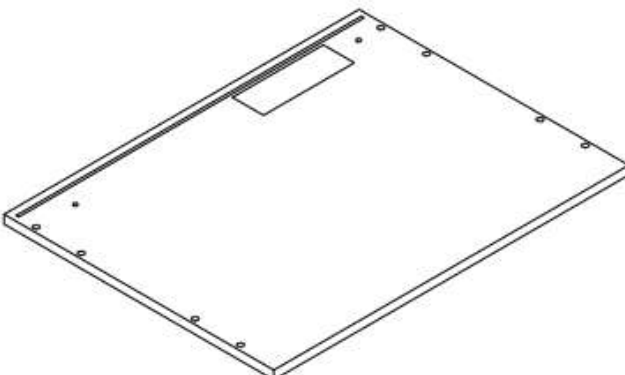
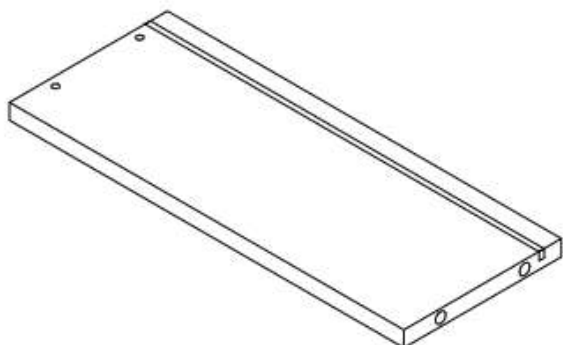
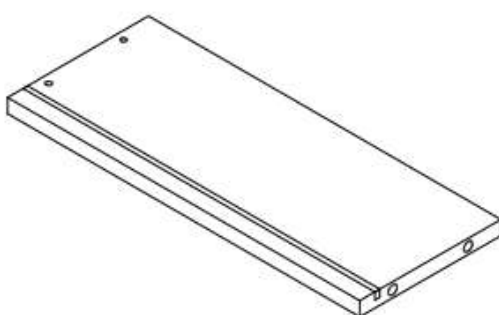
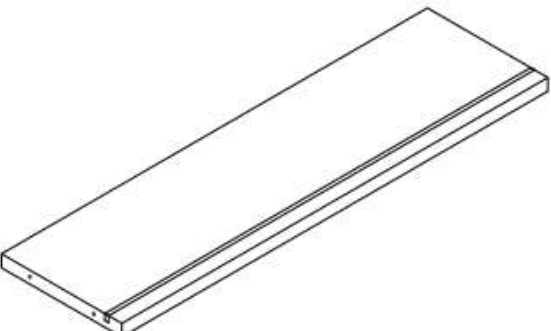
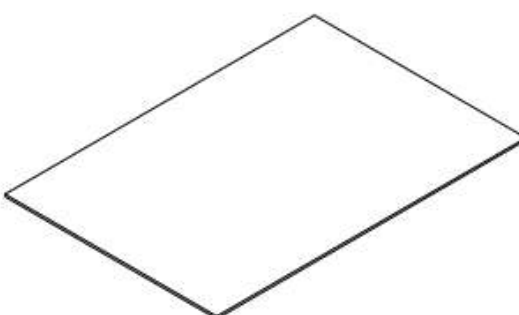
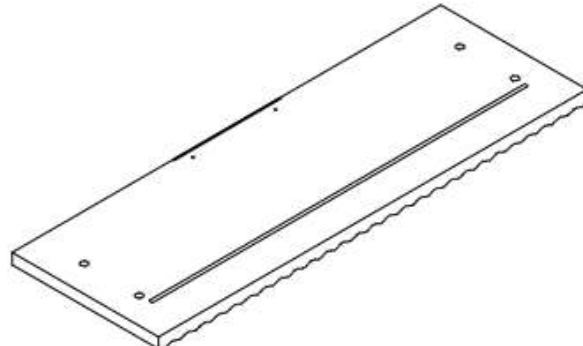
## CAM LOCK SYSTEM OPERATION



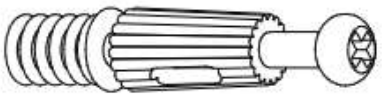





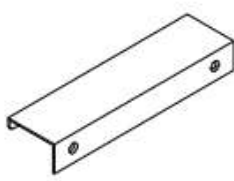
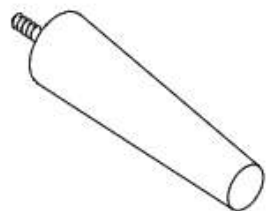


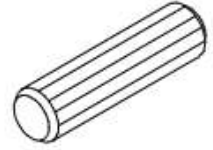
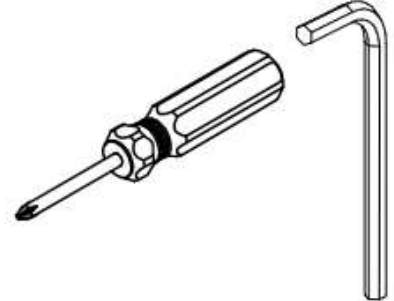


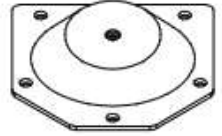

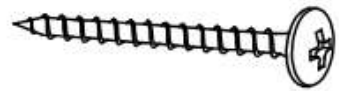
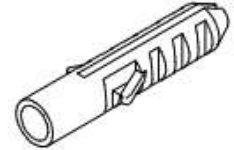
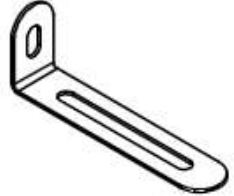

1. Screw the cam bolt [A] into the threaded insert on the panel.
2. Connect both panels together making sure cam bolt [A] goes into the pre-drilled large hole on the end of panel for cam lock [B].
3. Insert the cam lock [B] into the pre-drilled large hole on the panel. **Make sure the cross slot of cam lock [B] faces out.**
4. Rotate the cam lock [B] **clockwise** with a self-supplied phillips screwdriver to lock the cam bolt [A] in place.



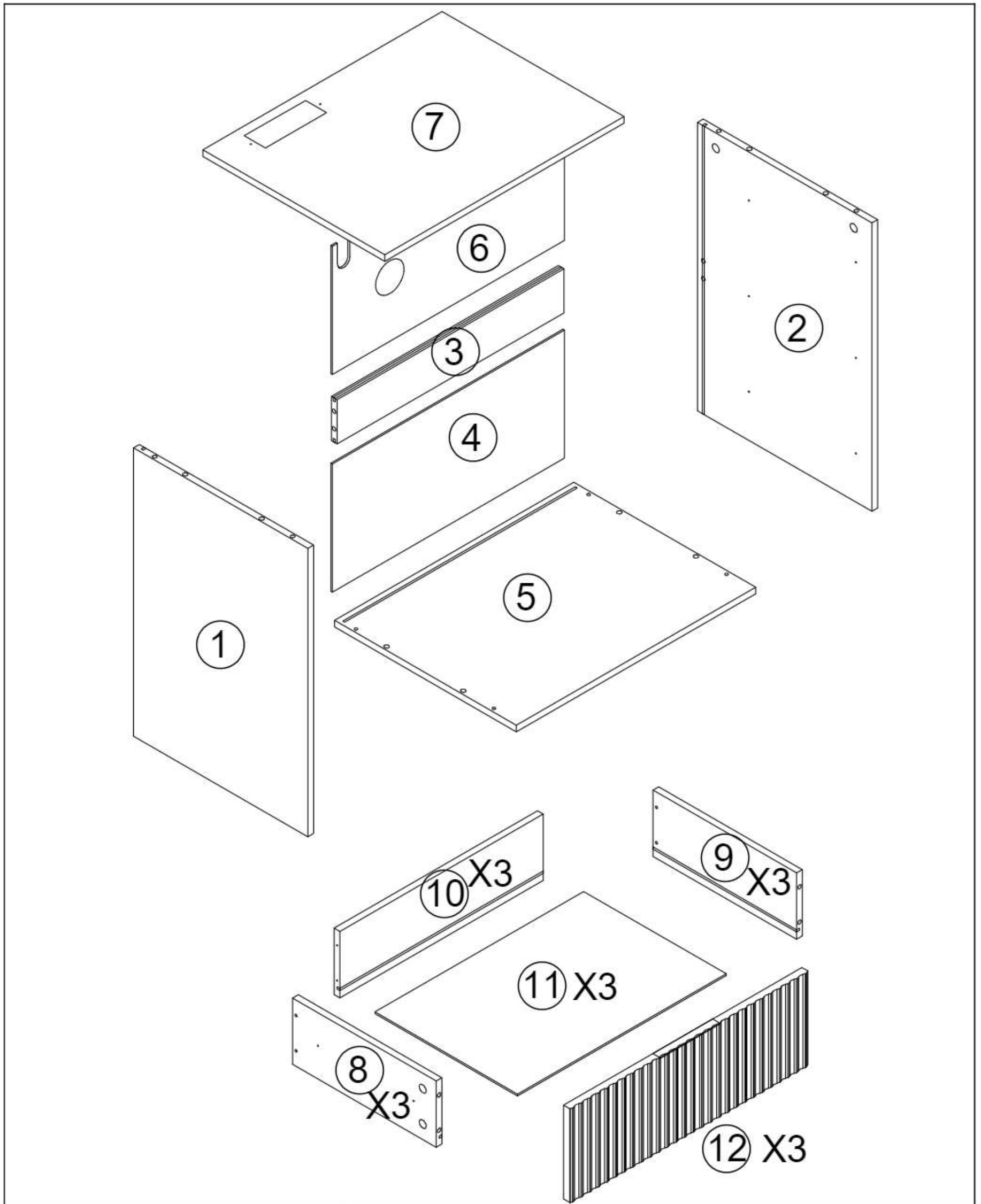
# Parts List / Teile Liste

<p><b>1</b></p>  <p>522*364*12</p> <p>1 PC</p>	<p><b>2</b></p>  <p>522*364*12</p> <p>1 PC</p>
<p><b>3</b></p>  <p>474*80*12</p> <p>1 PC</p>	<p><b>4</b></p>  <p>485*232*3</p> <p>1 PC</p>
<p><b>5</b></p>  <p>500*380*12</p> <p>1 PC</p>	<p><b>6</b></p>  <p>485*232*3</p> <p>1 PC</p>
<p><b>7</b></p>  <p>500*380*12</p> <p>1 PC</p>	<p><b>8</b></p>  <p>300*120*12</p> <p>3 PCS</p>
<p><b>9</b></p>  <p>300*120*12</p> <p>3 PCS</p>	<p><b>10</b></p>  <p>425*120*12</p> <p>3 PCS</p>
<p><b>11</b></p>  <p>436*298*3</p> <p>3 PCS</p>	<p><b>12</b></p>  <p>498*170*15</p> <p>3 PCS</p>

## Parts List / Teile Liste

<p><b>A</b></p>  <p>Ø6x36mm                      20PCS</p>	<p><b>B</b></p>  <p>Ø15x9.2mm                      20PCS</p>	<p><b>C</b></p>  <p>M3.5x12mm                      52PCS</p>
<p><b>D</b></p>  <p>M3.5x14mm                      8PCS</p>	<p><b>E</b></p>  <p>8PCS</p>	<p><b>F</b></p>  <p>1PC</p>
<p><b>G</b></p>  <p>3 PCS</p>	<p><b>H</b></p>  <p>4PCS</p>	<p><b>I</b></p>  <p>M3.5x40mm                      12PCS</p>
<p><b>J</b></p>  <p>6SET</p>	<p><b>K</b></p>  <p>Ø6*30mm                      8PCS</p>	<p><b>L</b></p>  <p>M4</p>
<p><b>M</b></p>  <p>Ø20mm                      8PCS</p>	<p><b>N</b></p>  <p>M5*50                      4PCS</p>	<p><b>O</b></p>  <p>4PCS</p>
<p><b>P</b></p>  <p>40*40*15                      4PCS</p>	<p><b>Q</b></p>  <p>M5*38                      2 PCS</p>	<p><b>R</b></p>  <p>Ø8*40                      2PCS</p>
<p><b>S</b></p>  <p>65*32*15                      2 PCS</p>	<p><b>T</b></p>  <p>M3*12                      4PCS</p>	

# Assembly Steps / Montageschritte



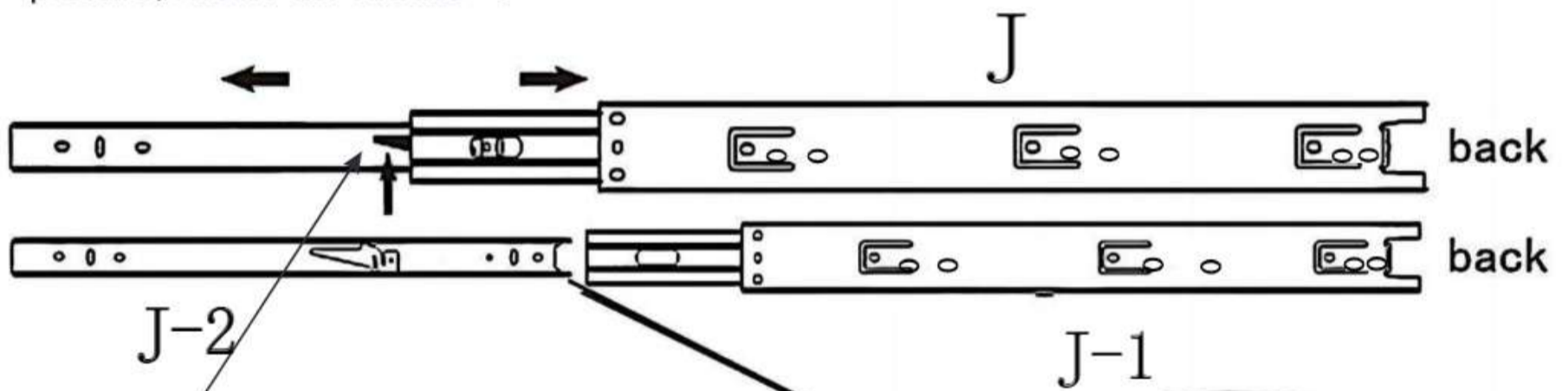
STEP 1



## Hardware installation demonstration

- Before installing the drawer rail, you need to separate the J-1 and J-2 first.

1. Place the J as shown in picture, Then Pull out the J-2

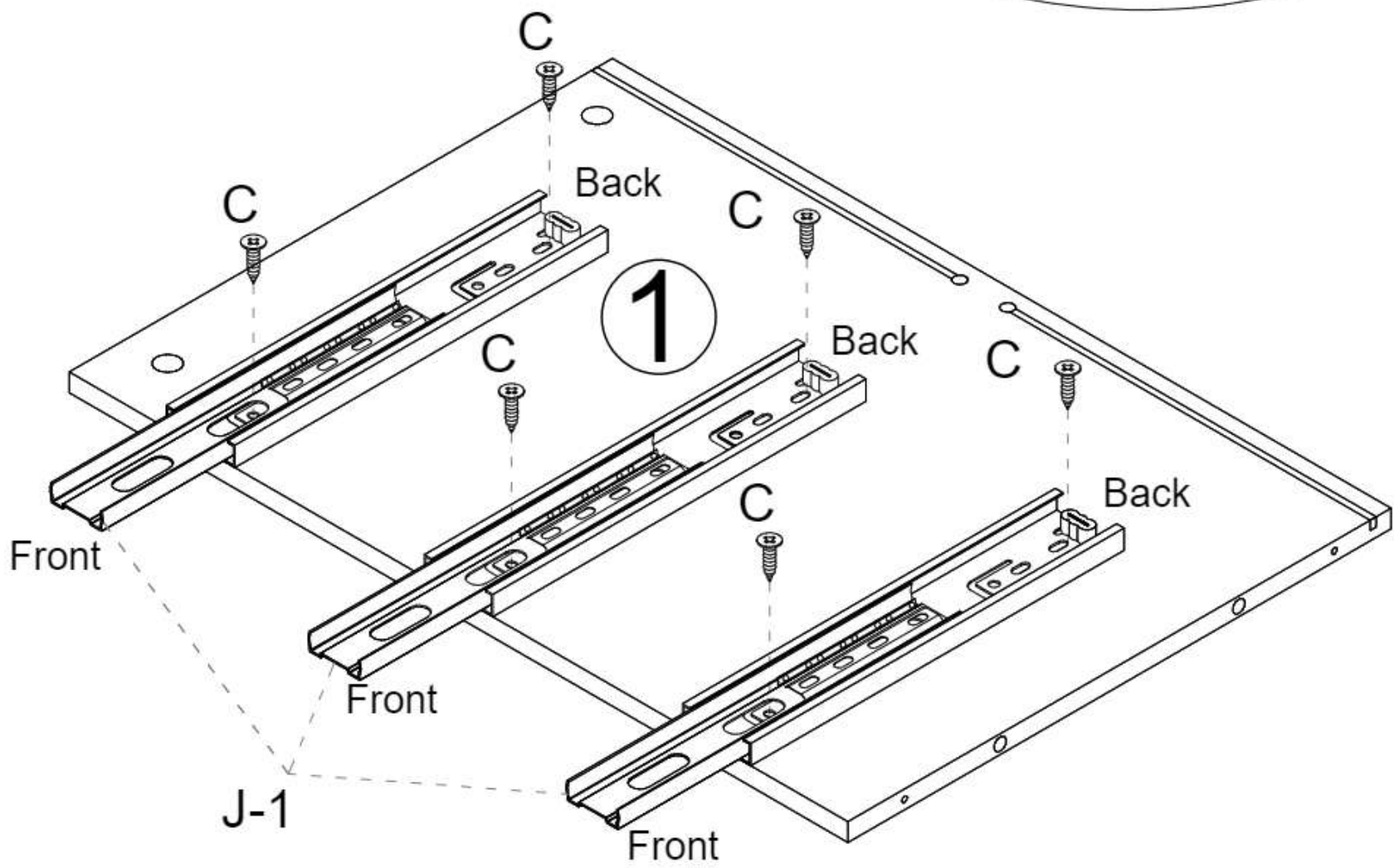
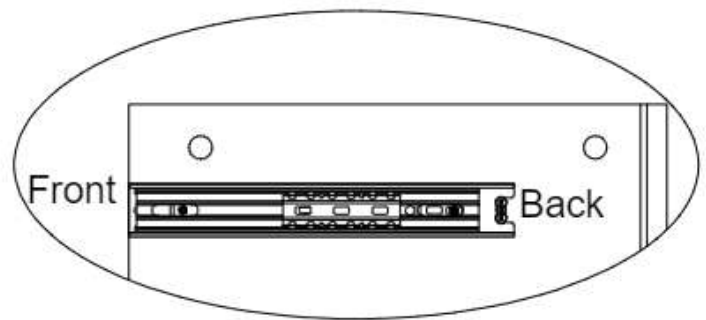
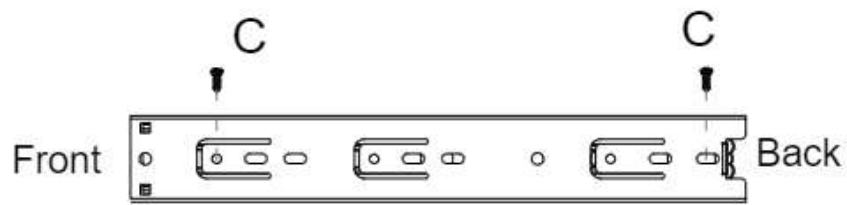




2. Find the latch position, press it and split

Warm Reminder: Press it and split

# Assembly Steps / Montageschritte

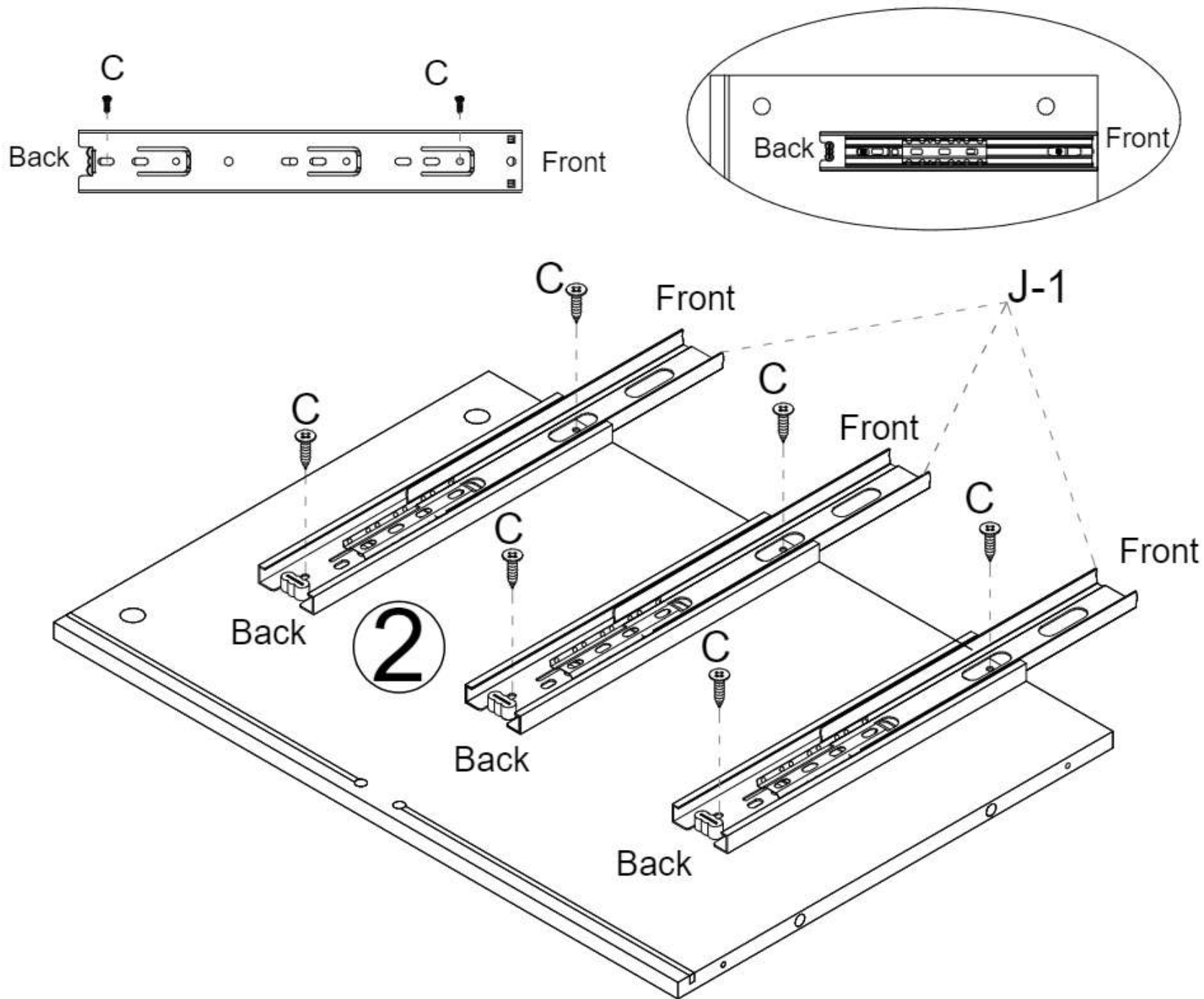
STEP 2



	J-1*3SET
	C*6PCS

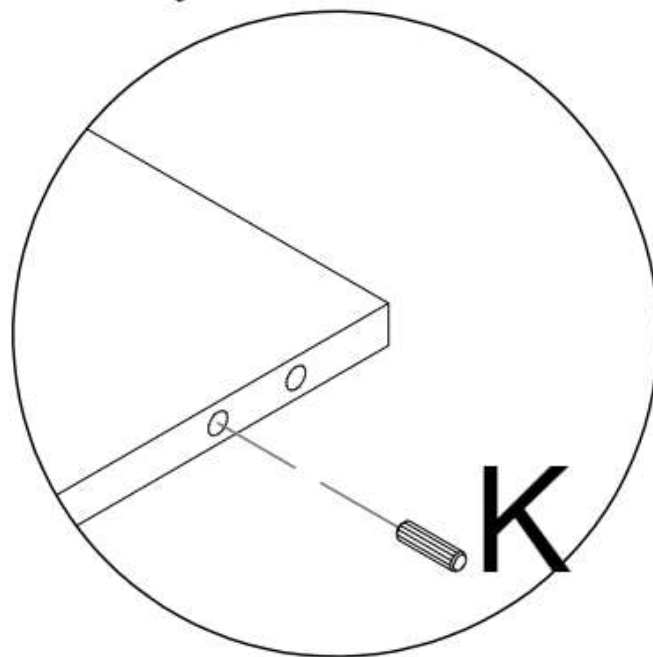
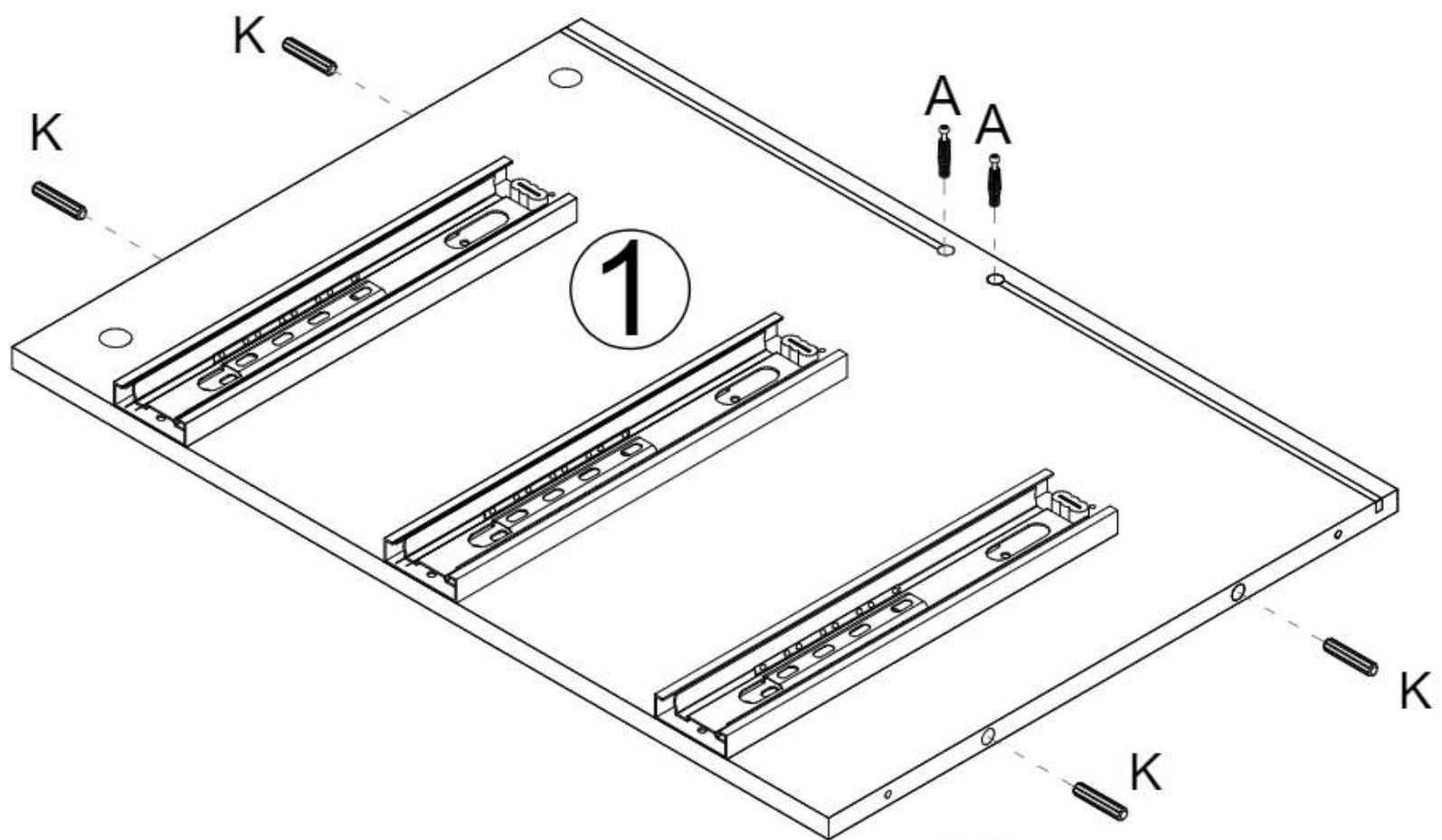
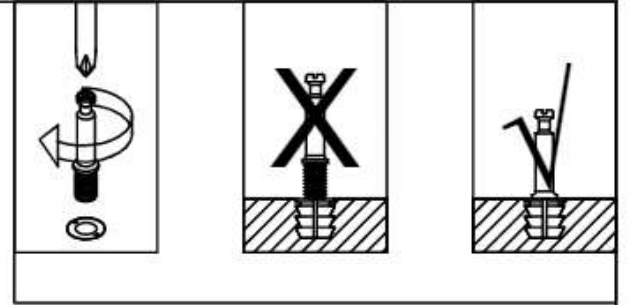
# Assembly Steps / Montageschritte


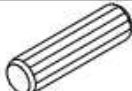
## STEP 3



# Assembly Steps / Montageschritte

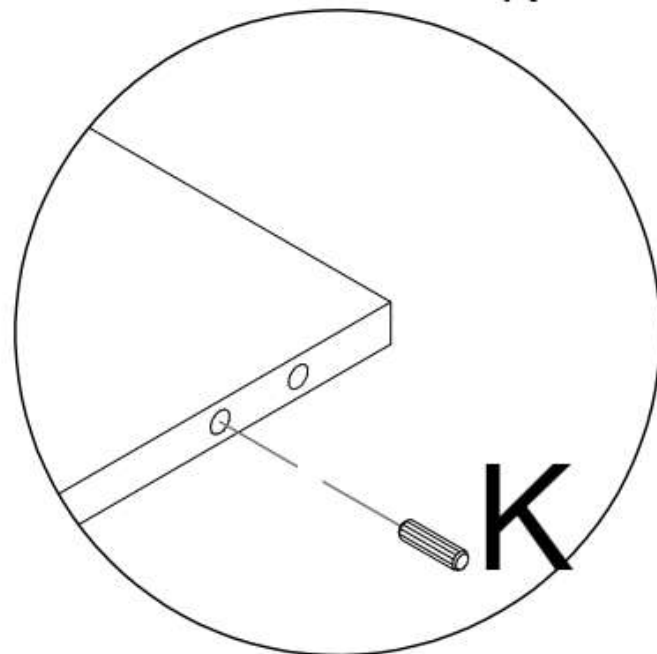
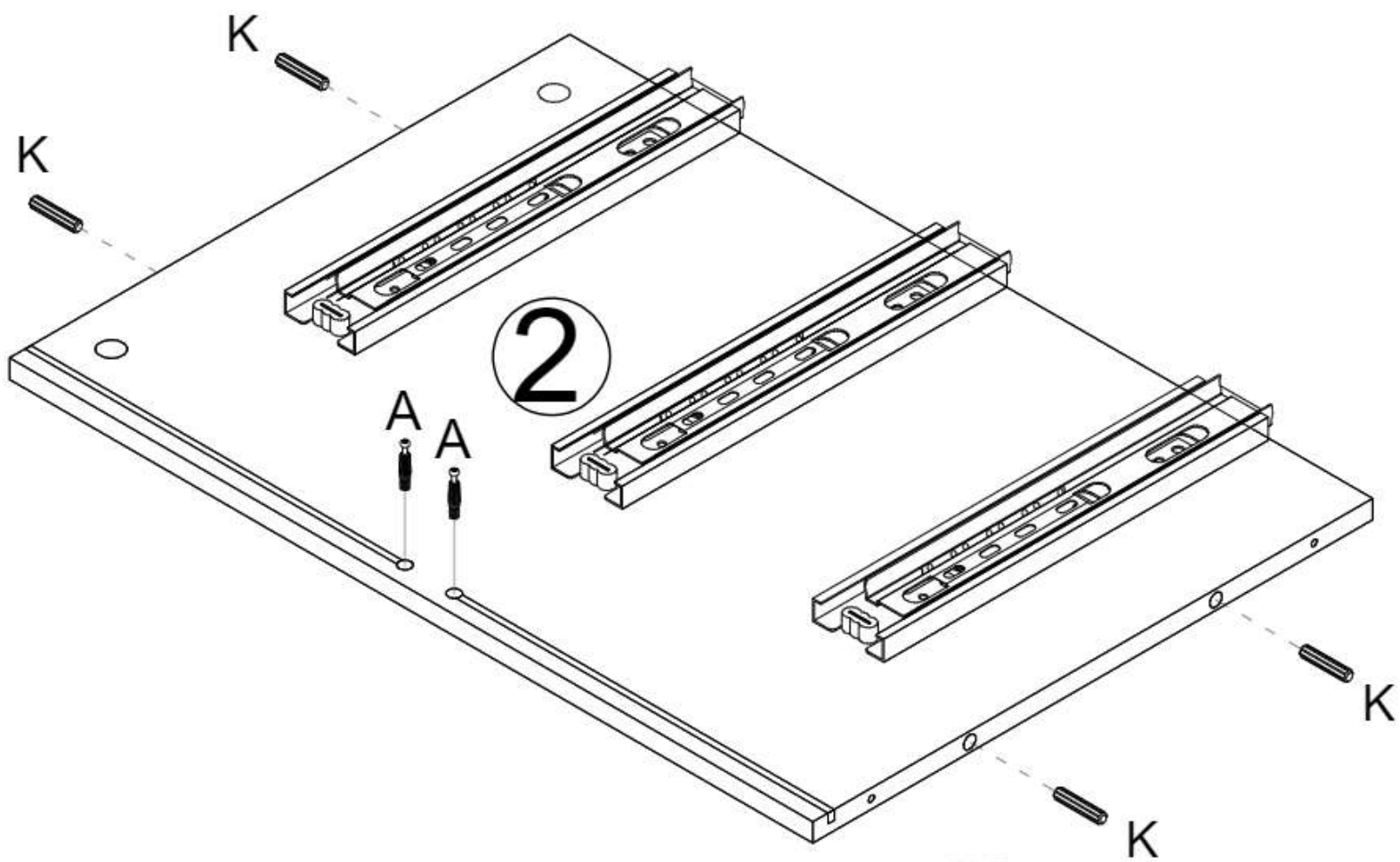
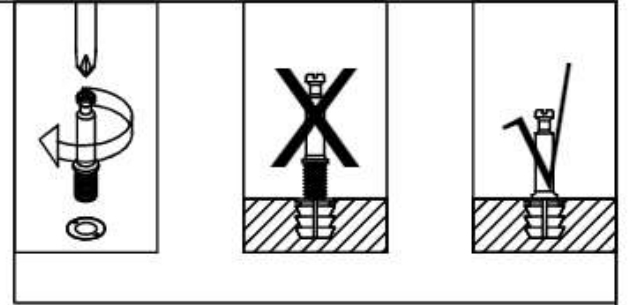
STEP 4


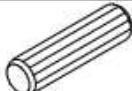


	A*2PCS
	K*4PCS

# Assembly Steps / Montageschritte

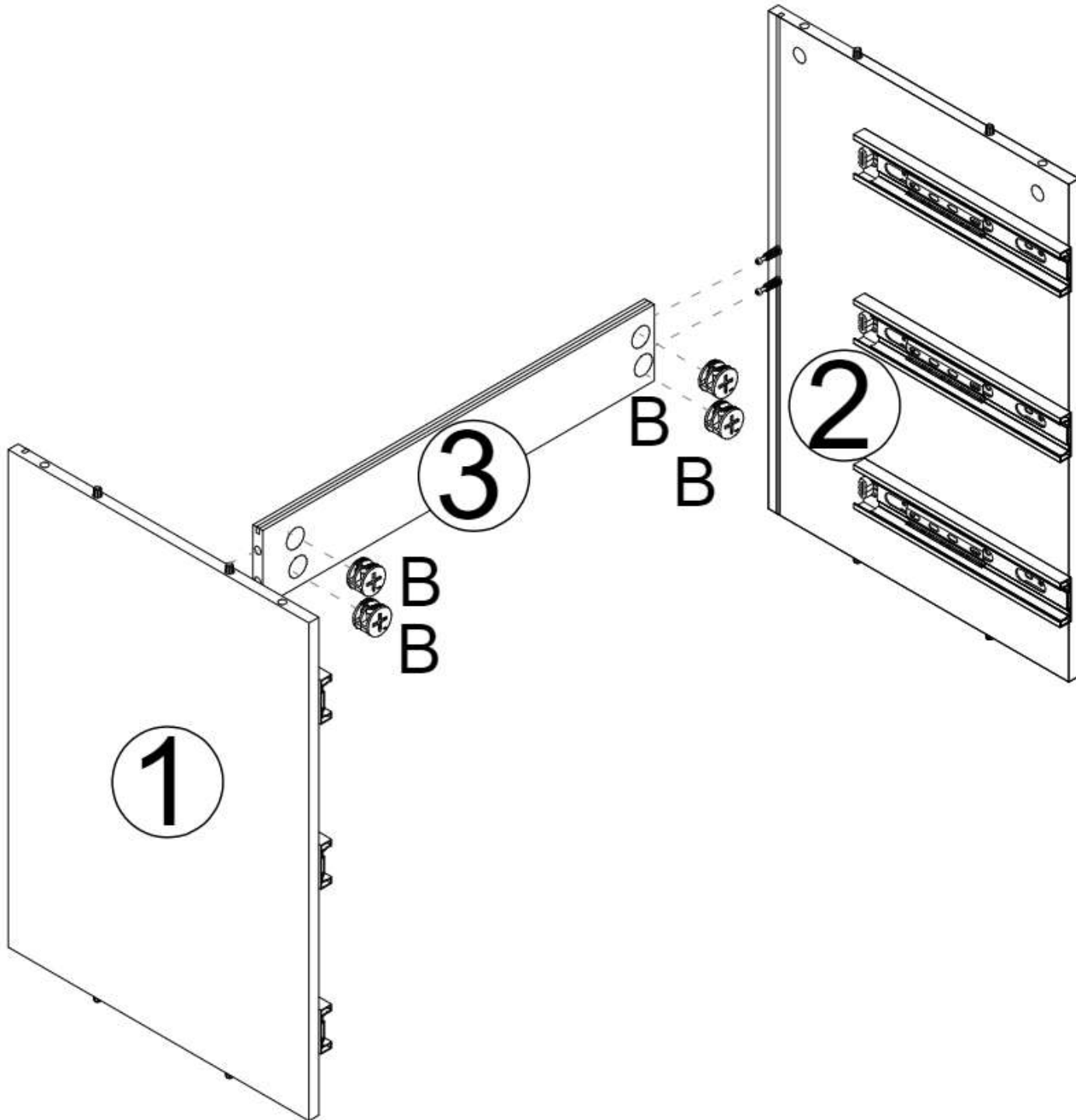
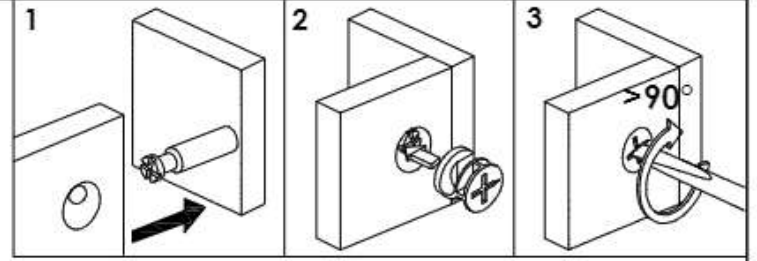
STEP 5



	A*2PCS
	K*4PCS

# Assembly Steps / Montageschritte

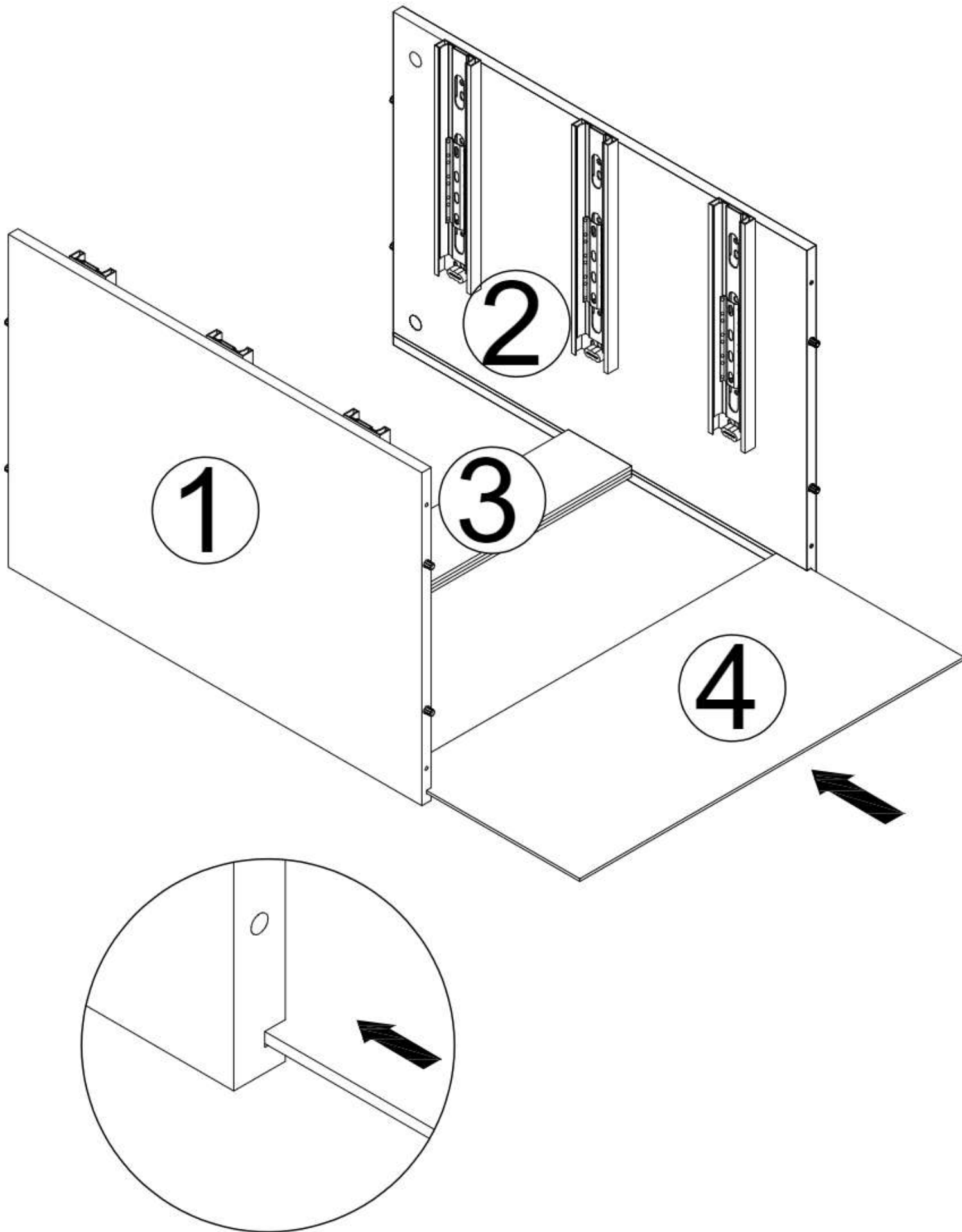
STEP 6



B\*4PCS

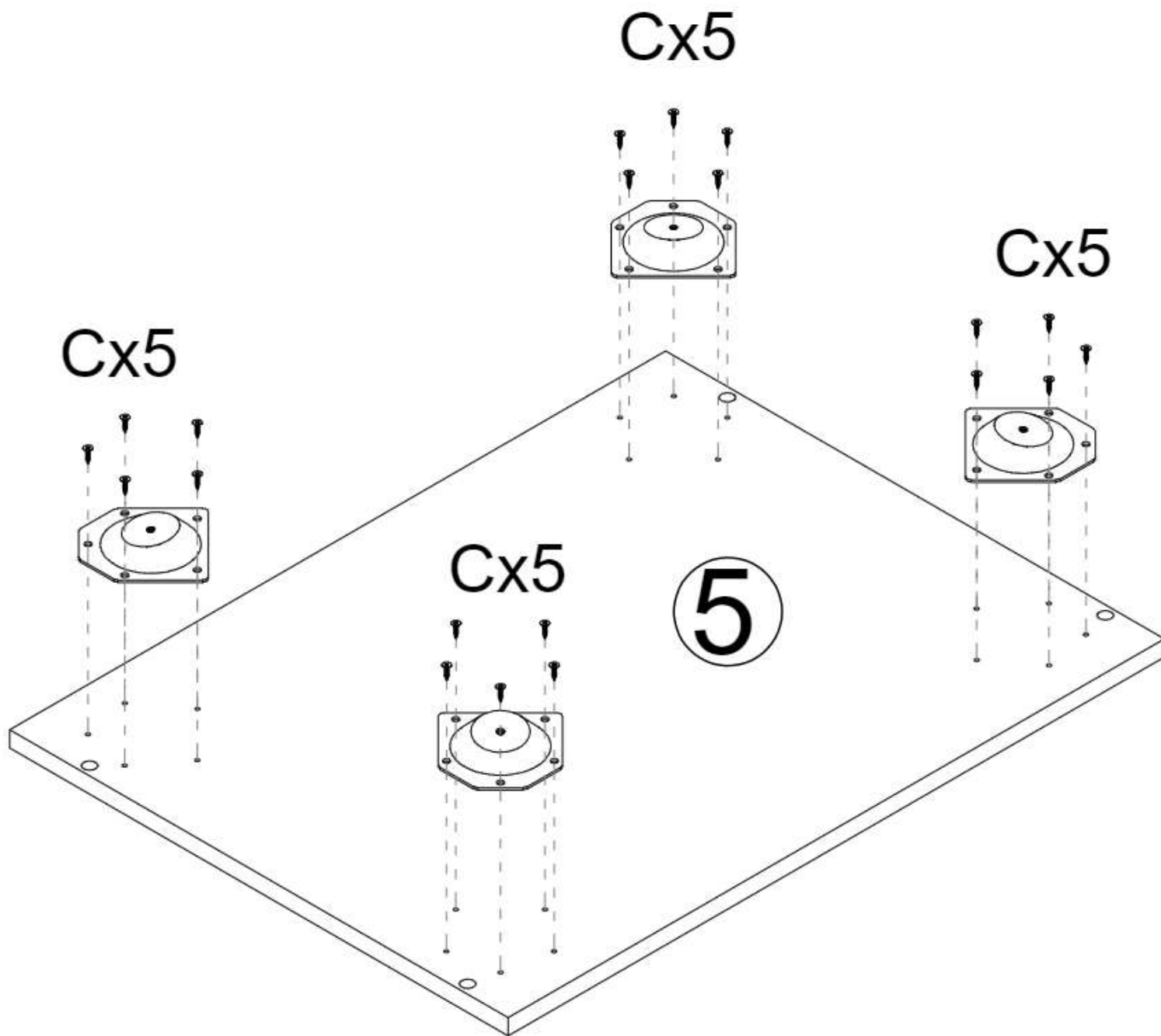
# Assembly Steps / Montageschritte



STEP 7



# Assembly Steps / Montageschritte

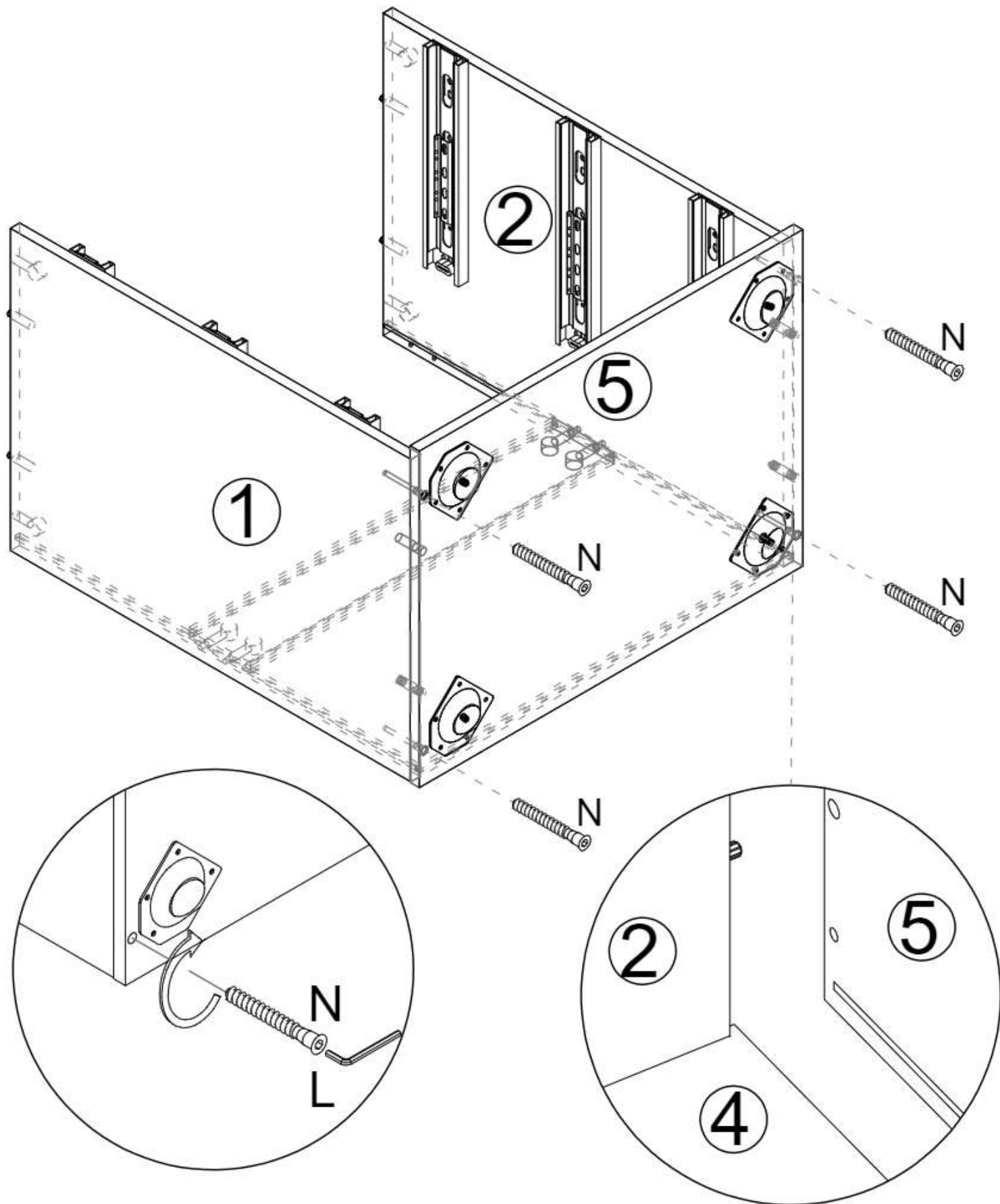
STEP 8


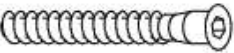


	O*4PCS
	C*20PCS

# Assembly Steps / Montageschritte

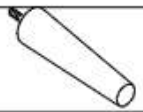
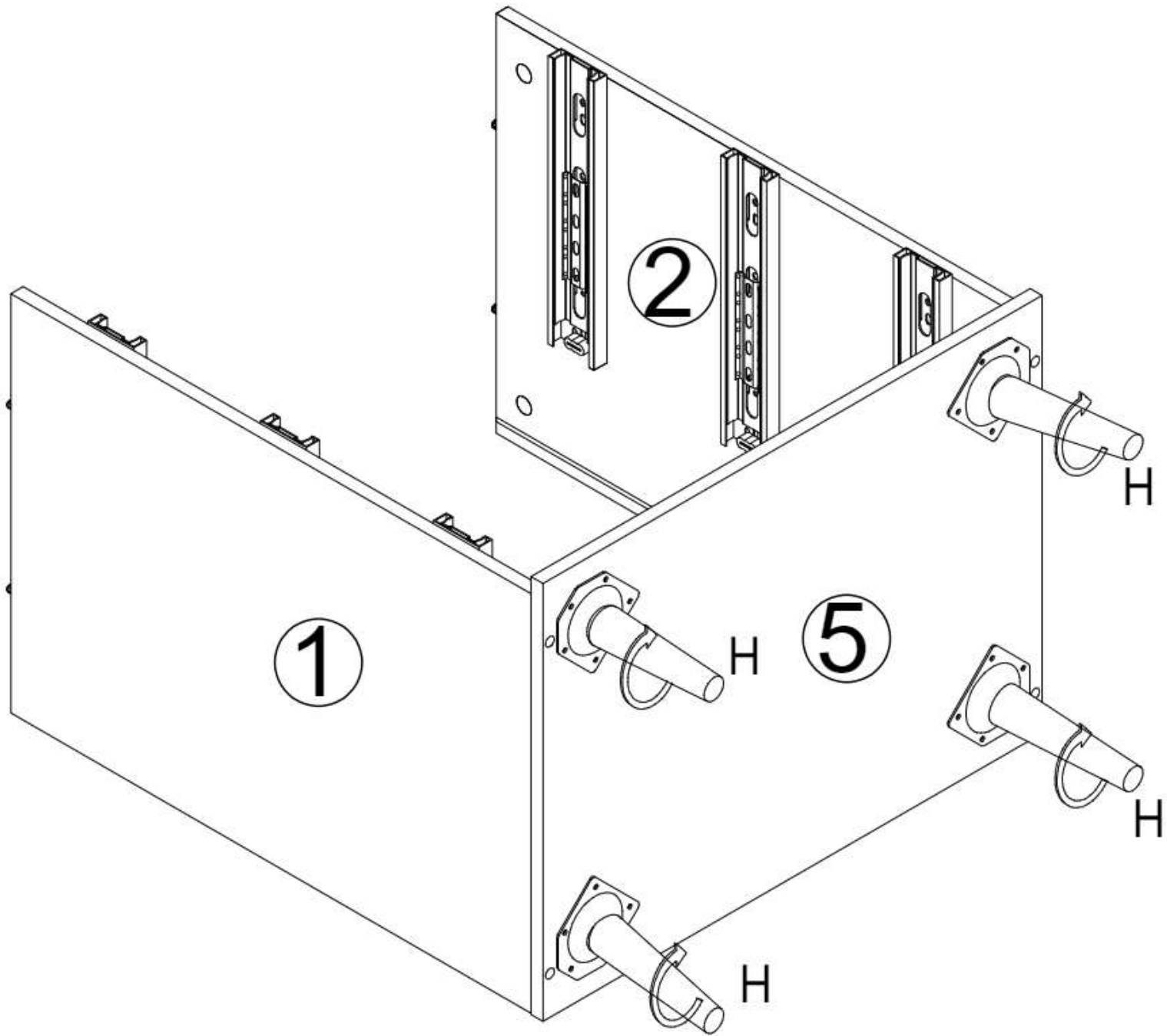
STEP 9



	L*1PC
	N*4PCS

# Assembly Steps / Montageschritte

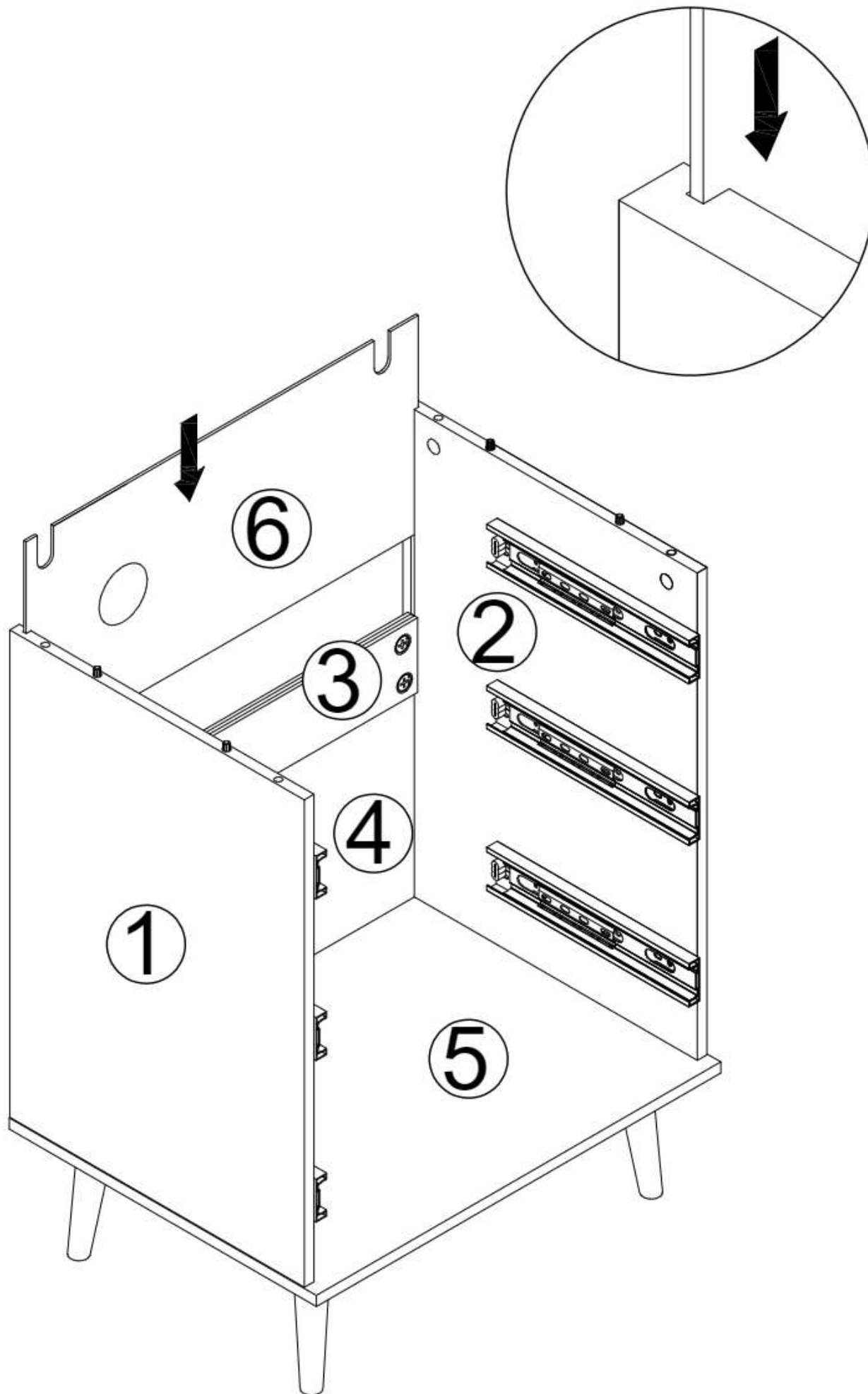
STEP 10



H\*4PCS

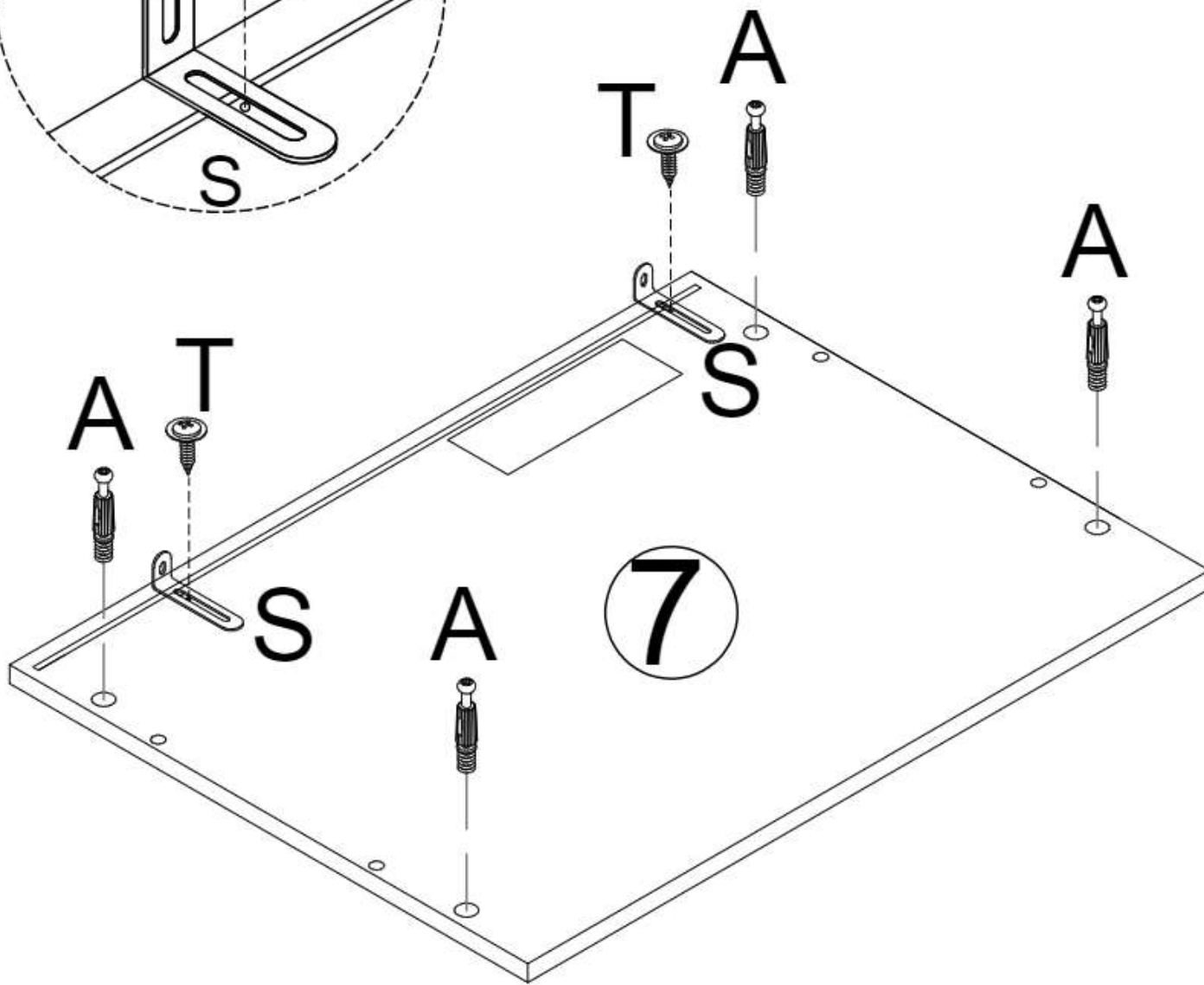
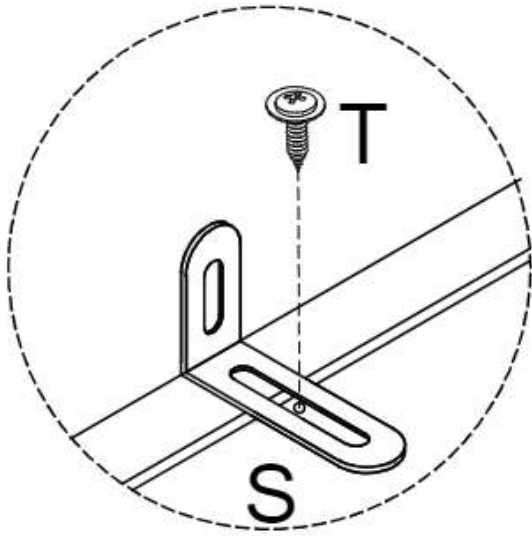
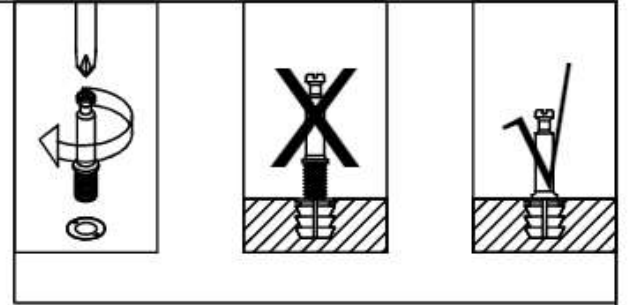
## Assembly Steps / Montageschritte




STEP 11



# Assembly Steps / Montageschritte

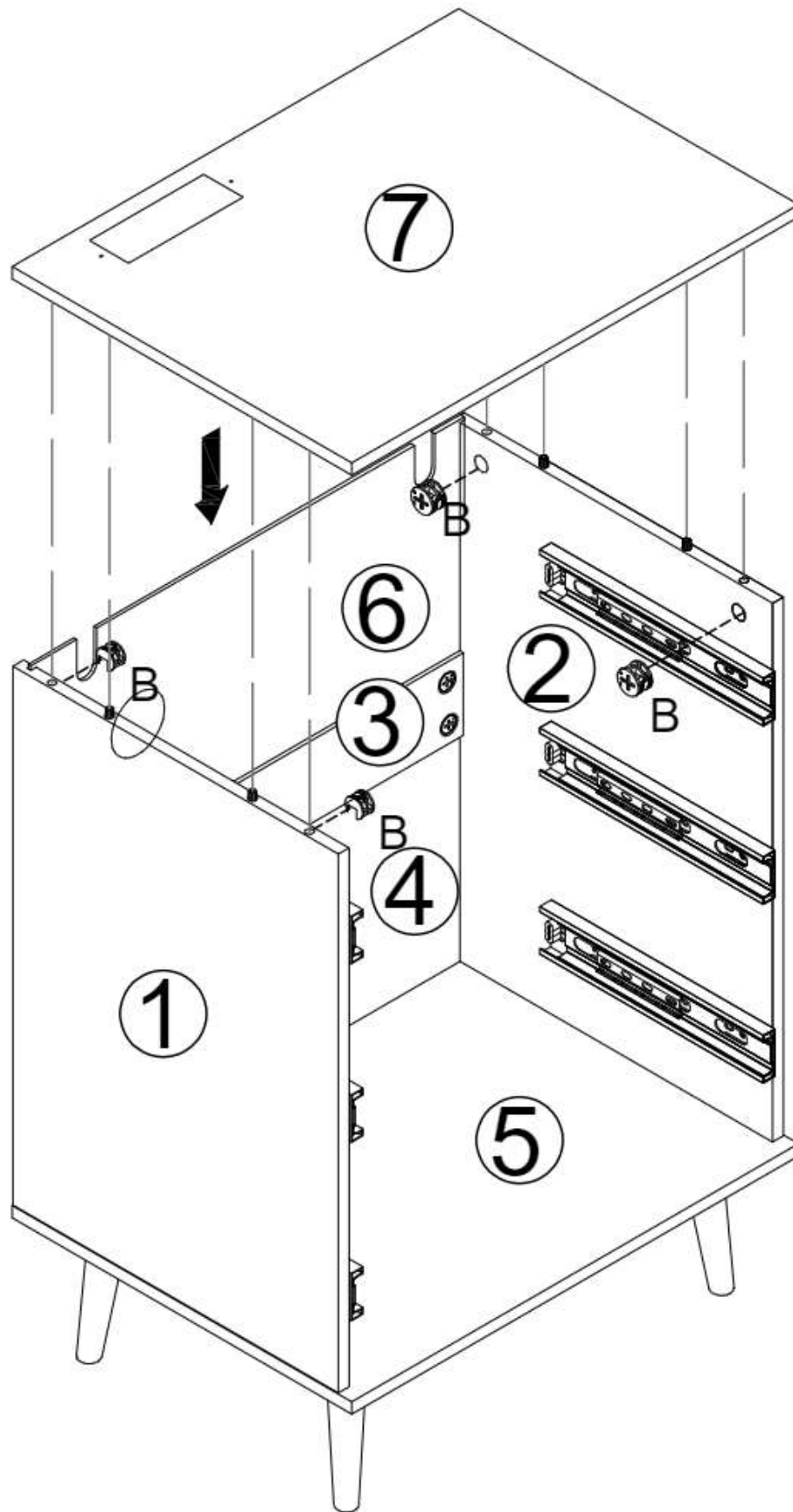
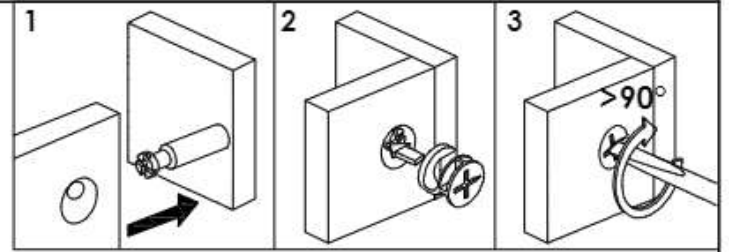
STEP 12



	S*2PCS
	T*2PCS
	A*4PCS

# Assembly Steps / Montageschritte

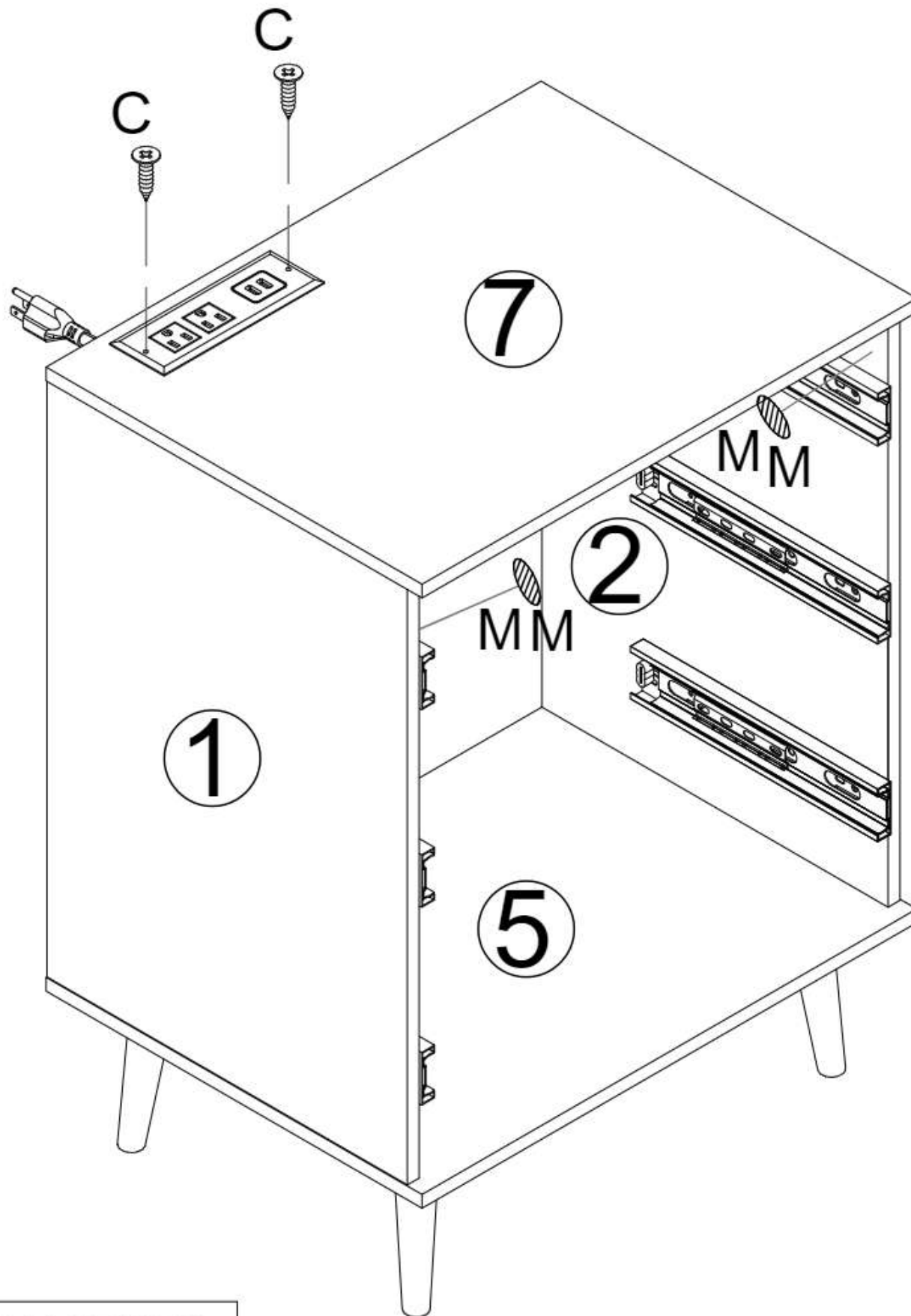
STEP 13






B\*4PCS

# Assembly Steps / Montageschritte

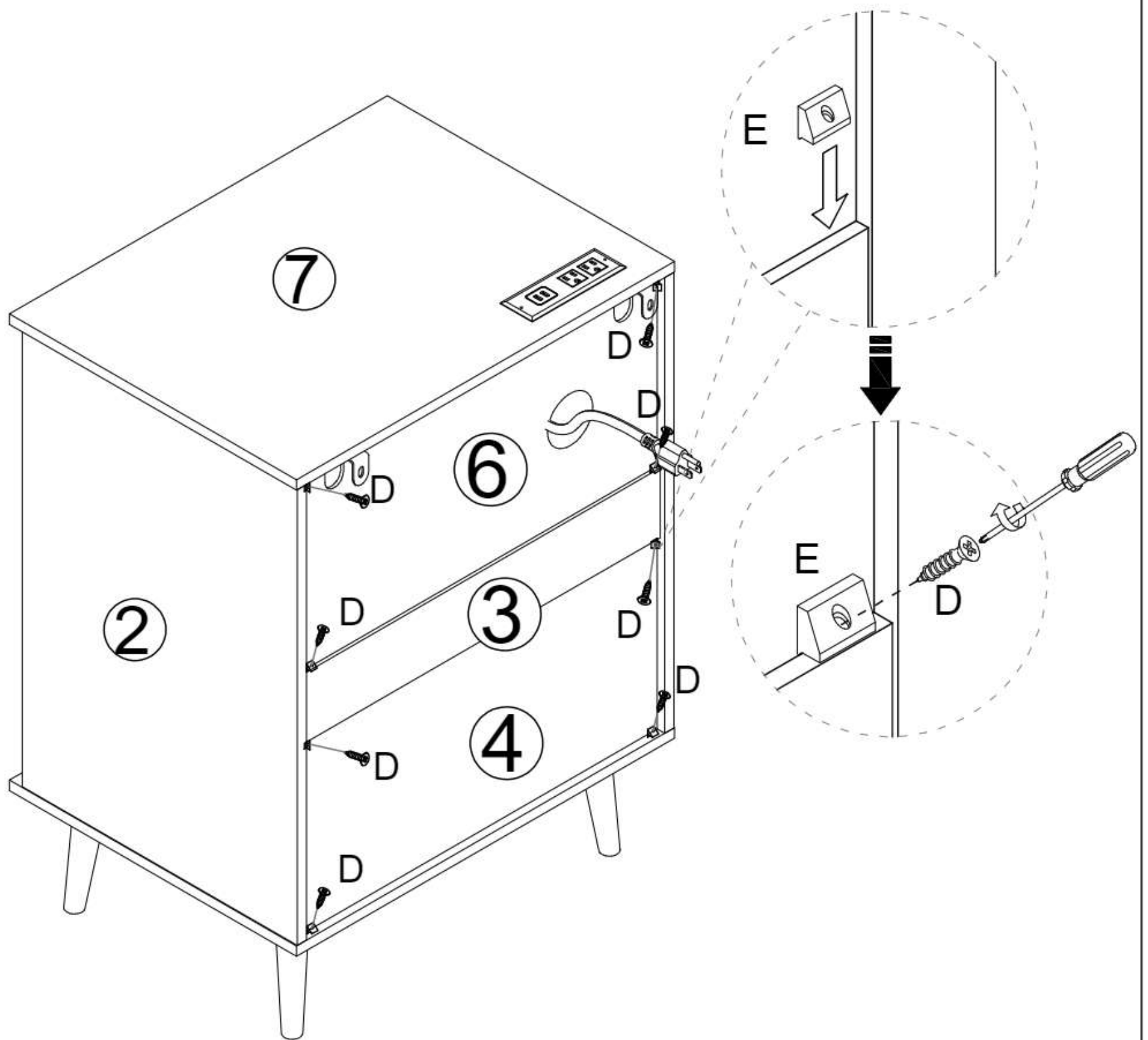
STEP 14





	M*8PCS
	C*2PCS
	F*1PC

# Assembly Steps / Montageschritte

STEP 15

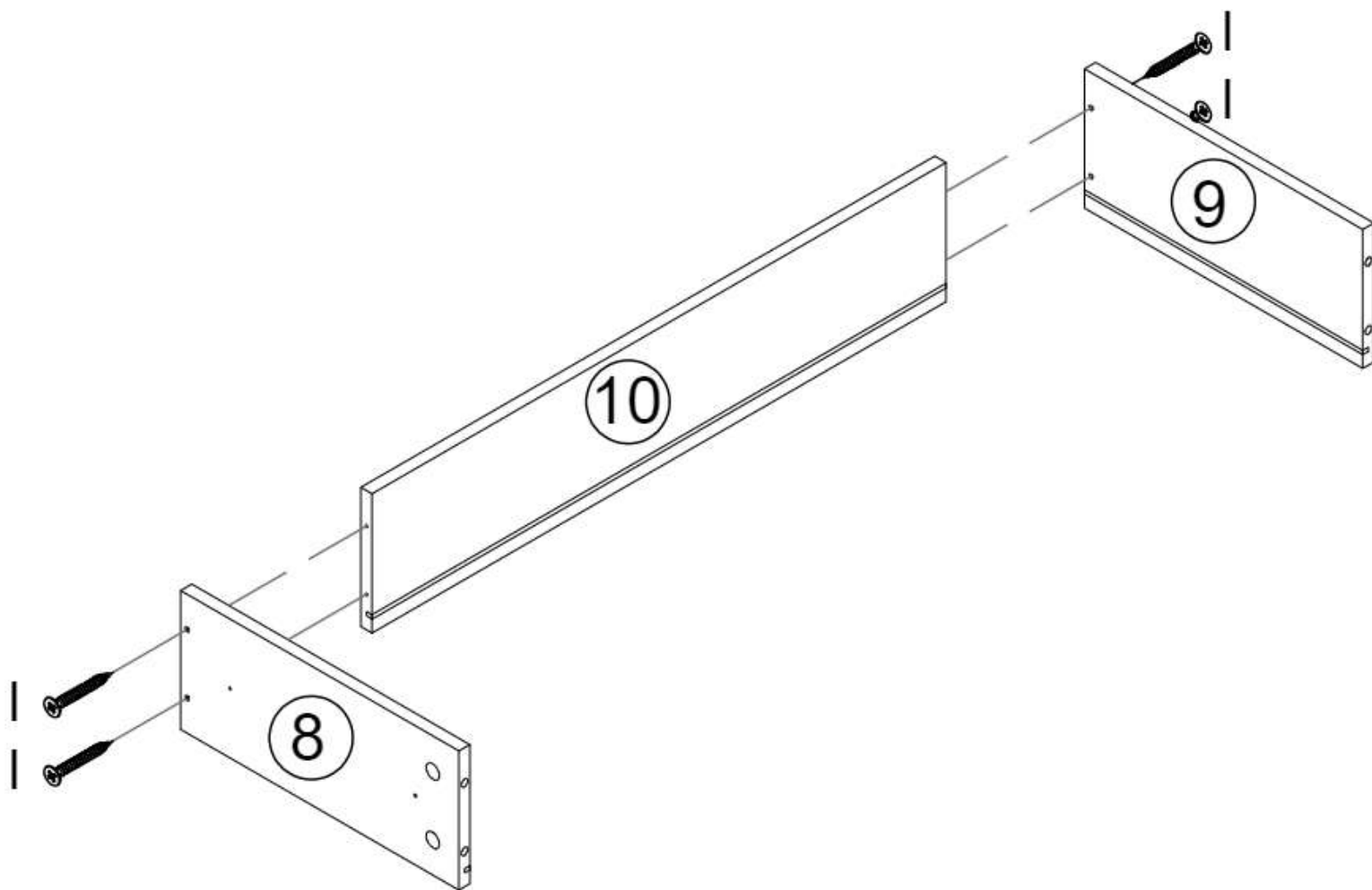


	D*8PCS
	E*8PCS

## Assembly Steps / Montageschritte

STEP 16

# X3

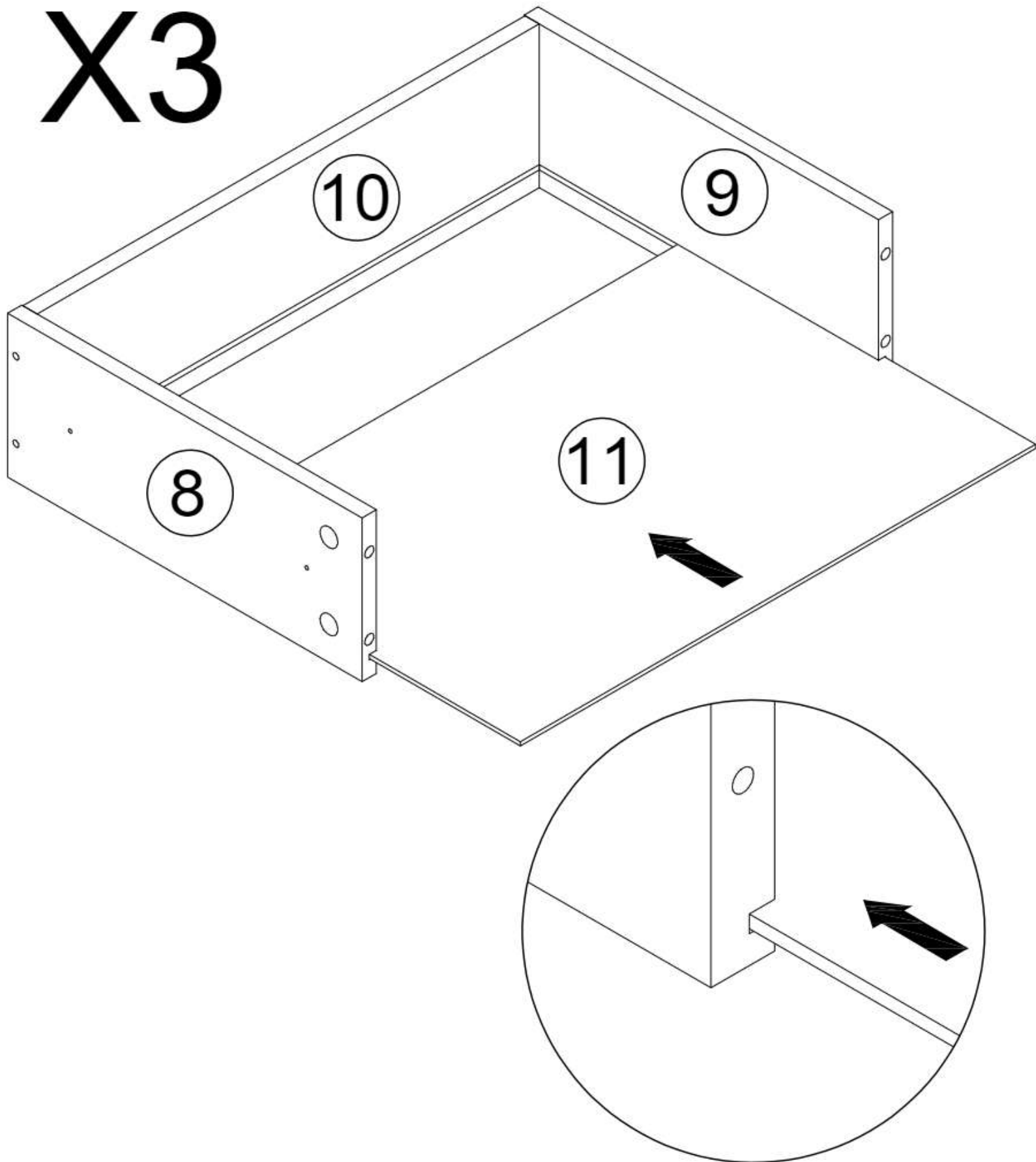


I\*12PCS

# Assembly Steps / Montageschritte

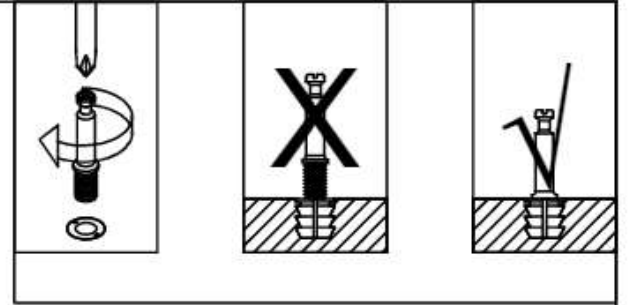
STEP 17

# X3

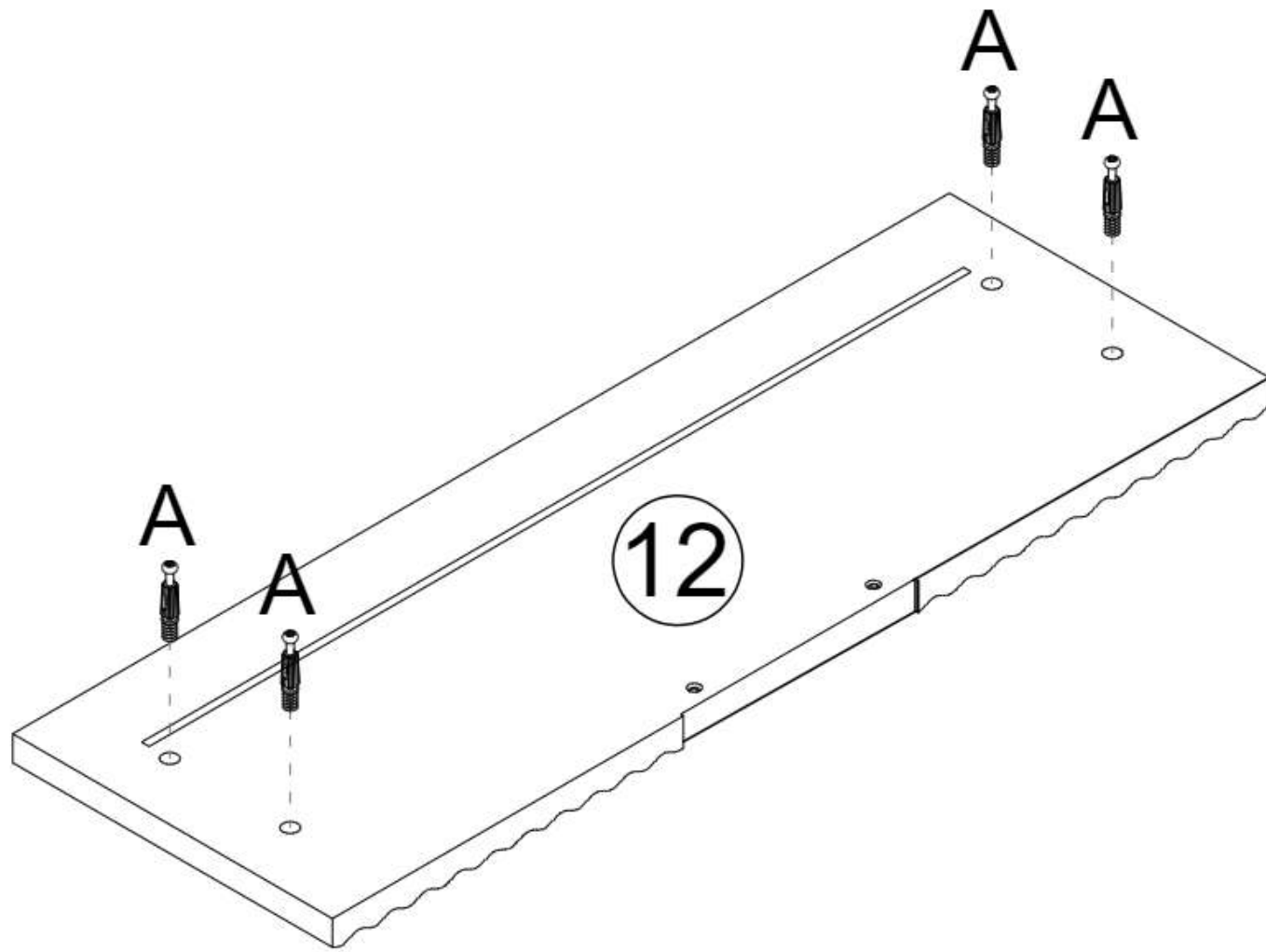


# Assembly Steps / Montageschritte

STEP 18



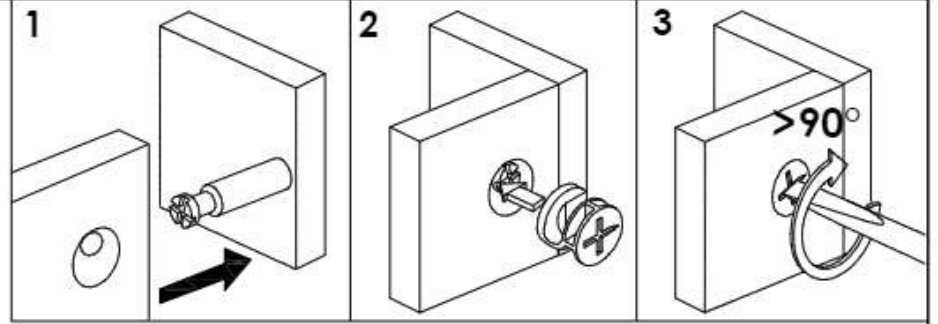
# X3



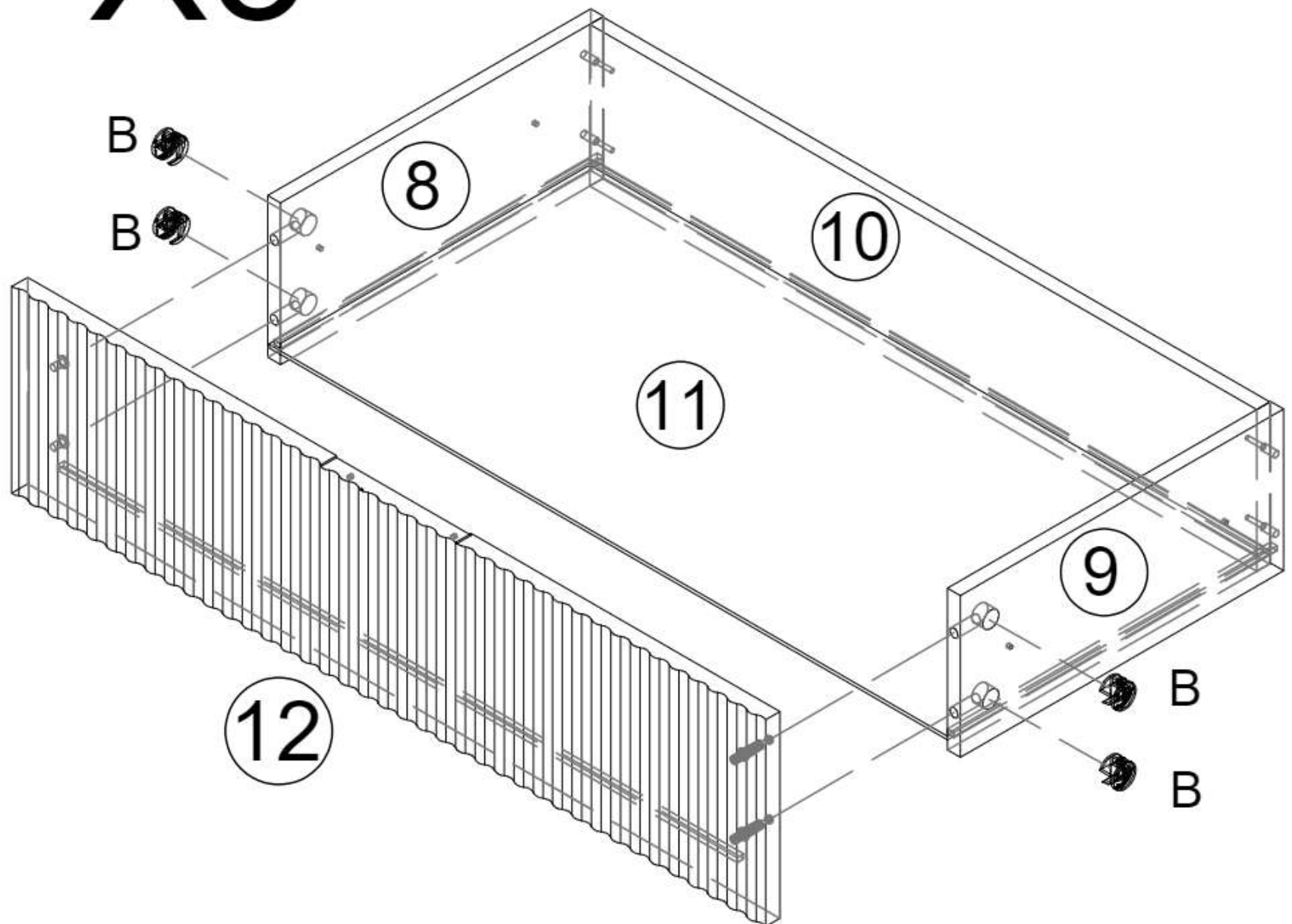
A\*12PCS

# Assembly Steps / Montageschritte

STEP 19



# X3

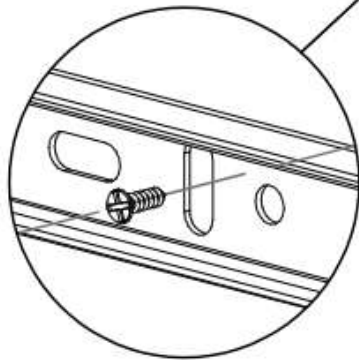
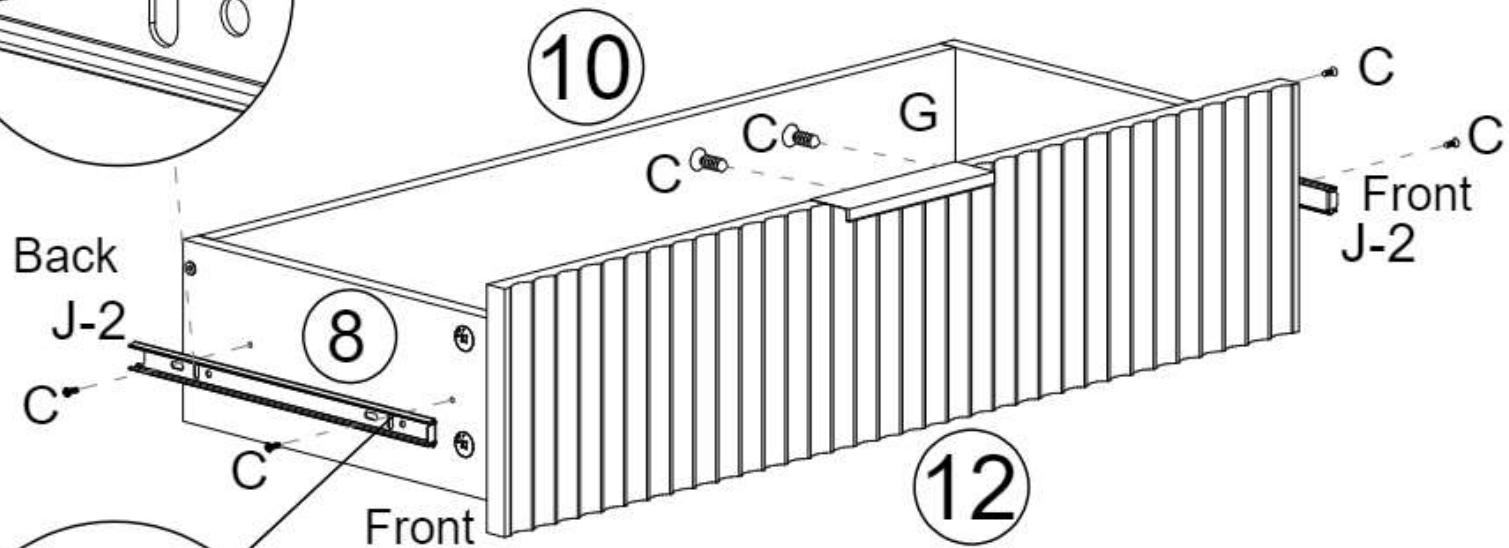
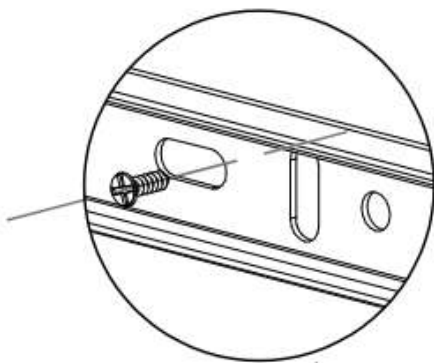


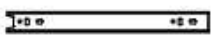
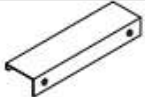

B\*12PCS

# Assembly Steps / Montageschritte

STEP 20

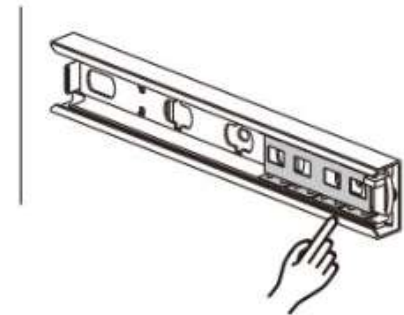
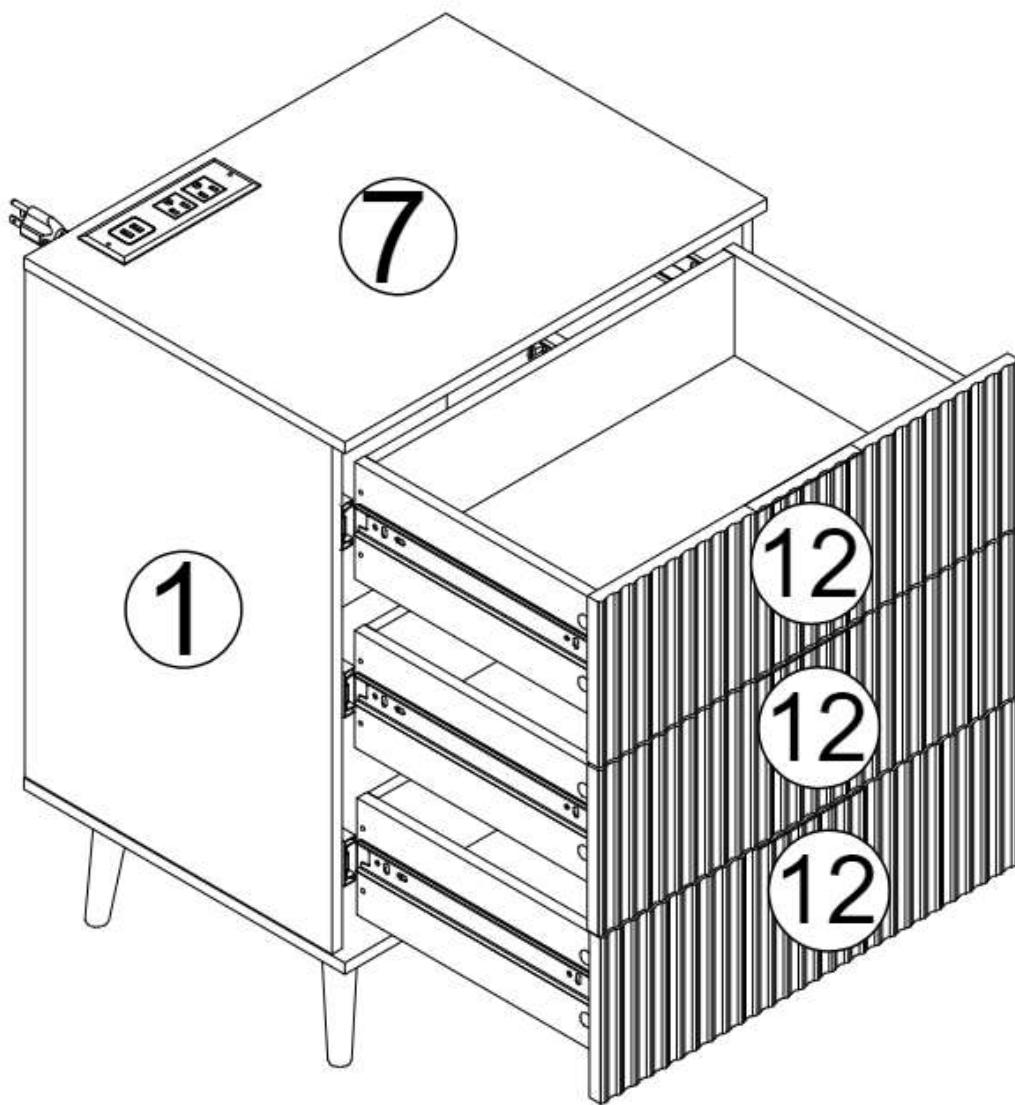
# X3



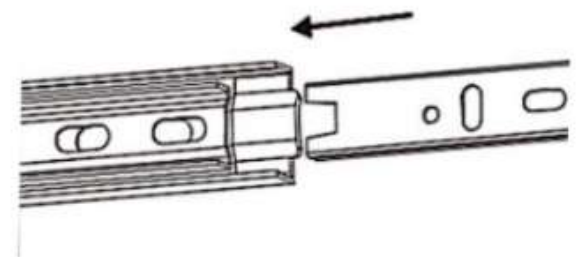
	J-2*6SET
	G*3PCS
	C*18PCS

## Assembly Steps / Montageschritte

### STEP 21



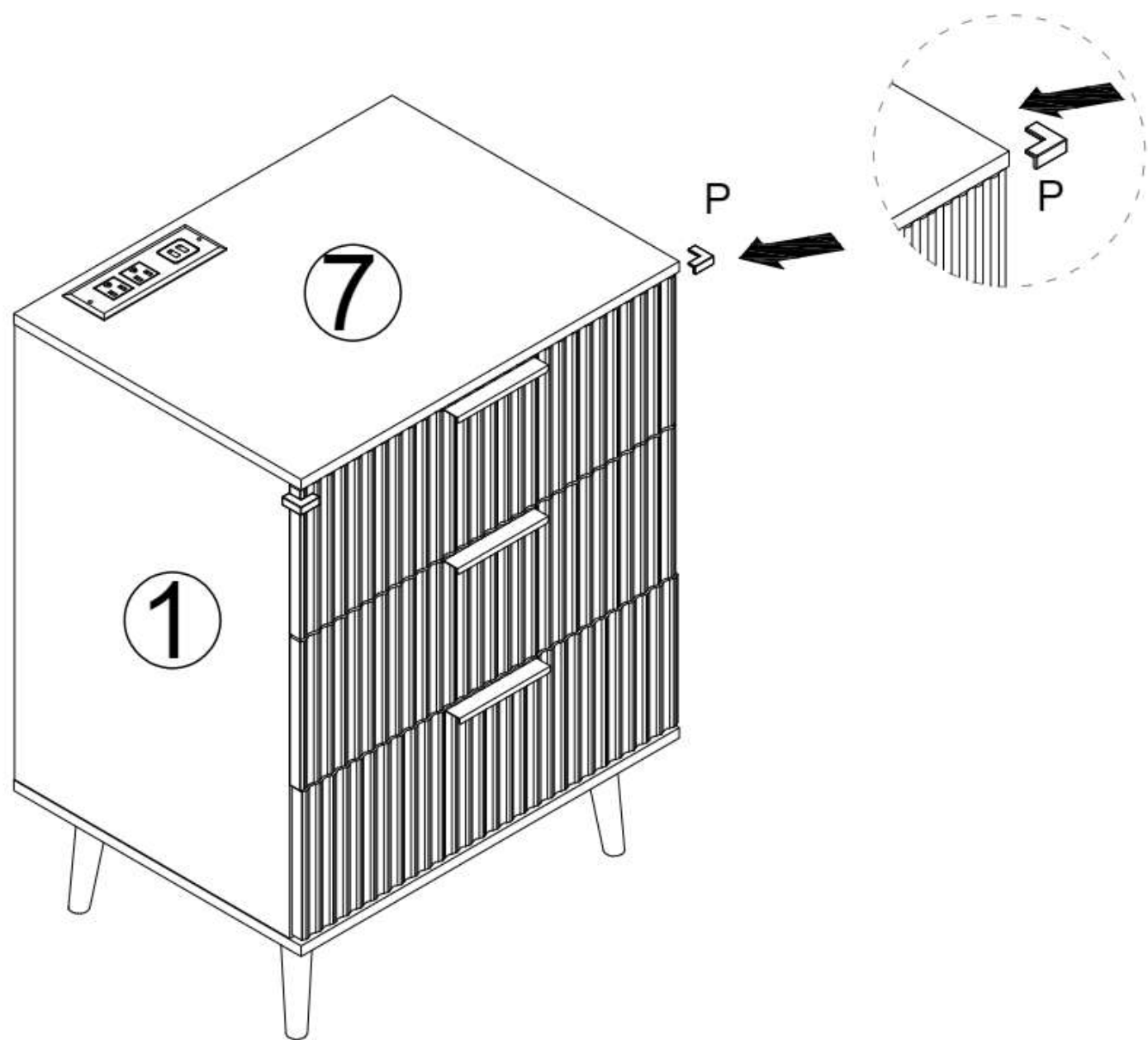
Move the balls of the slide rails on both sides to the position as shown in the figure



Slide rails on both sides are inserted into the slide groove at the same time

# Assembly Steps / Montageschritte

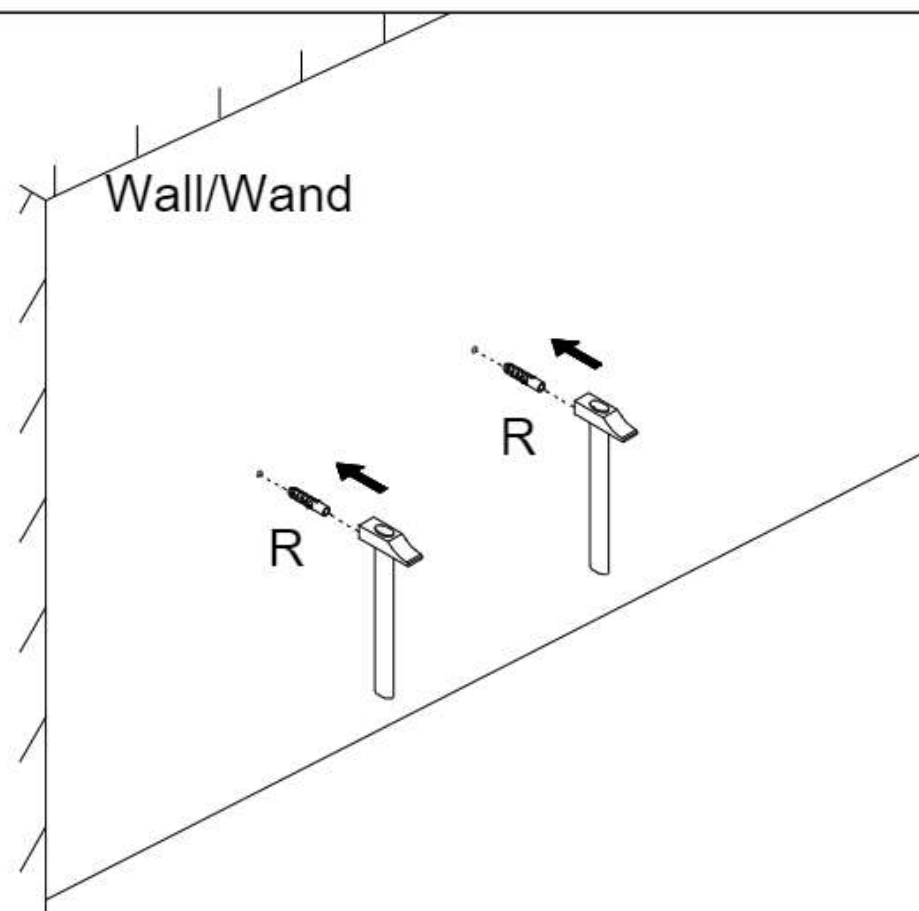
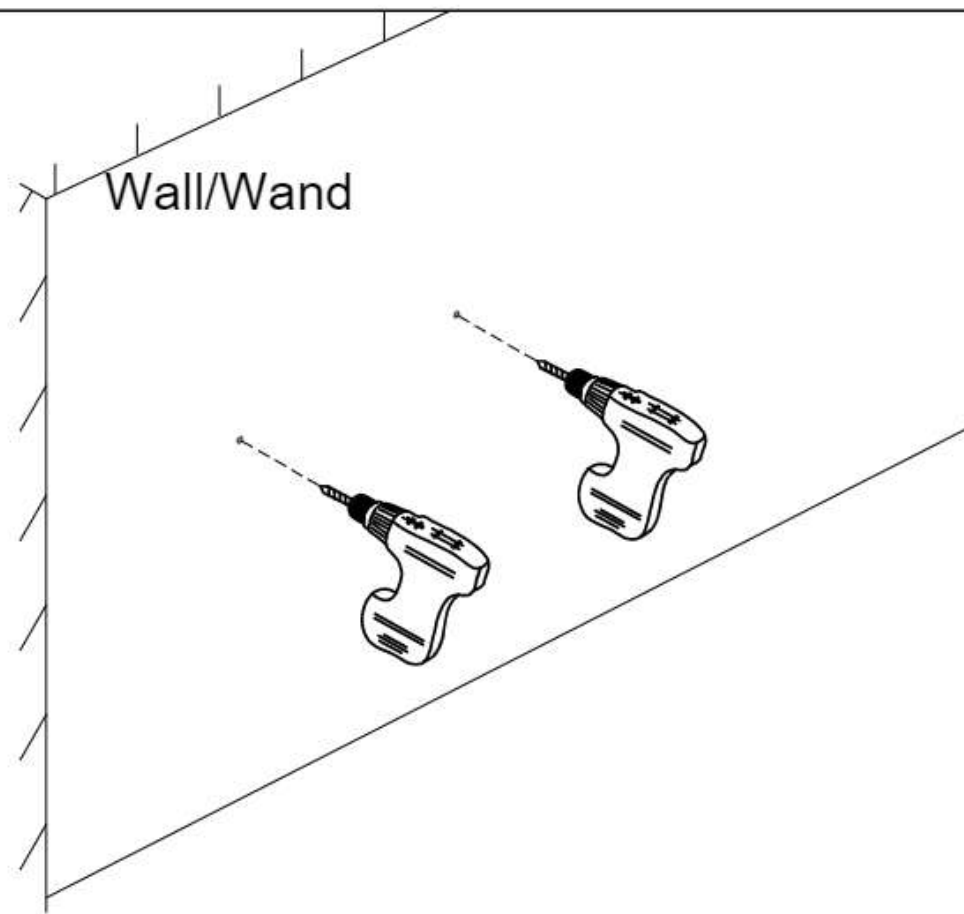
STEP 22



P\*2PCS

# Assembly Steps / Montageschritte

STEP 23

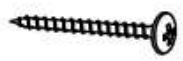
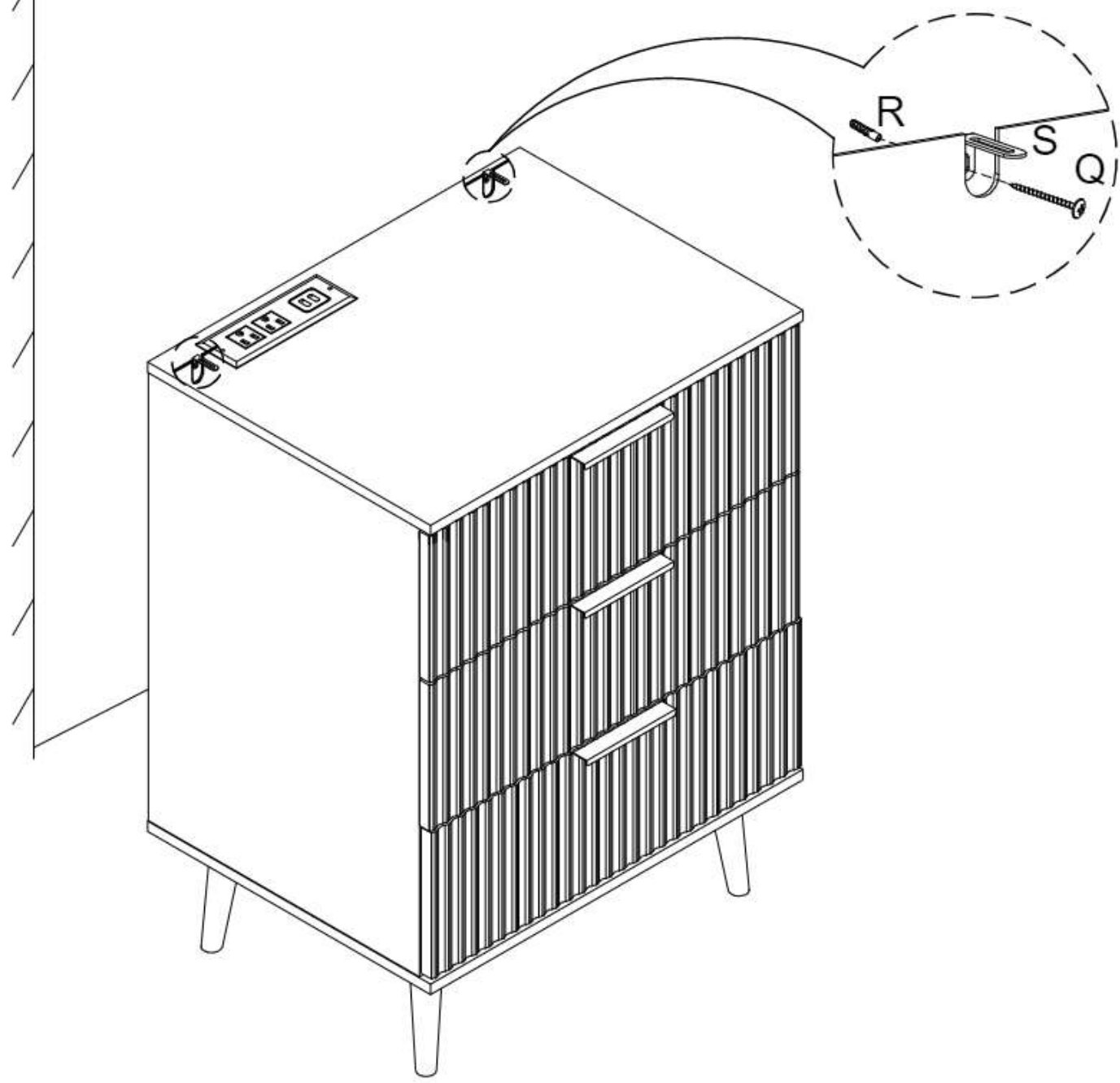


R\*2PCS

# Assembly Steps / Montageschritte

STEP 24

Wall/Wand



Q\*2PCS

## WARNING



Children have died from furniture tipover. To reduce the risk of furniture tipover:

**ALWAYS** install tipover restraint provided.

**NEVER** allow children to stand, climb or hang on drawers, doors, or shelves.

**NEVER** open more than one drawer at a time.

Place heaviest items in the lowest drawers.