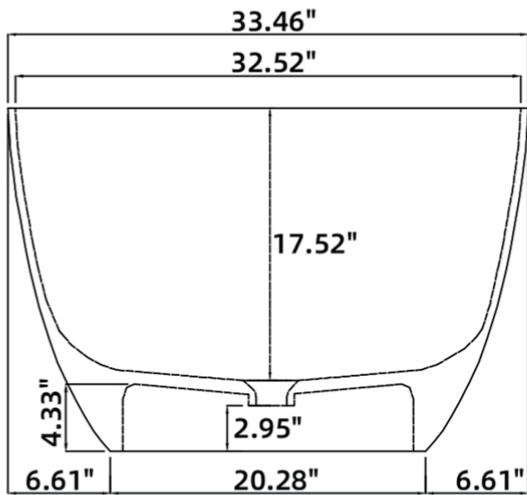
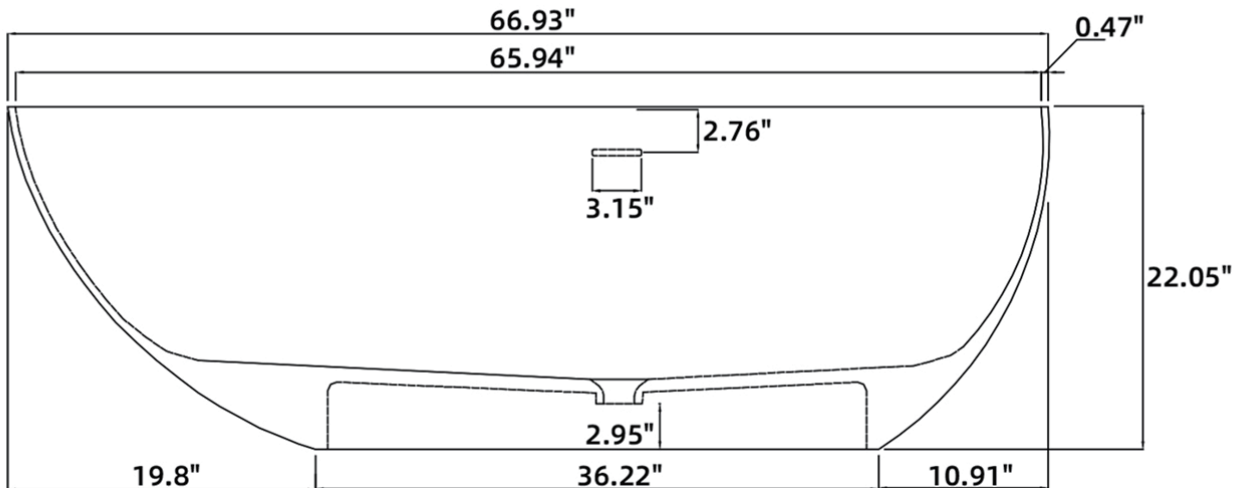


# Dimension/Specification



**Sku RX-S01-67MB**