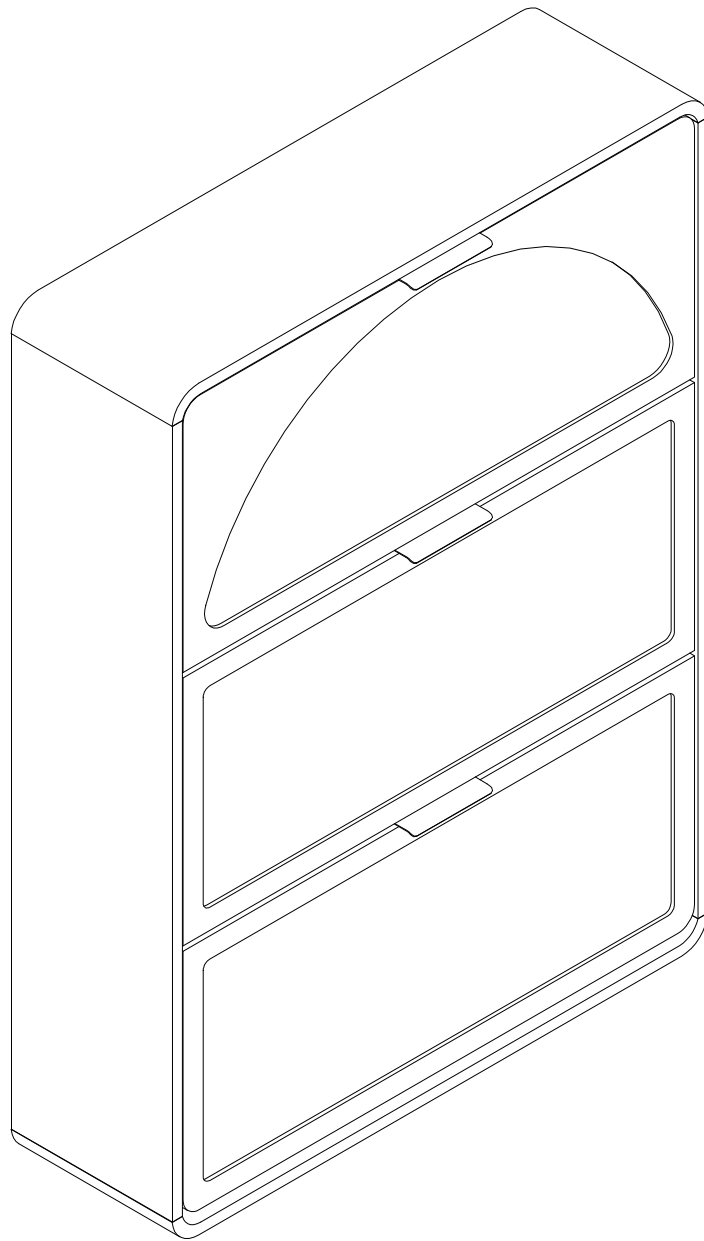


Assembly Instructions

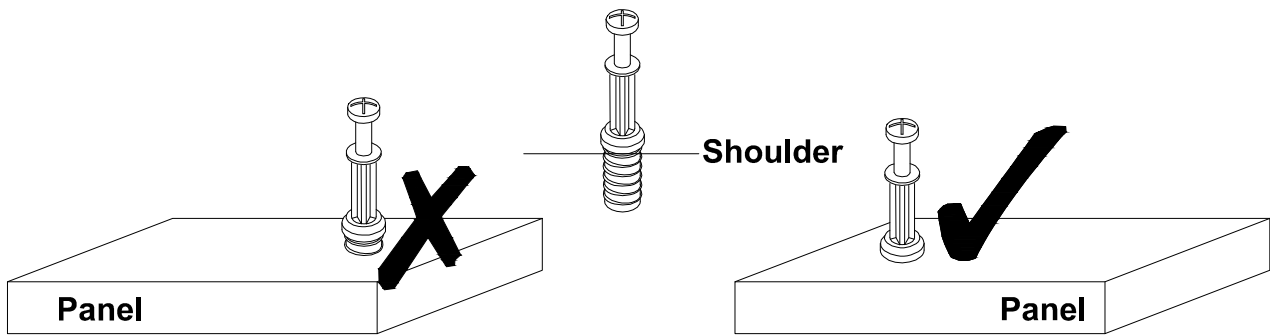


Before Assembly

Tips Before Your Start:

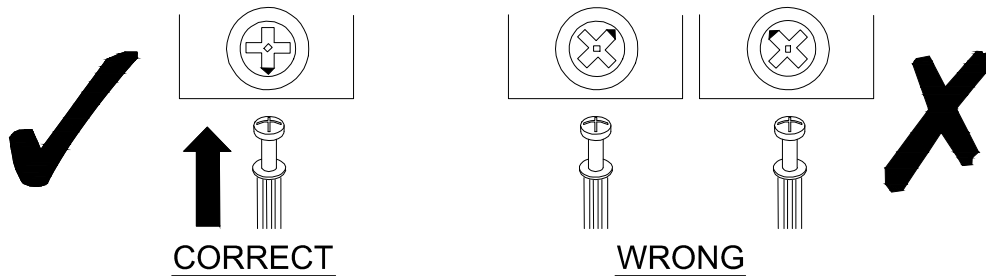
- Remove all wrapping material, including staples & packing straps before you start to assemble.
- DO NOT tighten all screws and bolts until the assembly is completely assembled.
- Keep all hardware parts out of reach of children.

QUICKFIT



Tighten quickfit until shoulder is flush with panel. Do not overtighten or undertighten.

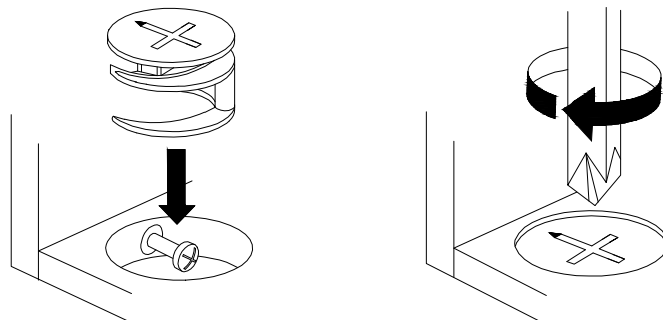
CAM LOCK



When fitting a cam lock, ensure the starting position is correct before inserting the connecting QUI CKFIT




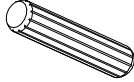
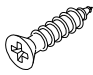
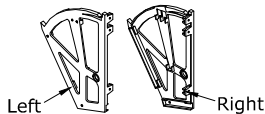
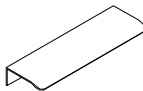
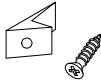

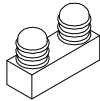
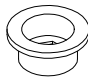

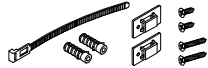
Quickfit head should be in the centre of the cam lock when the two panels are joined.

Cam lock should be inserted before quickfit.

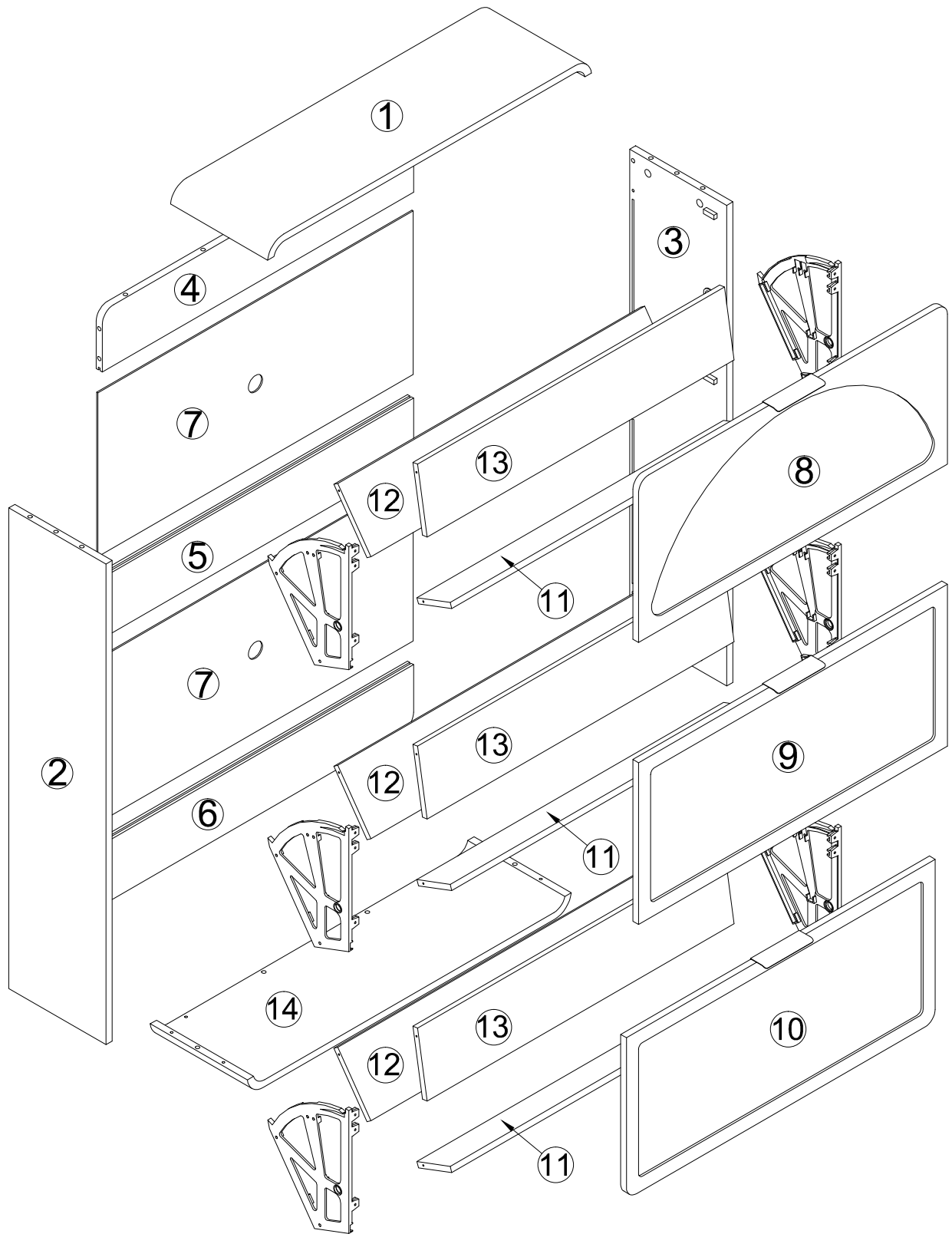


Turn cam lock clockwise to tighten.

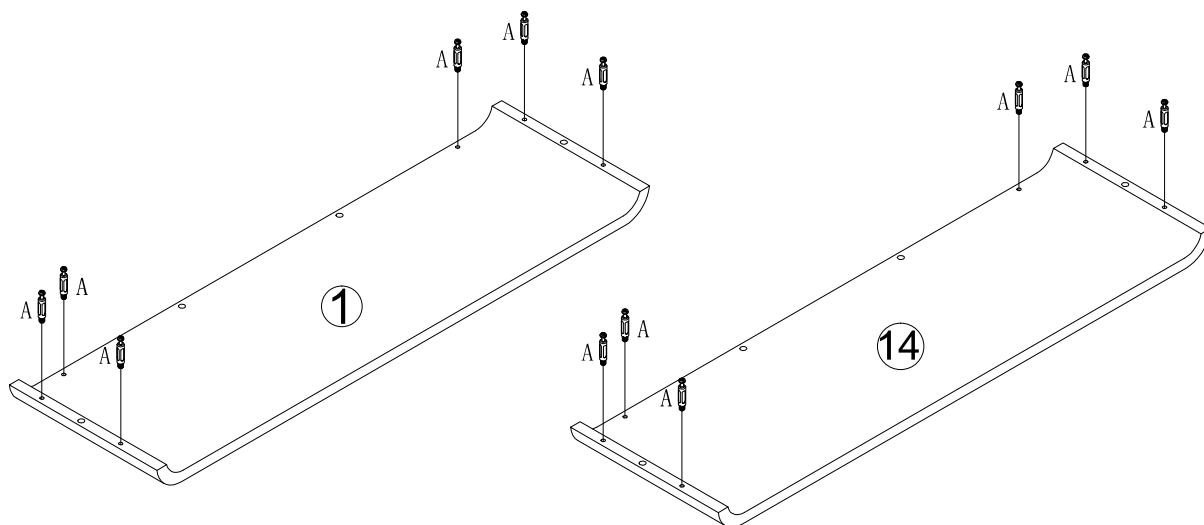
Part List

<p>No. A Quantity:20 Pcs Cam Lock Dowel 8*28mm</p> 	<p>No. B Quantity:20 Pcs Cam φ15</p> 	<p>No. C Quantity:20 Pcs Sticker Ø20</p> 	<p>No. D Quantity:12 Pcs Dowel 8*30mm</p> 
<p>No. E Quantity:48 Pcs Screw 3.5*14mm</p> 	<p>No. F Quantity:3 Sets Flip cover accessories</p> 	<p>No. G Quantity:3 Pcs Handle</p> 	<p>No. H Quantity:8 Sets Plastic Wedge</p> 
<p>No. I Quantity:4 Pcs Slip Mat Ø20</p> 	<p>No. J Quantity:6 Pcs Flip cover accessories 26*17*9</p> 	<p>No. K Quantity:6 Pcs Flip cover accessories Ø26*11</p> 	<p>No. L Quantity:6 Pcs Flip cover accessories Ø19*11</p> 
<p>No. M Quantity:1 Sets Anti-falling Parts</p> 			

Product structure



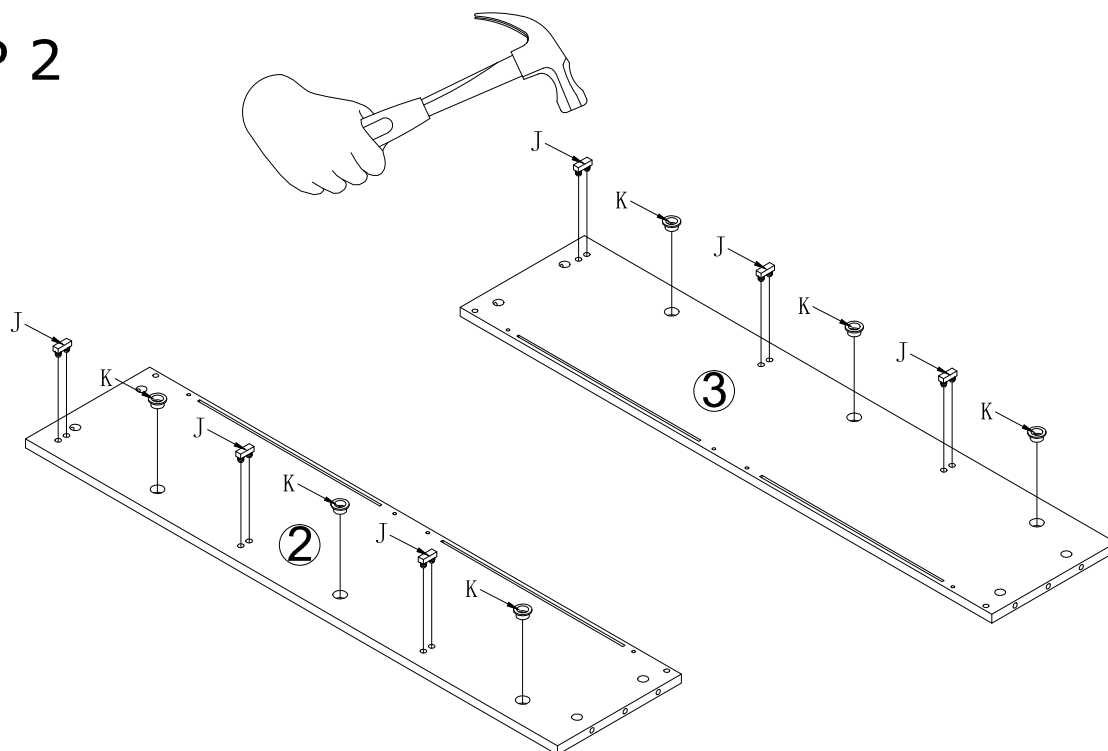
STEP 1



No. A
Quantity: 12 Pcs
8*28 mm



STEP 2



No. J
Quantity: 6 Pcs
26*17*9

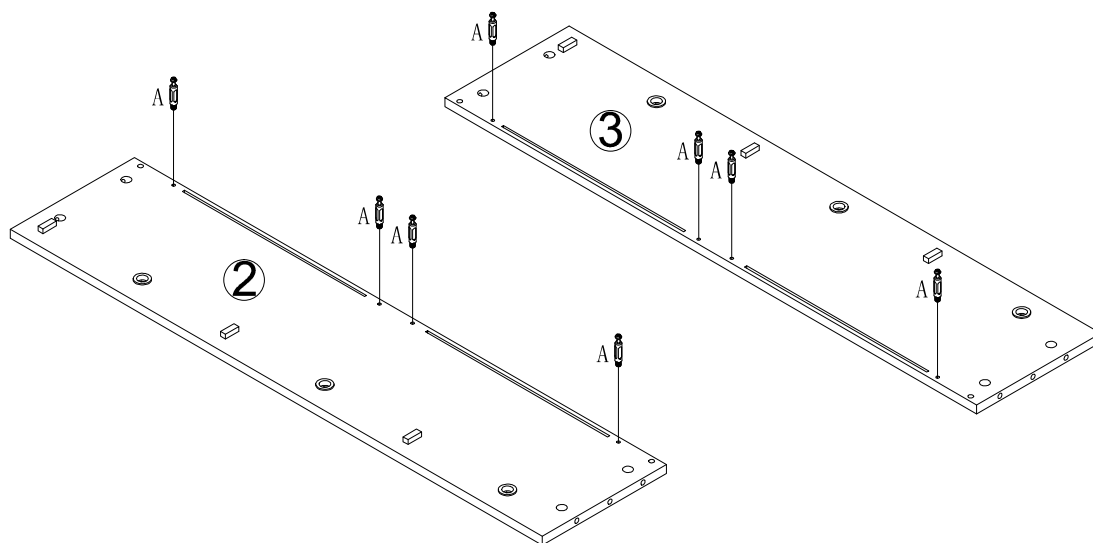


No. K
Quantity: 6 Pcs
Ø26*11



Note: Please knock the accessory into the groove of the board.

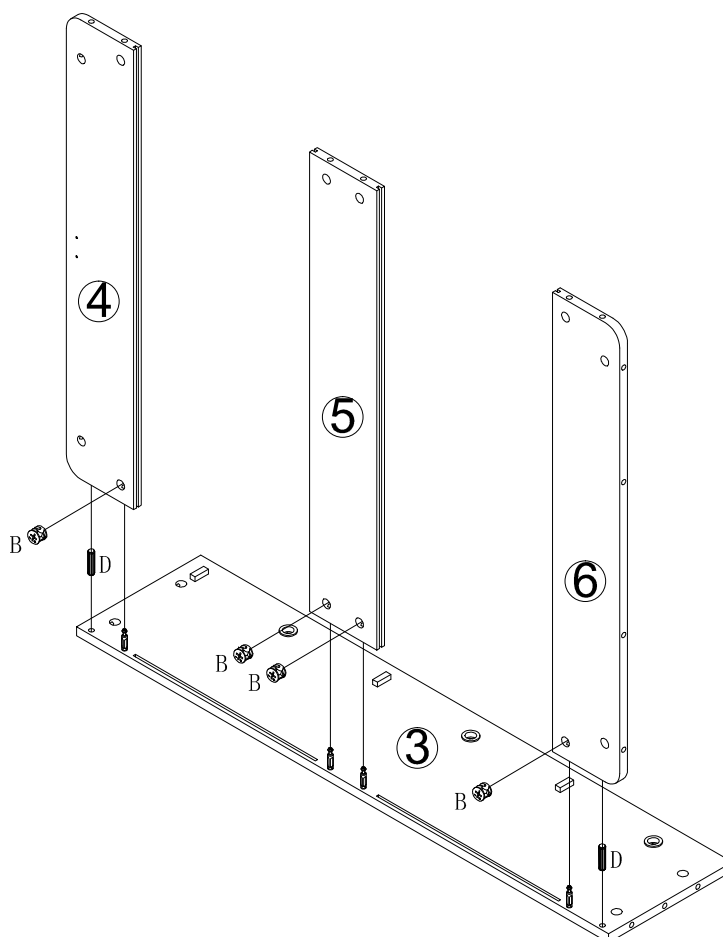
STEP 3



No. A
Quantity: 8 Pcs
8*28 mm



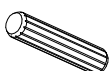
STEP 4



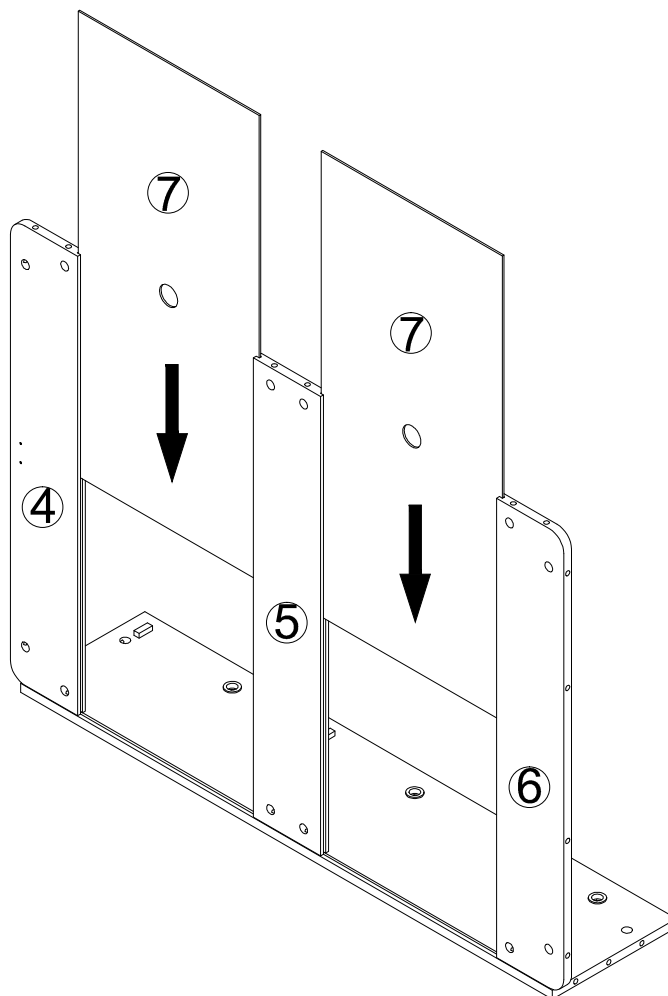
No. B
Quantity: 4 Pcs
Ø15



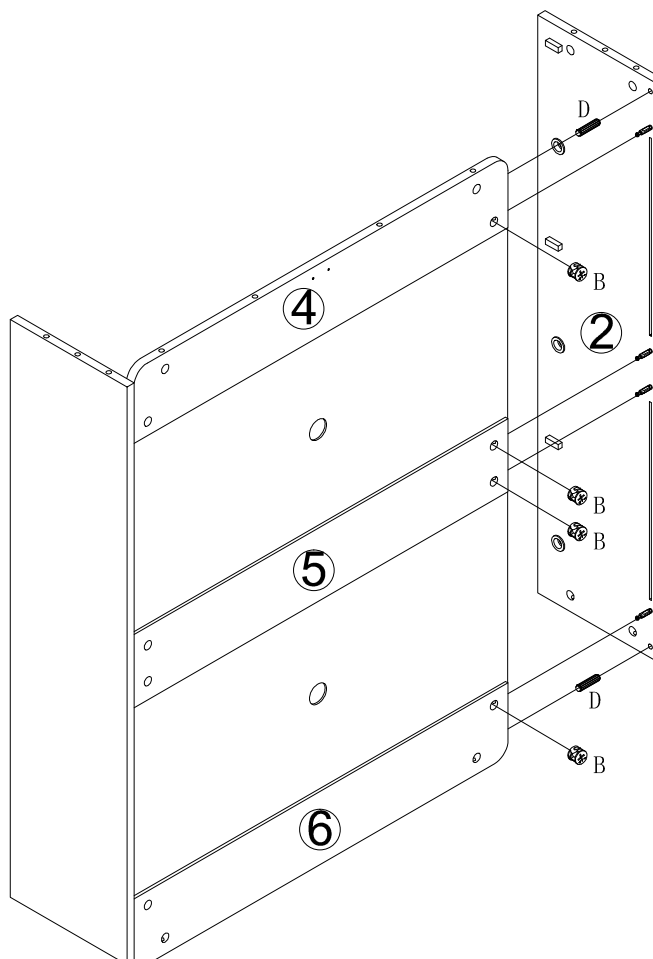
No. D
Quantity: 2 Pcs
8*30mm



STEP 5



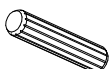
STEP 6



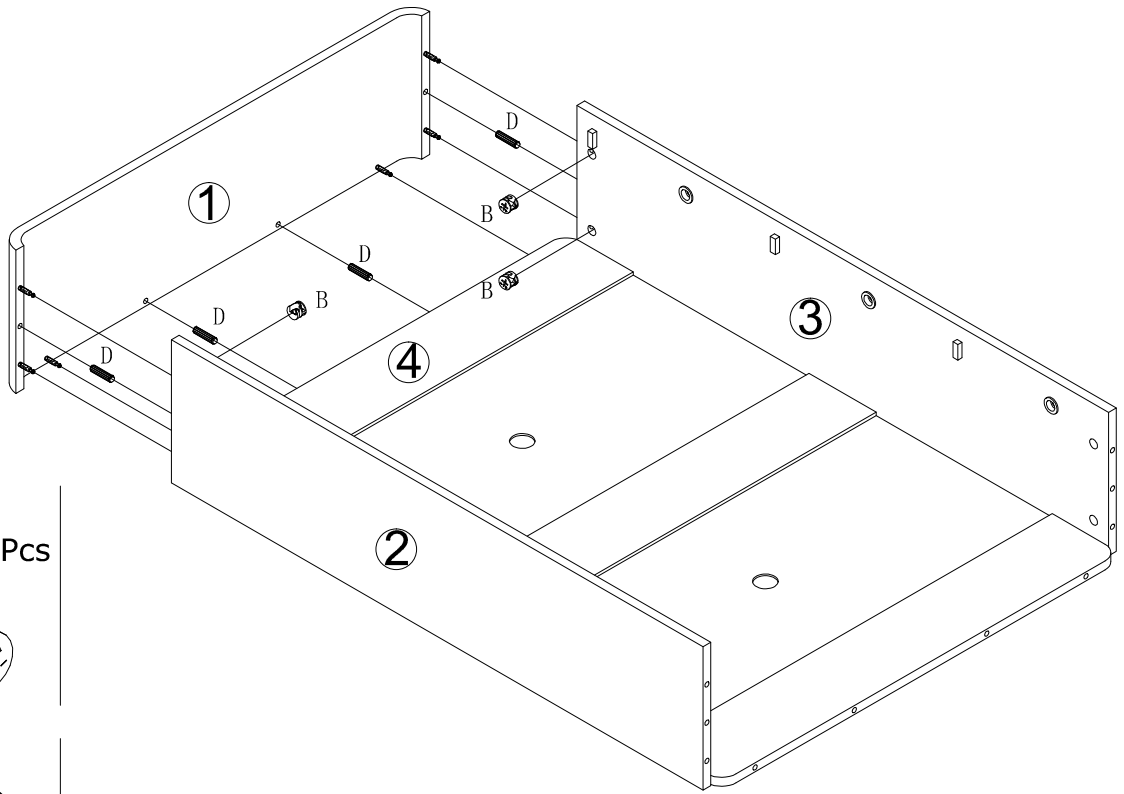
No. B
Quantity: 4 Pcs
Ø15



No. D
Quantity: 2 Pcs
8*30mm



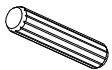
STEP 7



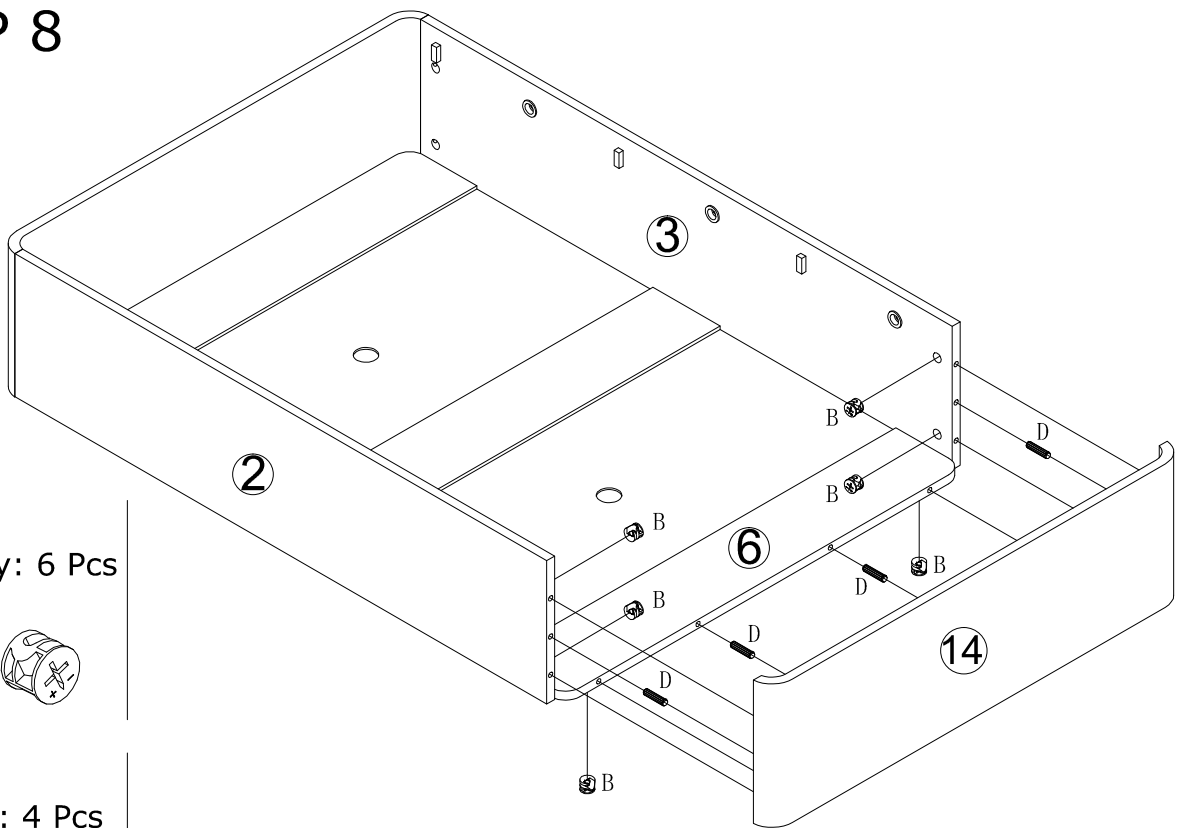
No. B
Quantity: 6 Pcs
Ø15



No. D
Quantity: 4 Pcs
8*30mm



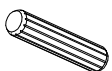
STEP 8



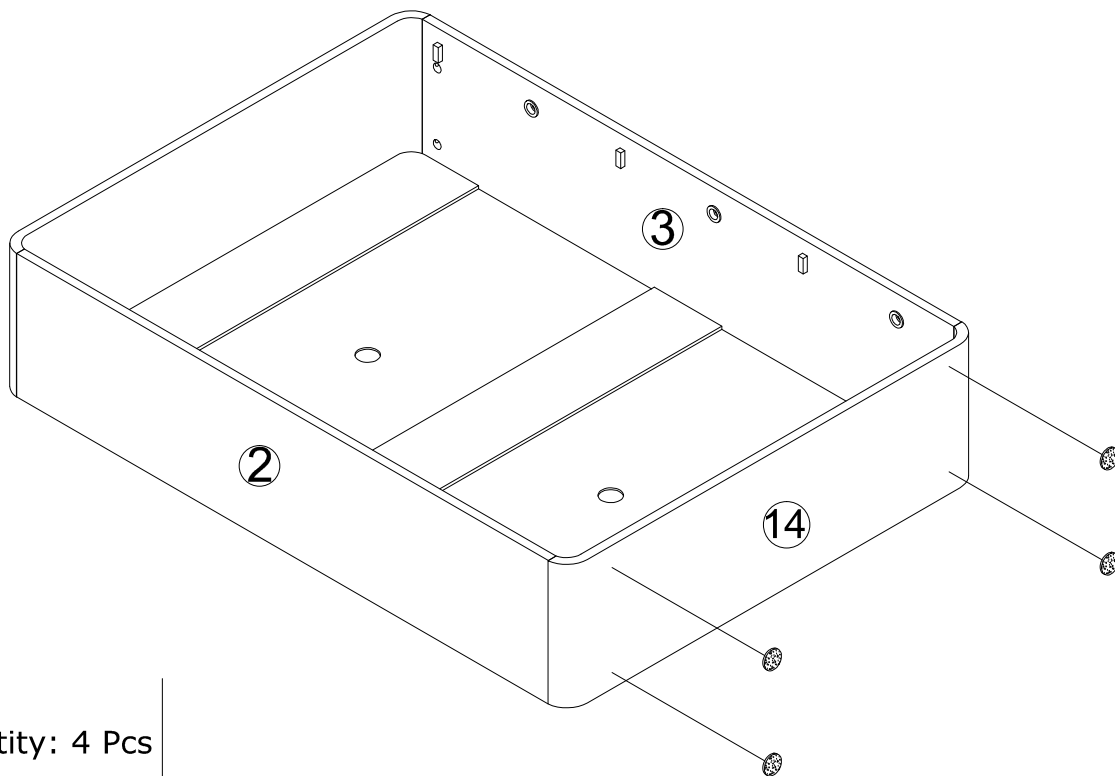
No. B
Quantity: 6 Pcs
Ø15



No. D
Quantity: 4 Pcs
8*30mm



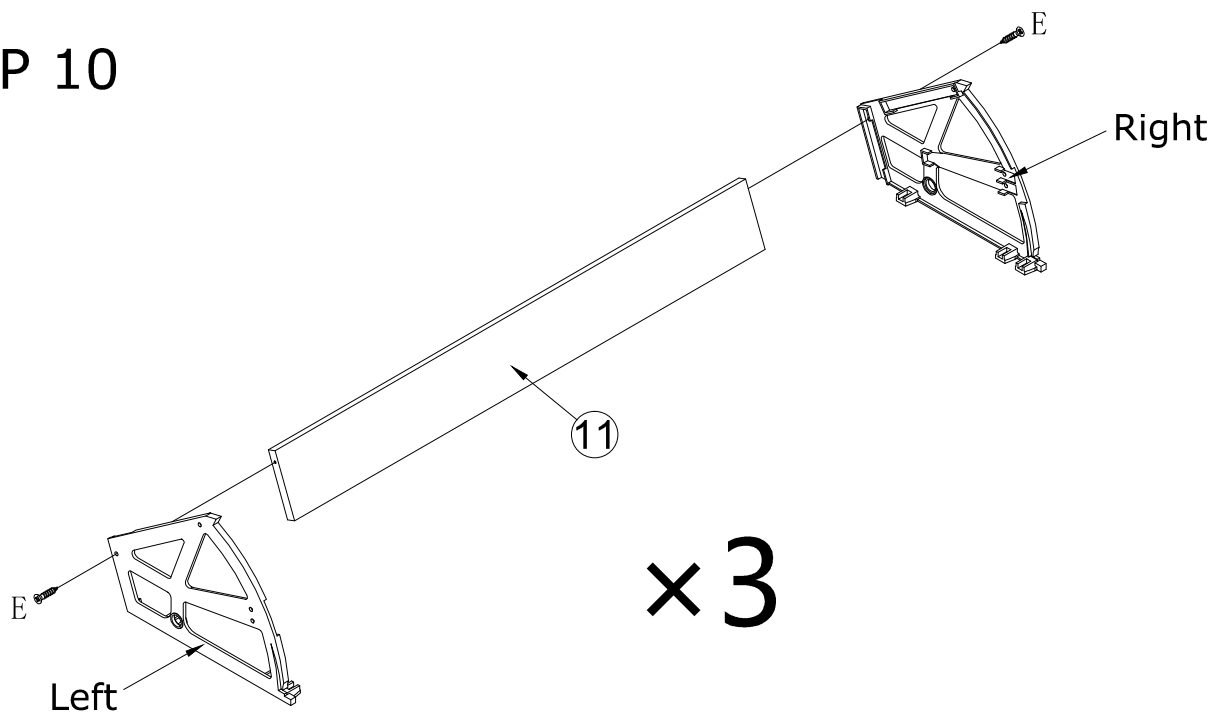
STEP 9



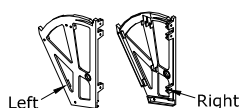
No. I
Quantity: 4 Pcs
Ø20



STEP 10



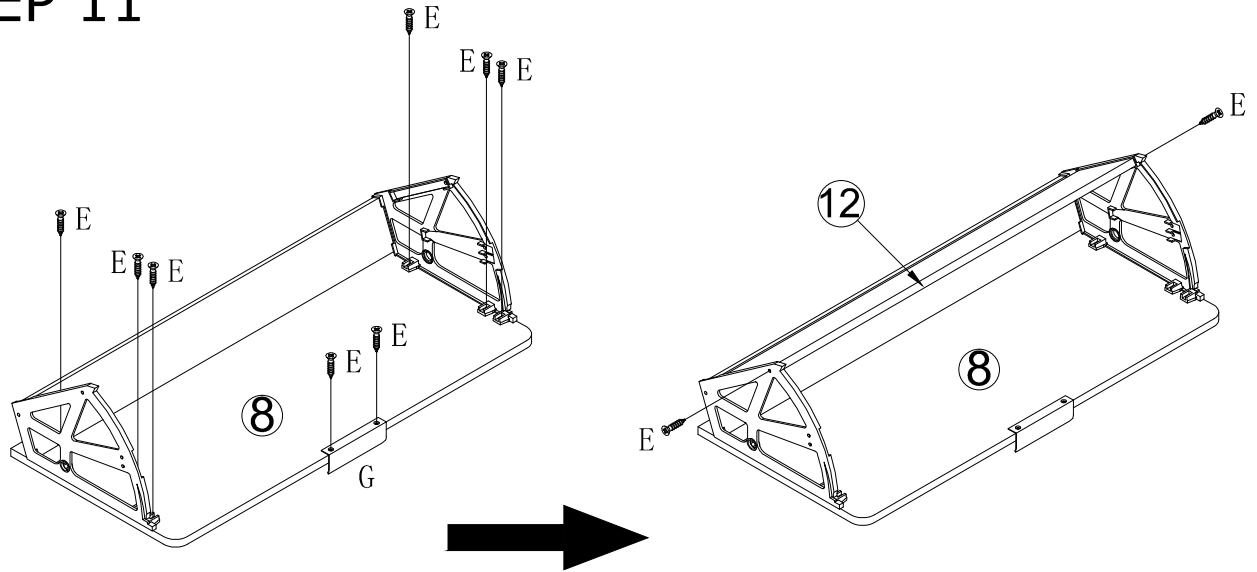
No. M
Quantity: 3 Sets



No. E
Quantity: 6 Pcs
M3.5*14mm



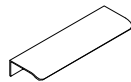
STEP 11



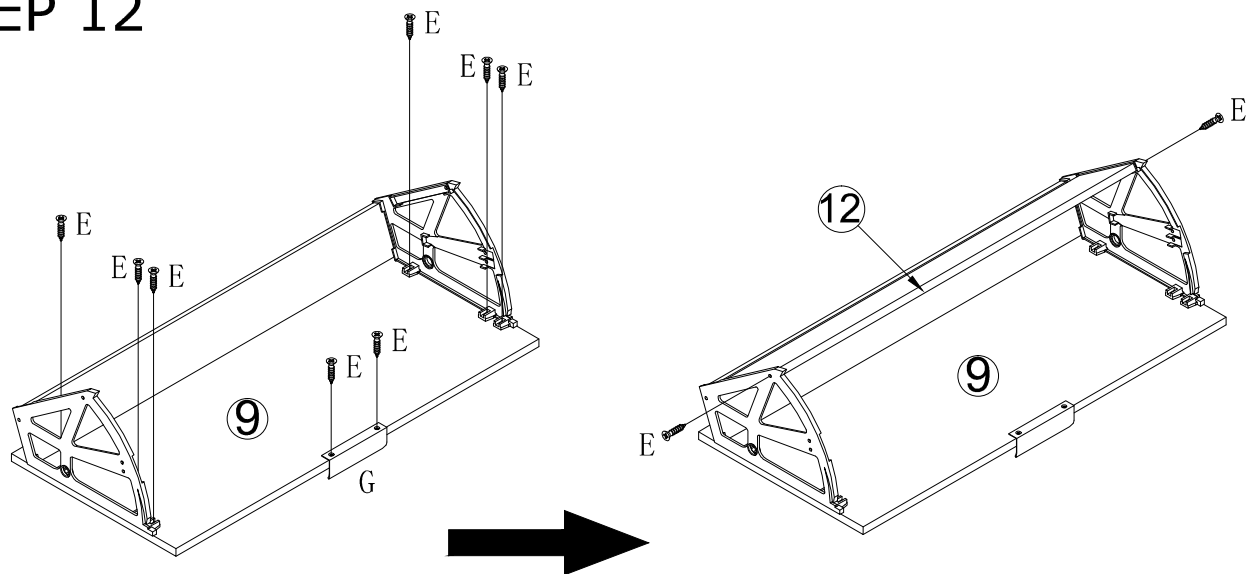
No. E
Quantity: 10 Pcs
M3.5*14mm



No. G
Quantity: 1 Pcs



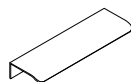
STEP 12



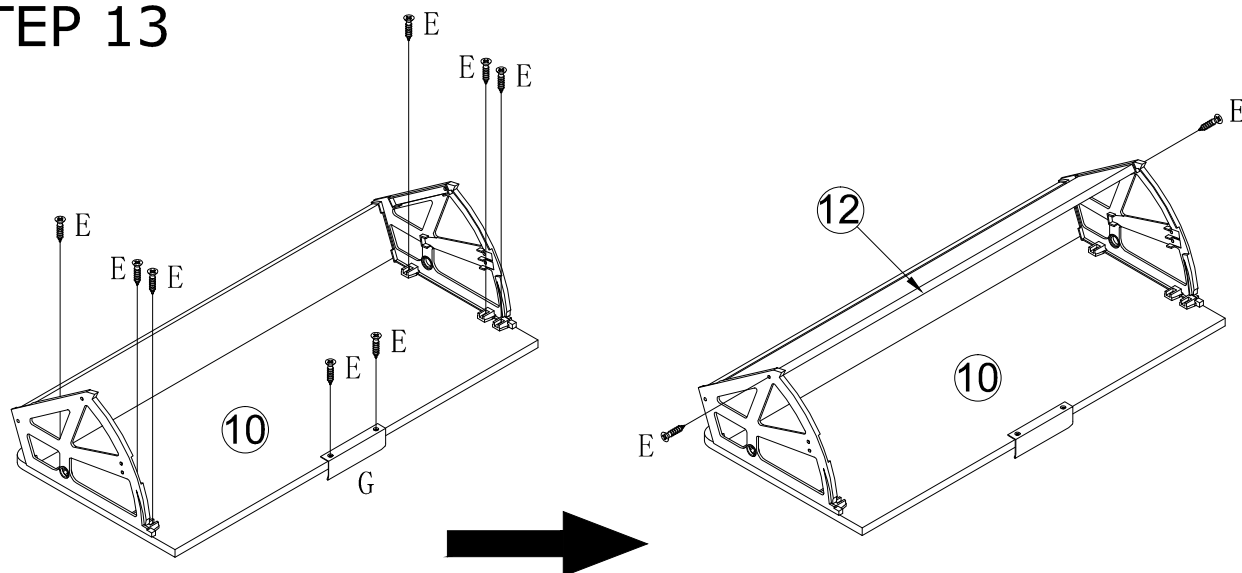
No. E
Quantity: 10 Pcs
M3.5*14mm



No. G
Quantity: 1 Pcs



STEP 13



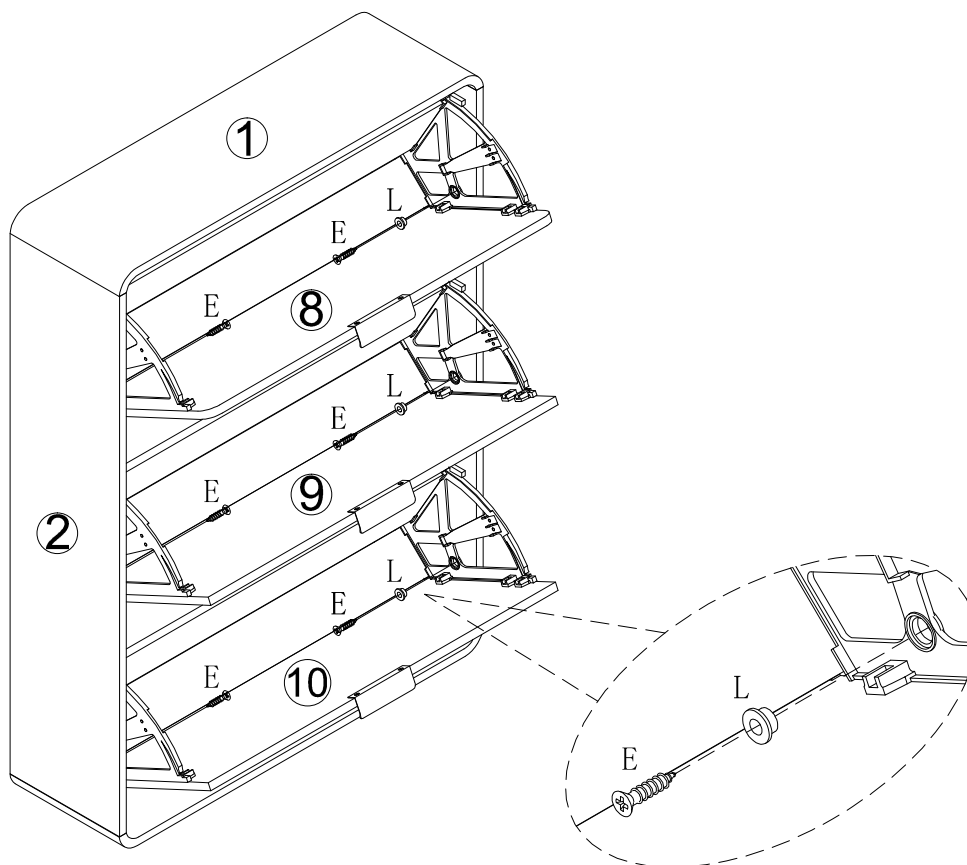
No. E
Quantity: 10 Pcs
M3.5*14mm



No. G
Quantity: 1 Pcs



STEP 14



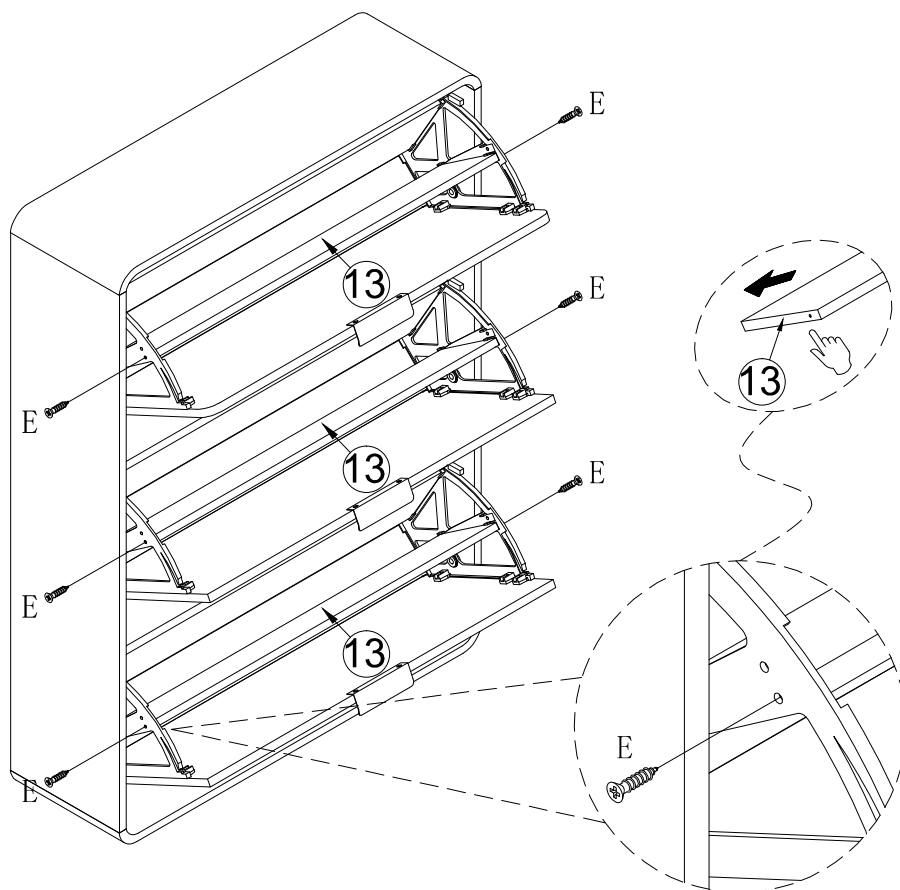
No. E
Quantity: 6 Pcs
M3.5*14mm



No. L
Quantity: 6 Pcs
Ø19*11



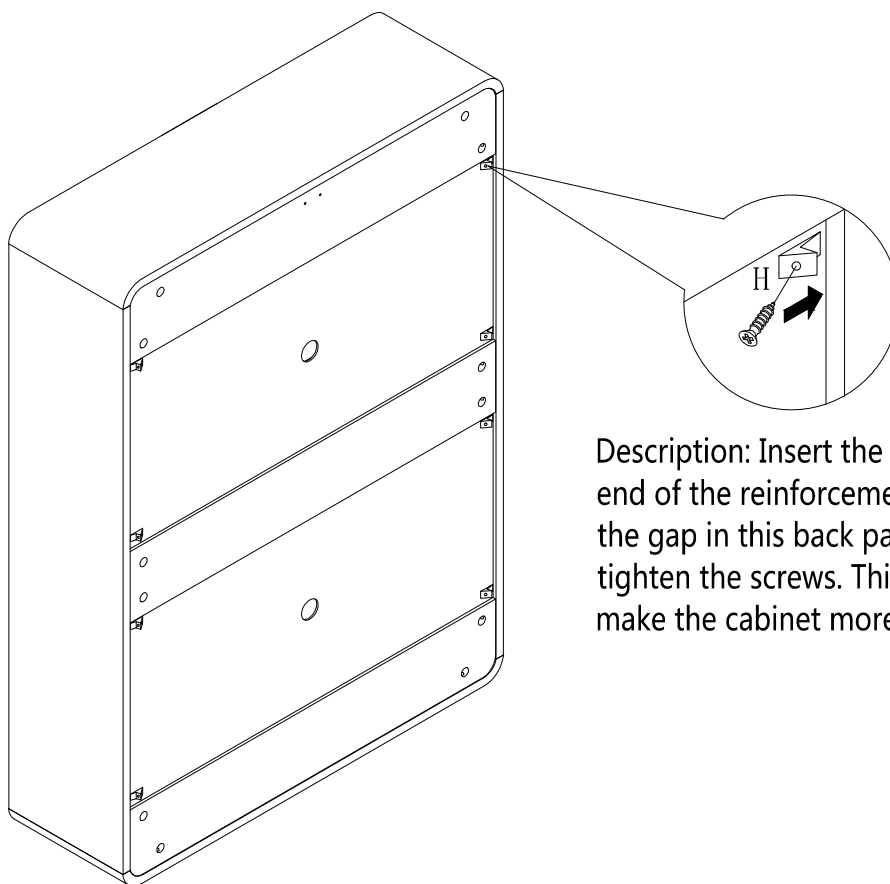
STEP 15



No. E
Quantity: 6 Pcs
M3.5*14mm

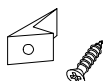


STEP 16

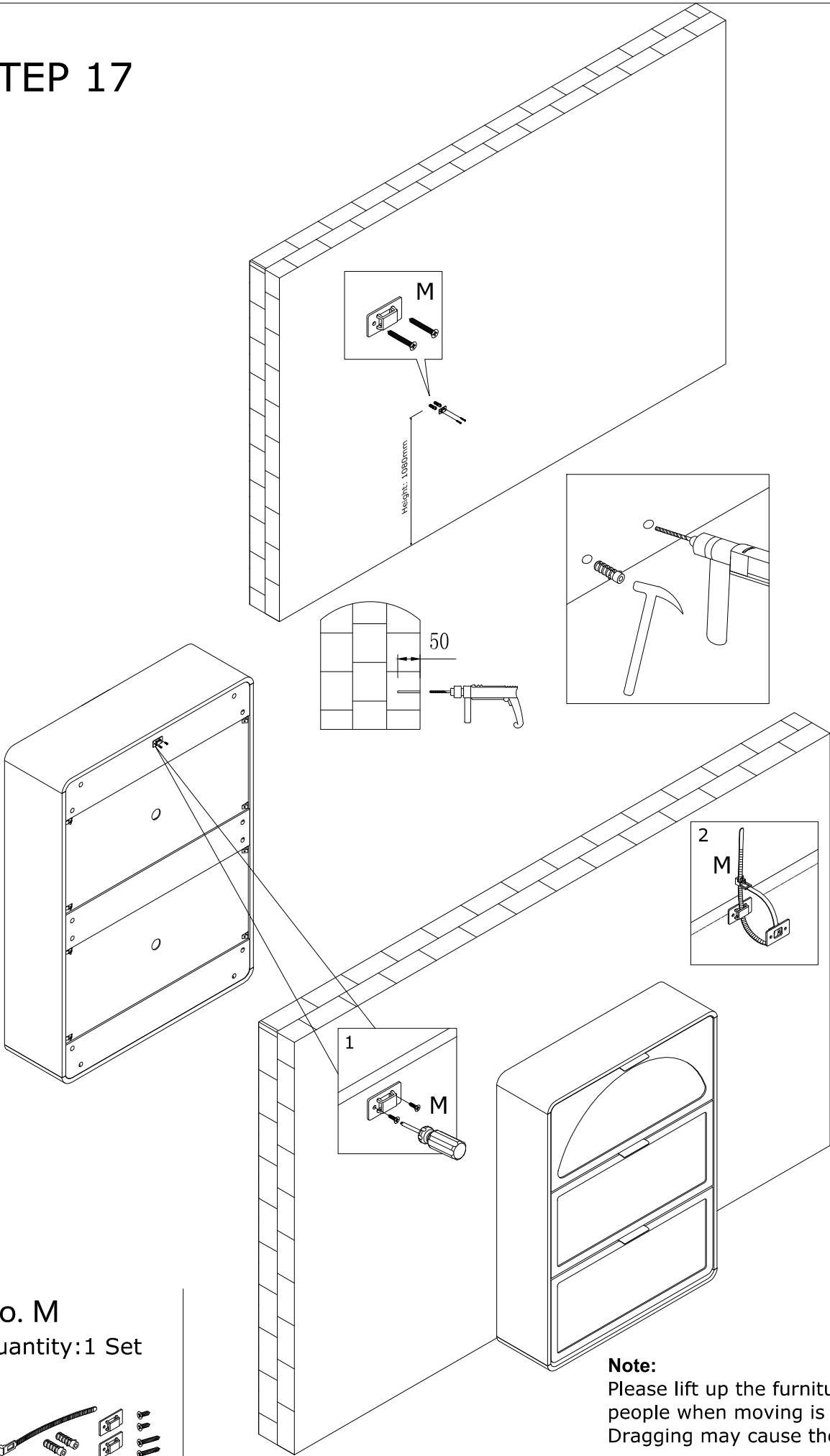


Description: Insert the thinner end of the reinforcement into the gap in this back panel, then tighten the screws. This will make the cabinet more stable.

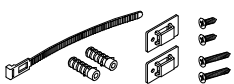
No. H
Quantity: 8 Sets



STEP 17



No. M
Quantity: 1 Set



Note:
Please lift up the furniture by two people when moving is needed.
Dragging may cause the legs failure.