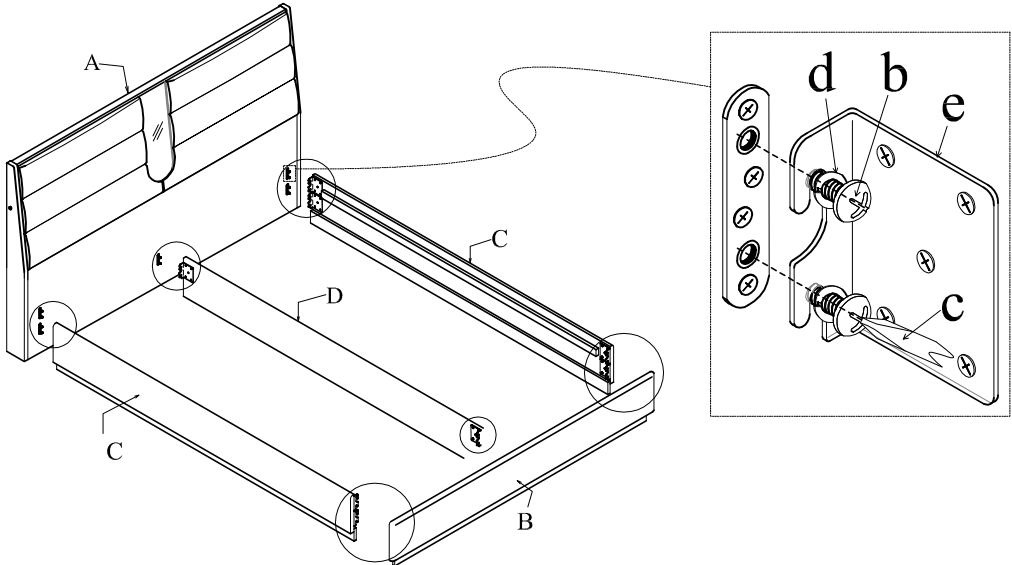


# ASSEMBLY INSTRUCTION

Thank you for purchasing this quality product. Be sure to check all packing material carefully for small parts that may have come loose inside the carton during shipment.

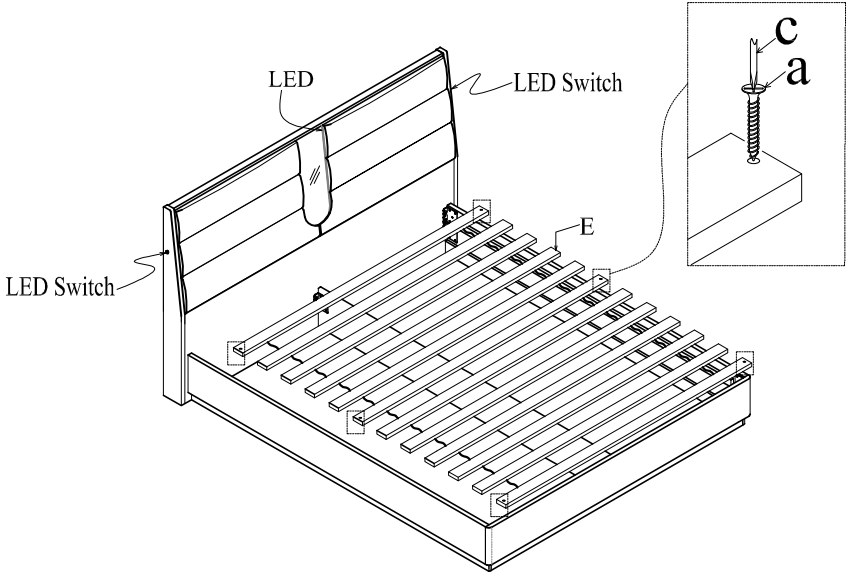
**STEP 1**



**PART LIST**

No	DESCRIPTION	SKETCH	QTY
A	Headboard		1pc
B	Footboard		1pc
C	Side Rail		2pcs
D	Center Rail		1pc
E	Slat		1set

**STEP 2**



**HARDWARE LIST**

No	DESCRIPTION	SKETCH	QTY
a	CSK Screw M4 x 32mm		6pcs
b	JCBC Screw M6 x 15mm		20pcs
c	Phillips head screwdriver		1pc
d	Spring Washer M8		20pcs
e	Plat		10pcs