

Assembly Instruction

RC : Reversible Chaise with Hidden Storage
(Chaise arms are stored in LL)

LL : Reversible 2-Seater with Pull-out Bed
(Back rest is stored in RC)

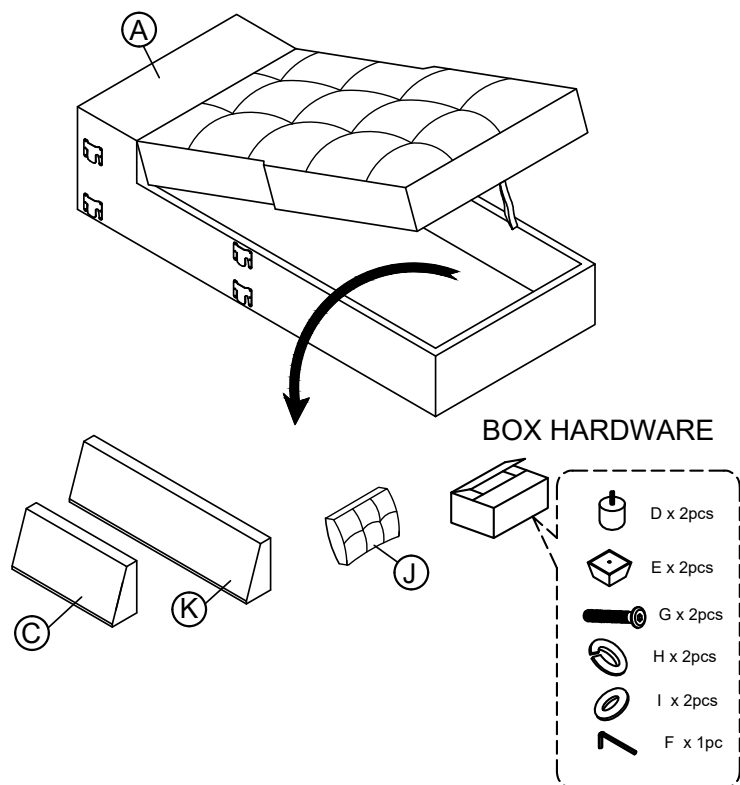


Legs and hardware are stored in the box, please take out for assembly

NOTE: Do not use power tools for assembly. Power tools increase the risk of over tightening which lead to splitting or cracking the wood.

STEP 1

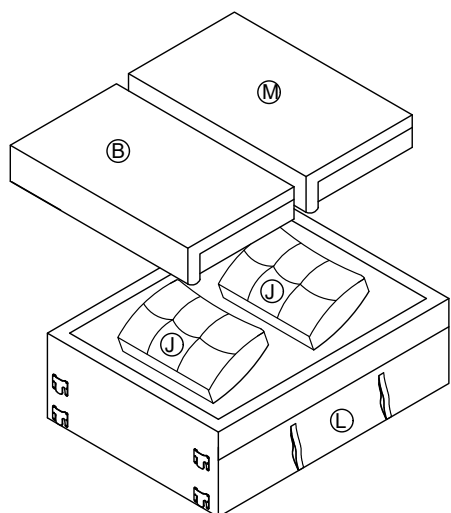
RC



PARTS LIST -RC

No.	Description	Diagram	Quantity
A	Chaise Seat Frame		1
B	Chaise Arm (PACKED in LL)		1
C	Chaise Back Rest		1
D	Rear Plastic Leg (50x50x50MM)		2
E	Front Wooden Leg (90x90x50MM)		2
F	Allen Wrench M4		1
G	Bolt 5/16"-18 x 1-3/4" L		2
H	Lock Washer 5/16"		2
I	Flat Washer 5/16"		2
J	Back Cushion		1

LL



PARTS LIST -LL

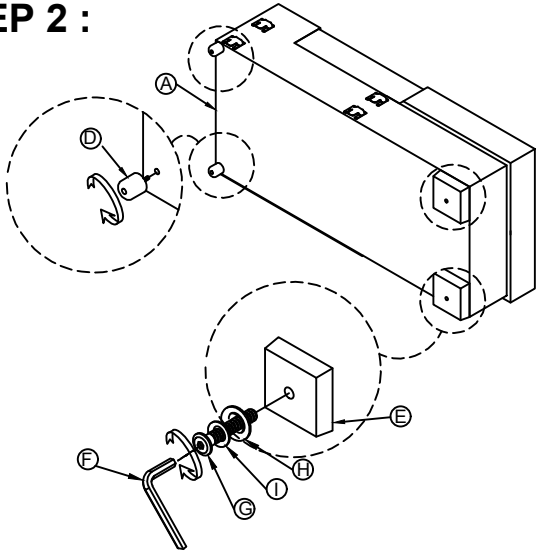
No.	Description	Diagram	Quantity
K	Love Seat Back Rest (PACKED in RC)		1
L	Love Seat Seat Frame		1
M	Love Seat Arm		1
J	Back Cushion		2

Assembly Instruction

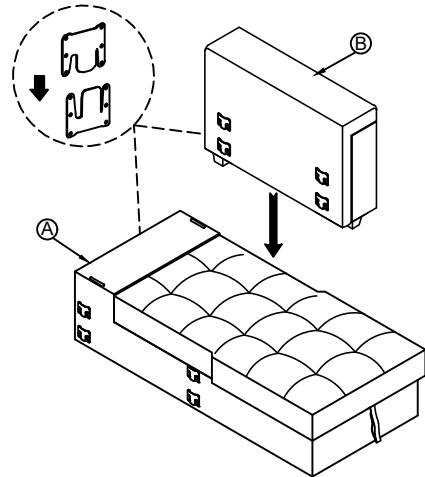
RC : Reversible Chaise with Hidden Storage
(Chaise arms are stored in LL)

LL : Reversible 2-Seater with Pull-out Bed
(Back rest is stored in RC)

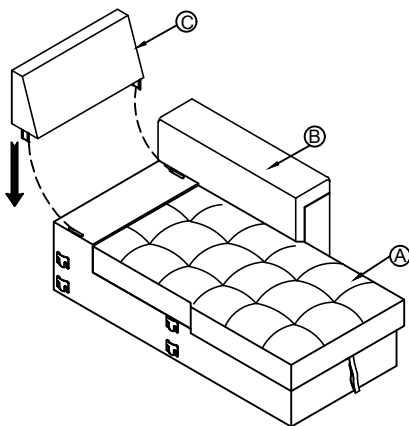
STEP 2 :



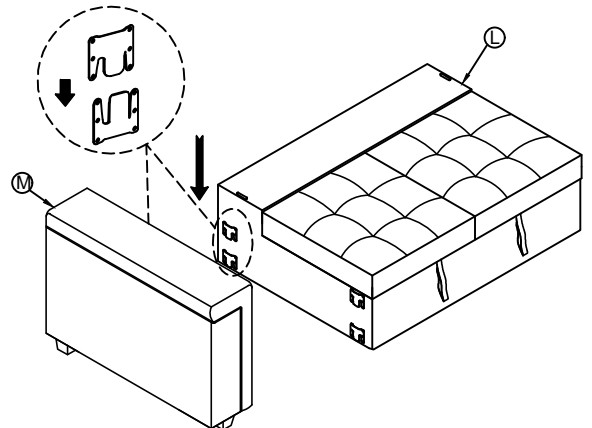
STEP 3 :



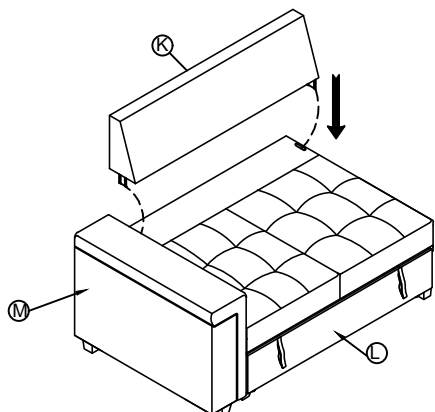
STEP 4 :



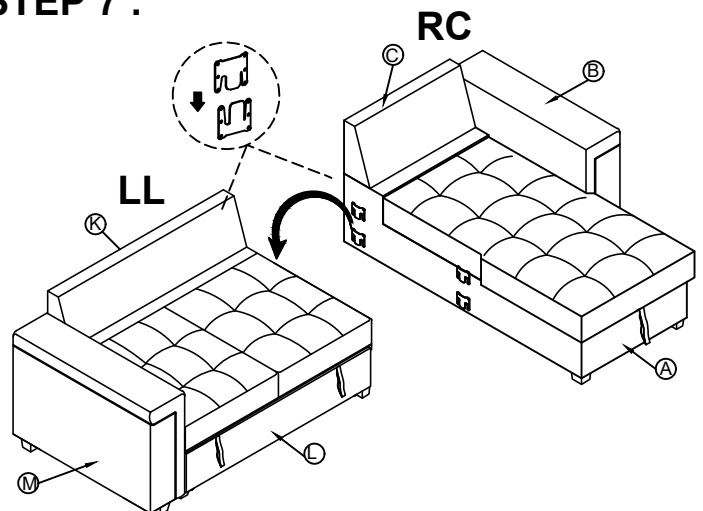
STEP 5 :



STEP 6 :



STEP 7 :

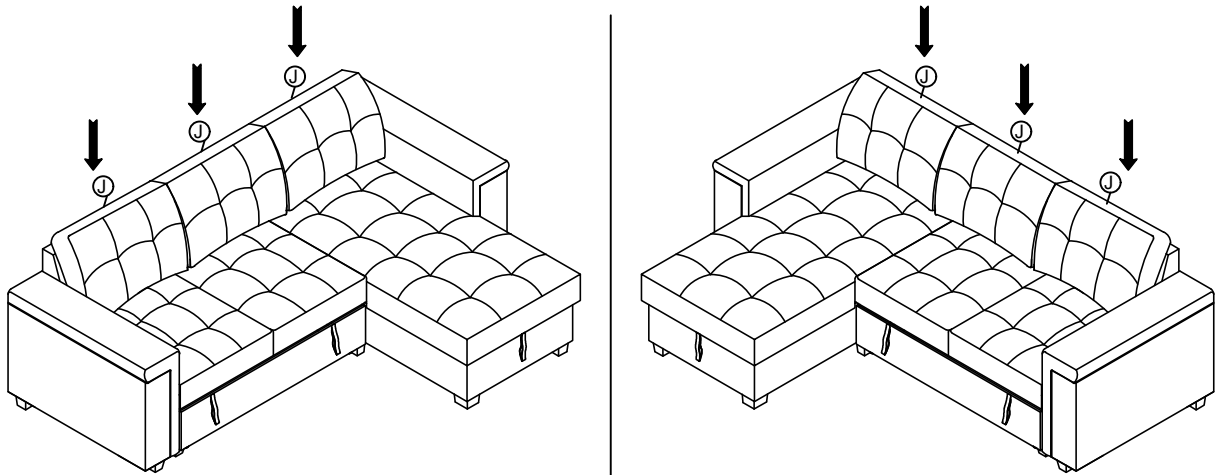


Assembly Instruction

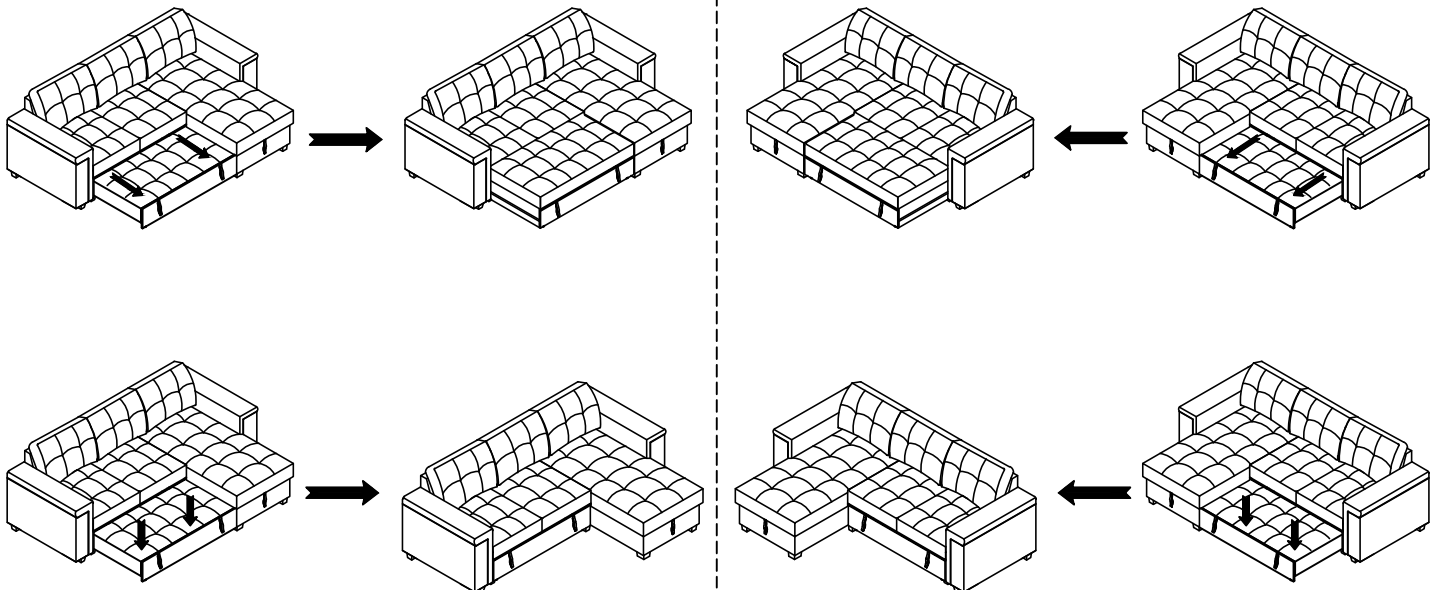
RC : Reversible Chaise with Hidden Storage
(Chaise arms are stored in LL)

LL : Reversible 2-Seater with Pull-out Bed
(Back rest is stored in RC)

STEP 8 :



STEP 9 :



Care Instruction for Chenille Furniture:

In order to maintain the original appearance of your Chenille Furniture, please follow below simple care procedures:

- Avoid exposing furniture directly to sunlight or heating and air conditioning outlets. Sunlight and or exposure to heating and air conditioning outlets will fade/damage Chenille.
- Vacuum or wipe with a soft cloth to remove dust.
- Hardware may loosen over time. Periodically check to make sure all connections are tight. Re-tighten if necessary.



For items used on wooden floor, hard surfaces or carpets, it is recommended to install protective pads under all legs and supports to avoid/prevent from damages/scratches and discoloration.