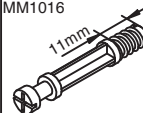
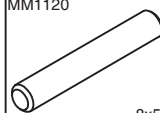

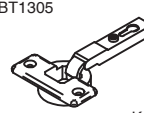
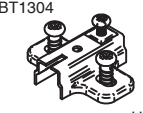
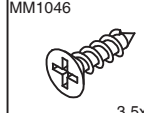
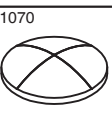
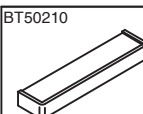
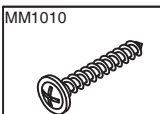
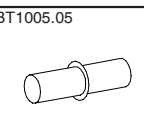
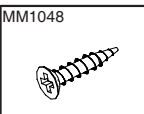
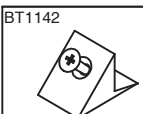
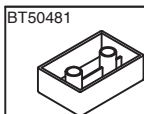
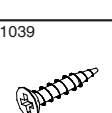

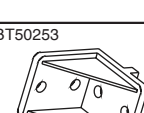
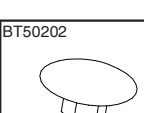
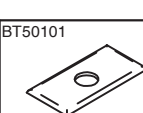
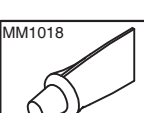
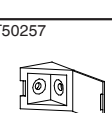
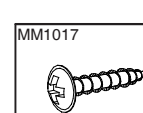
 BT1016 x24	 MM1016 x24	 MM1120 x8	 MM1121 x20	 BT1305 x4	 BT1304 x4	 MM1046 x28
 MM1070 x4	 BT50210 x2	 MM1010 x4	 BT1005.05 x8	 MM1048 x18	 BT1142 x4	 BT50481 x5
 MM1039 x10	 MM1006 x2	 BT50253 x4	 BT50202 x24	 BT50101 x18	 MM1018 x2	
 BT50257 x2	 MM1017 x20					

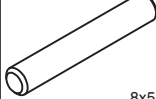
1.

BT1016



x12

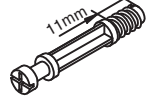
MM1120



8x50

x8

MM1016



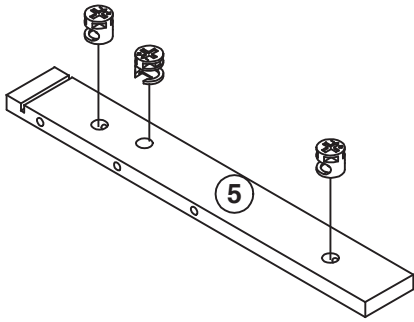
x2

MM1018

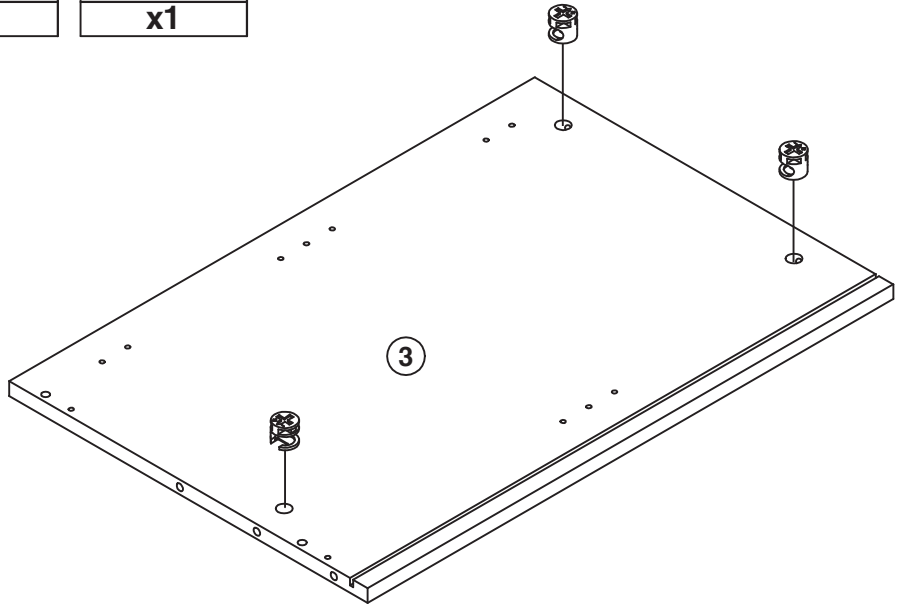


Leimtube

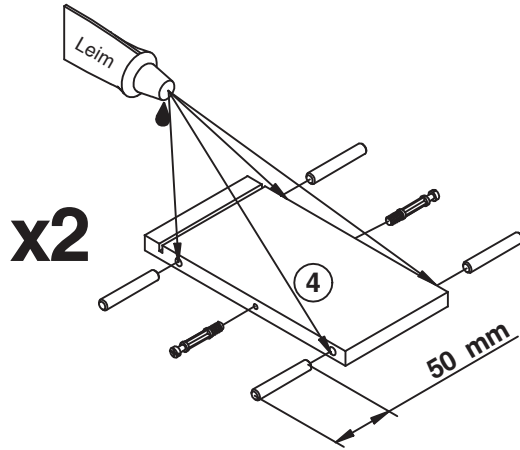
x1



5



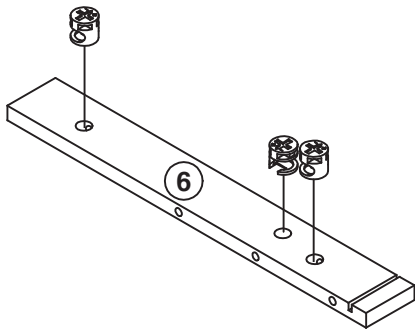
3



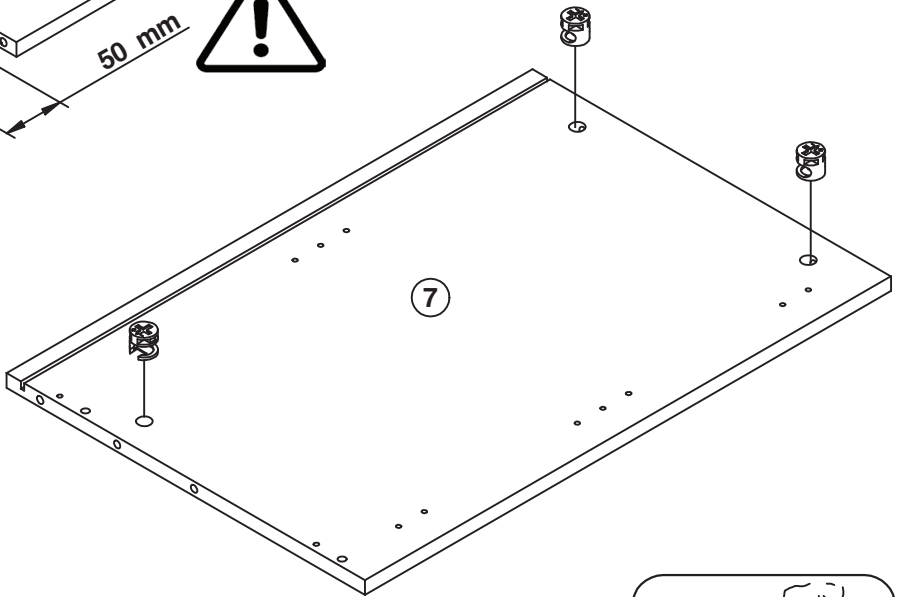
x2

4

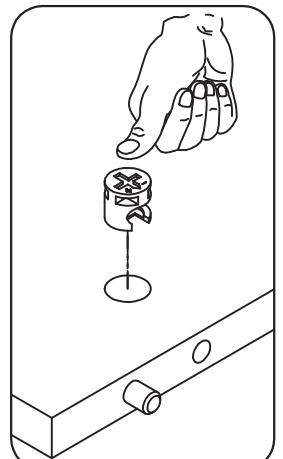
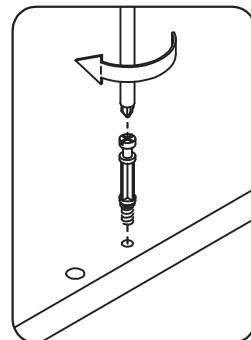
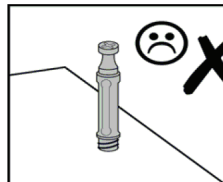
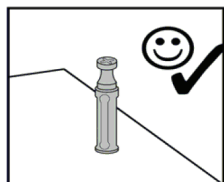
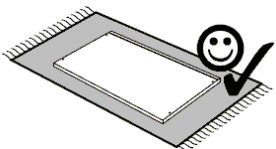
50 mm



6

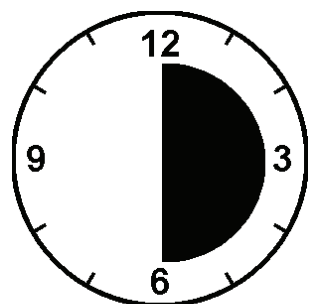
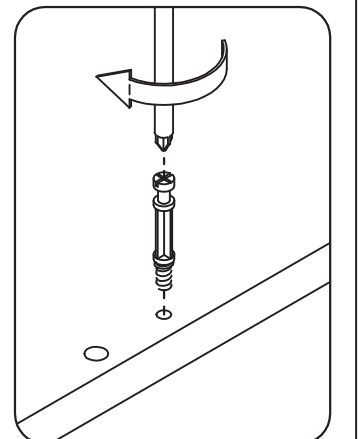
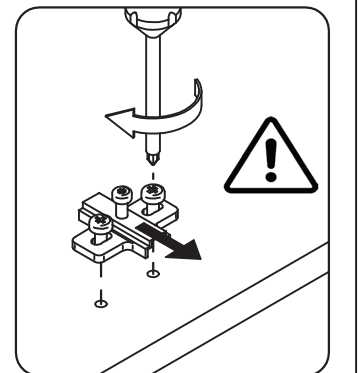
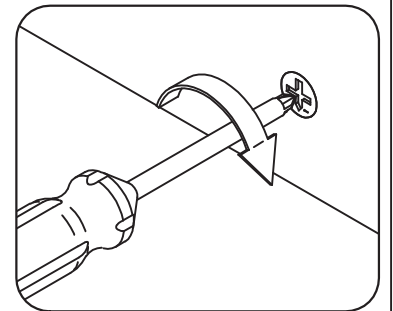
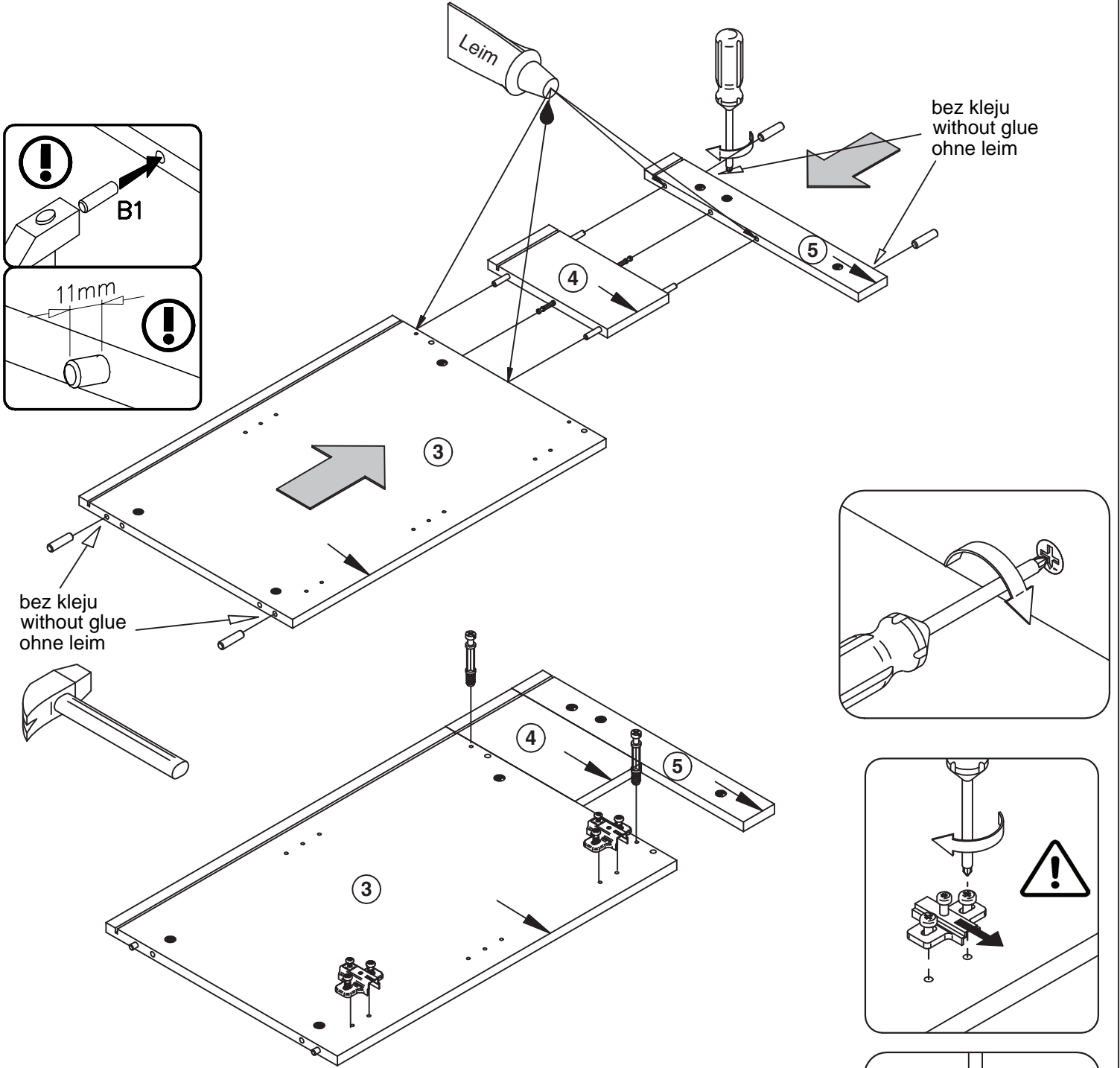
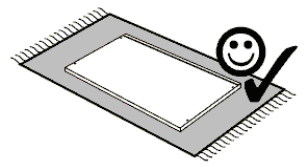


7

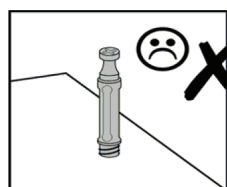
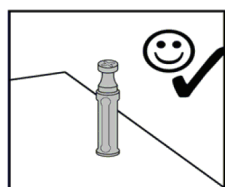


2.

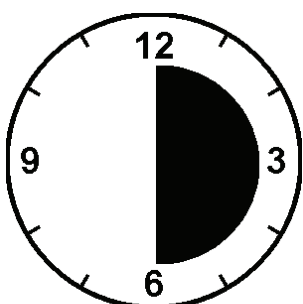
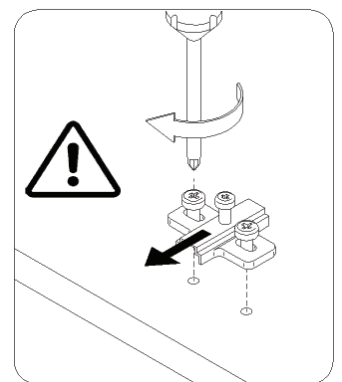
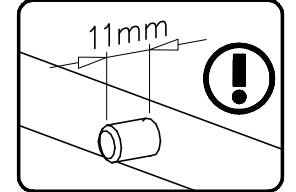
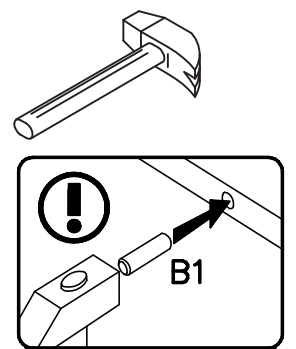
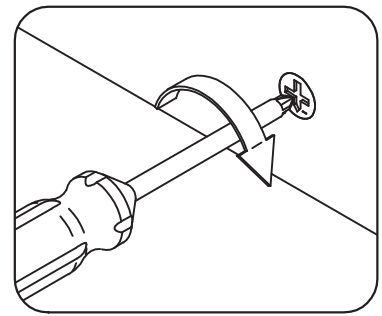
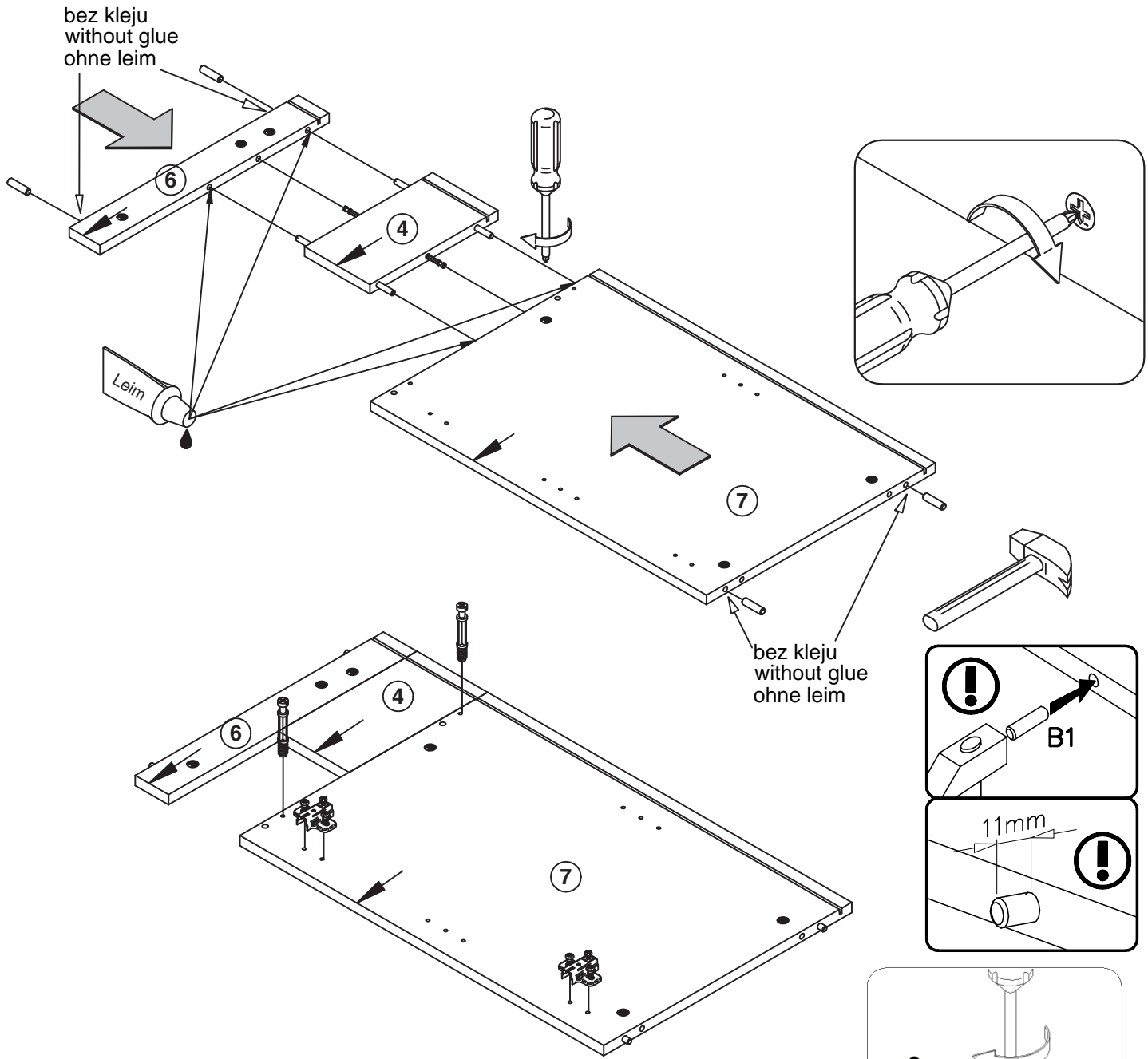
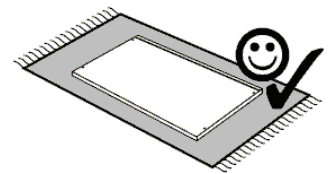
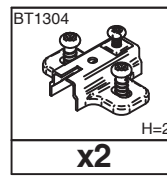
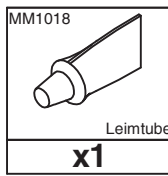
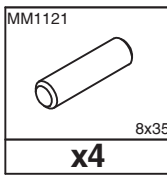
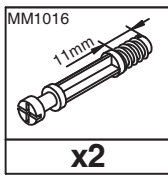
MM1016 11mm x2	MM1121 8x35 x4	MM1018 Leimtube x1	BT1304 H=2 x2
-----------------------------	-----------------------------	---------------------------------	----------------------------



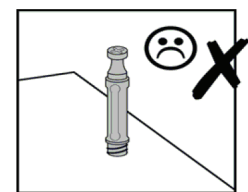
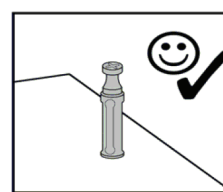
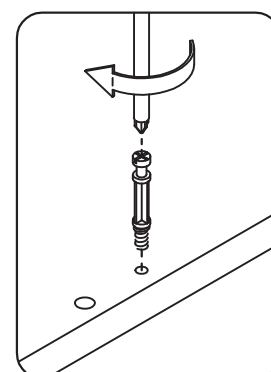
30 min.



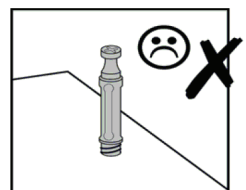
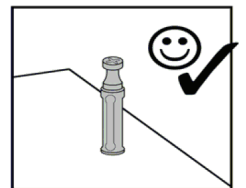
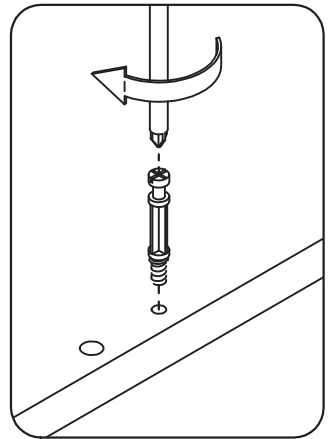
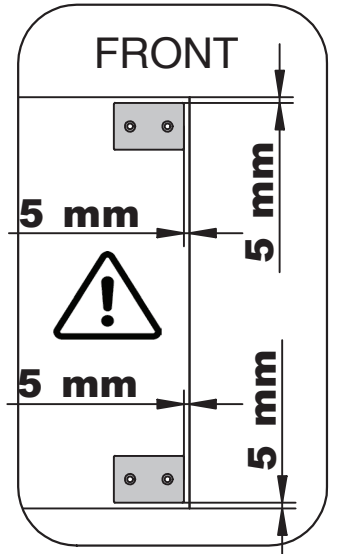
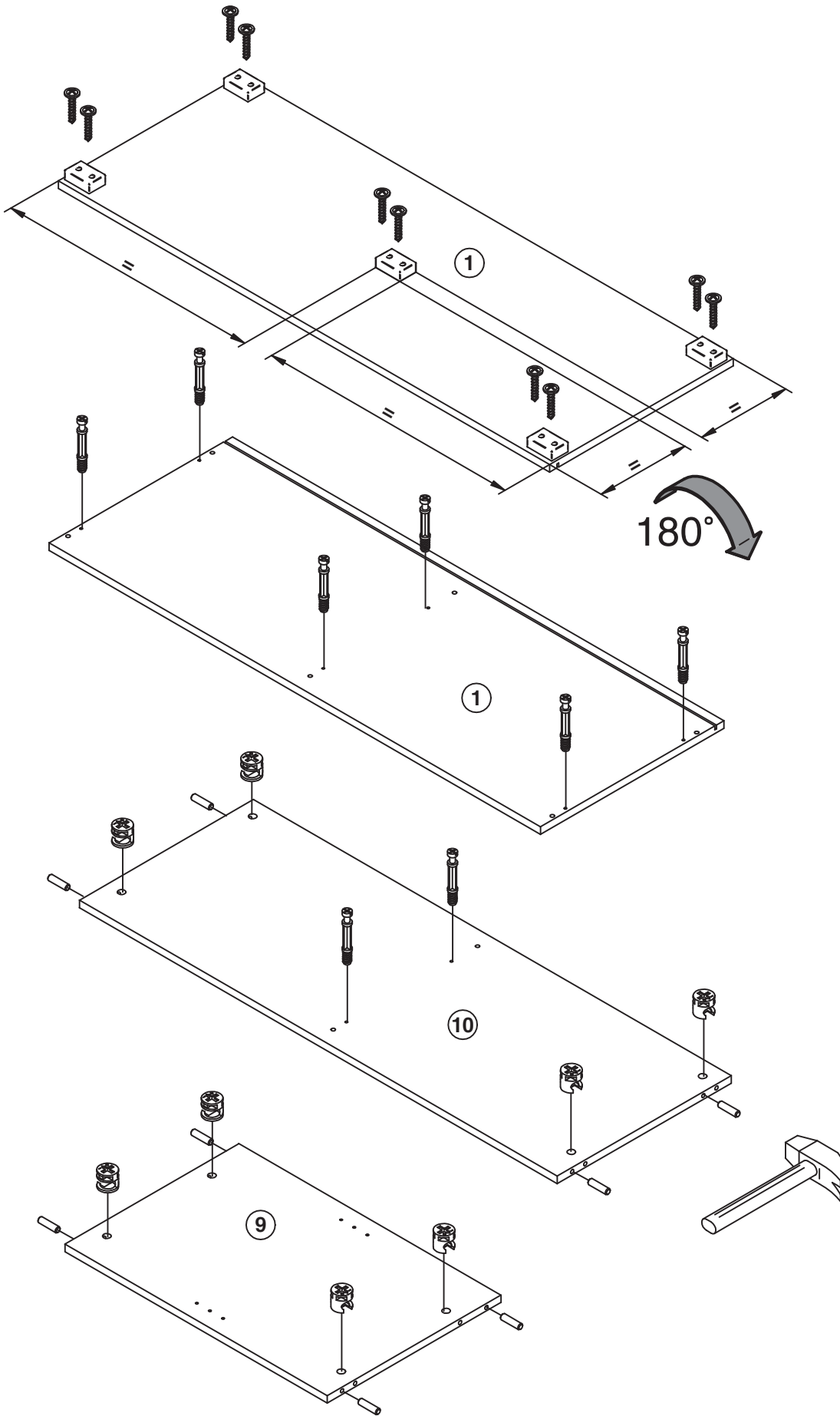
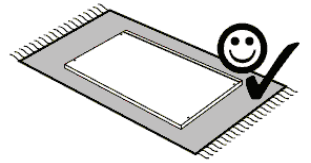
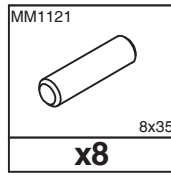
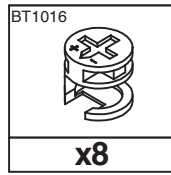
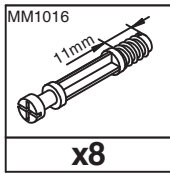
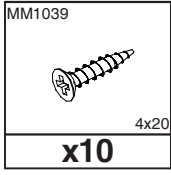
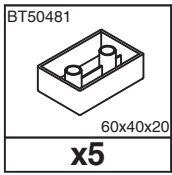
3.



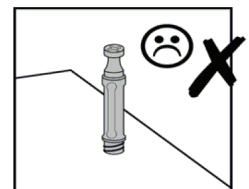
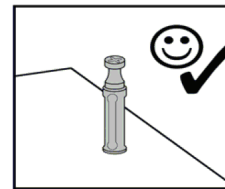
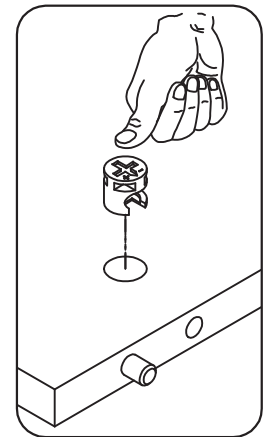
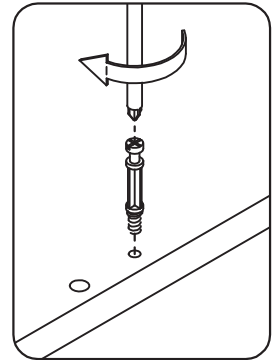
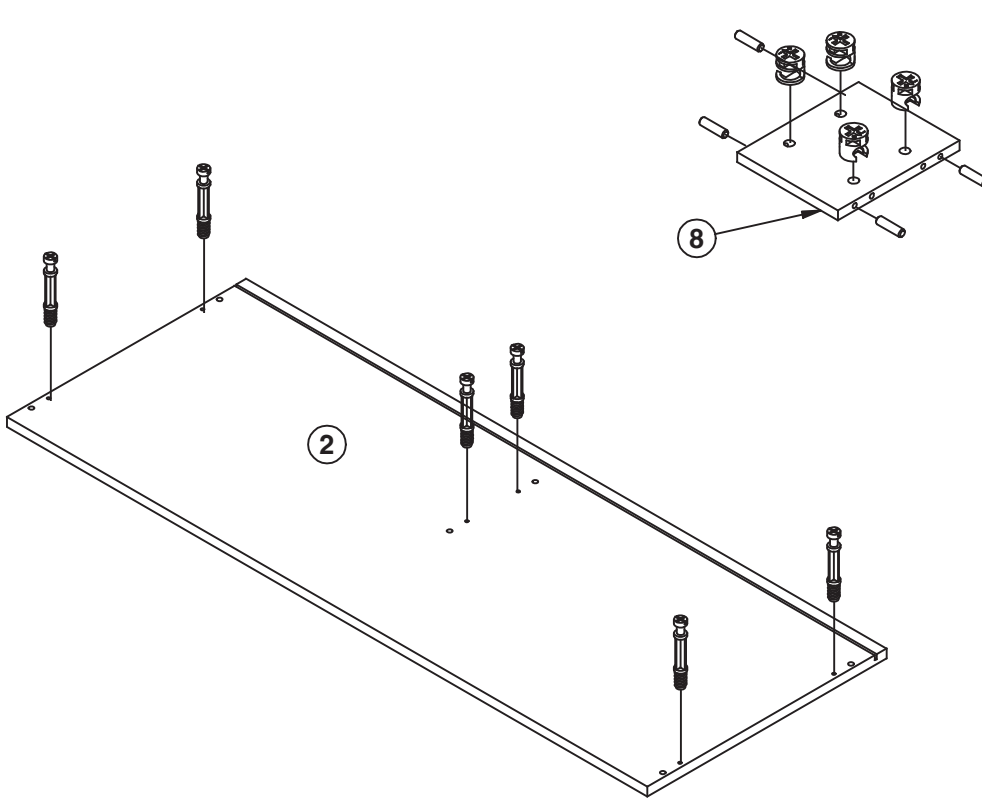
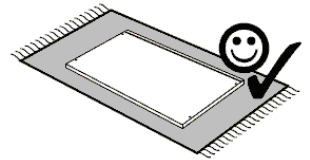
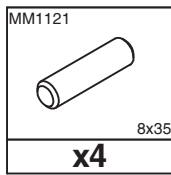
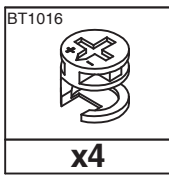
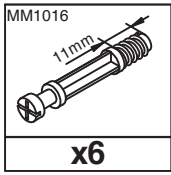
30 min.



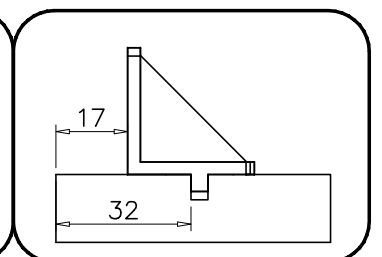
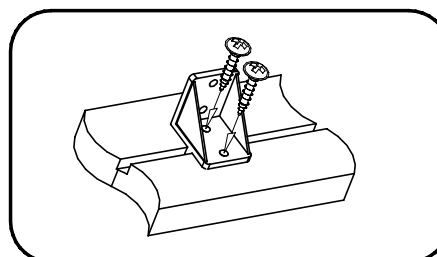
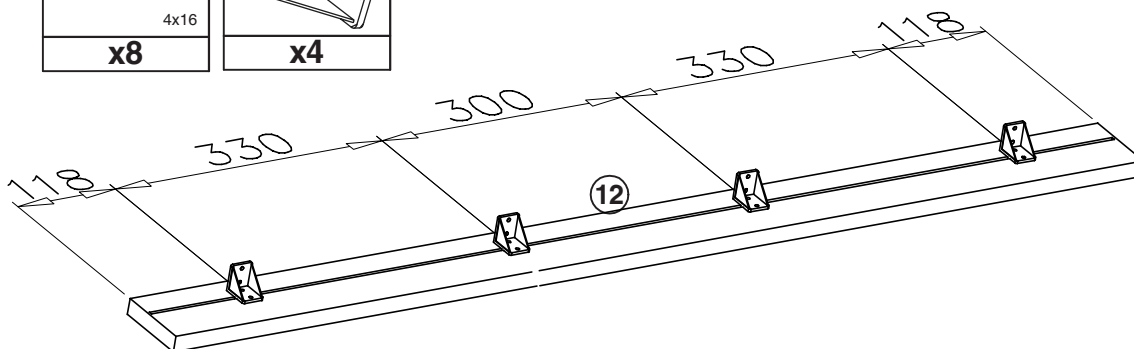
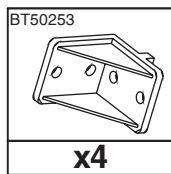
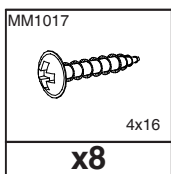
4.



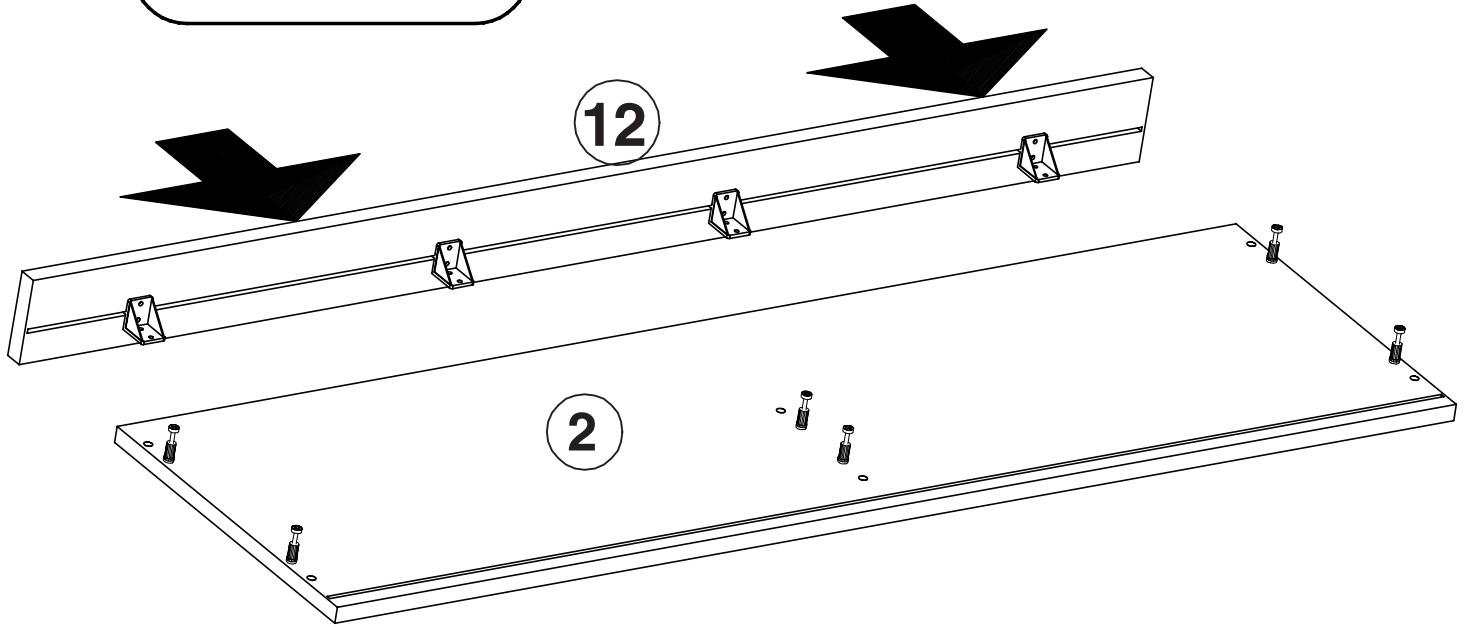
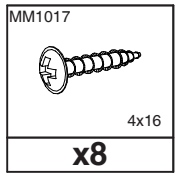
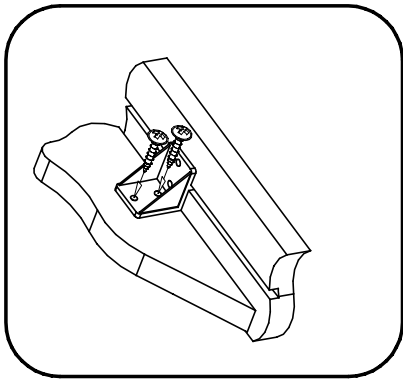
5.



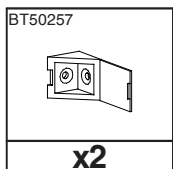
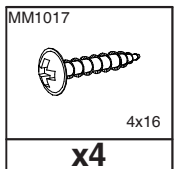
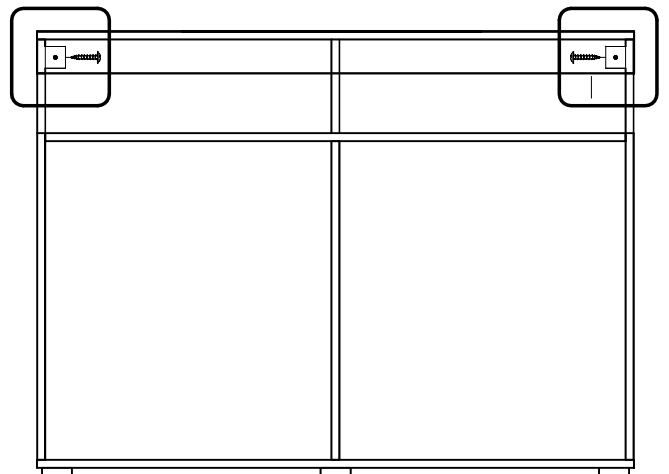
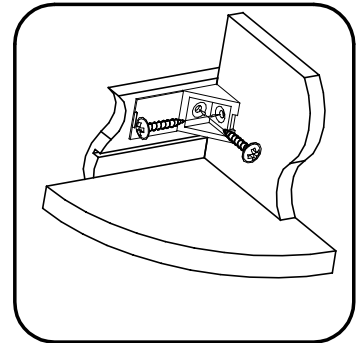
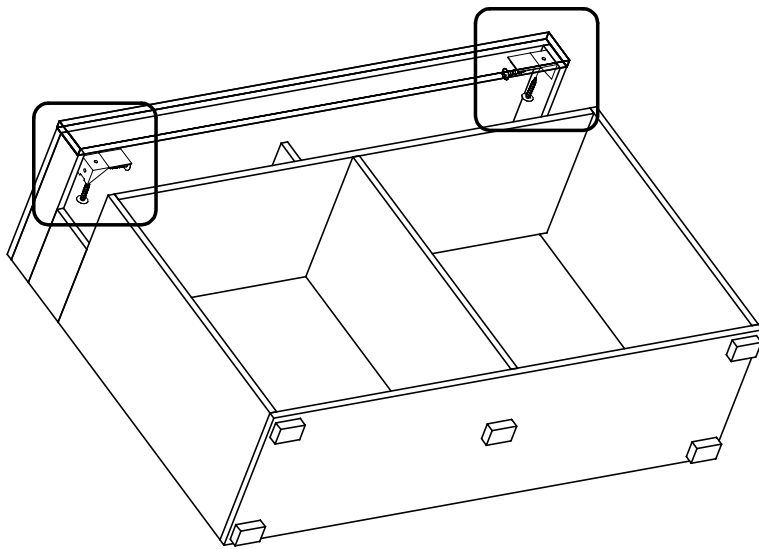
6.



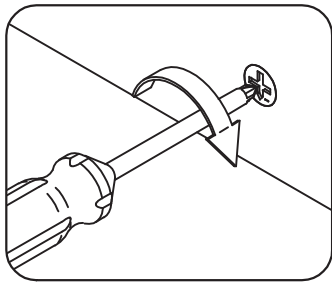
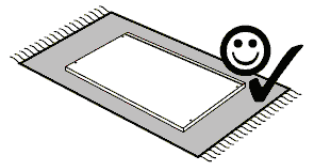
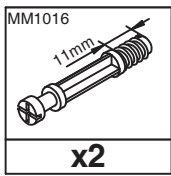
7.



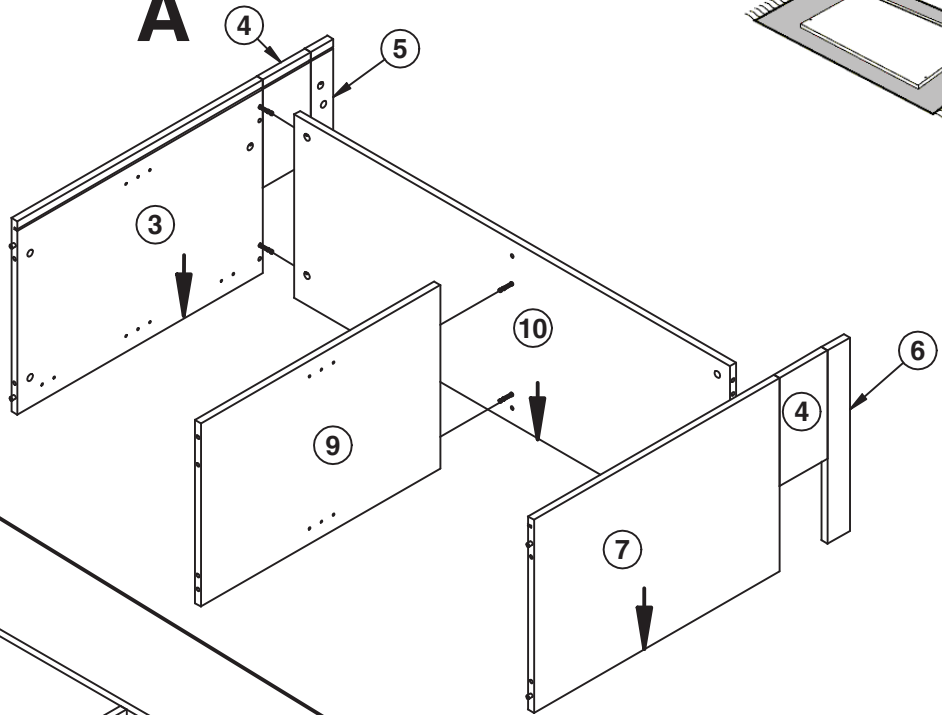
8.



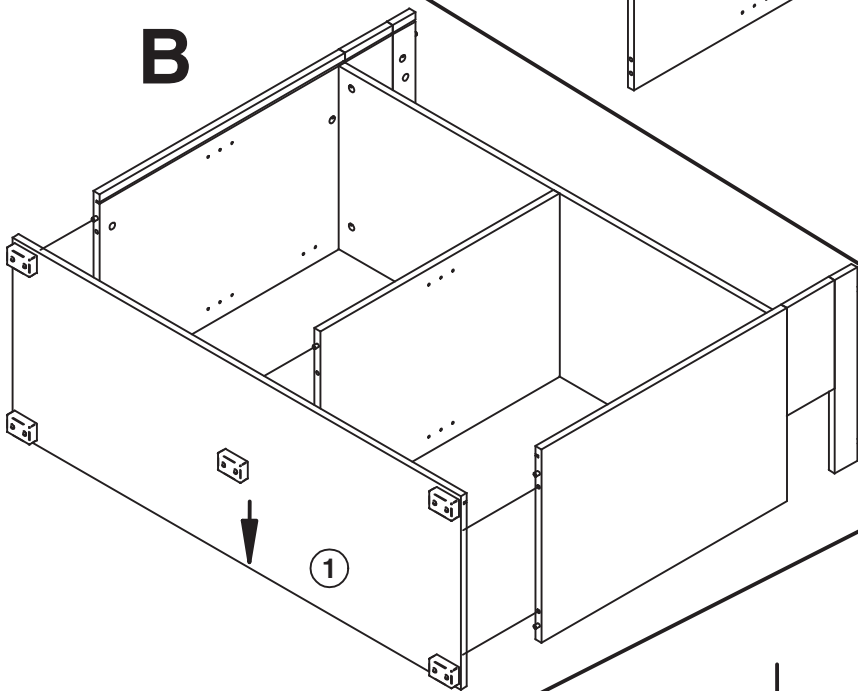
9.



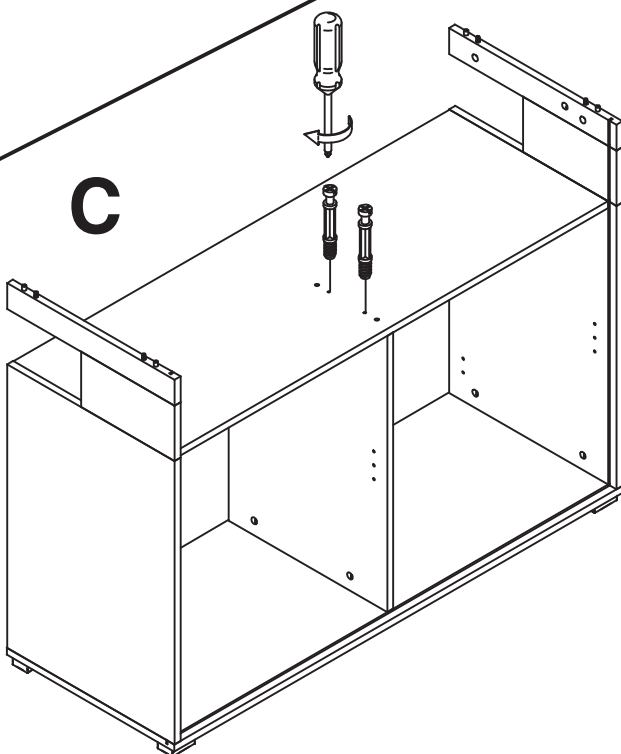
A



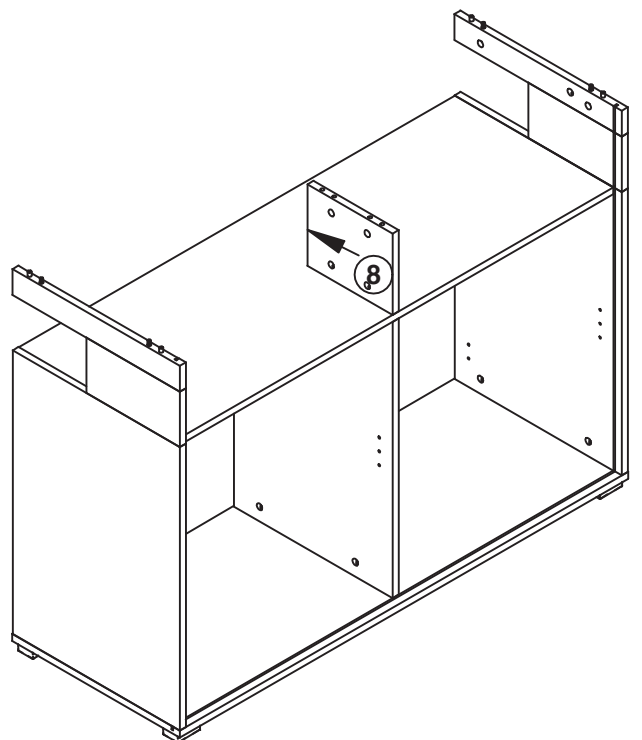
B



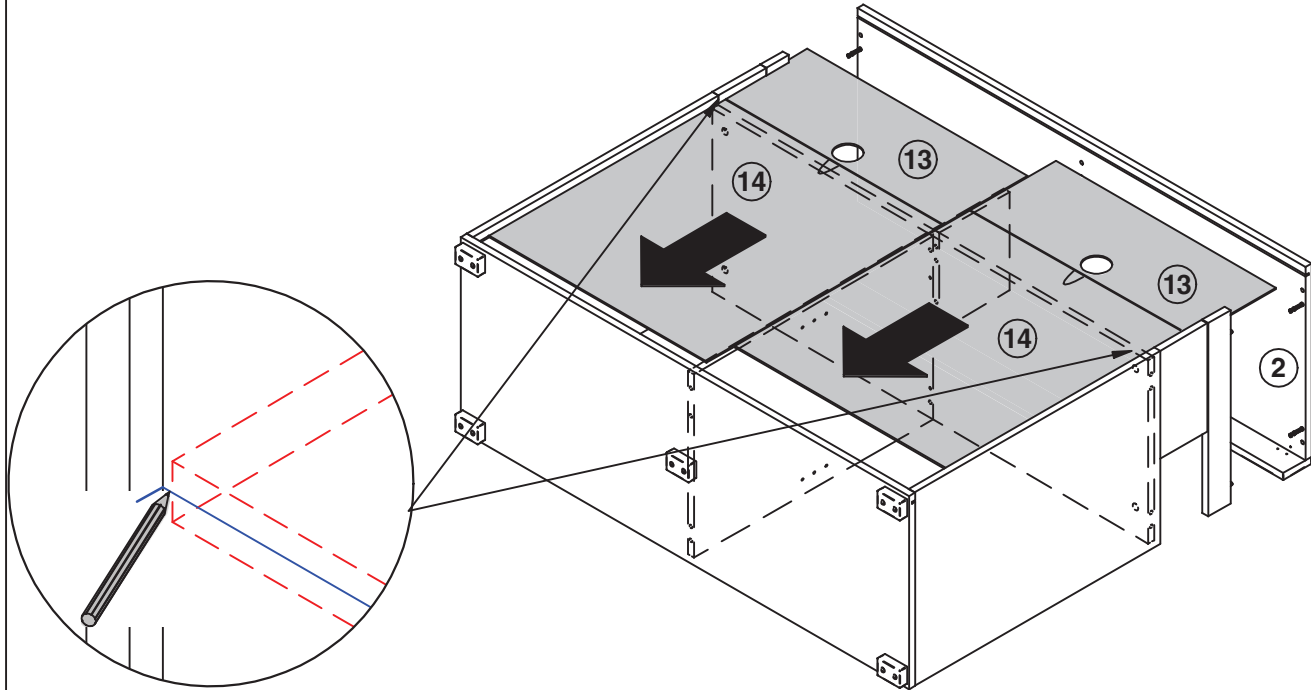
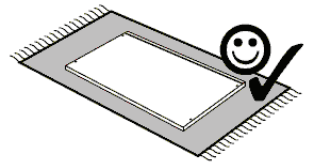
C



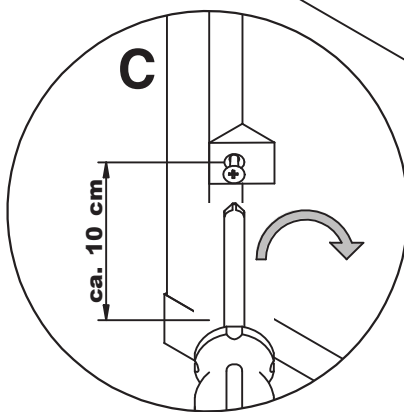
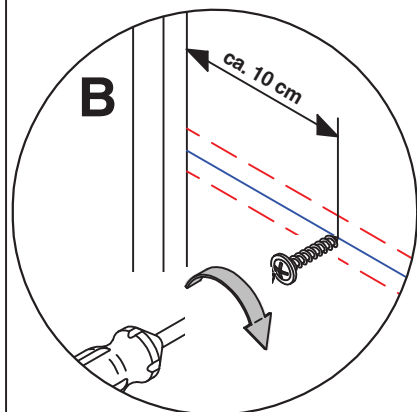
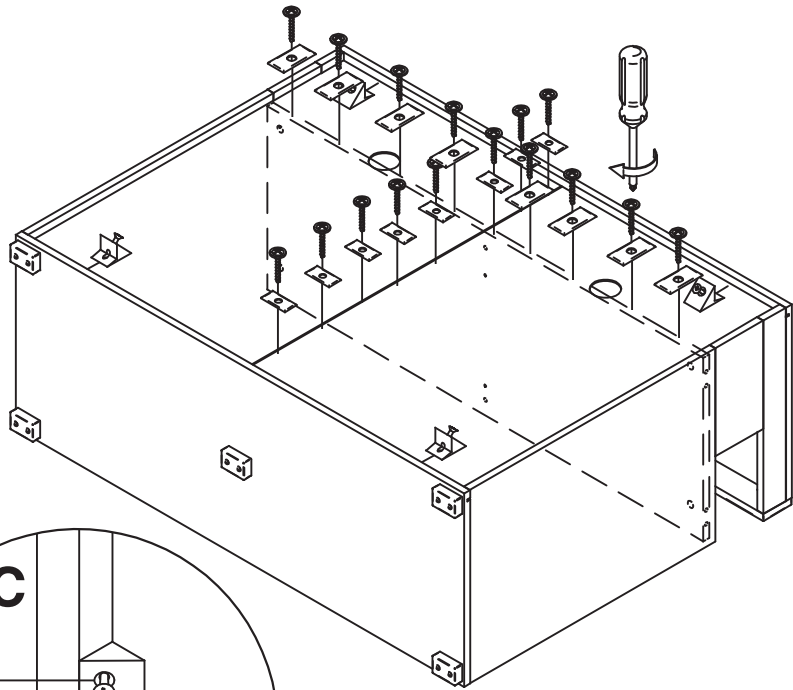
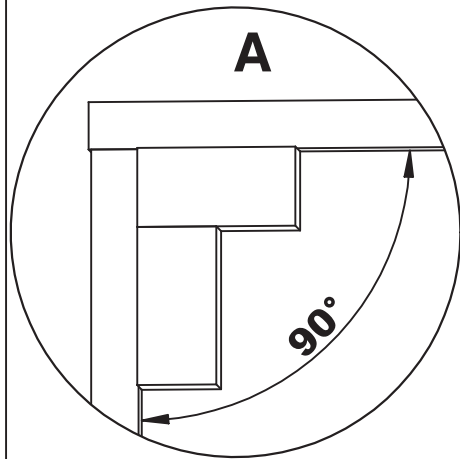
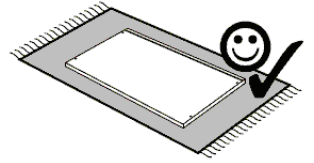
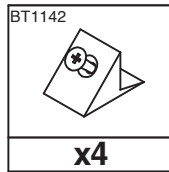
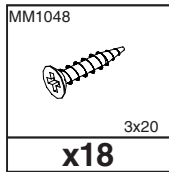
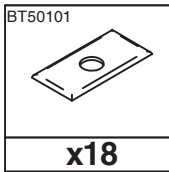
D



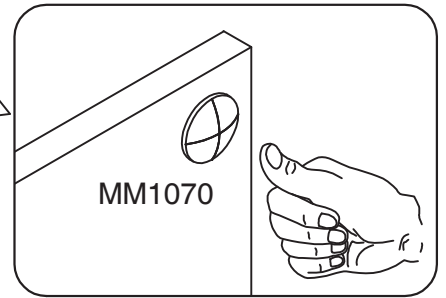
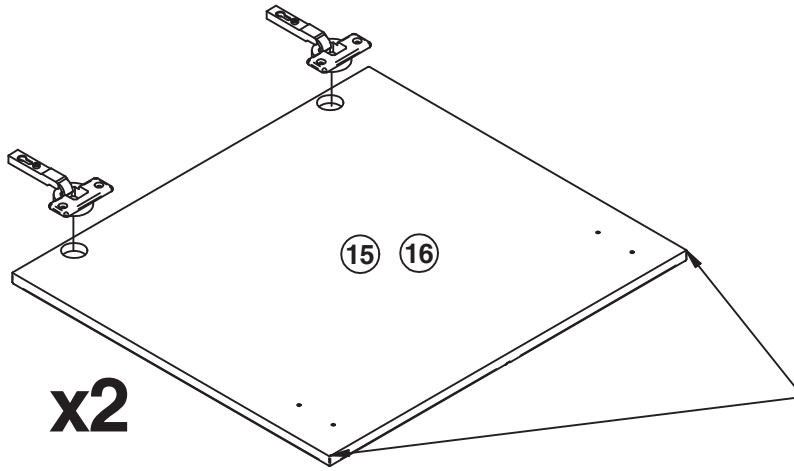
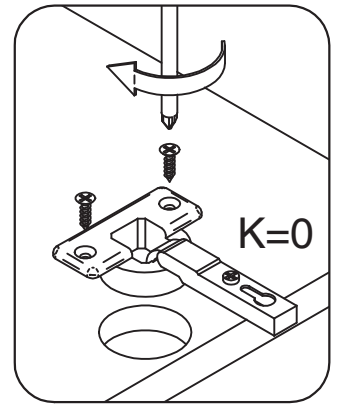
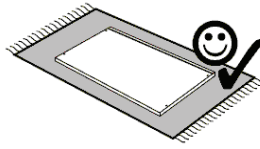
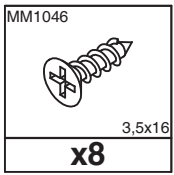
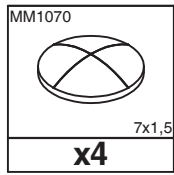
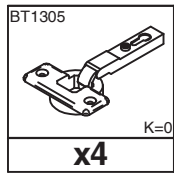
10.



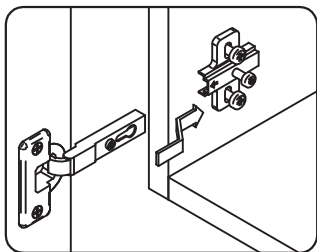
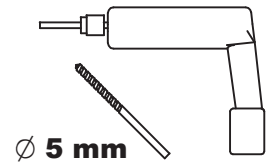
11.



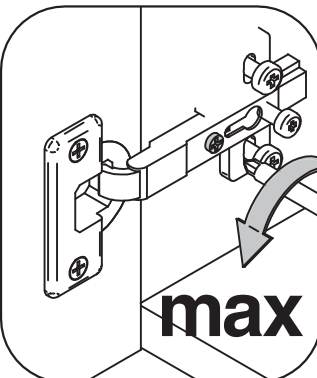
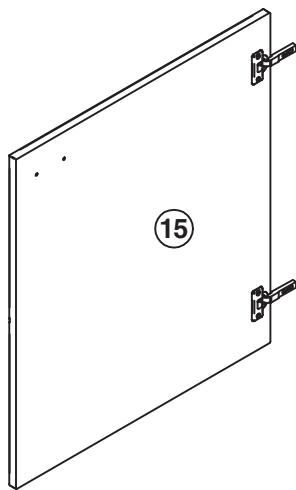
12.



13.

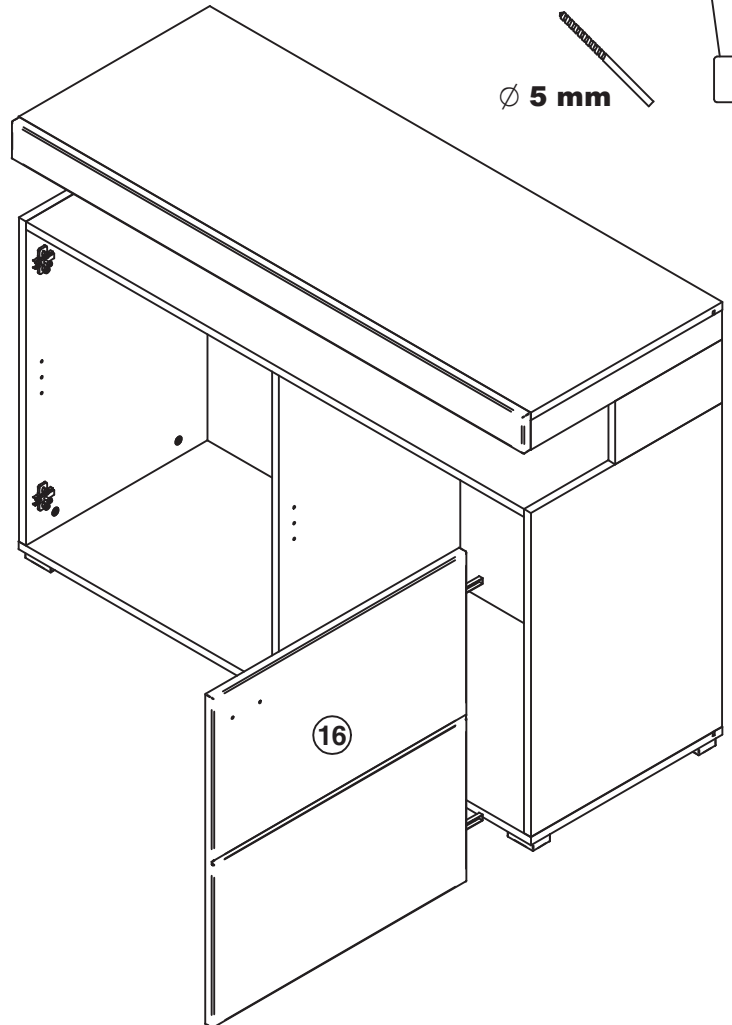


A

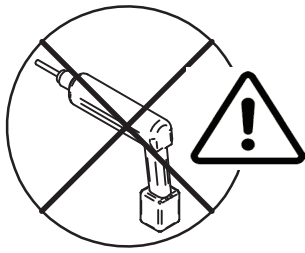
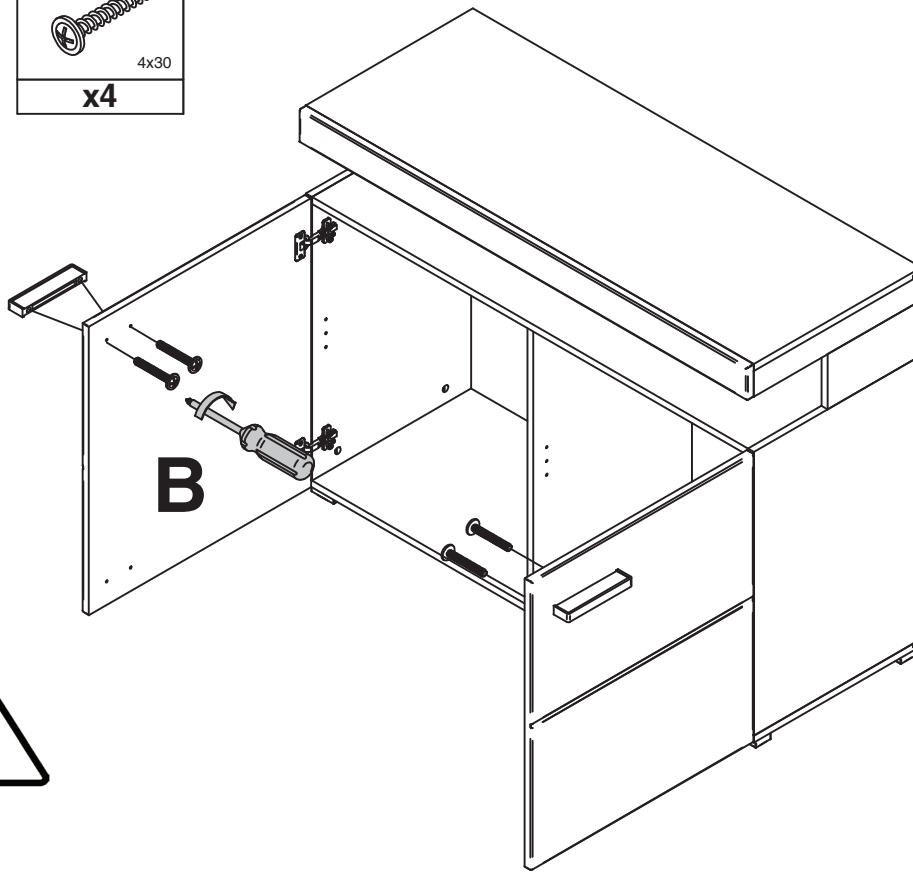
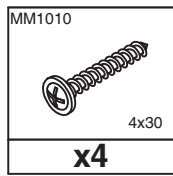
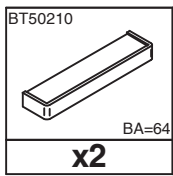


B

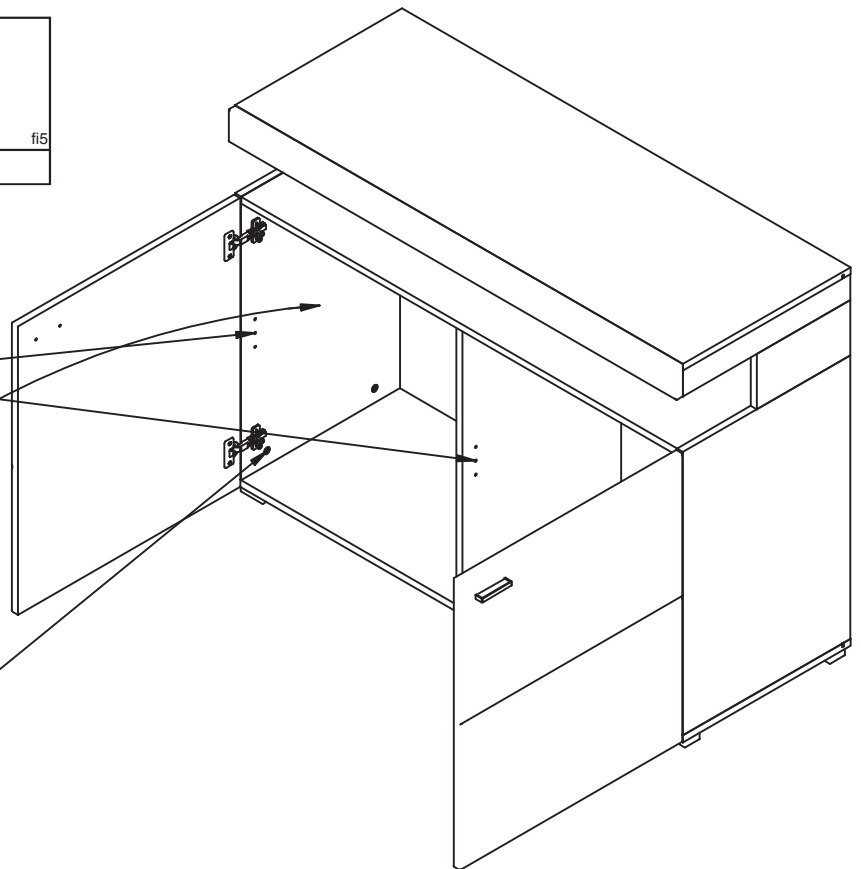
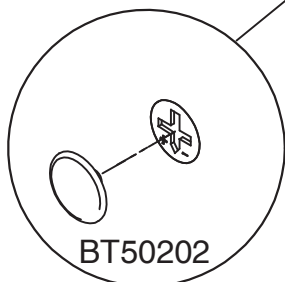
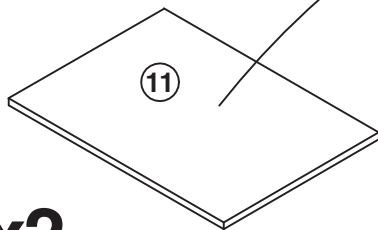
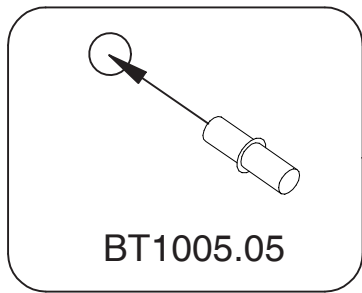
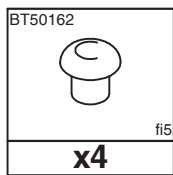
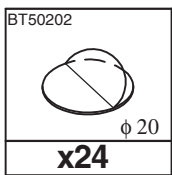
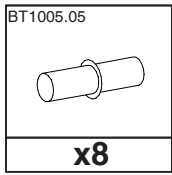
max
x4



14.



15.



16.

