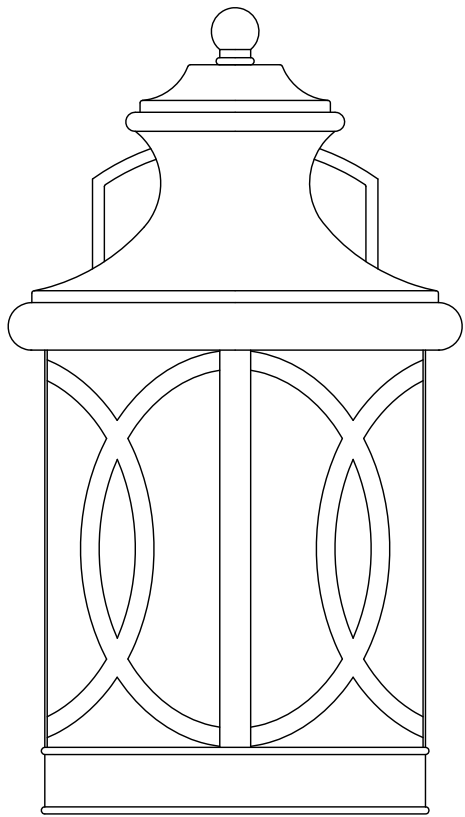


$\phi 7 \frac{1}{2}''$
 $4 \frac{3}{4}''$

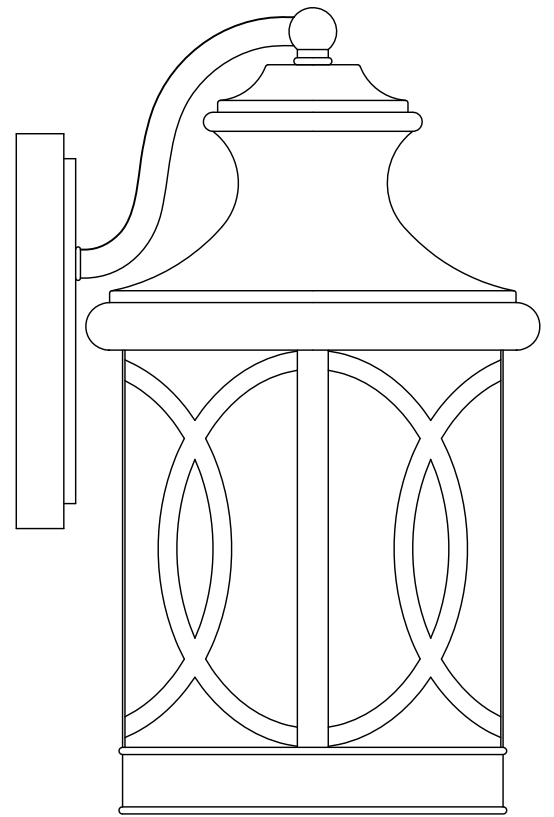


$13 \frac{1}{4}''$

FRONT VIEW

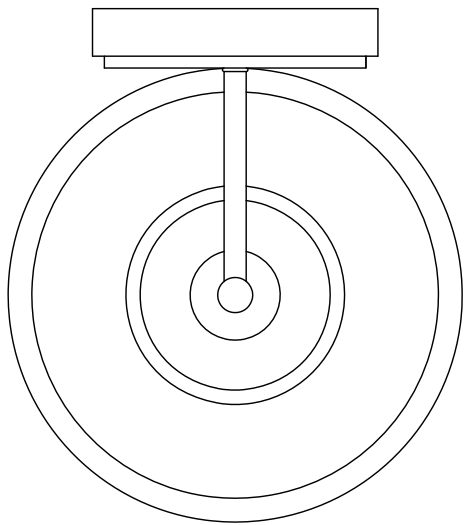
$8 \frac{3}{4}''$

$6 \frac{1}{2}''$



SIDE VIEW

$4 \frac{1}{2}''$



$1''$

TOP VIEW

CA2373-W