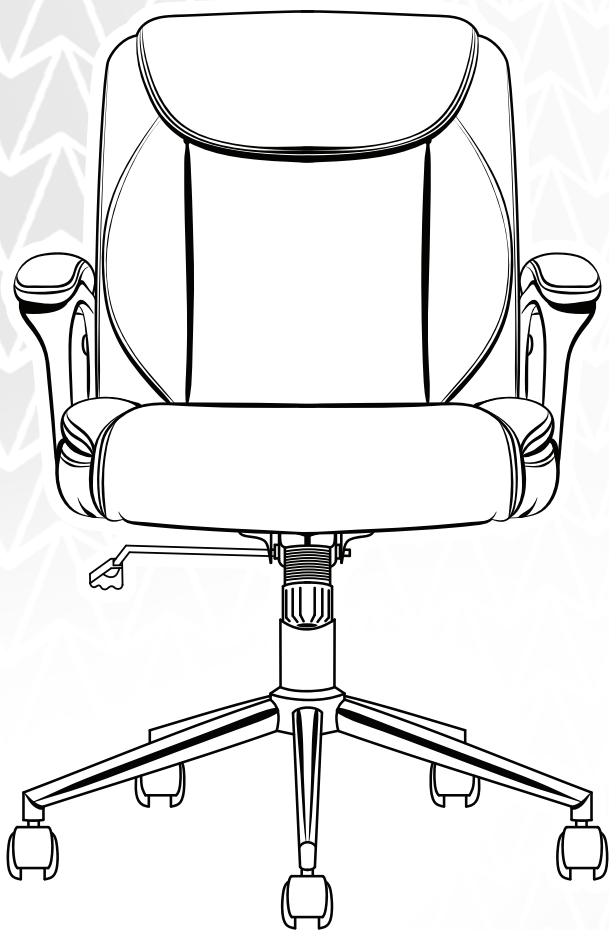


▶ Transform 1.0 Desk Chair



▶ **CLICK365™**

ASSEMBLY INSTRUCTIONS

GUIDELINES

FAILURE TO FOLLOW THESE WARNINGS
WHEN IN USE COULD RESULT IN INJURY.



PRE-ASSEMBLY PREPARATION:

Please read through this instruction booklet before beginning assembly of the item.

Note: Some parts and hardware are stored inside Back Cushion(I)

- Do not stand on the item or use as a step ladder.
- Do not use this item unless all bolts and screws are firmly secured and fastened.
- Check all bolts and screws every 90 days and tighten as necessary if any are loose.
- Carry and lift to move. Pushing or dragging this product can result in an injury or cause damage to the floor and piece.

⚠️ **WARNING:**

DO NOT LET CHILDREN PLAY IN OR AROUND THE UNIT DUE TO THE POSSIBLE RISK OF INJURY.



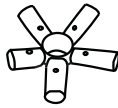
**TWO ADULTS
ARE RECOMMENDED FOR ASSEMBLY.**

- Clear out the space for assembly and lay out all parts from the “Parts List.” The extra room will allow you to easily determine if all the pieces are present.
- Save all packaging materials until assembly is complete to avoid accidentally discarding smaller parts or hardware.
- Keep small parts and pieces away from children and pets until fully assembled.
- Please check for any loose screws and tighten them before use.

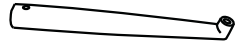
PARTS LIST



A Casters (5)



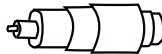
B Base (1)



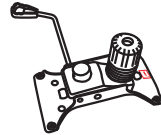
C Metal Legs (5)



D Base Cover (1)



E Gas Lift with
Telescoping
Cover (1)



F Seat Plate (1)



G1 Left Arm (1)



G2 Right Arm (1)



H Seat Cushion (1)

PARTS LIST



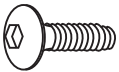
I Back Cushion (1)



J M6 x 10
Small Screws (5)



K M8 x 20
Medium Screws (4)



L M8 x 30
Large Screws (8)



M Black Plastic
Caps (8)



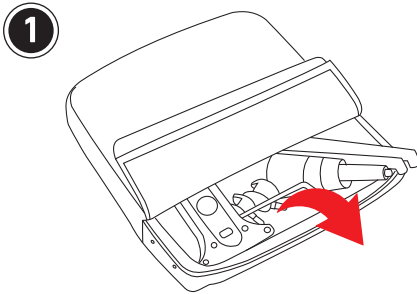
N Allen Key (1)

ASSEMBLY STEP 1

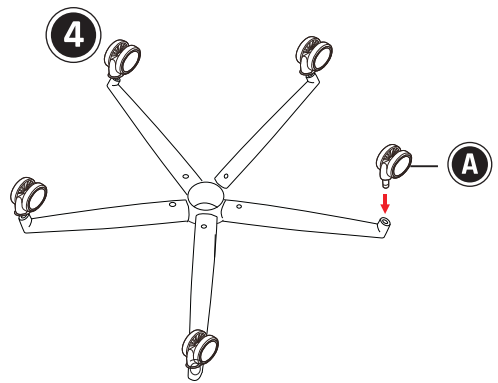
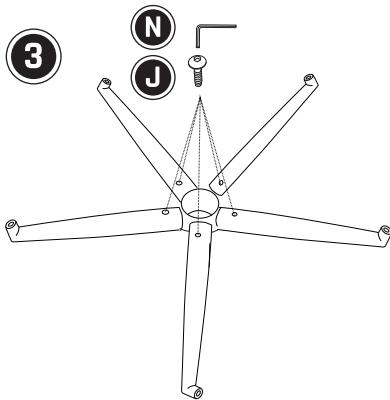
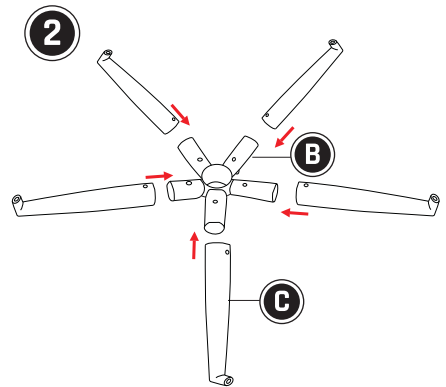
Carefully open the zipper on the Back Cushion (I) and remove all parts and hardware stored inside. Then close the zipper before assembly.

To avoid scratching the parts, select a flat, non-abrasive surface for assembly. Then, insert Metal Legs (C) into the Base (B) and secure them with the Small Screws (J) using the Allen Key (N). Tighten all the screws by hand until tightened. Then, press the Casters (A) into the holes at the end of each leg.

Warning: Tighten the bolts on each leg/hub connection by hand until tightened. Be careful not to overtighten or strip the bolts. Do not use power tools. All bolts should be checked and re-tightened every 90 days.

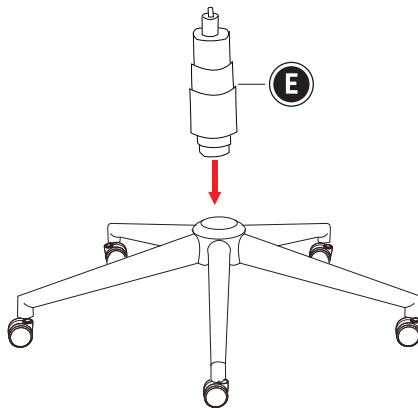
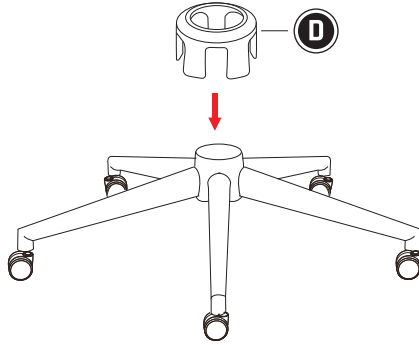


Note: Some parts and hardware are stored inside Back Cushion (I)



ASSEMBLY STEP 2

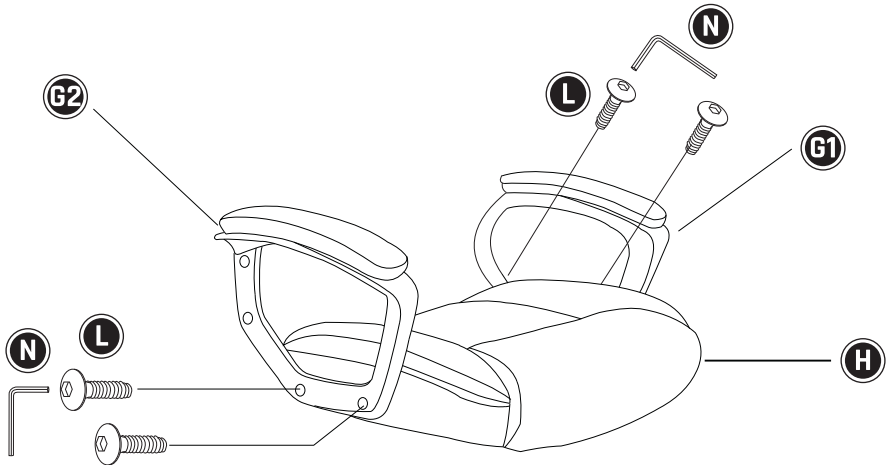
Turn the Star Base upright and attach the Base Cover (D) to the Star Base (B). Then, insert the Gas Lift with Telescoping Cover (E) into the center hole of the Star Base (B).



ASSEMBLY STEP 3

Attach the Arms (G1 & G2) to the sides of the Seat Cushion (H) using the Large Screws (L) and Allen Key (N).

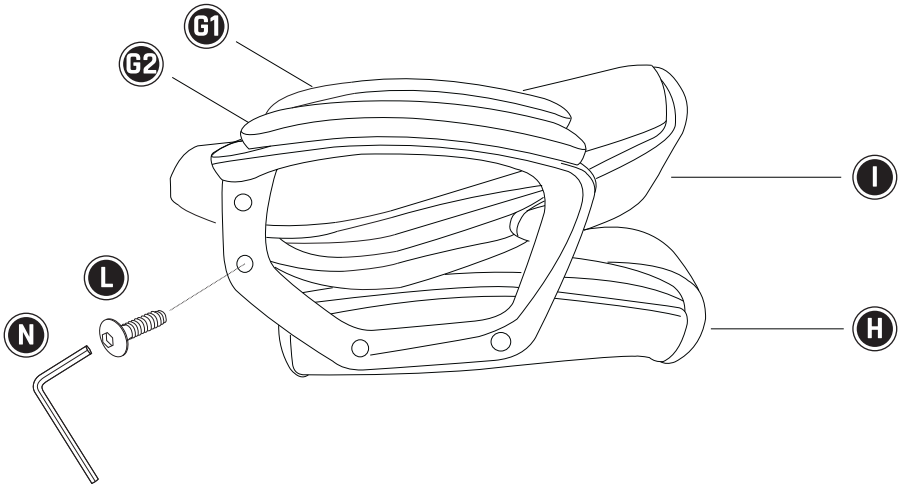
Note: Do not tighten the screws completely at this stage of the assembly.



ASSEMBLY STEP 4

Position the Back Cushion (I) flat between the Arms (G1 & G2). Using the Large Screws (L) and Allen Key (N), align the lower holes on the Back Cushion (I) with the lower screw holes on the Arms (G1 & G2).

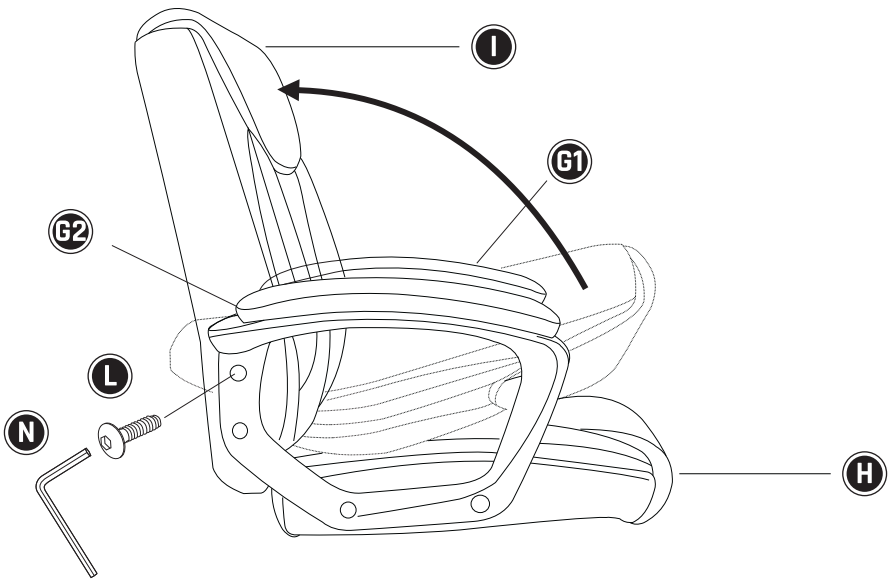
Note: Do not tighten the screws completely at this stage of the assembly.



ASSEMBLY STEP 5

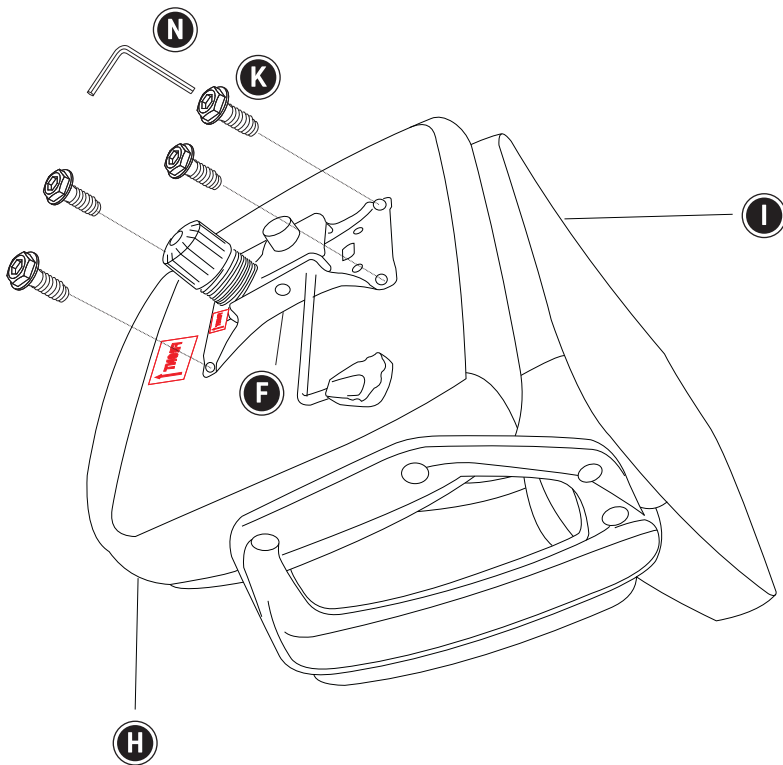
Push the Back Cushion (I) up to a vertical position. Align the Arms (G1 & G2) with the Back Cushion (I).

Attach the Arms (G1 & G2) to the Back Cushion (I) using the Large Screws (L) and tighten all the screws securely with the Allen Key (N).



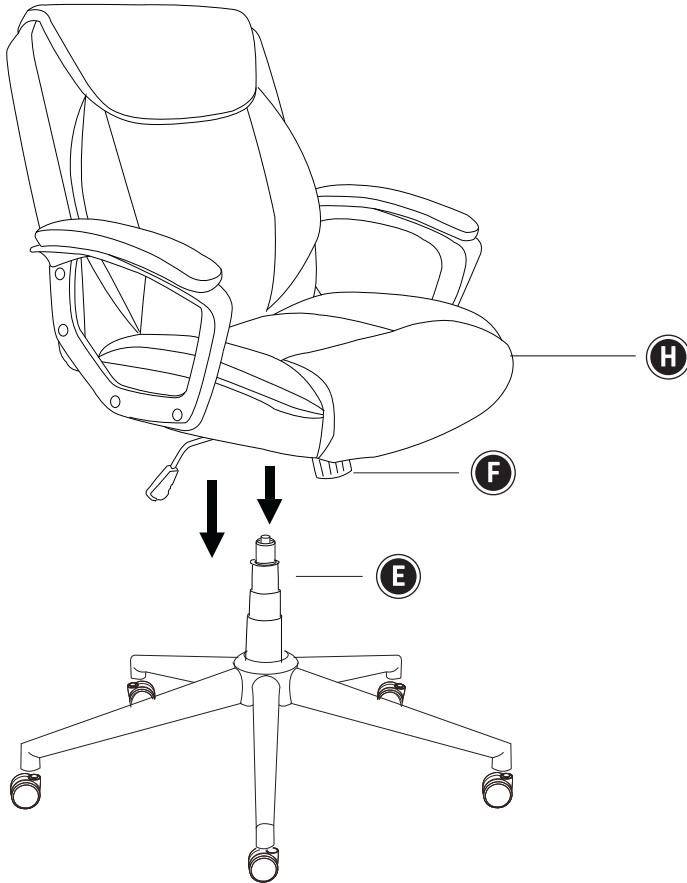
ASSEMBLY STEP 6

Attach the Seat Plate (F) to the underside of the Seat Cushion (H) using the Medium Screws (K). Ensure the "FRONT" labels on both the Seat Plate and Seat Cushion are aligned before tightening the screws securely.



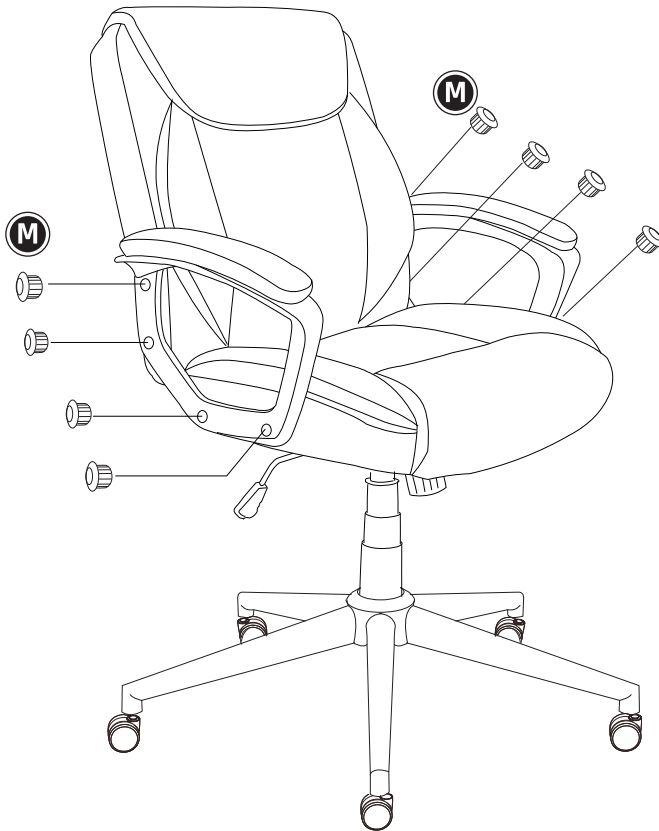
ASSEMBLY STEP 7

Carefully lower the assembled Seat Cushion (H) with Seat Plate (F) onto the Gas Lift (E). Press down firmly until you feel a click or secure engagement.



ASSEMBLY STEP 8

Once you've securely tightened all the screws, pop the Black Plastic Caps (M) into the arm holes. Your chair is now ready for use!



Product Features & Instructions

Seat Height Adjustment

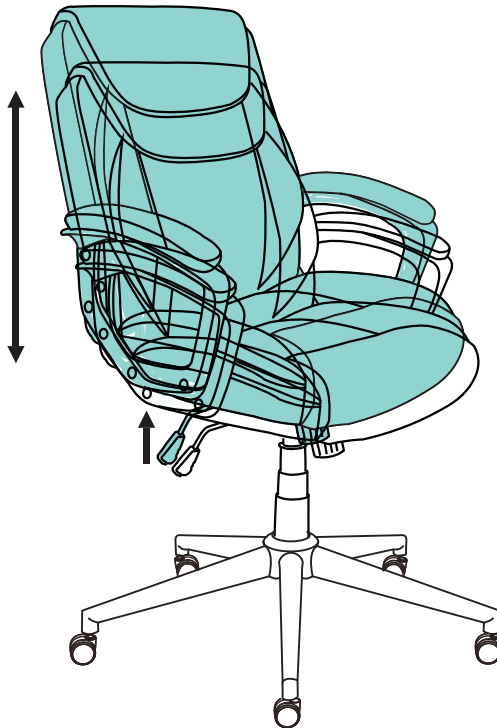
The seat height adjuster allows optimal height and posture to be achieved to relieve stresses on the lower back, legs and thighs.

- **To Raise The Seat**

Lean forward slightly to relieve pressure on the tilt mechanism. Reach under the right side of the chair to locate the height adjustment lever and lift the lever and allow the chair to rise to the desired height.

- **To Lower The Seat**

Remain fully seated, lift the lever upward, and allow the chair to descend. Descent will stop once lever is released or the chair reaches its bottom position.



Product Features & Instructions

Chair Tilt Lock

The locking mechanism fixes the Chair upright or allows the chair to rock back and forth.

- **Allow Tilt**

While seated, reach under the right side of the chair to locate the height adjustment lever. Pull the lever all the way out (away from the seat plate) to allow the chair to tilt back and forth.

- **Lock Upright**

Sit fully upright and push the lever in towards the seat plate to lock upright.



Product Features & Instructions

Tilt Tension

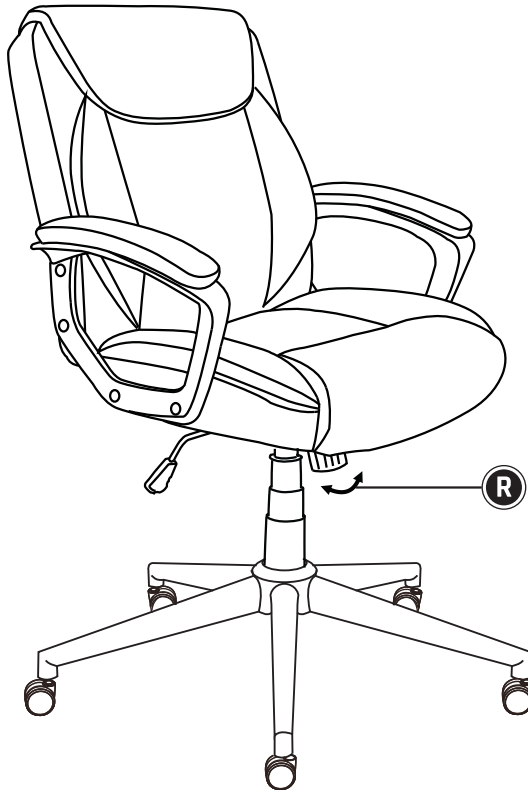
The tensioner increases or decreases the amount of force needed to recline the chair backward or to rock the chair.

- **Firmer / Stiffer - Clockwise (L)**

Reach under the front center of the chair and locate the round Tensioner knob. Turn the knob clockwise to make the chair recline firmer / stiffer.

- **Softer / Looser - Counter Clockwise (R)**

Turn the knob counter-clockwise to make the chair recline softer / looser.



LIMITED WARRANTY

The manufacturer's products are warranted against defects in material and workmanship while owned by the "Original Purchaser." The term "Original Purchaser" is defined as the party or entity that purchases this manufacturer's furniture from an authorized retailer, as shown by the original sales receipt. This warranty does not apply to "as is" or previously owned products.

The manufacturer warrants its products to be free from defects in materials and workmanship (except normal wear and tear, fading, and stretching) for one year from the date of purchase, with exceptions provided below under the limited warranty.

The exceptions or exclusions to this warranty are as follows:

1. Any warranty claim that is submitted after limited warranty period or without proper proof of purchase will not include the cost of parts, labor or delivery.
2. This Warranty shall not apply to the manufacturer's products which have been subjected to misuse, neglect, alteration, modification, or attachments, either caused by the Original Purchaser, shipping, storage, accident, fire, flood, or other natural events.

In the event of a defect in material or workmanship covered by this warranty, the manufacturer will repair or replace, at their discretion, without charge the warranted parts within a reasonable amount of time. We reserve to require the damaged parts to be returned to us upon request. Natural markings such as scars, brands, grain variations, wrinkles, color variations etc. will be considered normal characteristics and not construed as defects.

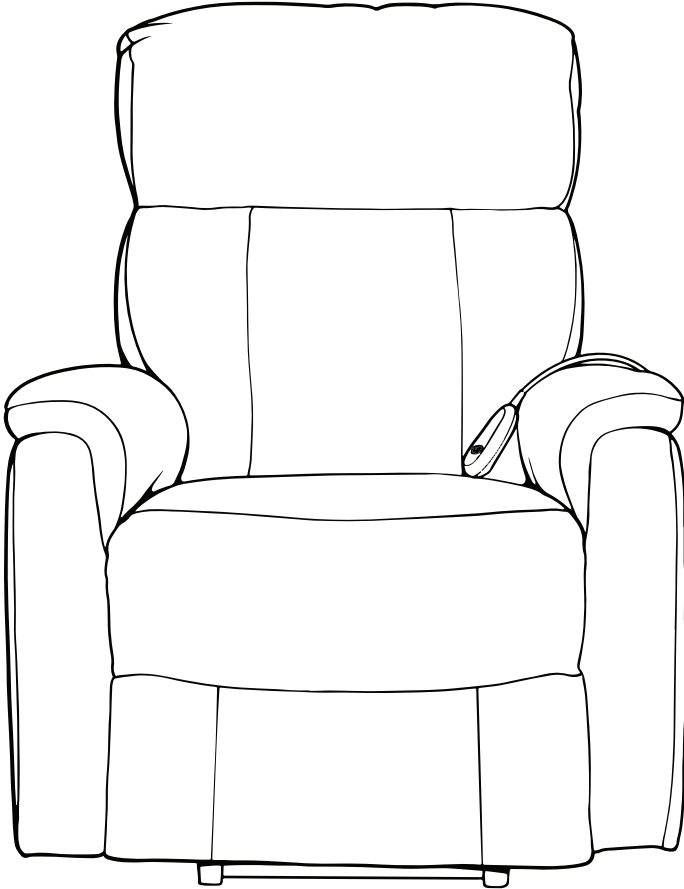
For claims or questions concerning this warranty, please contact the customer service department on the web at www.trueinnovations.com. Be prepared to provide your name, address, daytime phone number, model and purchase order number of the product, date of purchase, and the website where it was purchased. The manufacturer requires that the original sales receipt be submitted with all requests to confirm that you are the Original Purchaser according to our written warranty.

This warranty gives you specific rights; you may also have other rights varying from state to state (or country to country). All warranties are limited to the Original Purchaser for normal use.

If you prefer to speak with a service representative, call toll-free: 1 (800) 379-9773.

DISCOVER OUR COLLECTION

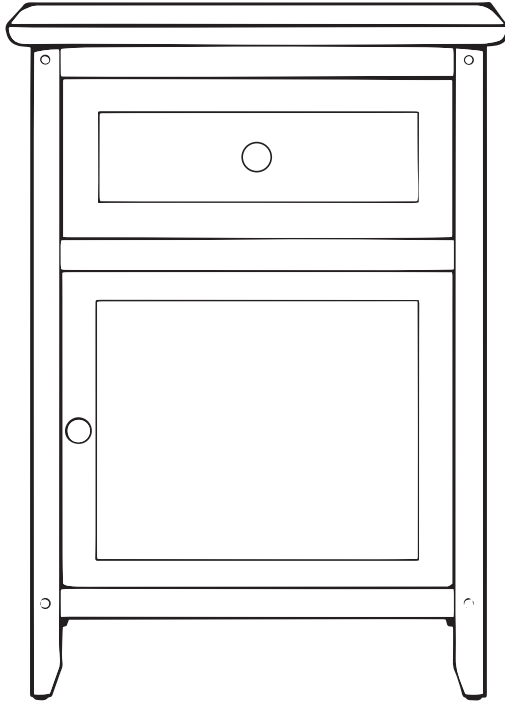
Search for "Click365" or "ClickDecor" on your favorite online stores to explore our entire collection and bring both comfort and style in your home.



CLICK365 Samson Power Lift Chair

DISCOVER OUR COLLECTION

Search for "Click365" or "ClickDecor" on your favorite online stores to explore our entire collection and bring both comfort and style in your home.



ClickDecor Alcott Side Table

(Not to scale)

CUSTOMER SERVICE

100% USA Support

Should you prefer to speak with a customer service representative, you may call toll free:

1 (800) 379-9773