

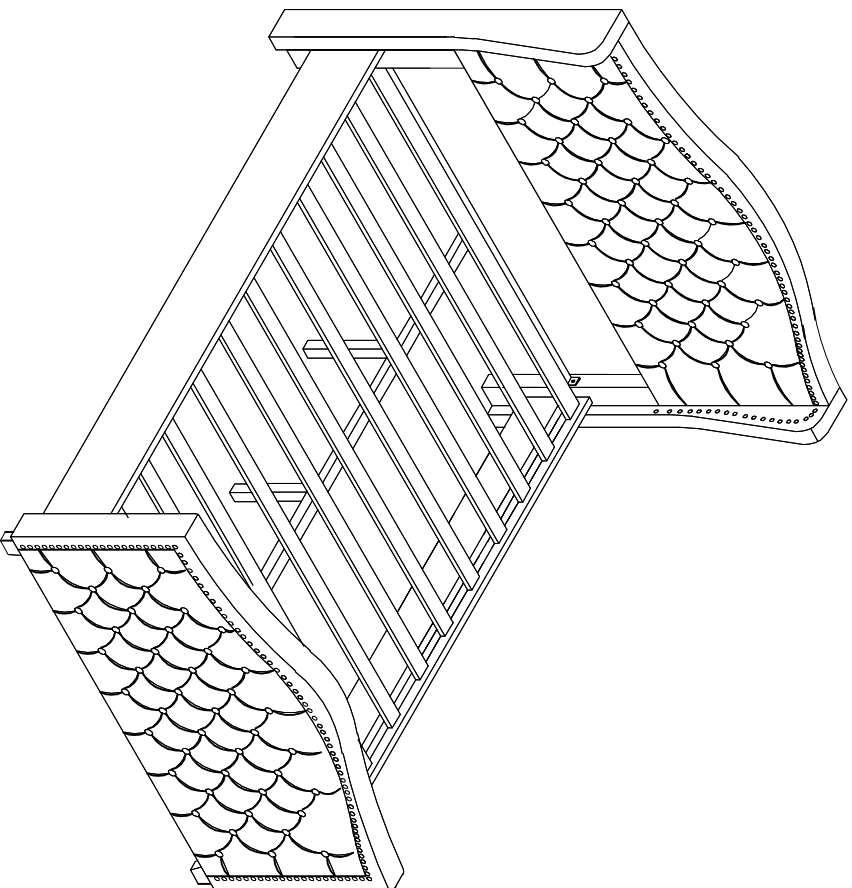
# ASSEMBLY INSTRUCTION

## ITEM NO:510&520 -QUEEN

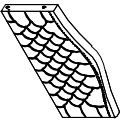
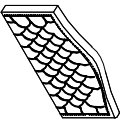
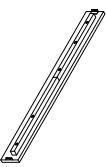
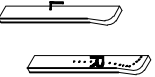
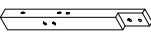

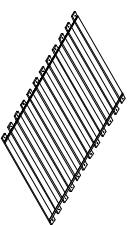
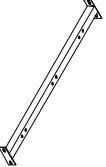
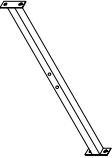
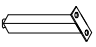
**IMPORTANT: PLACE ALL PARTS ON A CLEAN AND SMOOTH SURFACE SUCH AS A RUG OR CARPET TO AVOID THE PARTS FROM BEING SCRATCHED**

**KINDLY FOLLOW THE ASSEMBLY INSTRUCTIONS STEP**





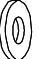





**DO NOT TIGHTEN ALL SCREWS UNTIL THE BED IS FULLY SET-UP**



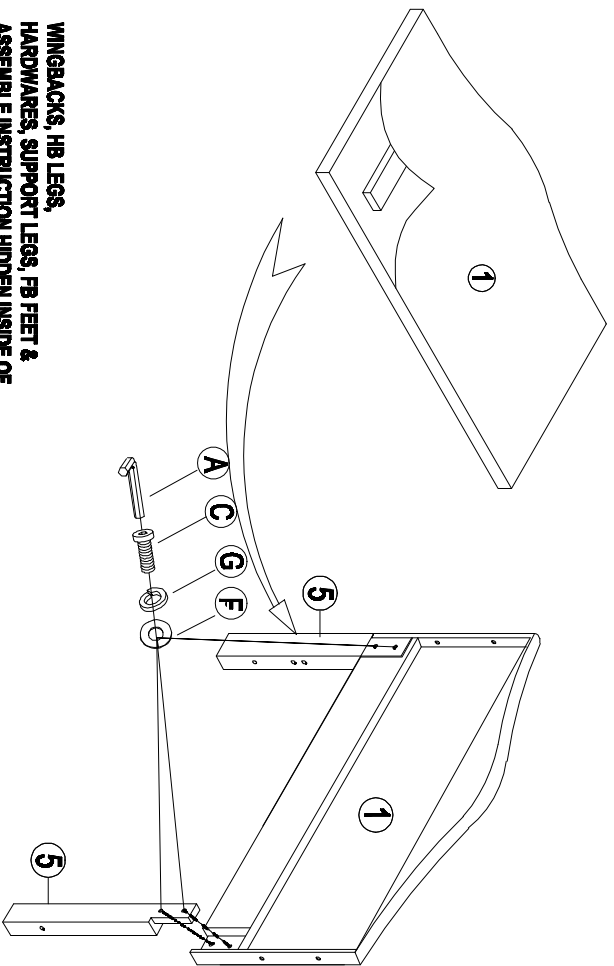
### PARTS LIST:

 ① Headboard=1pc	 ② Footboard=1pc	 ③ Side Rail=2pcs	 ④ Wingback=2pcs
 ⑤ HB Leg=2pcs	 ⑥ FB Feet=2pcs	 ⑦ Slats=12pcs	 ⑧ Support rail=1pc
 ⑨ Crossband=1pc	 ⑩ Support Leg=3pcs		

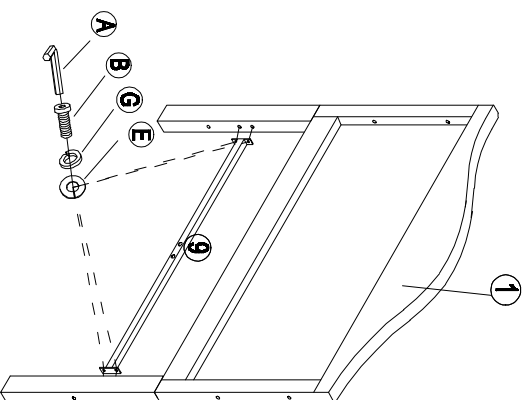
### HARDWARE LIST:

 ① Allen Key=1pc	 ② Bolt $\frac{1}{8}$ "x1-1/2"=14pcs	 ③ Bolt $\frac{1}{8}$ "x2"=18pcs	 ④ Bolt $\frac{1}{8}$ "x4"=2pcs
 ⑤ Flat Washer $\frac{5}{16}$ "x19=50pcs	 ⑥ Flat Washer $\frac{5}{16}$ "x22=10pcs	 ⑦ Spring Washer=28pcs	 ⑧ screw 10mmx1- $\frac{1}{4}$ "=24pcs
 ⑨ Nut=4pcs	 ⑩ Wrench=1pc		

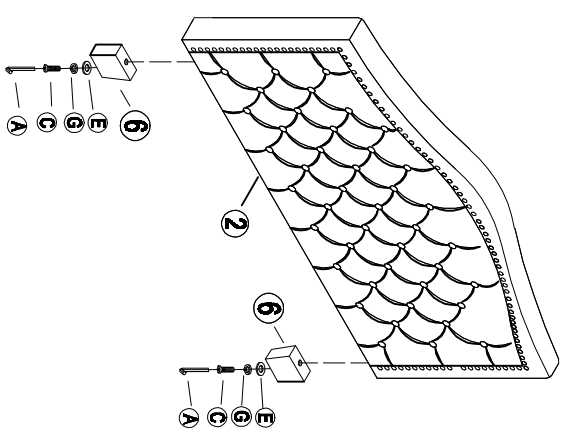
STEP 1



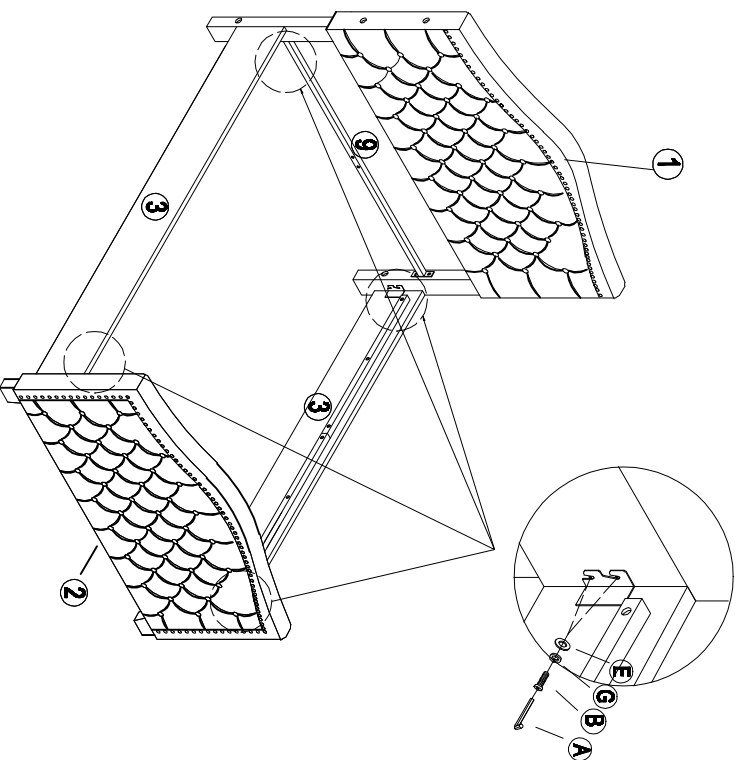
STEP 2



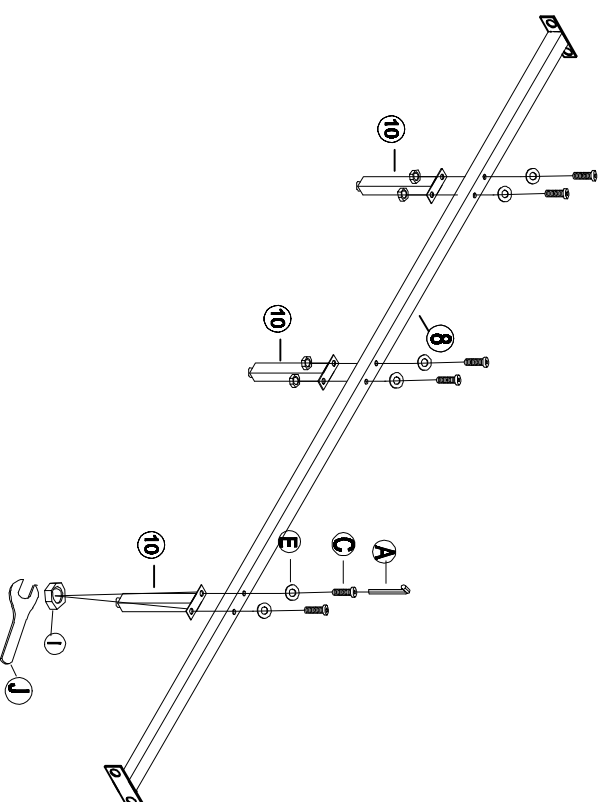
STEP 3



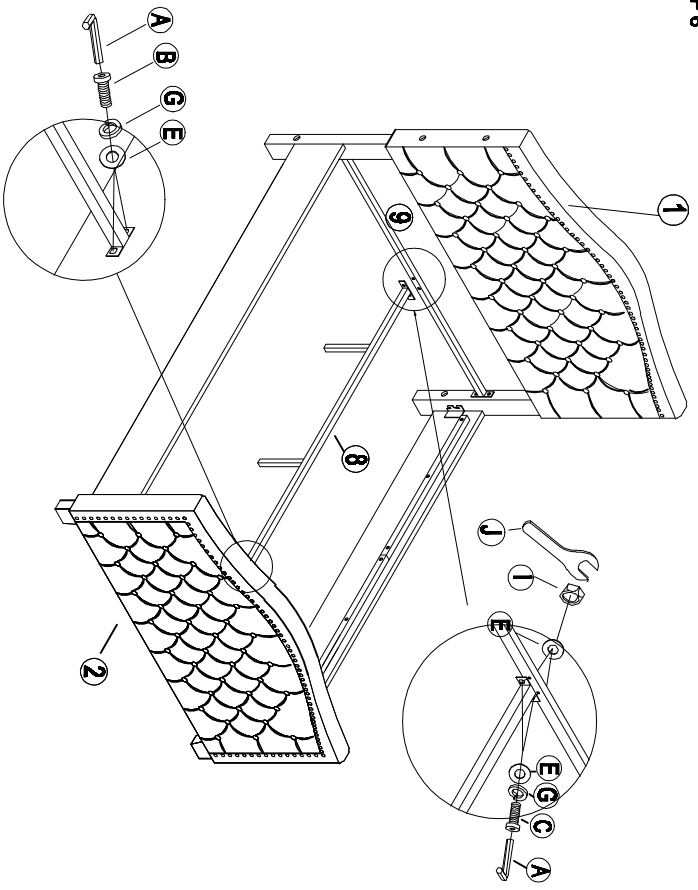
STEP 4



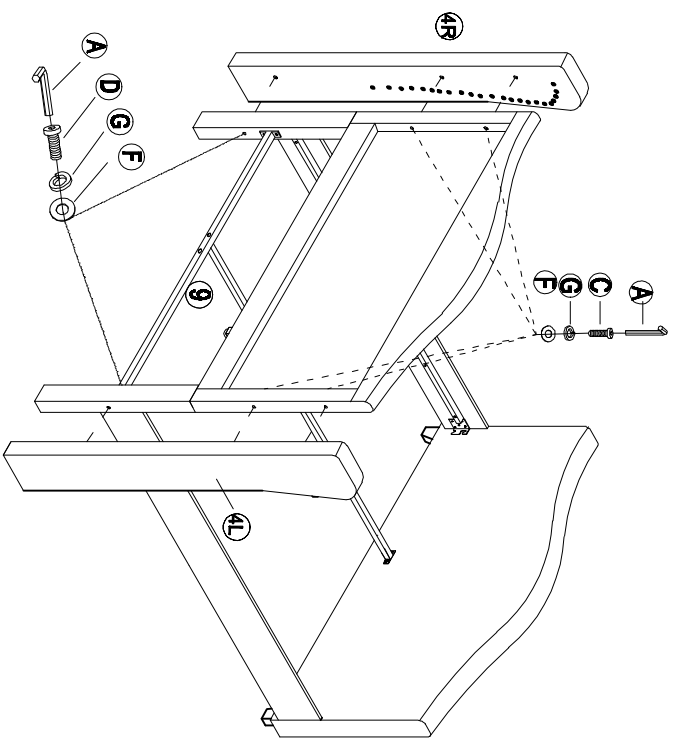
STEP 5



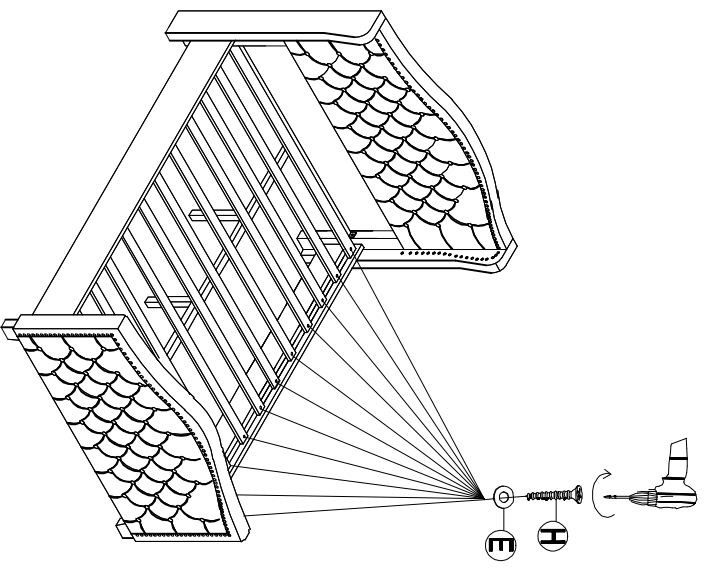
STEP 6



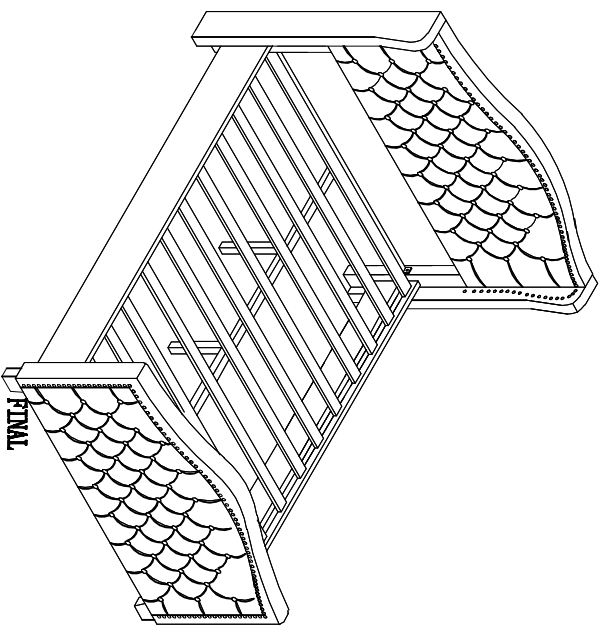
STEP 7



STEP 8



STEP 9



FINAL