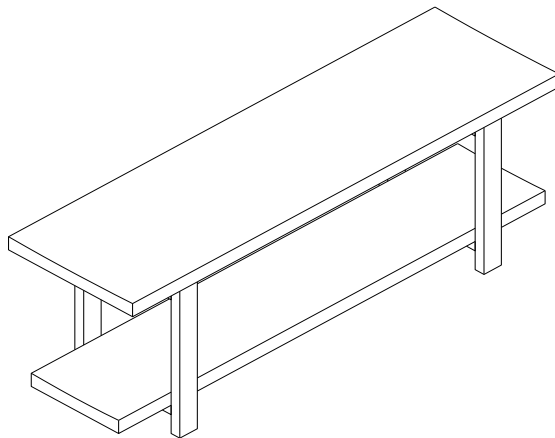


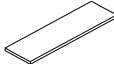

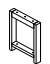



Bench



Thank you for purchasing our Bench. **We have found it helpful to have a second person present in at least one step of the assembly.**

Assembly Instructions

Lay out all parts on a "non-abrasive" surface to avoid scratching furniture.

NO.	DRAWING	DESCRIPTION	QTY.
A		TOP	1
B		SHELF	1
C		SIDE PANEL	2
NO.	DRAWING	DESCRIPTION	QTY.
D		M6*70mm BOLT	6
E		M6*45mm BOLT	4
F		WRENCH	1

Step 1

Read through these instructions thoroughly before beginning assembly. We have found this to be of great value when first assembling this product.

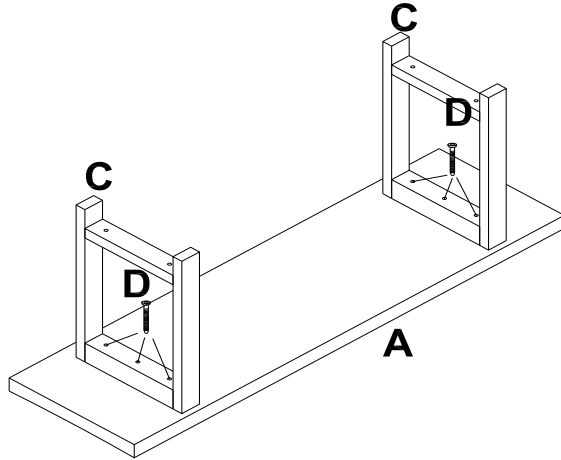
Step 2

Remove all parts and hardware from packing material. Wooden pieces should be placed on a non

abrasive surface (like the carton or carpet) to prevent damage to the finish.

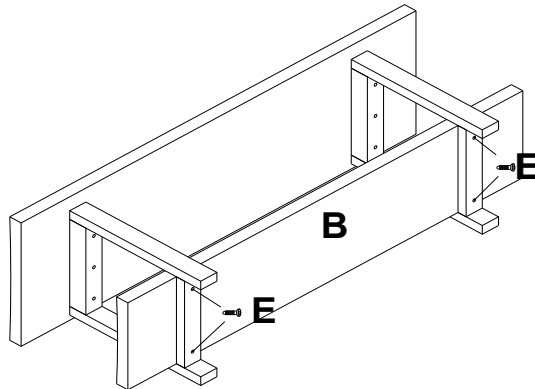
Step 3

Lay Top (A) upside down and attach 2 Side Panels (C) by using 6 6M x 70mm Bolts (D).
DO NOT TIGHTEN FIRMLY AT THIS TIME.



Step 4

Note: It will help to have a second person at this time to assist in assembly.
Lay on side and attach Shelf (B) to Side Panels (C) using 4 6M x 45mm Bolts (E).

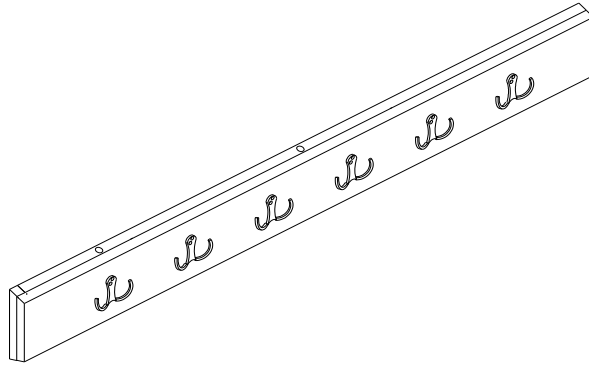


TIGHTEN ALL BOLTS FIRMLY AT THIS TIME.

CARE

Clean with mild soap and wipe dry.

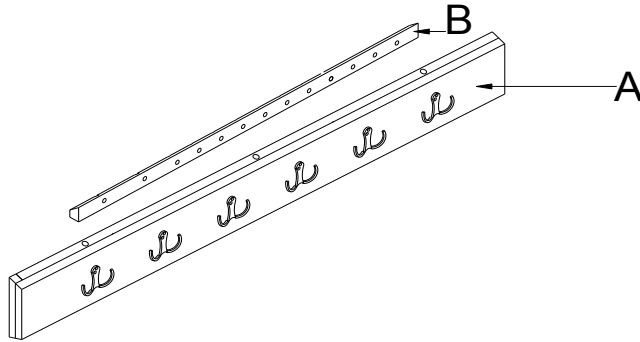
Coat Hooks



Thank you for purchasing our Coat Hooks. Assembly of this product requires a screwdriver. We have found it helpful to have a second person present in at least one step of the assembly.

Coat Hooks Assembly Instructions

Lay out all parts on a "non-abrasive" surface to avoid scratching furniture.



NO.	DRAWING	DESCRIPTION	Q'TY
A		HOOK PLATE	1
B		FRENCH CLEAT	1
C		WOOD SCREW 4*50	4

PARTS

Step 1

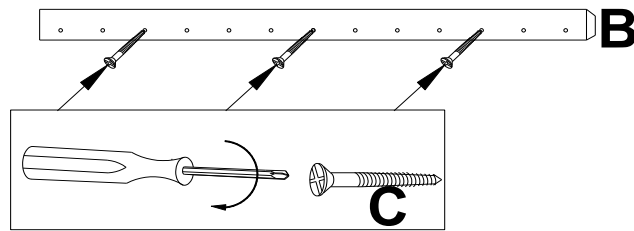
Read through these instructions thoroughly before beginning assembly. We have found this to be of great value when first assembling this product.

Step 2

Remove all parts and hardware from packing material. Wooden pieces should be placed on a non abrasive surface (like the carton or carpet) to prevent damage to the finish. Note the French Cleat (B) is pre-installed on the back of the Hook Plate (A) with 3 of the Wood Screws (C).

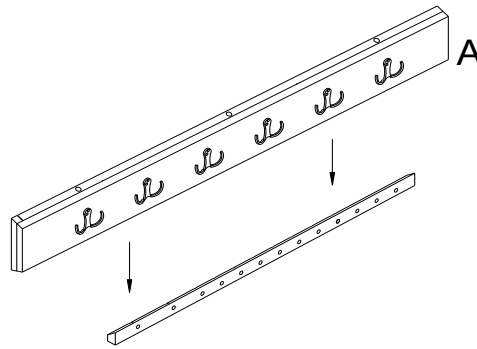
Step 3

Remove the French Cleat (B) from the back of the Hook Plate (A) by unscrewing 3 of the pre-installed Wood Screws (C) on the top of the Hook Plate (B). Locate studs behind drywall in desired location. Attach French Cleat (B) to wall studs with 2 Wood Screws (C).



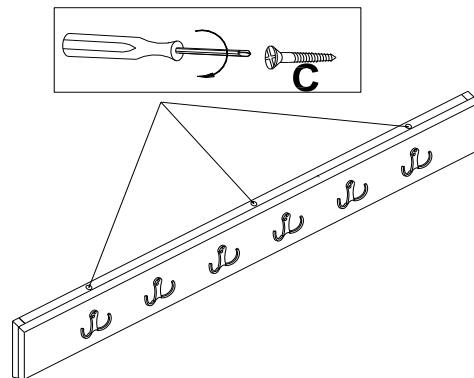
Step 4

Set Hooks Plate (A) on French Cleat (B).



Step 7

Attach Hook Plate (A) to French Cleat (B) with 3 Wood Screws (C).



CARE

Clean with mild soap and wipe dry.