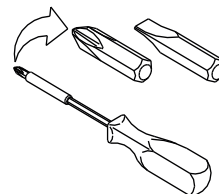
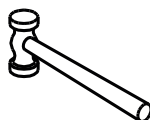
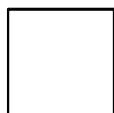


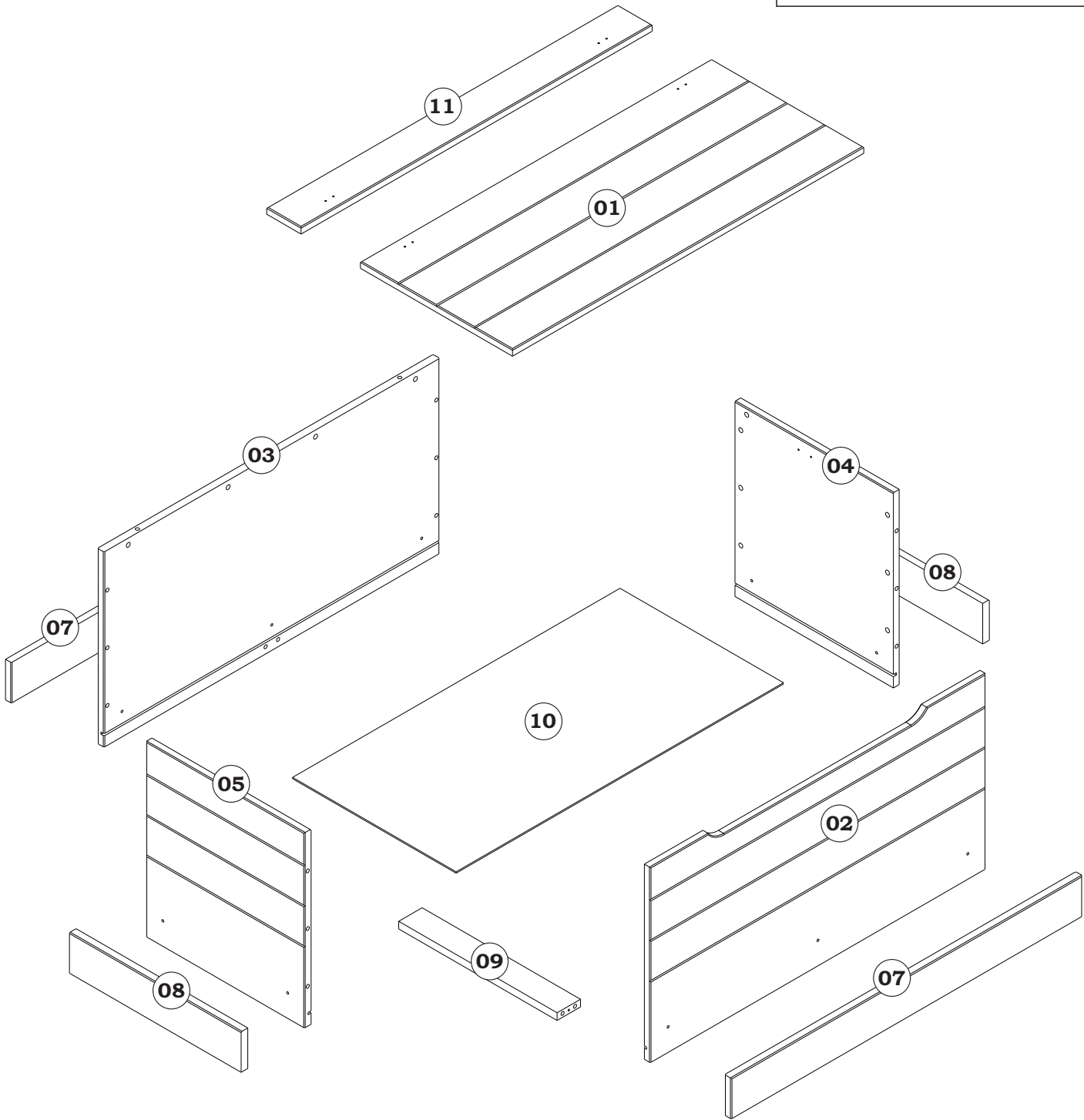
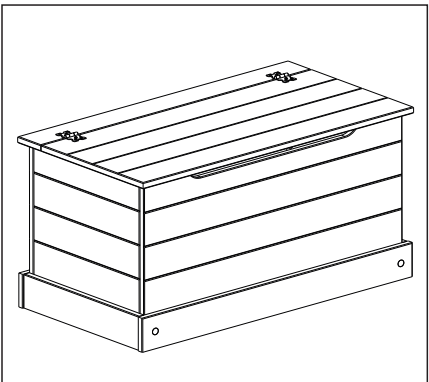
Width = 900mm
Depth = 480mm
Height = 450mm






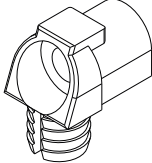
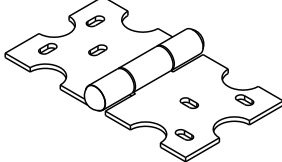
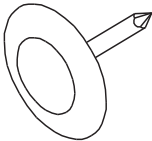
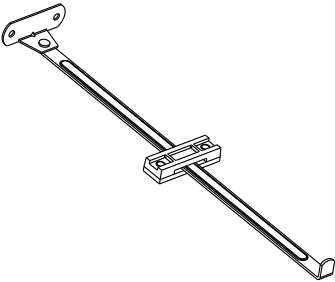


2m x 2m

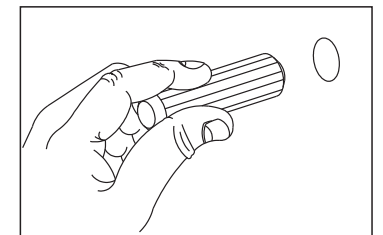
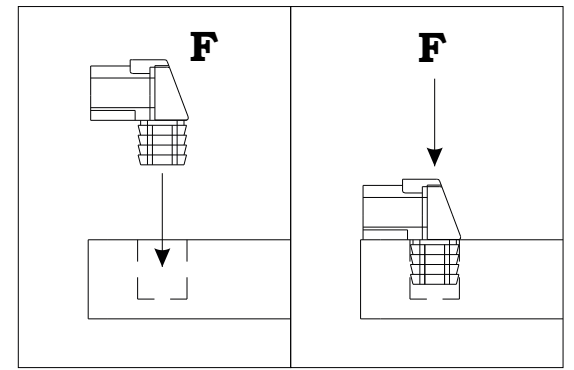
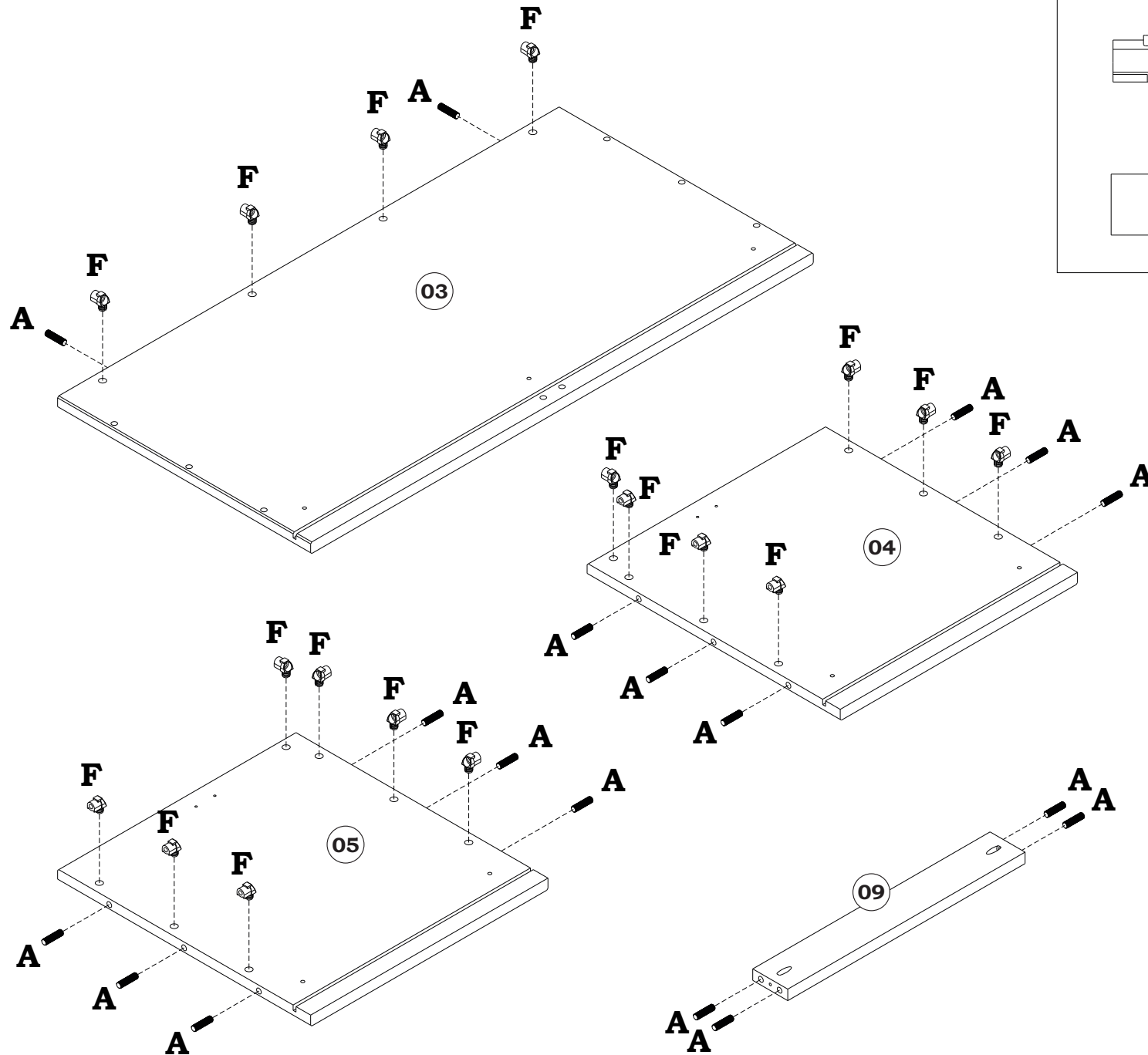


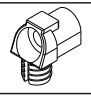
0:60h




A	 $\text{Ø}8,0 \times 30 \text{mm}$	18
B	 $\text{Ø}4,0 \times 25 \text{mm}$	18
C	 $\text{Ø}3,5 \times 30 \text{mm}$	12
D	 $\text{Ø}3,5 \times 16 \text{mm}$	16
E	 $\text{Ø}4,0 \times 20 \text{mm}$	04
F		18
G		02
H		02
I	 250mm	02

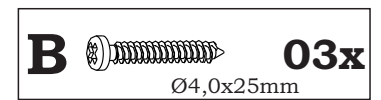
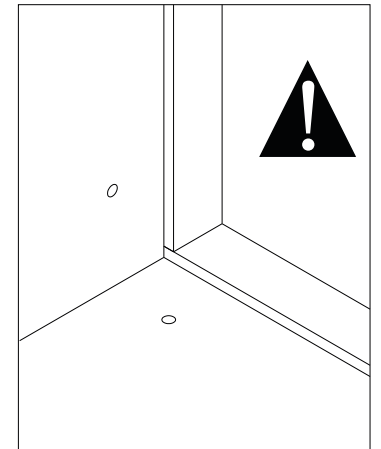
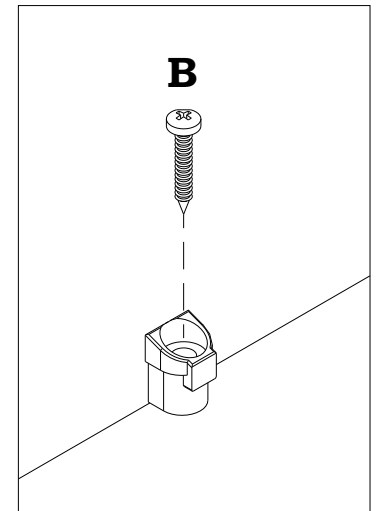
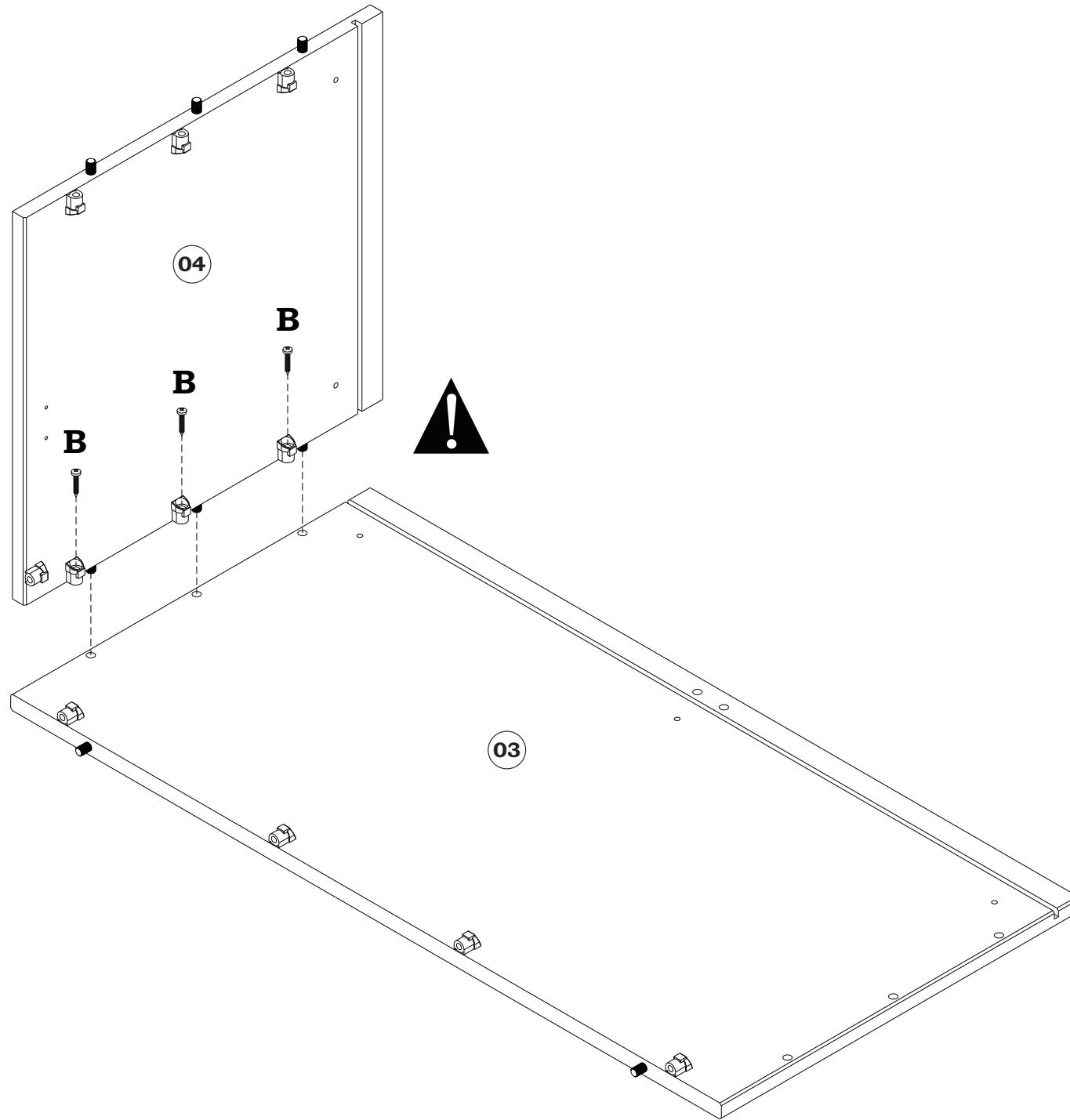
01



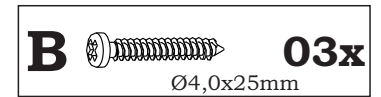
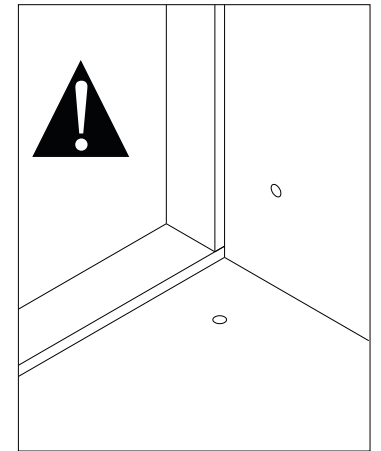
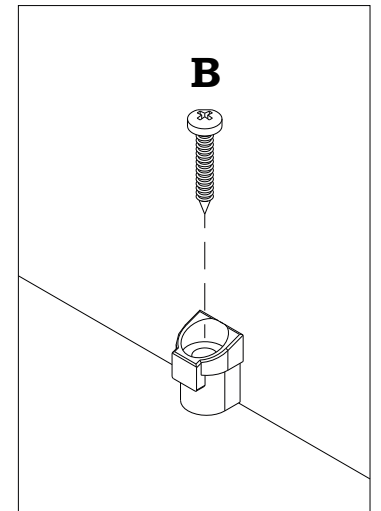
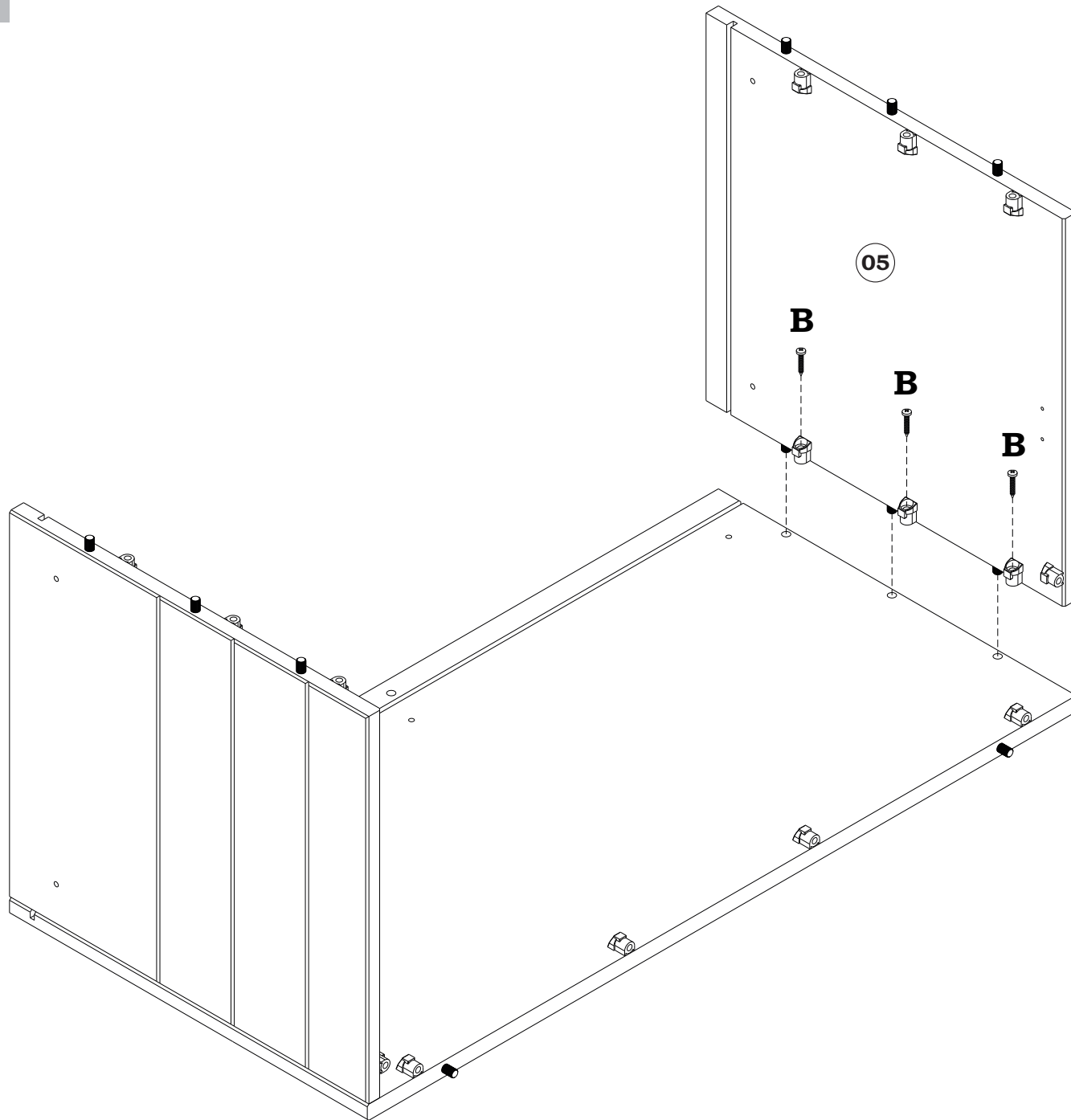
F  **18x**

A  **18x**
Ø8,0x30mm

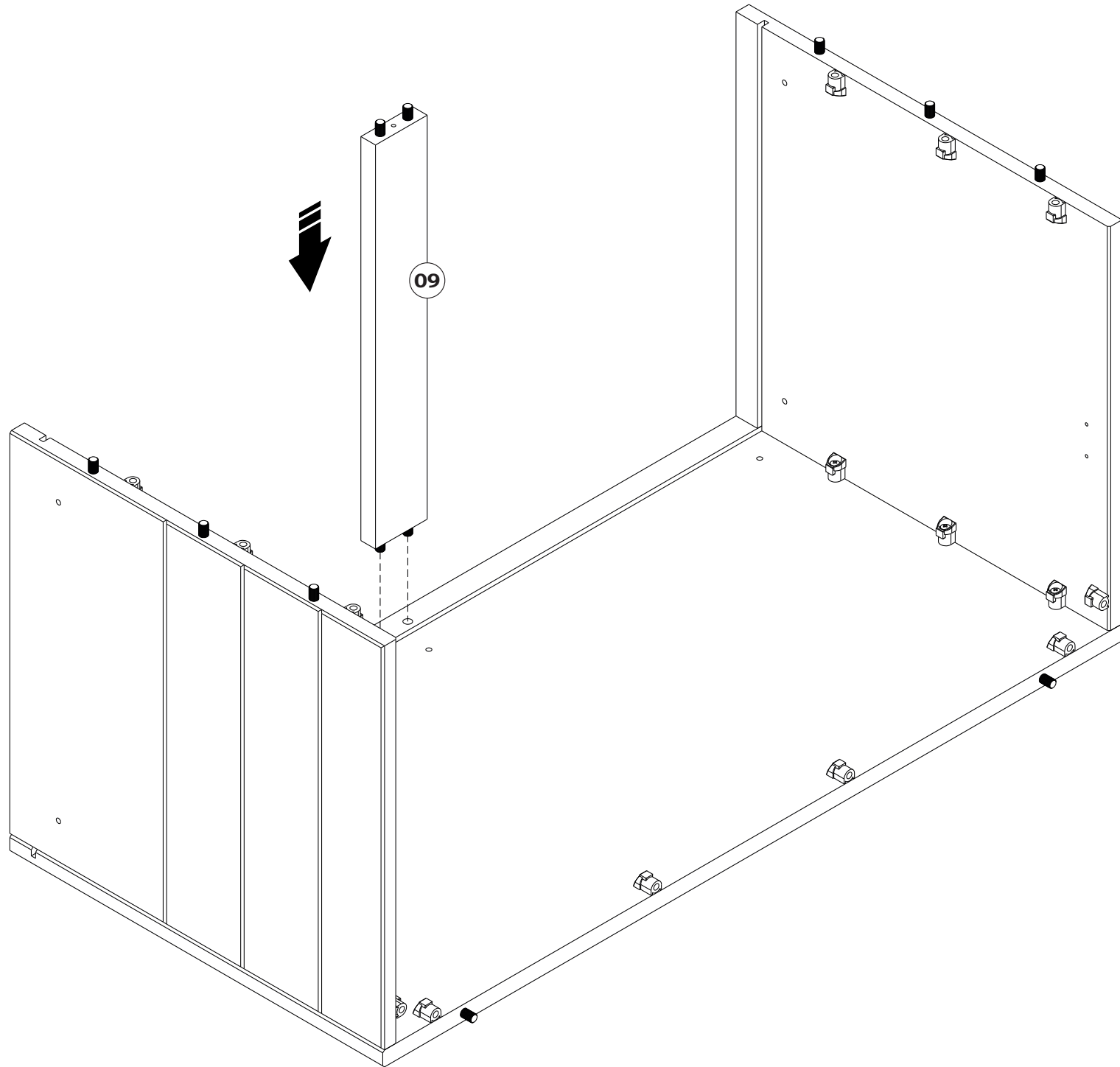
02



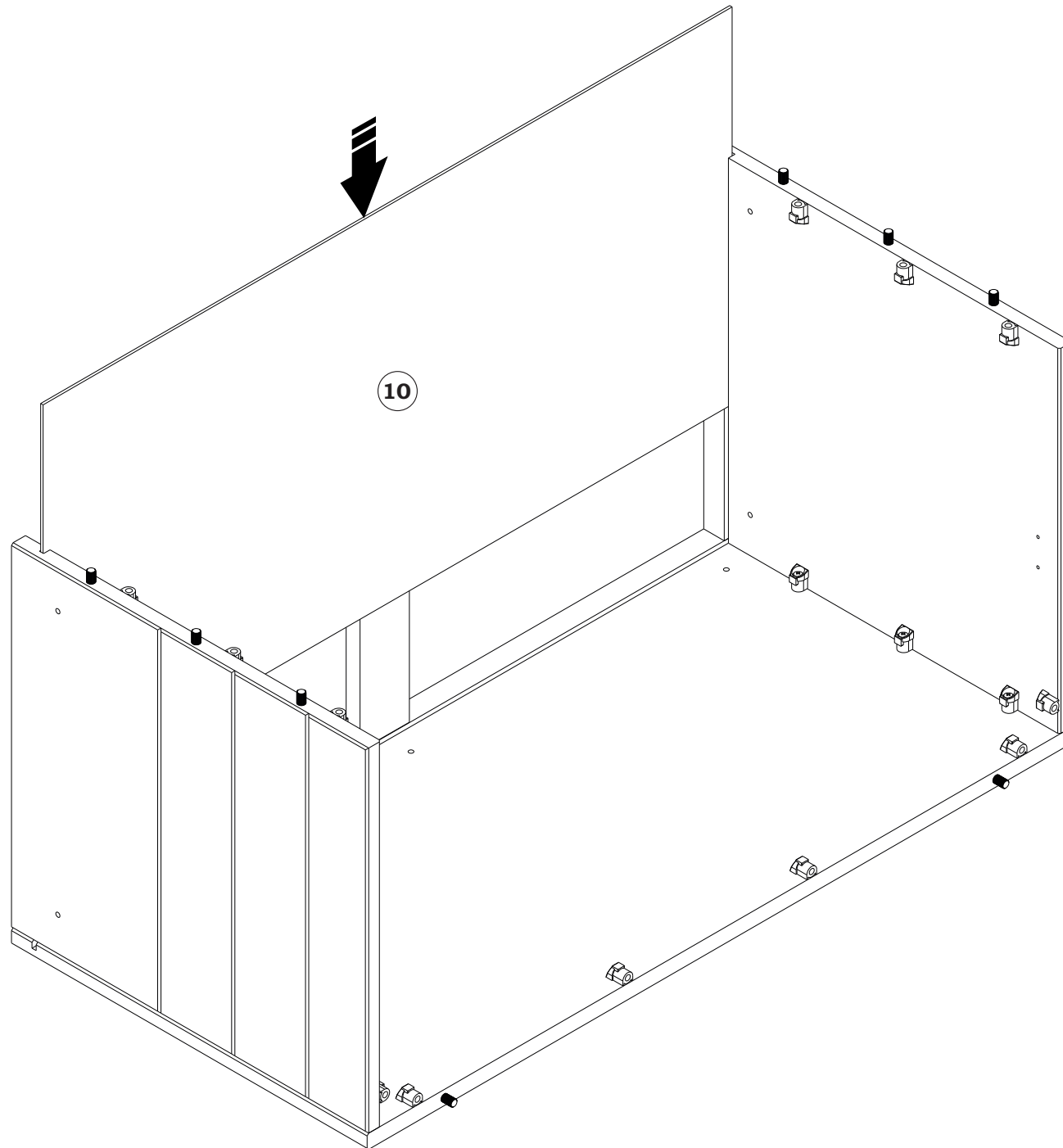
03



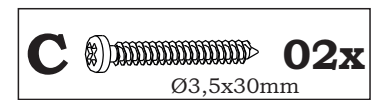
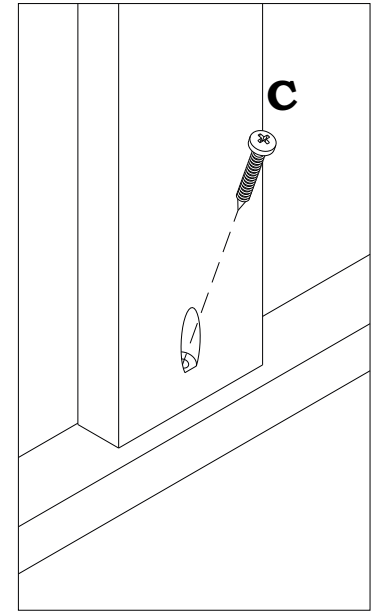
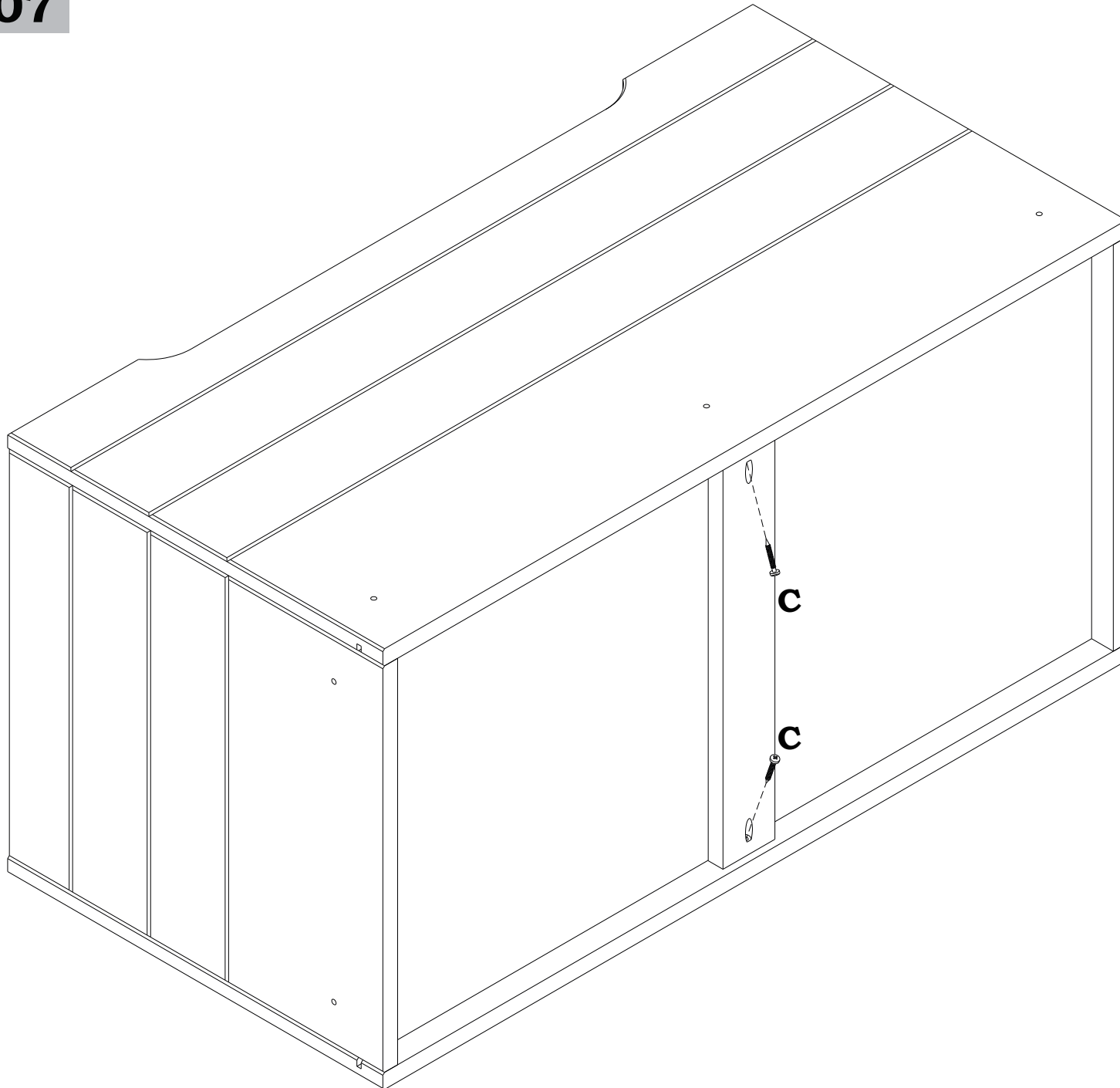
04



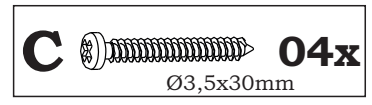
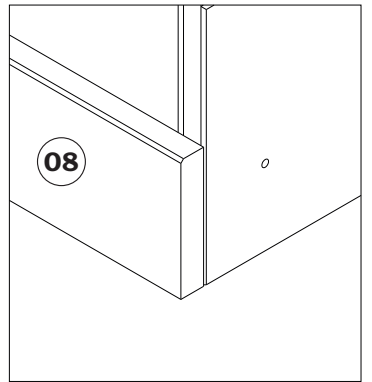
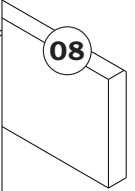
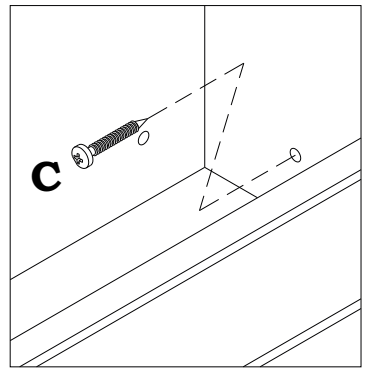
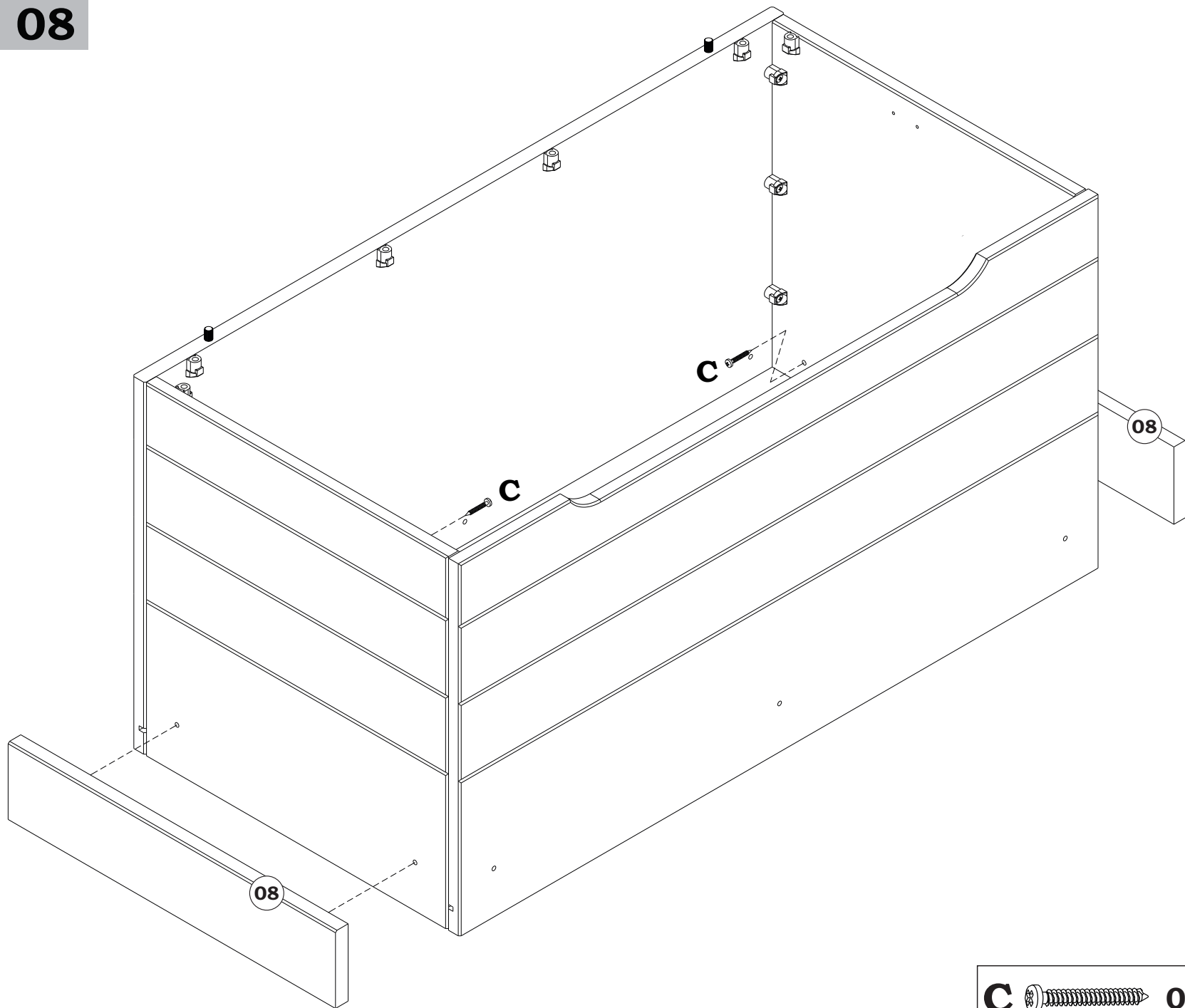
05



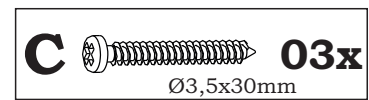
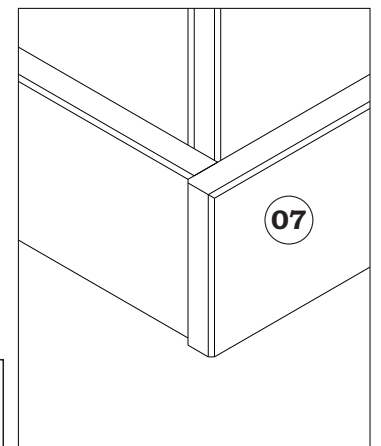
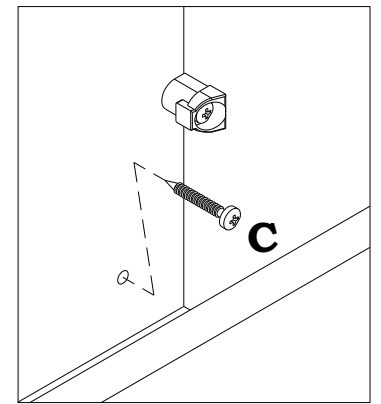
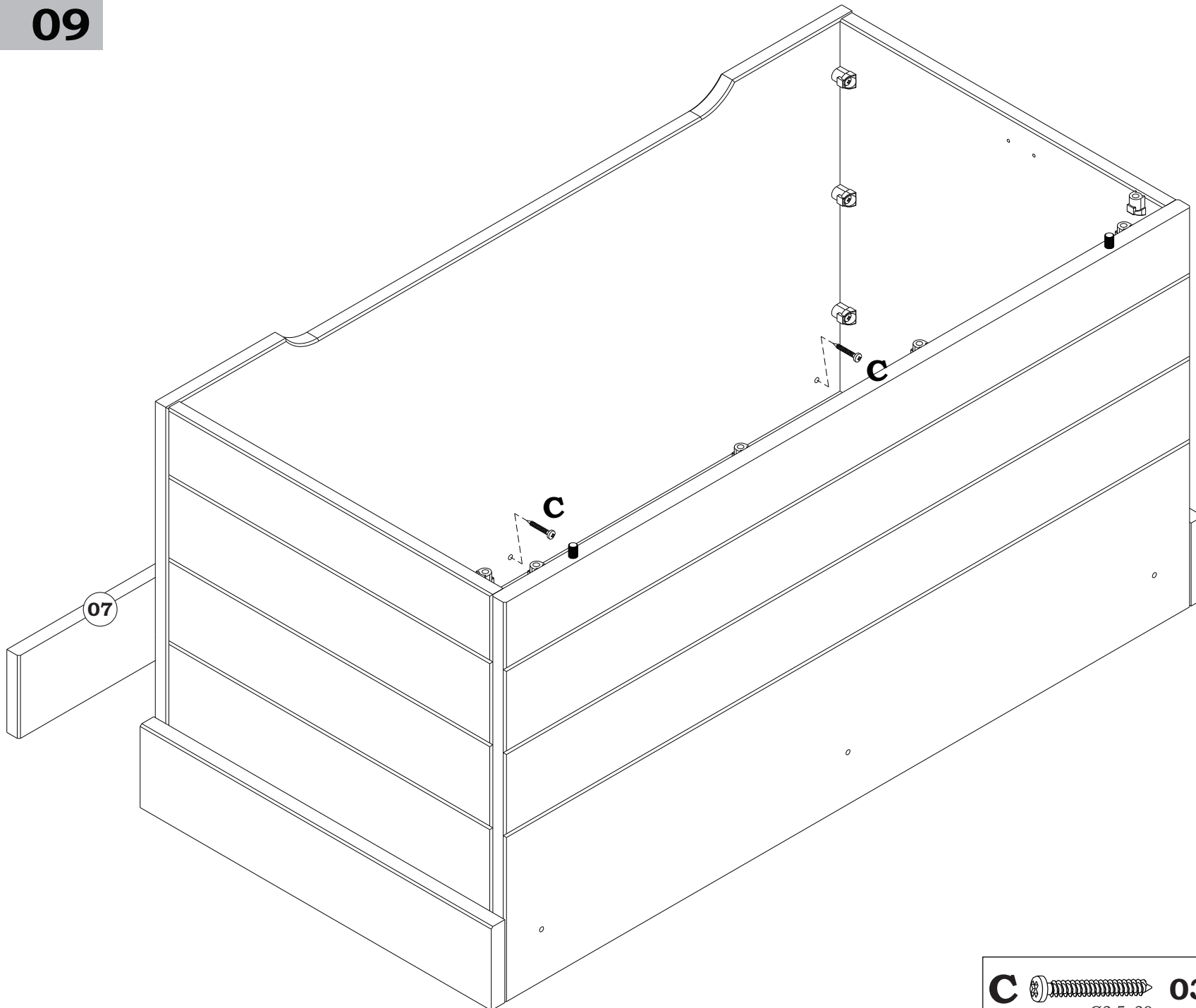
07



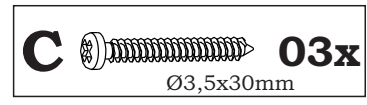
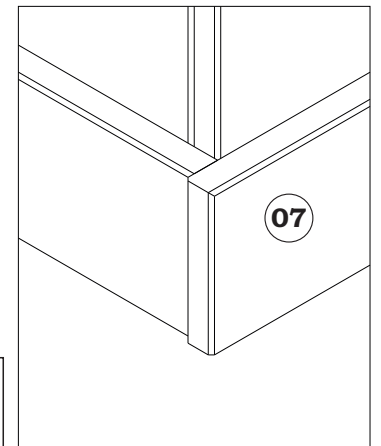
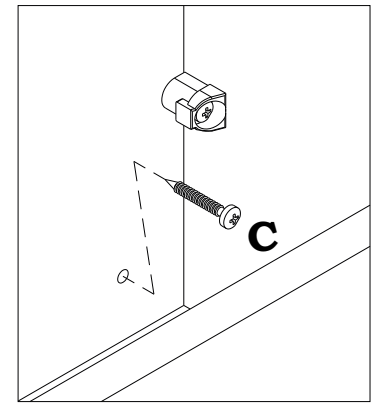
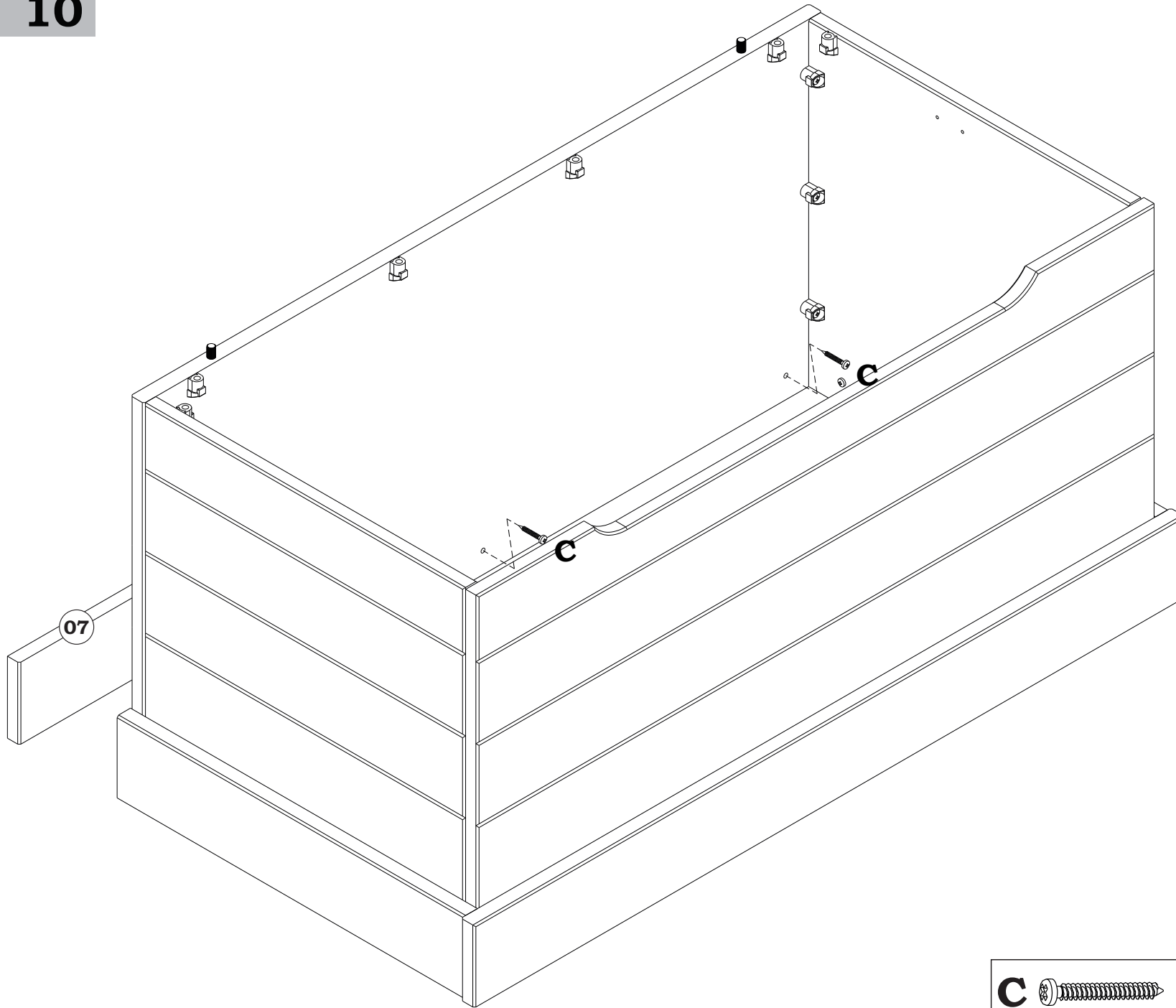
08



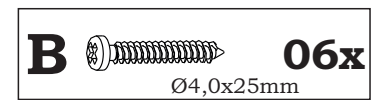
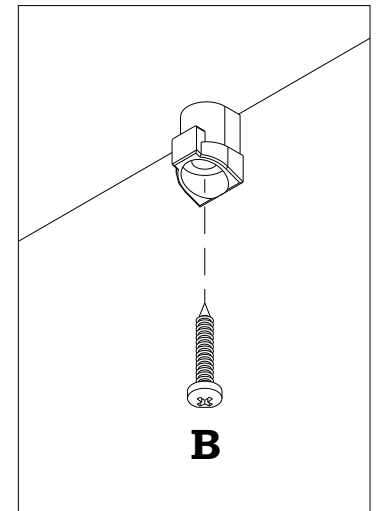
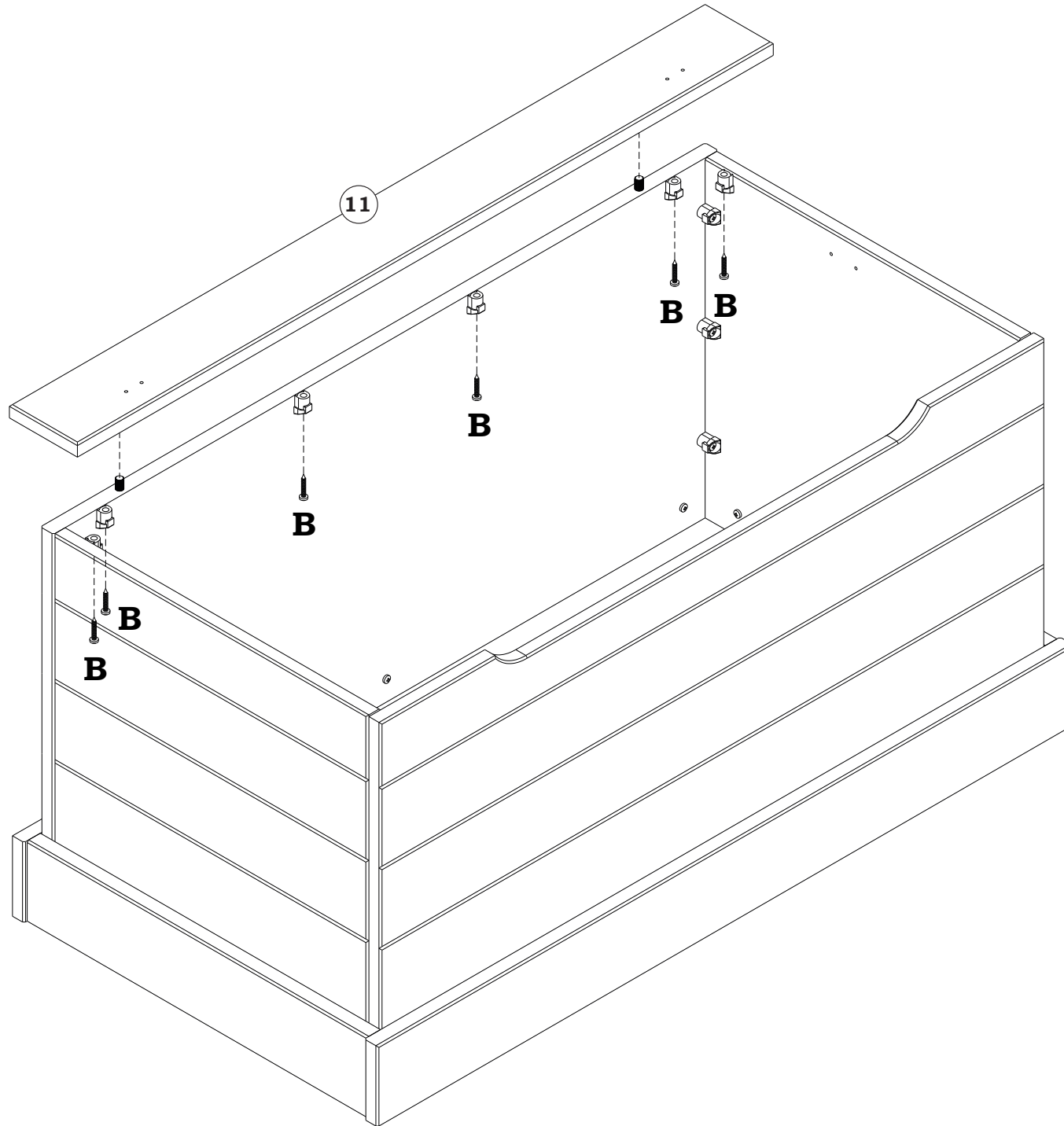
09



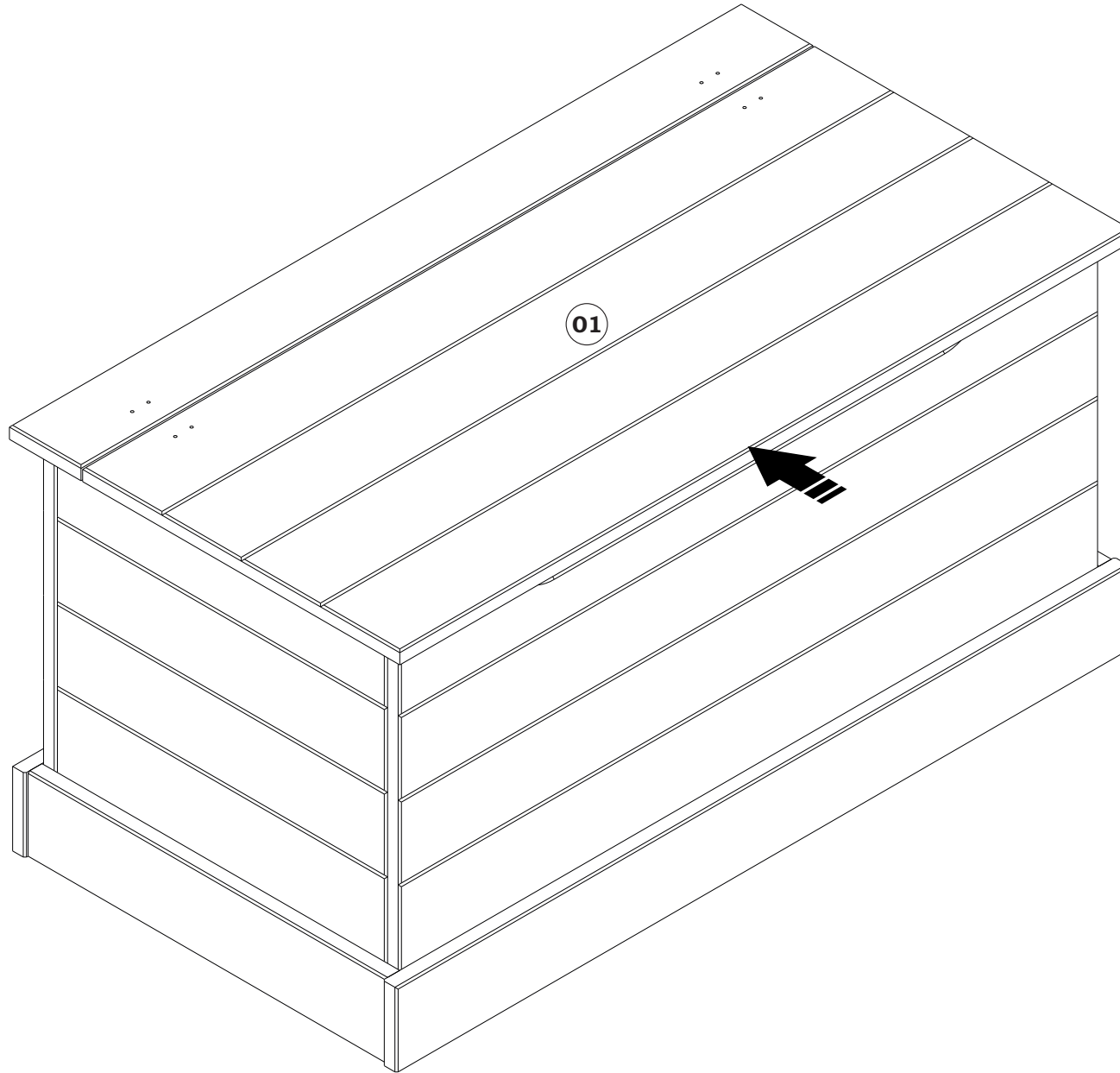
10



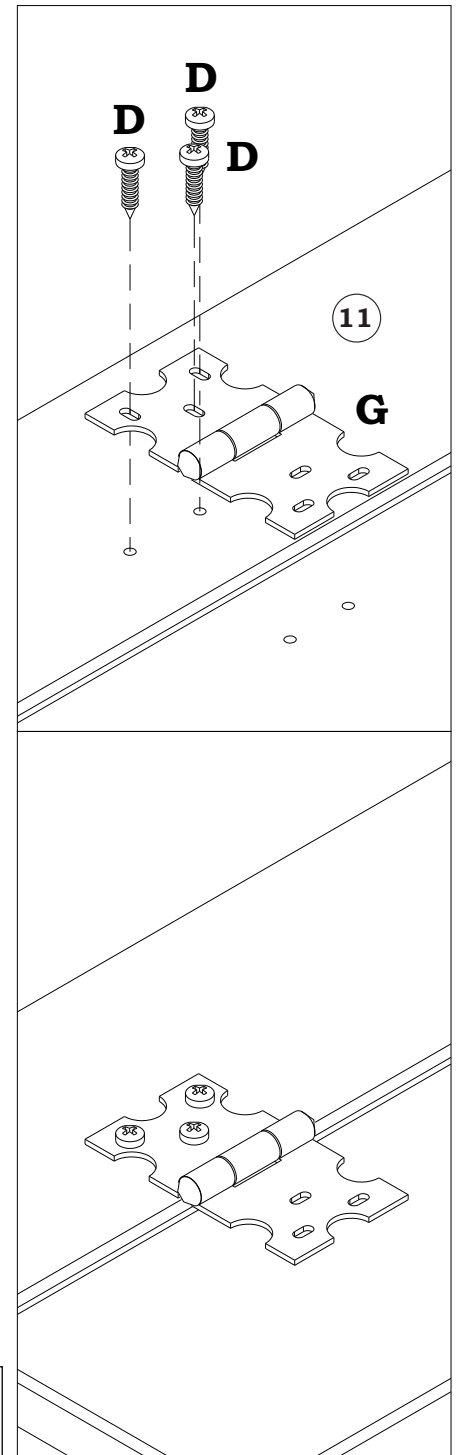
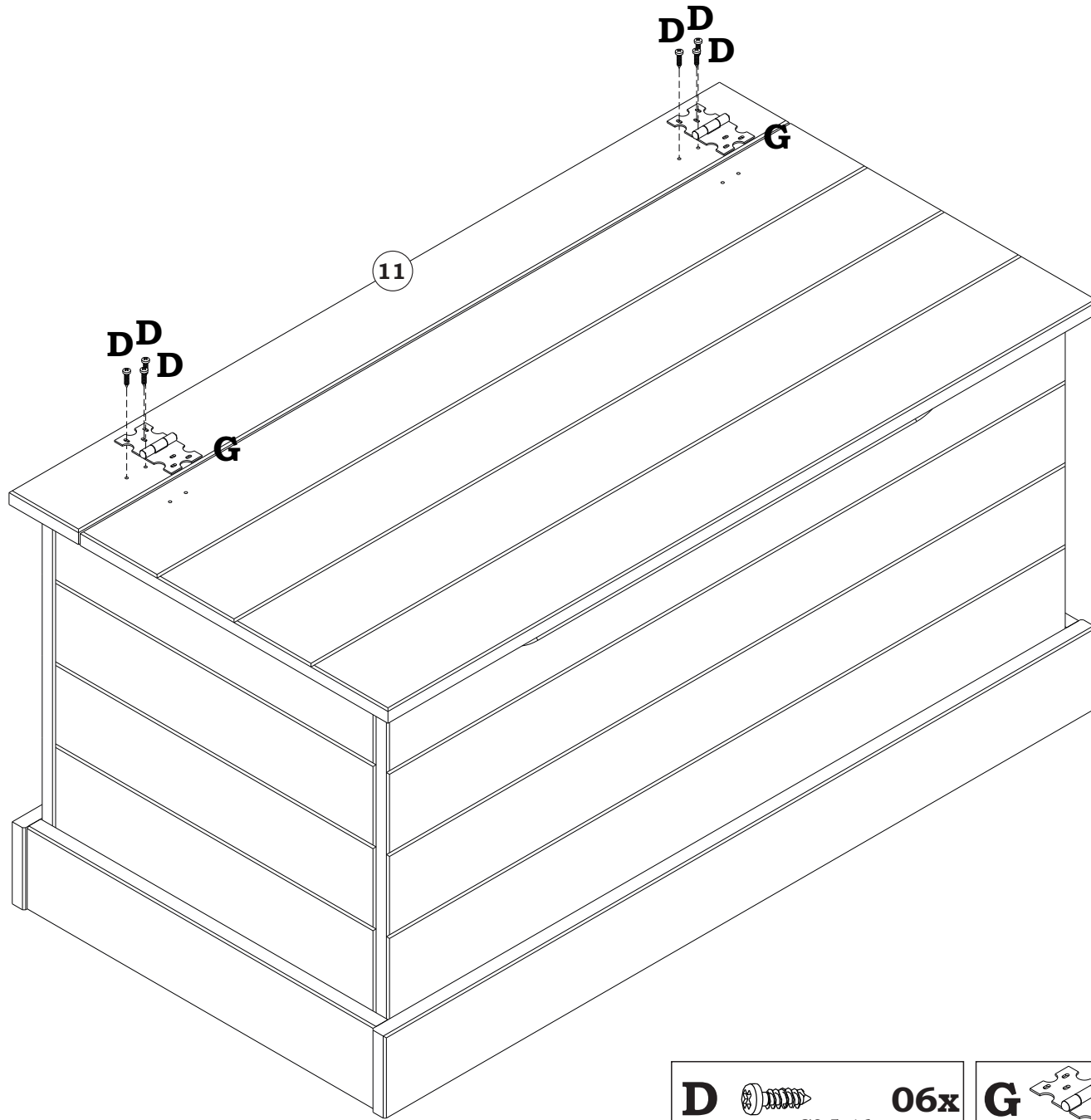
11



12

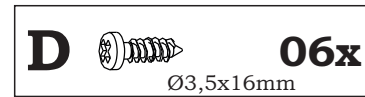
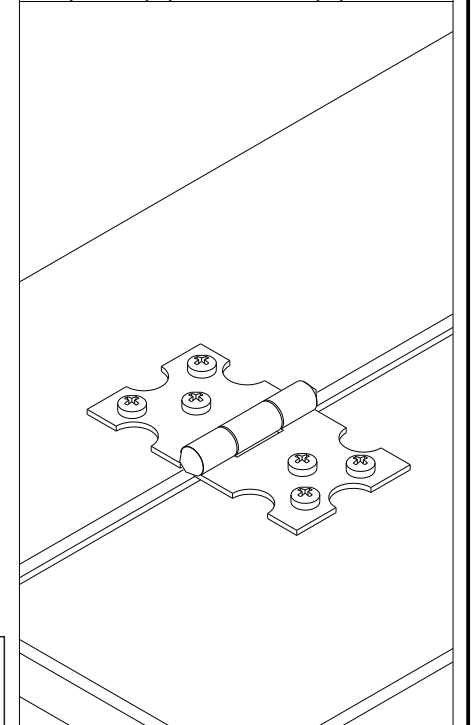
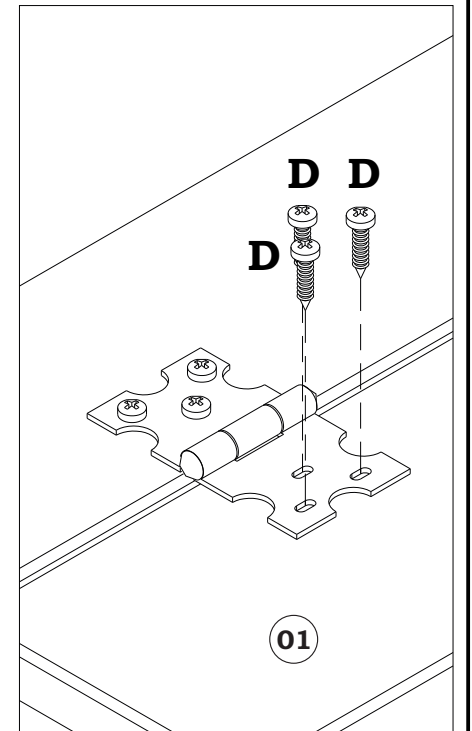
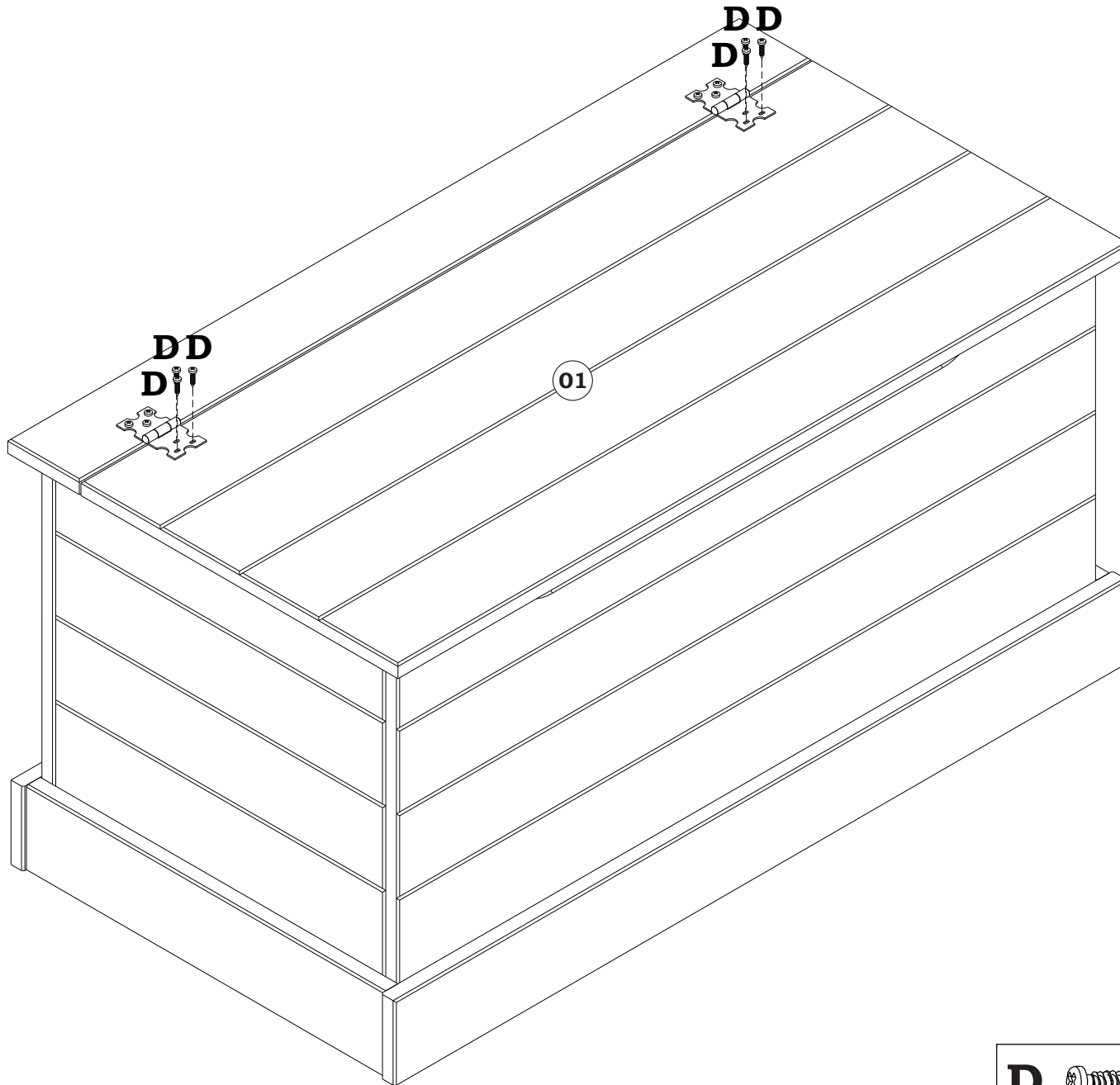


13

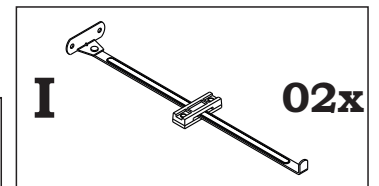
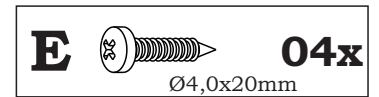
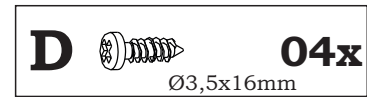
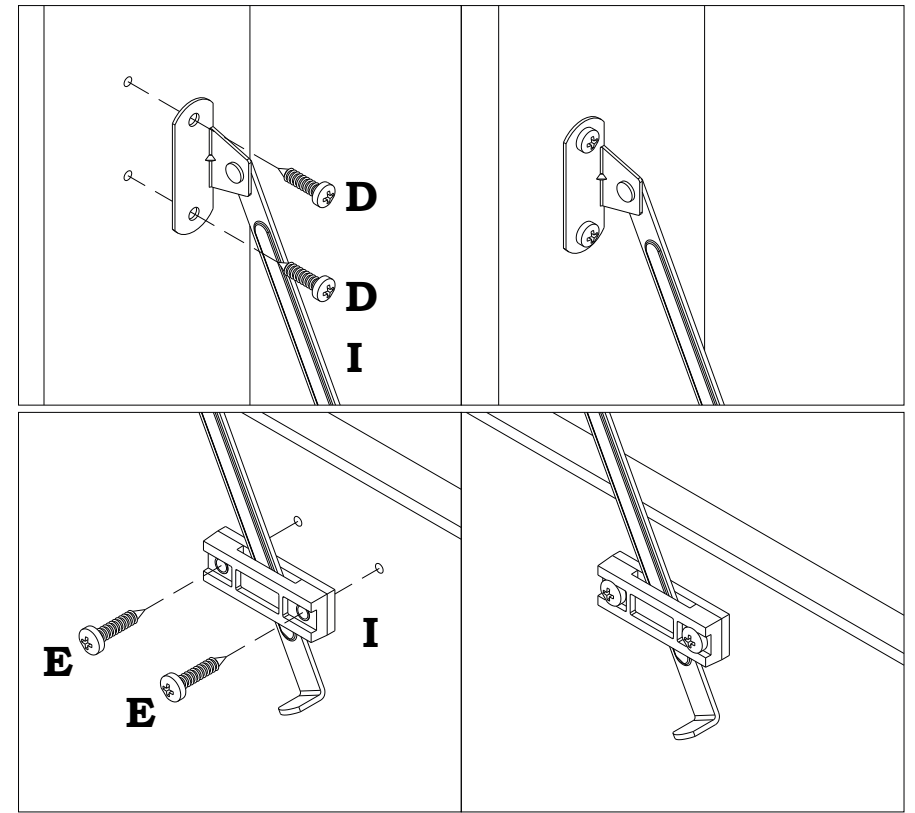
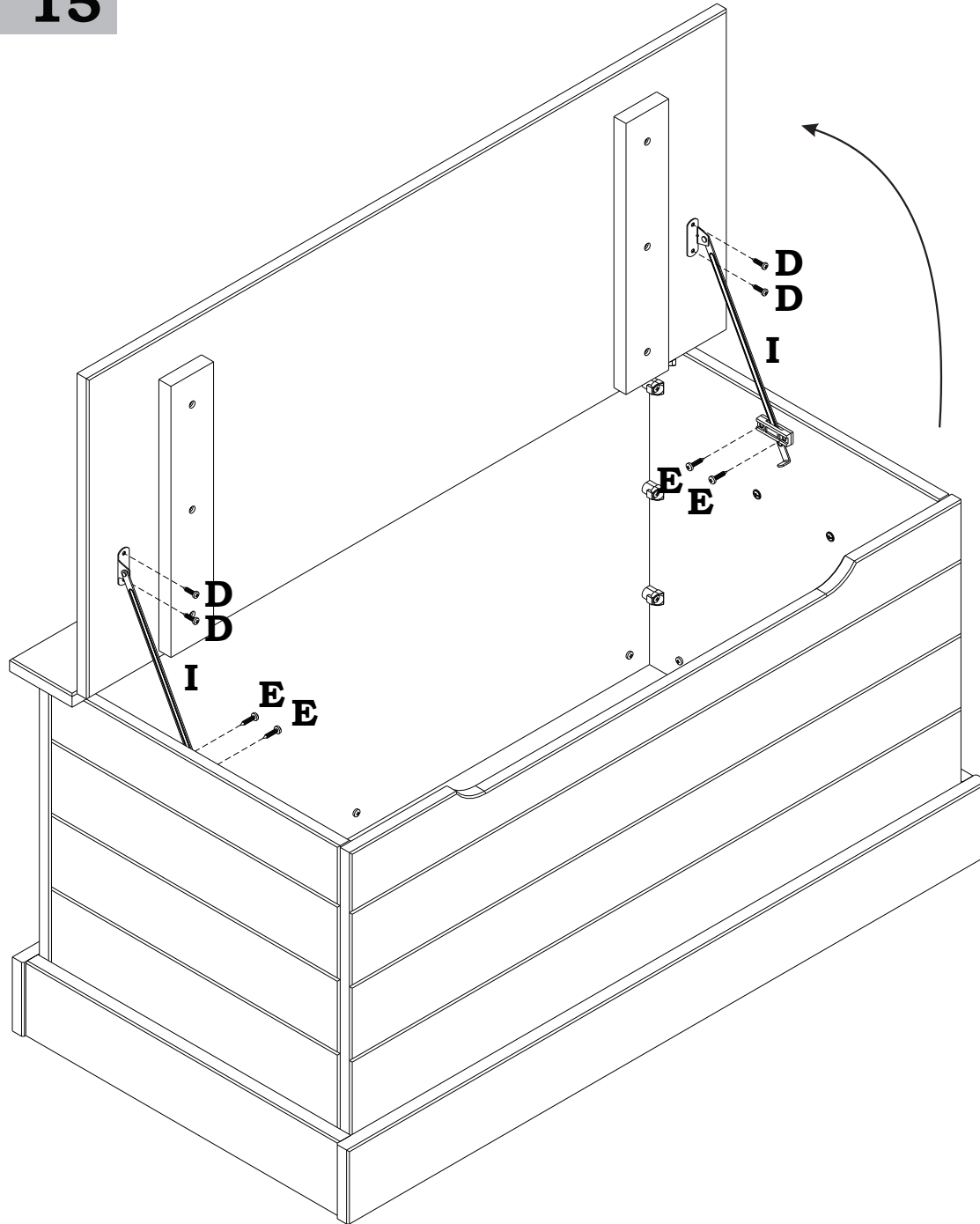


D		06x Ø3,5x16mm	G		02x black
----------	---	-------------------------	----------	---	---------------------

14



15



16

H



02x

